



US00D860889S

(12) **United States Design Patent** (10) **Patent No.:** **US D860,889 S**
Ninov et al. (45) **Date of Patent:** **** Sep. 24, 2019**

(54) **VEHICLE HOOD**

(56) **References Cited**

(71) Applicants: **Deyan Ninov**, Royal Oak, MI (US);
Michael Gillam, Oxford, MI (US);
Gregory A Howell, Farmington, MI (US)

U.S. PATENT DOCUMENTS

D709,412 S * 7/2014 Mays D12/173
D808,311 S * 1/2018 Piscitelli D12/173
D823,196 S * 7/2018 Behmer D12/173
D826,804 S * 8/2018 Buck D12/173

(72) Inventors: **Deyan Ninov**, Royal Oak, MI (US);
Michael Gillam, Oxford, MI (US);
Gregory A Howell, Farmington, MI (US)

* cited by examiner

Primary Examiner — Melody N Brown

(74) *Attorney, Agent, or Firm* — Ralph E. Smith

(73) Assignee: **FCA US LLC**, Auburn Hills, MI (US)

(**) Term: **15 Years**

(57) **CLAIM**

(21) Appl. No.: **29/673,657**

The ornamental design for a vehicle hood, as shown and described.

(22) Filed: **Dec. 17, 2018**

DESCRIPTION

Related U.S. Application Data

(63) Continuation-in-part of application No. 29/626,566, filed on Nov. 17, 2011, now Pat. No. Des. 836,036.

(51) **LOC (12) Cl.** **12-16**

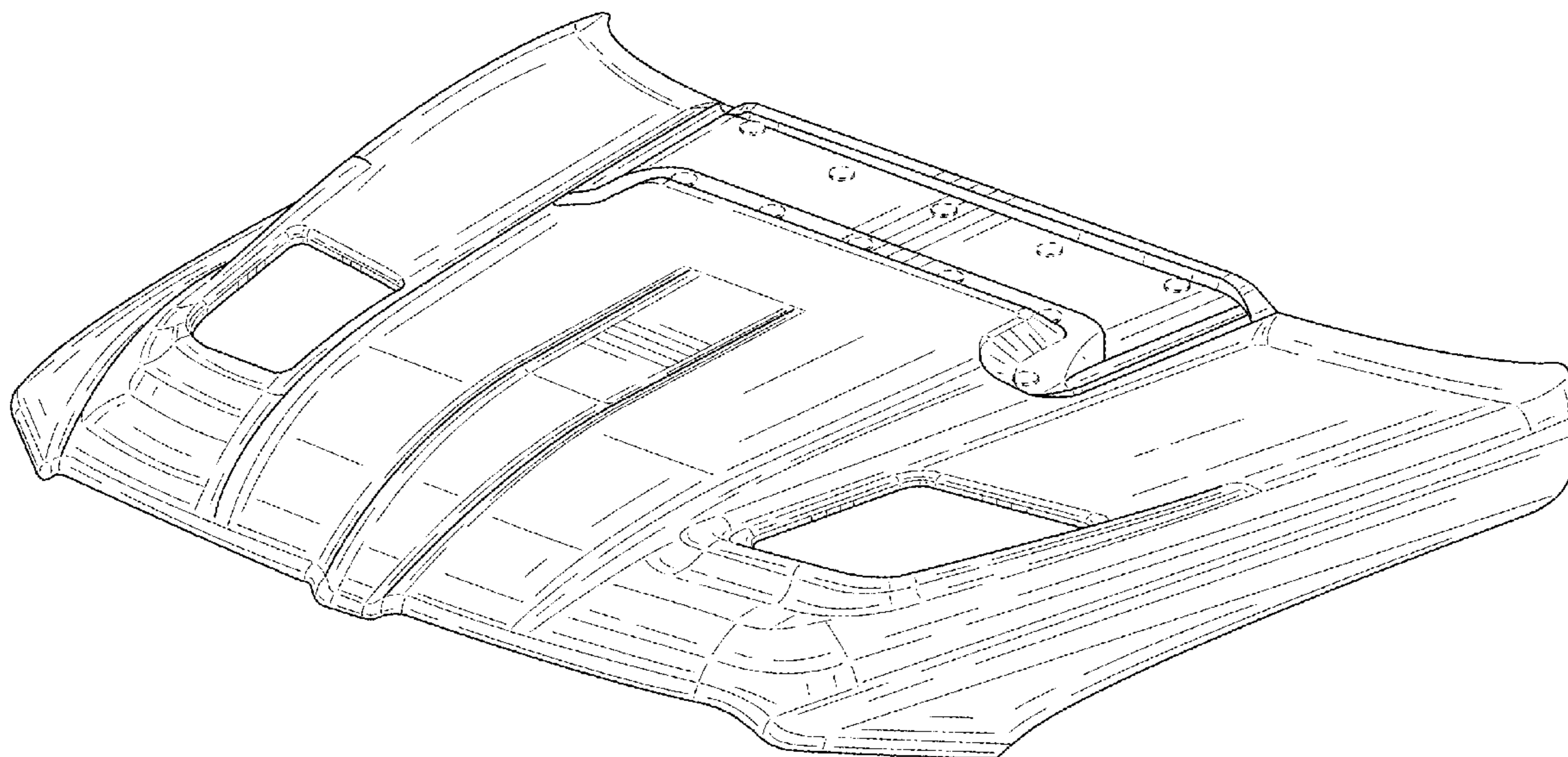
(52) **U.S. Cl.**
USPC **D12/173**

(58) **Field of Classification Search**
USPC D12/173, 196, 86, 90–92, 181;
180/69.21, 69.2, 69.22; 296/190.1–190.5,
296/190.8, 193.11, 37.6
CPC B62D 25/10; B62D 25/06; B62D 65/02;
B62D 25/12; B60Q 1/00
See application file for complete search history.

FIG. 1 is a front perspective view of a vehicle hood showing our new design;
FIG. 2 is a front view thereof;
FIG. 3 is a rear view thereof;
FIG. 4 is a side view thereof;
FIG. 5 is an opposite side view thereof;
FIG. 6 is a top view thereof; and,
FIG. 7 is a bottom view thereof.

It will be understood that the broken lines shown in the drawings illustrate portions of the vehicle hood that form no part of the claimed design.

1 Claim, 5 Drawing Sheets



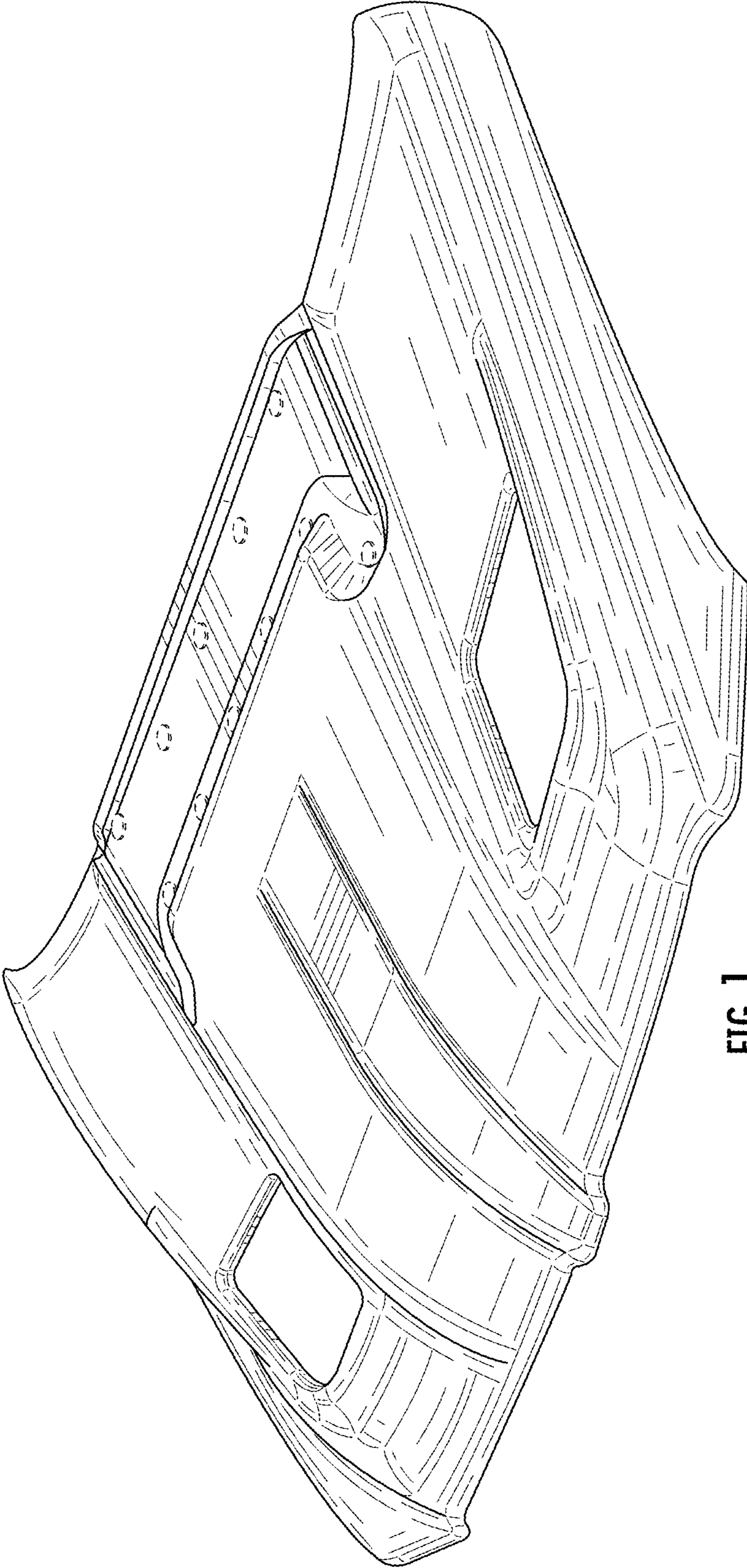


FIG. 1

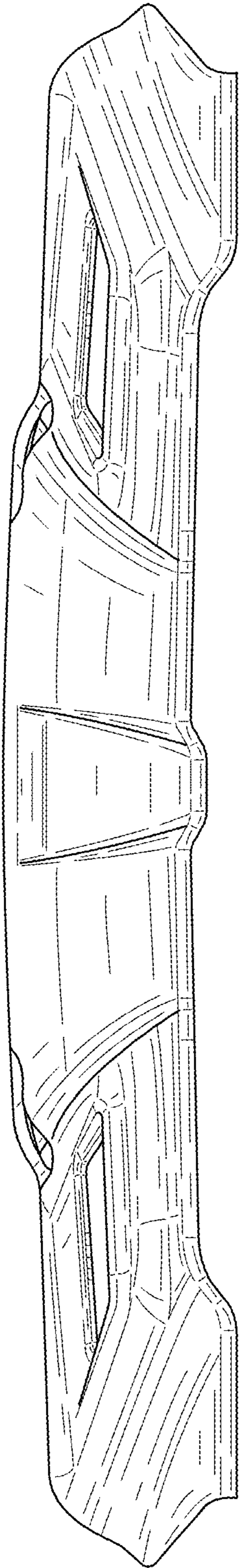


FIG. 2

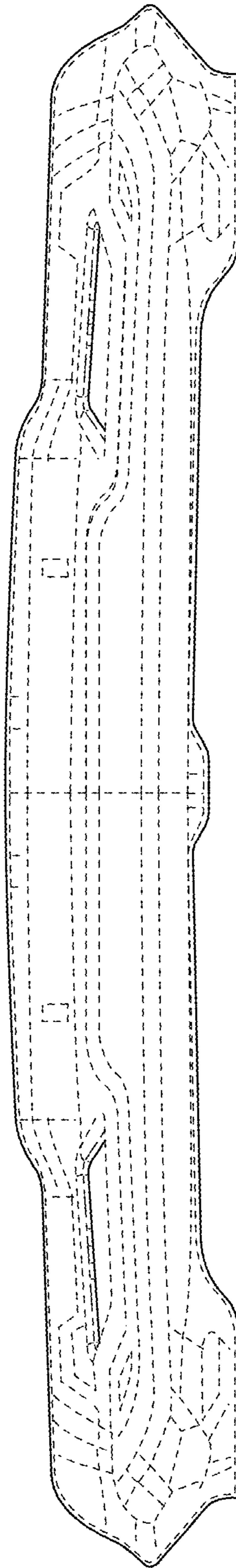


FIG. 3

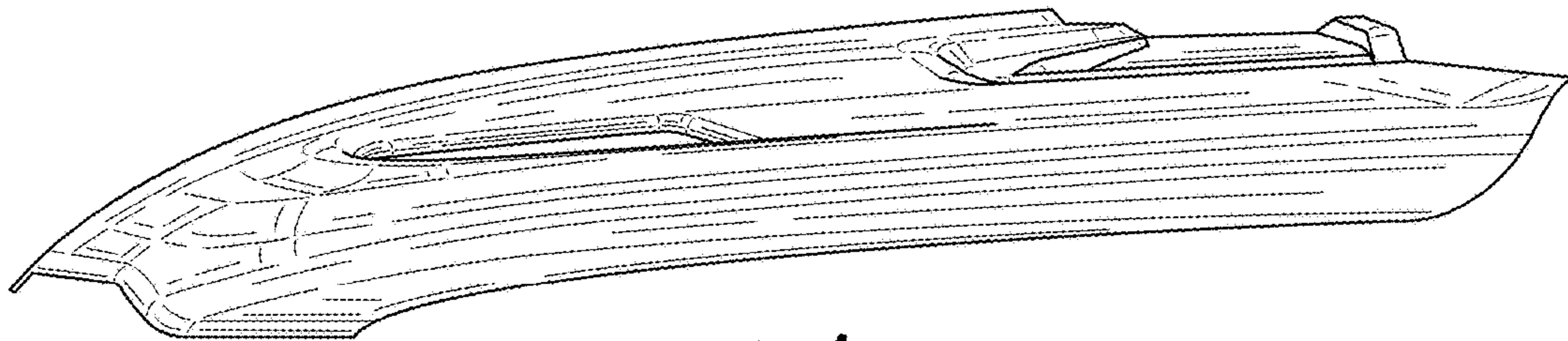


FIG. 4

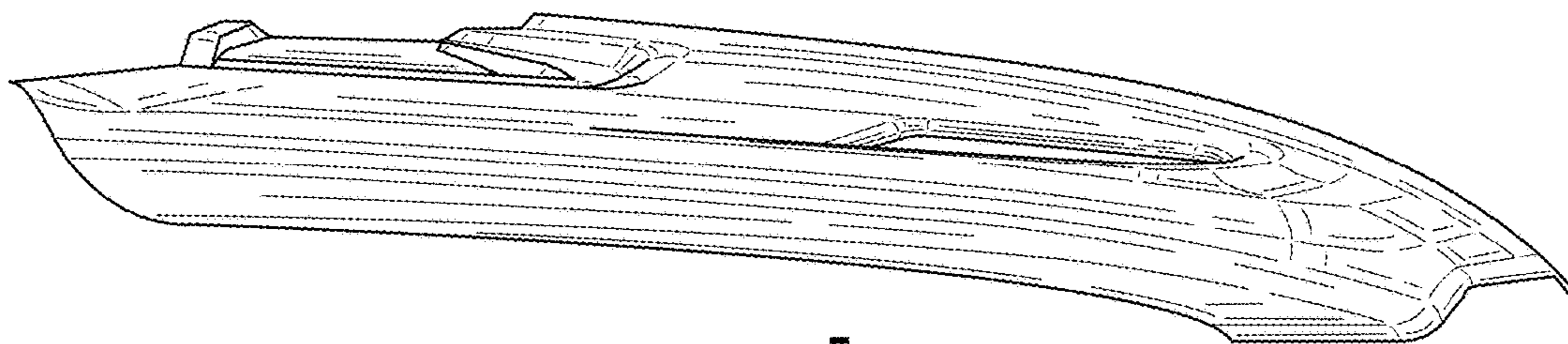


FIG. 5

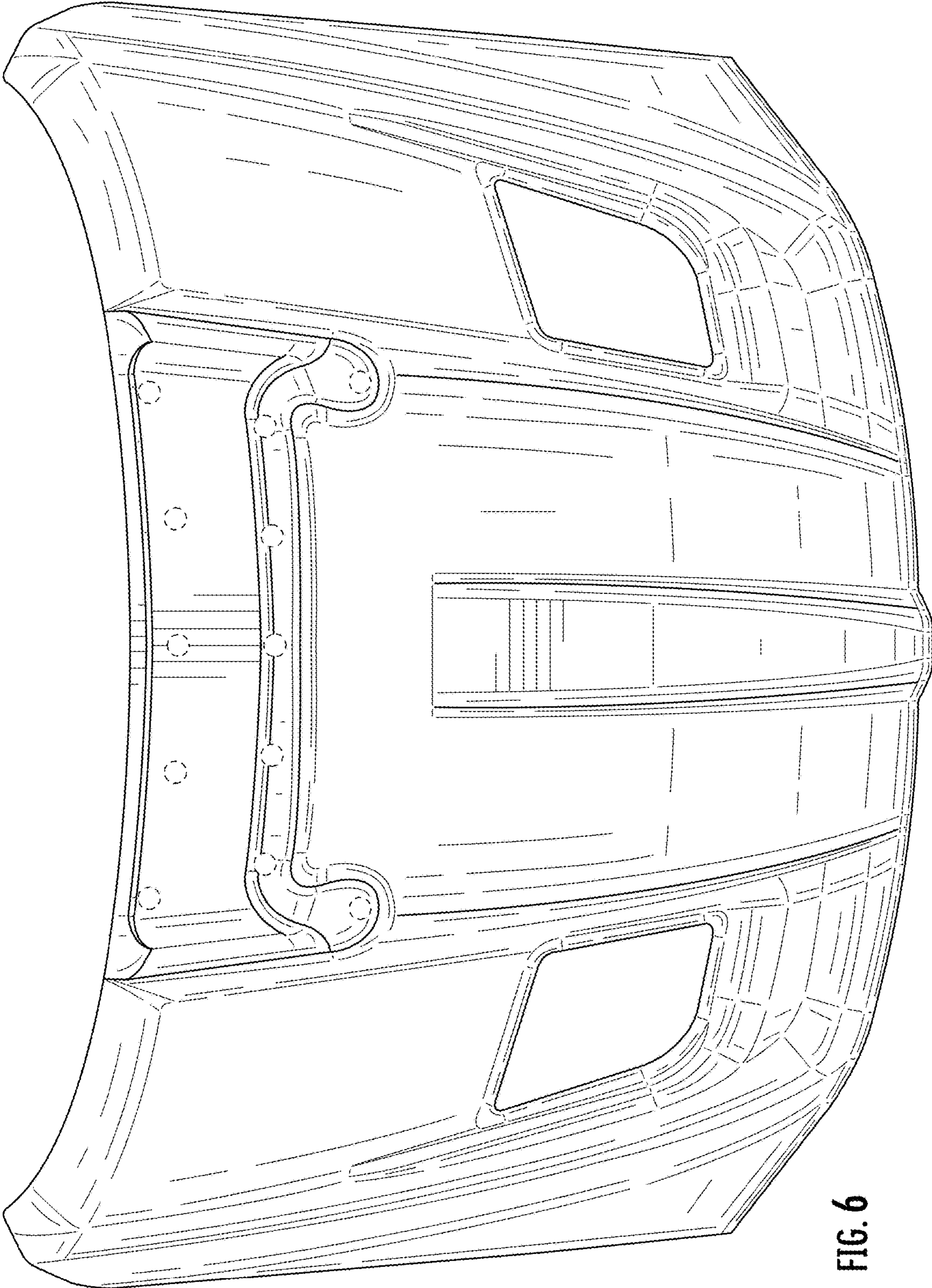


FIG. 6

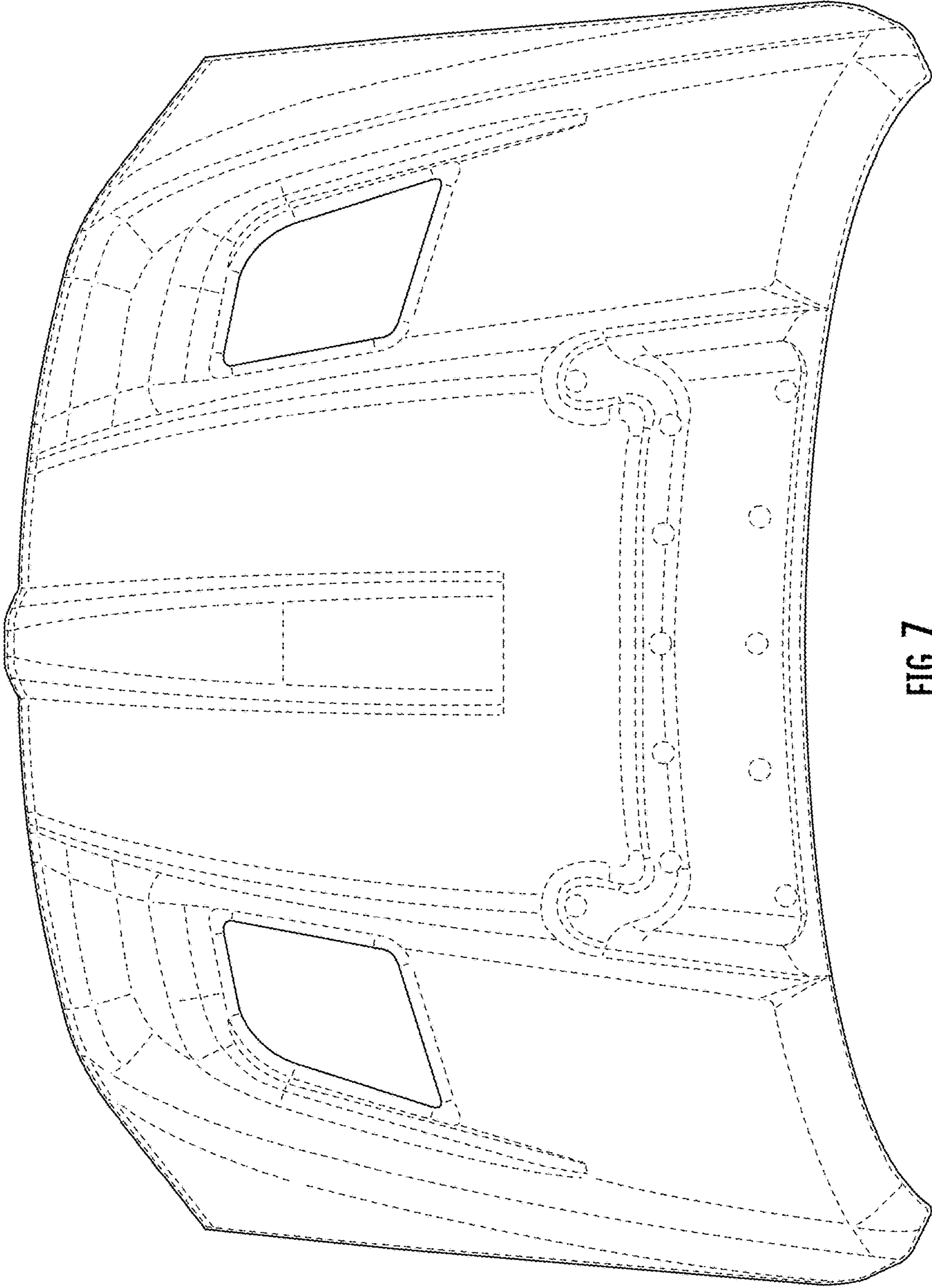


FIG. 7