

US00D860887S

(12) **United States Design Patent** (10) **Patent No.:** **US D860,887 S**
Gander et al. (45) **Date of Patent:** **** Sep. 24, 2019**

(54) **VEHICLE HOOD**
(71) Applicant: **Oshkosh Defense, LLC**, Oshkosh, WI (US)
(72) Inventors: **Jesse Gander**, Oshkosh, WI (US);
Devon Palmer, Oshkosh, WI (US);
McCall Groen, Oshkosh, WI (US)
(73) Assignee: **Oshkosh Defense, LLC**, Oshkosh, WI (US)
(**) Term: **15 Years**

D542,715 S 5/2007 Beigel et al.
7,258,194 B2 8/2007 Braun et al.
7,311,352 B2* 12/2007 Flotzinger B60R 19/04
293/115
D563,849 S 3/2008 Medina et al.
D572,642 S 7/2008 Steckling et al.
7,472,914 B2 1/2009 Anderson et al.
D632,224 S 2/2011 Peltola et al.
D646,203 S 10/2011 Thompson et al.
D654,401 S 2/2012 Peltola et al.
D685,294 S 7/2013 Hanson et al.
D708,553 S 7/2014 Conway et al.
D708,986 S 7/2014 Conway et al.
D709,408 S 7/2014 Peltola et al.

(Continued)

(21) Appl. No.: **29/672,849**

FOREIGN PATENT DOCUMENTS

(22) Filed: **Dec. 10, 2018**

EP 1 633 619 6/2004
GB 2 400 588 1/2005

(Continued)

Related U.S. Application Data

(62) Division of application No. 29/602,277, filed on Apr. 28, 2017, now Pat. No. Des. 837,702.

Primary Examiner — Susan Bennett Hattan
Assistant Examiner — Suzanne E Tisdell

(51) **LOC (12) Cl.** **12-16**

(74) *Attorney, Agent, or Firm* — Foley & Lardner LLP

(52) **U.S. Cl.**
USPC **D12/173**

(57) **CLAIM**

(58) **Field of Classification Search**
USPC D12/86, 91, 93, 163, 164, 165, 166, 167,
D12/169, 171, 172, 173, 190, 216
CPC B60R 9/06; B60R 19/02; B60R 19/04;
B60R 19/18; B60R 19/44; B60R 19/48;
B62D 35/02; B62D 39/00; B62D 65/16;
B62D 21/12; B29C 45/16
See application file for complete search history.

We claim the ornamental design for a vehicle hood, as shown and described.

DESCRIPTION

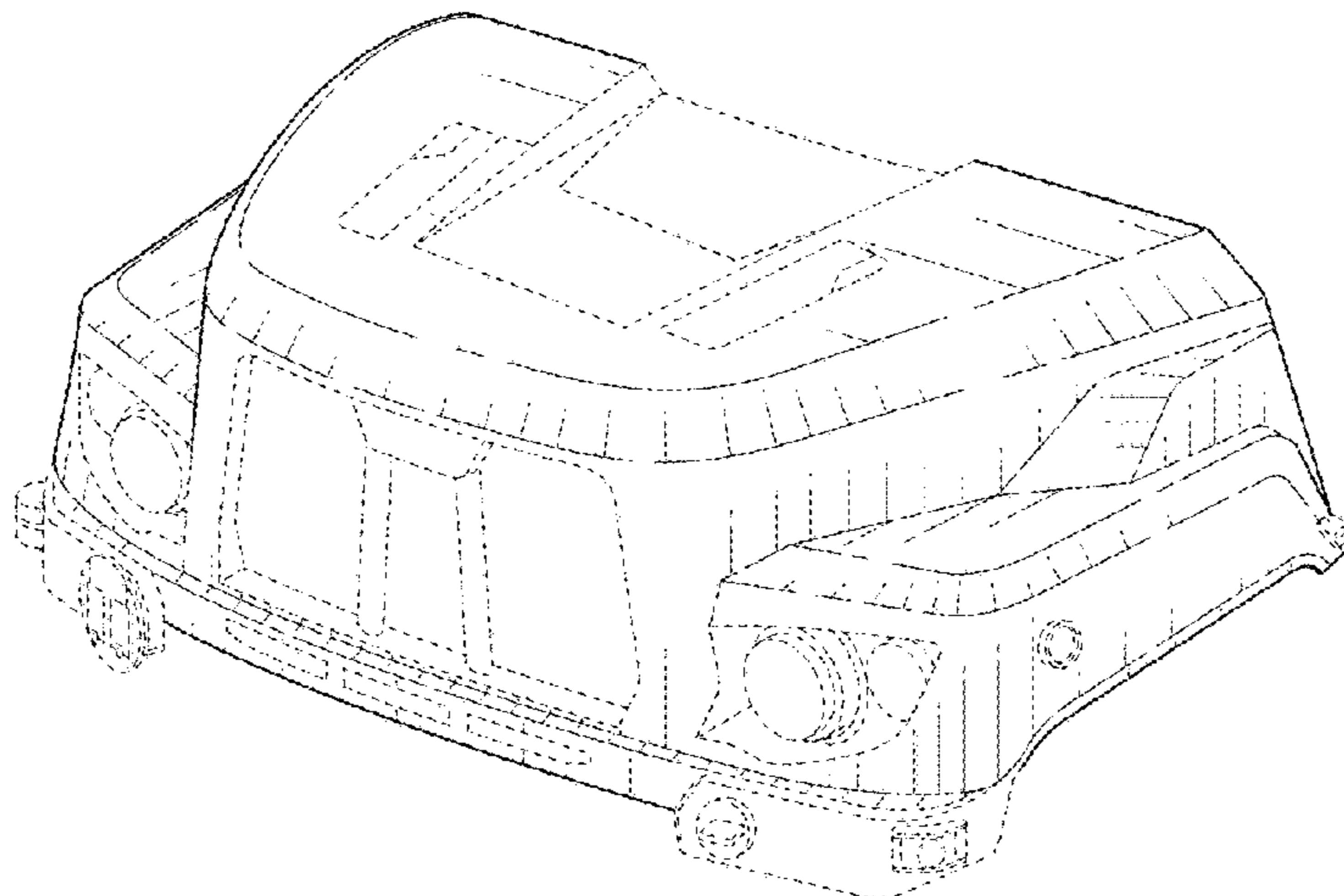
(56) **References Cited**

U.S. PATENT DOCUMENTS

4,322,106 A * 3/1982 Nespor B60R 19/02
293/121
6,520,494 B1 2/2003 Andersen et al.
6,779,806 B1 8/2004 Breitbach et al.
7,073,620 B2 7/2006 Braun et al.

FIG. 1 is a front perspective view of the claimed design;
FIG. 2 is a front view of the claimed design;
FIG. 3 is a rear view of the claimed design;
FIG. 4 is a right side view of the claimed design;
FIG. 5 is a left side view of the claimed design;
FIG. 6 is a top view of the claimed design; and,
FIG. 7 is a bottom view of the claimed design.
Evenly-spaced broken lines included in the drawings depict environmental subject matter that forms no part of the claimed design.

1 Claim, 3 Drawing Sheets



(56)

References Cited

U.S. PATENT DOCUMENTS

D711,786 S 8/2014 Brzustowicz et al.
 D711,788 S 8/2014 Brzustowicz
 D719,879 S 12/2014 Ito et al.
 D720,265 S * 12/2014 Galante D12/169
 8,972,116 B2 * 3/2015 Leach B60R 19/02
 701/45
 9,016,766 B2 * 4/2015 Silva B60R 19/12
 296/187.09
 9,045,014 B1 6/2015 Verhoff et al.
 D734,230 S * 7/2015 Wheel D12/196
 D737,866 S 9/2015 Datema et al.
 9,199,293 B2 * 12/2015 Joyce B21D 11/10
 D746,722 S * 1/2016 Henstridge D12/91
 D750,532 S * 3/2016 Frascella D12/91
 9,327,768 B2 * 5/2016 Donabedian B62D 25/02
 D771,539 S 11/2016 Brzustowicz et al.
 9,494,170 B2 11/2016 Hou
 9,656,640 B1 5/2017 Verhoff et al.
 D788,643 S * 6/2017 Bucher D12/91
 D793,907 S * 8/2017 Woolley D12/91
 D799,380 S 10/2017 Cosme et al.
 D805,959 S * 12/2017 Wheel D12/91
 D805,981 S 12/2017 Conway et al.

D813,097 S * 3/2018 Szavits D12/91
 D817,815 S * 5/2018 Hubers D12/91
 D818,399 S * 5/2018 Frascella D12/91
 D818,879 S * 5/2018 Kochi D12/91
 D820,160 S * 6/2018 Smock D12/91
 D820,163 S * 6/2018 Woodhouse D12/91
 D820,175 S * 6/2018 Ishigaki D12/169
 D820,730 S * 6/2018 Wang D12/91
 D821,266 S * 6/2018 Hagino D12/91
 2004/0245039 A1 12/2004 Braun et al.
 2006/0192361 A1 8/2006 Anderson et al.
 2006/0249325 A1 11/2006 Braun et al.
 2007/0199751 A1 8/2007 Bradley et al.
 2009/0085361 A1 4/2009 Rosen et al.
 2009/0174158 A1 7/2009 Anderson et al.
 2013/0025954 A1 1/2013 Miller et al.
 2015/0232269 A1 8/2015 Hou

FOREIGN PATENT DOCUMENTS

GB 2 400 589 2/2005
 GB 2 400 590 3/2005
 HK 1088583 10/2007
 WO WO-2004/110849 12/2004
 WO WO-2006/093835 9/2006

* cited by examiner

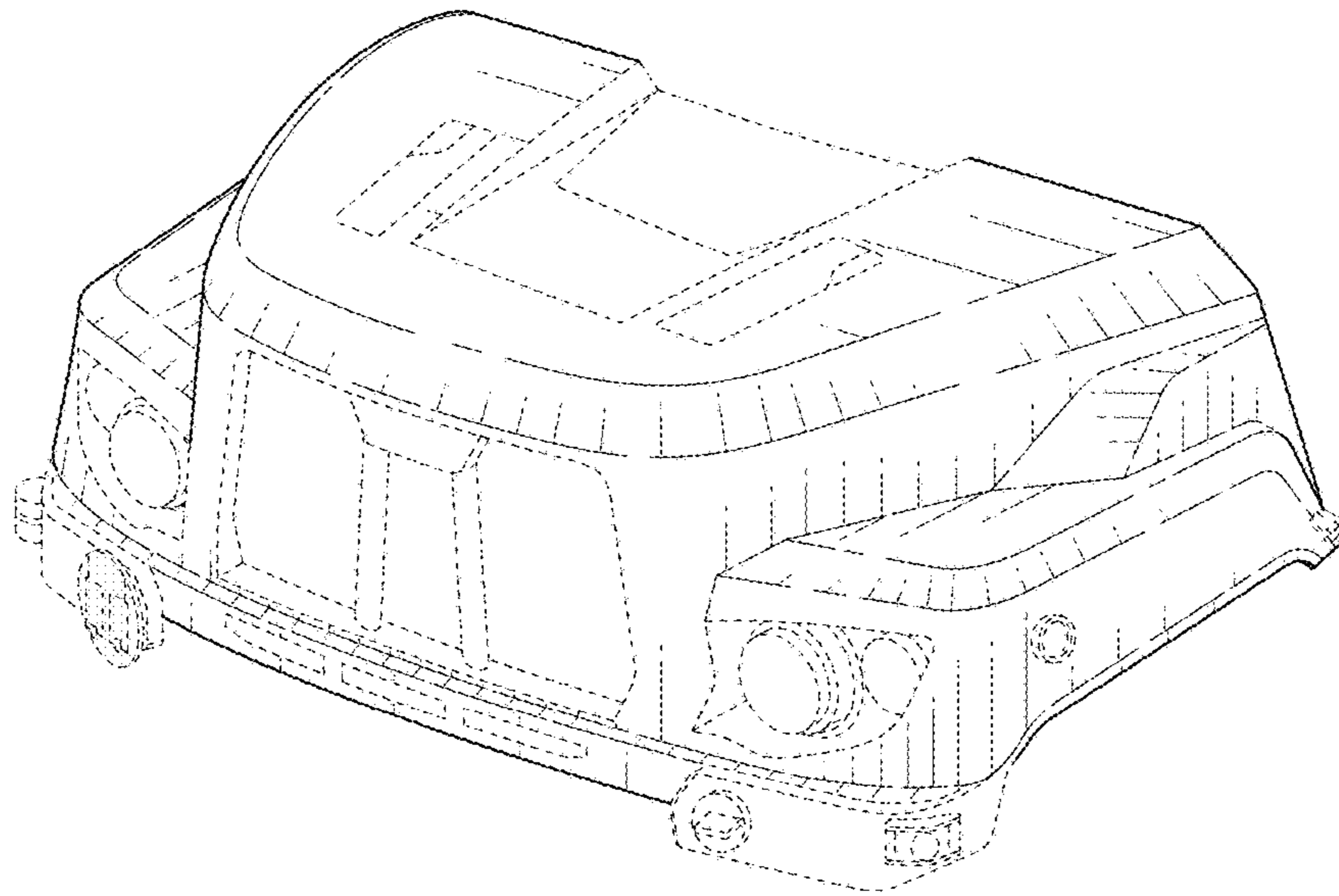


FIG. 1

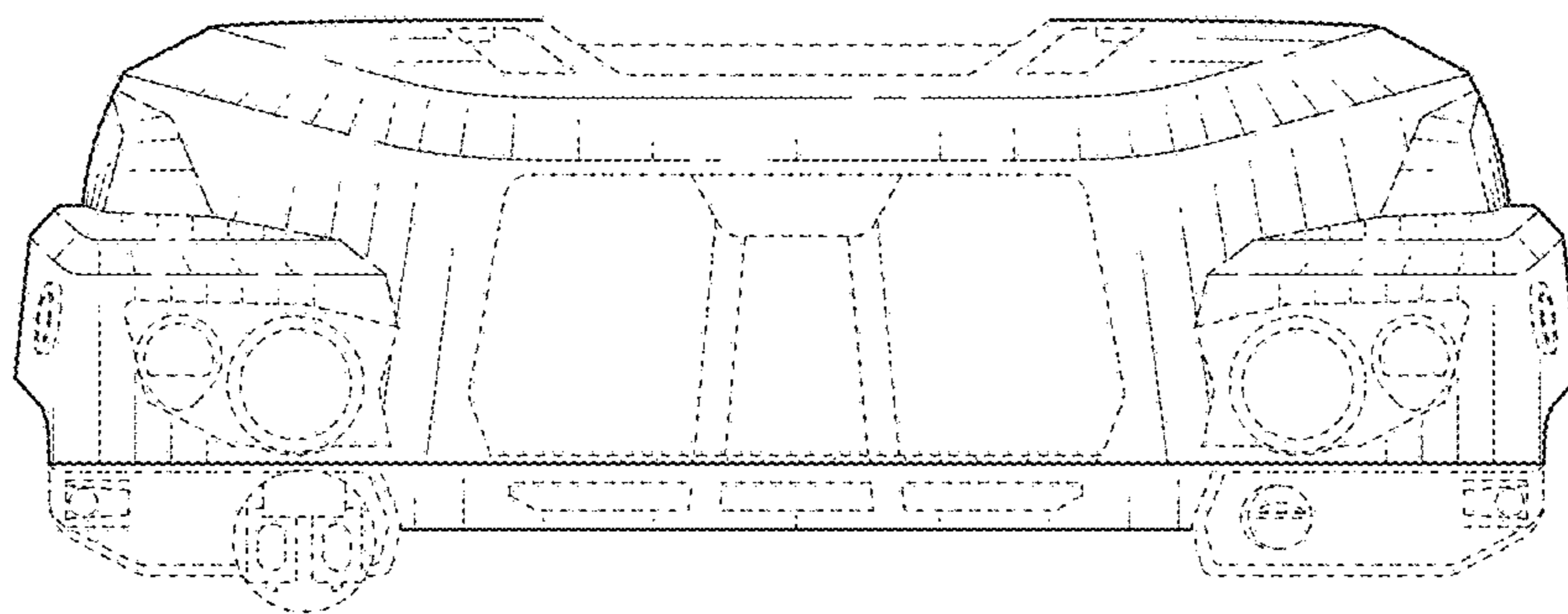


FIG. 2

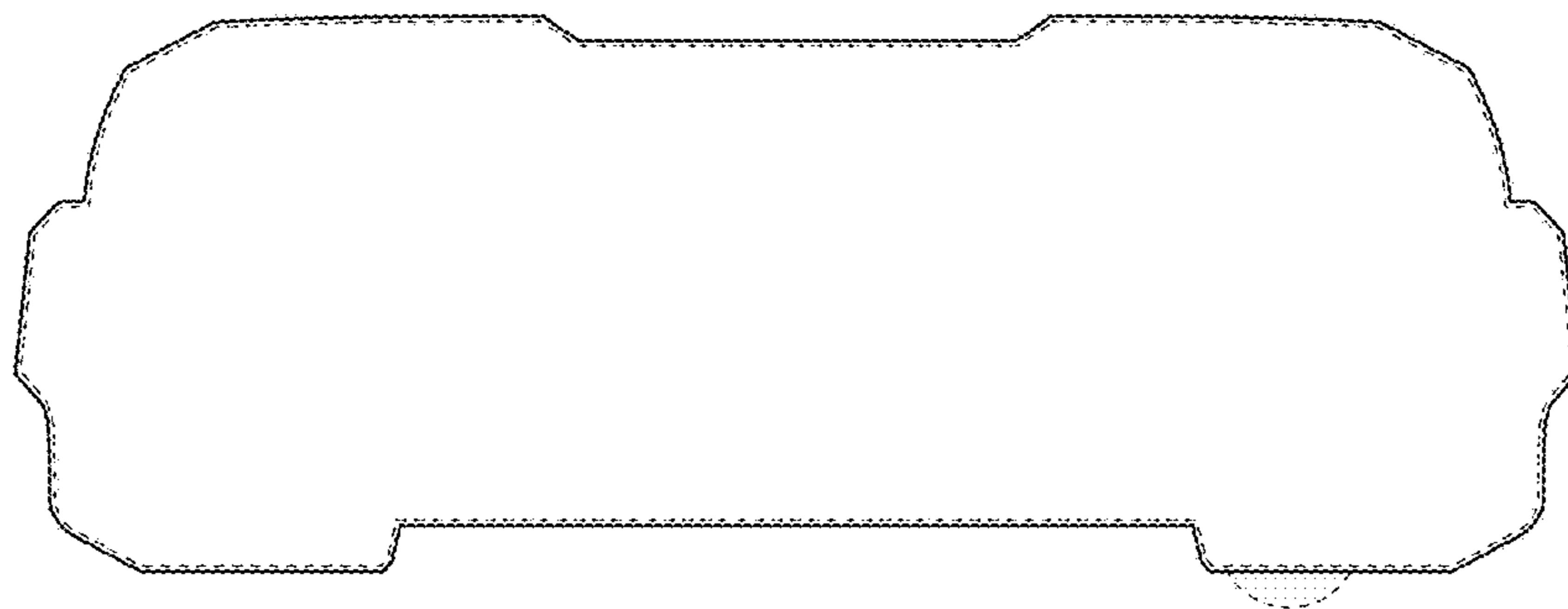


FIG. 3

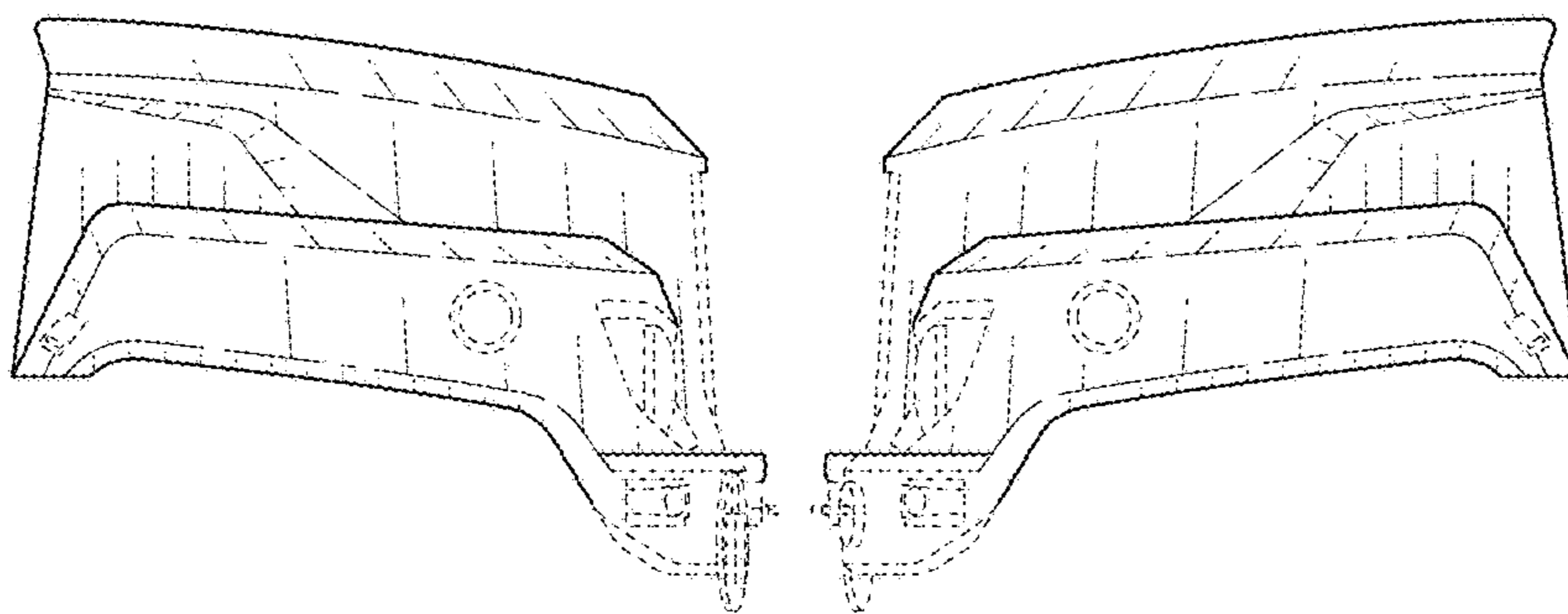


FIG. 4

FIG. 5

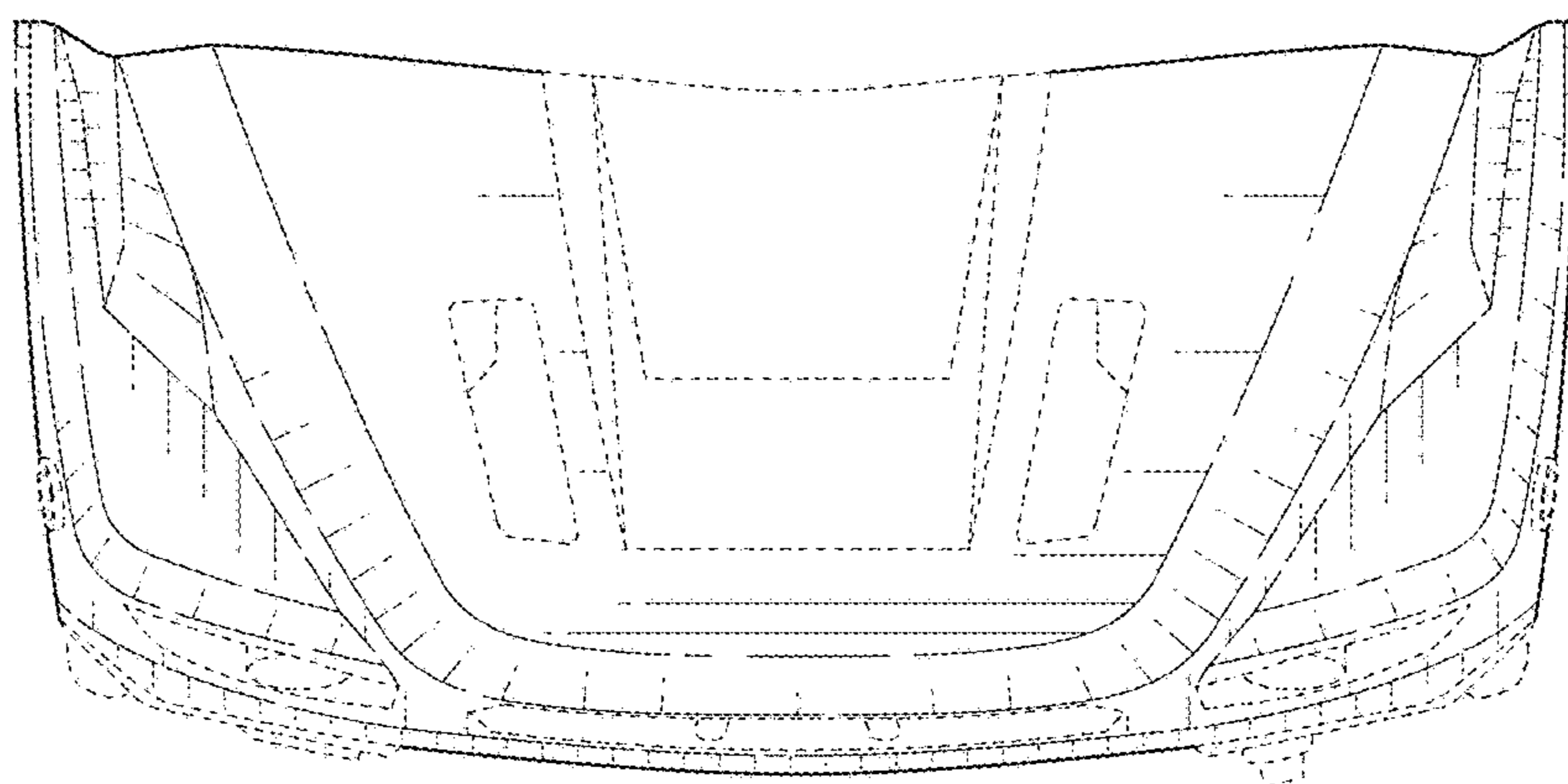


FIG. 6

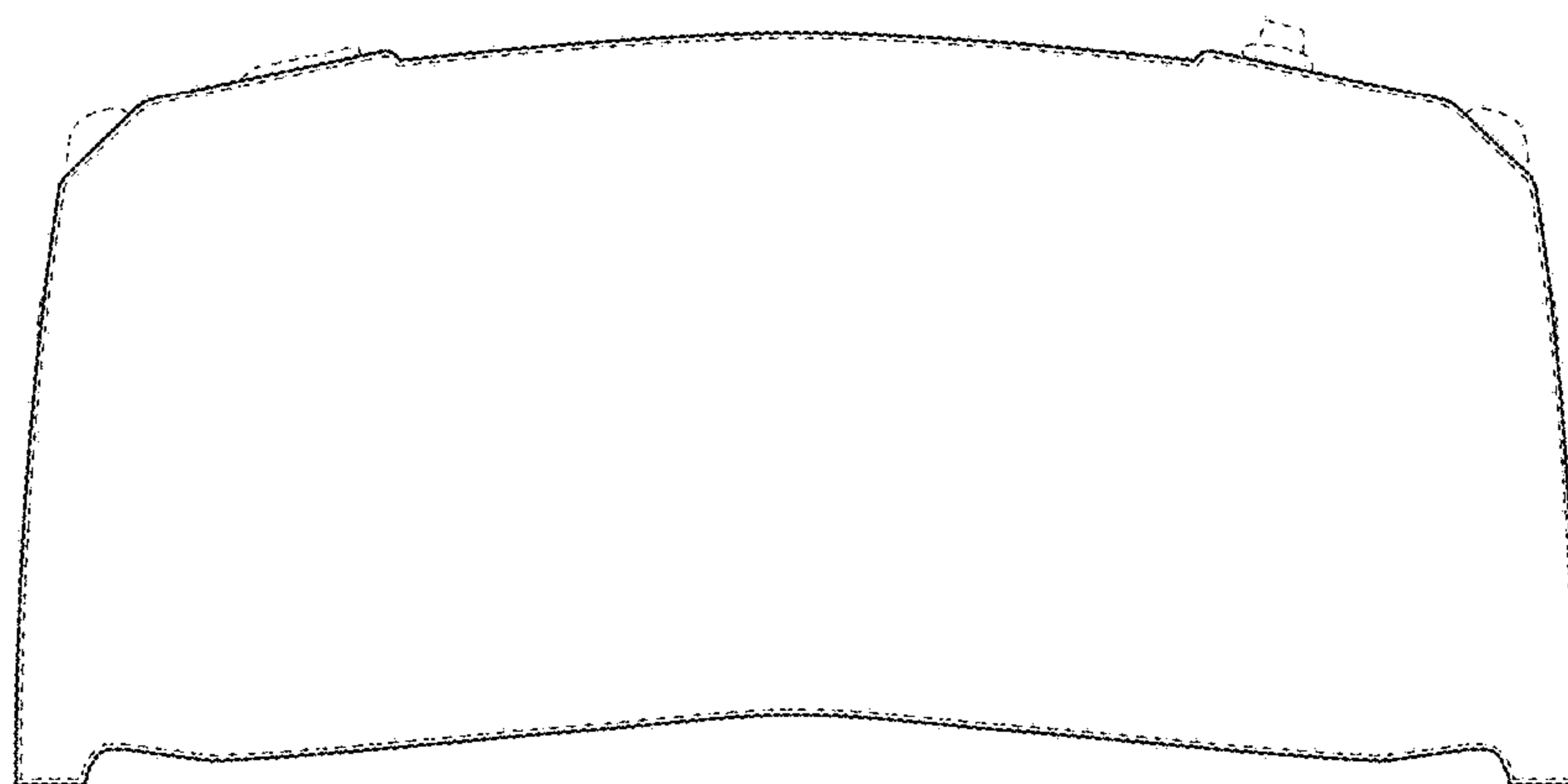


FIG. 7