

US00D860886S

(12) **United States Design Patent** (10) **Patent No.:** **US D860,886 S**
Hong et al. (45) **Date of Patent:** **** Sep. 24, 2019**

(54) **FRONT BUMPER FOR AN AUTOMOBILE**

(56) **References Cited**

(71) Applicants: **HYUNDAI MOTOR COMPANY**,
Seoul (KR); **KIA MOTORS**
CORPORATION, Seoul (KR)

U.S. PATENT DOCUMENTS

D656,871 S *	4/2012	Fetherston	D12/169
D698,291 S *	1/2014	Ishigaki	D12/169
D745,837 S *	12/2015	Smith	D12/169
D829,619 S *	10/2018	Kim	D12/169
D829,620 S *	10/2018	Lim	D12/169
D840,297 S *	2/2019	Tovey	D12/169
D840,298 S *	2/2019	Smith	D12/169
D841,530 S *	2/2019	Sterner	D12/169
D843,899 S *	3/2019	Nakajima	D12/169
D844,508 S *	4/2019	Elstner	D12/169
D847,048 S *	4/2019	Patel	D12/169

(72) Inventors: **Sang Jin Hong**, Suwon-si (KR); **Jung Taik Hur**, Yongin-si (KR)

(73) Assignees: **Hyundai Motor Company**, Seoul (KR); **Kia Motors Corporation**, Seoul (KR)

(**) Term: **15 Years**

* cited by examiner

(21) Appl. No.: **35/505,726**

Primary Examiner — George D. Kirschbaum

(22) Filed: **Mar. 27, 2018**

Assistant Examiner — Joseph J Kukella

(80) **Hague Agreement Data**

Int. Filing Date: **Mar. 27, 2018**
Int. Reg. No.: **DM/101008**
Int. Reg. Date: **Mar. 27, 2018**
Int. Reg. Pub. Date: **Sep. 28, 2018**

(74) *Attorney, Agent, or Firm* — Mintz Levin Cohn Ferris Glovsky and Popeo, P.C.; Kongsik Kim

(57) **CLAIM**

The ornamental design for a front bumper for an automobile, as shown and described.

(30) **Foreign Application Priority Data**

Jan. 31, 2018 (KR) 30-2018-0005251

(51) **LOC (12) Cl.** **12-16**

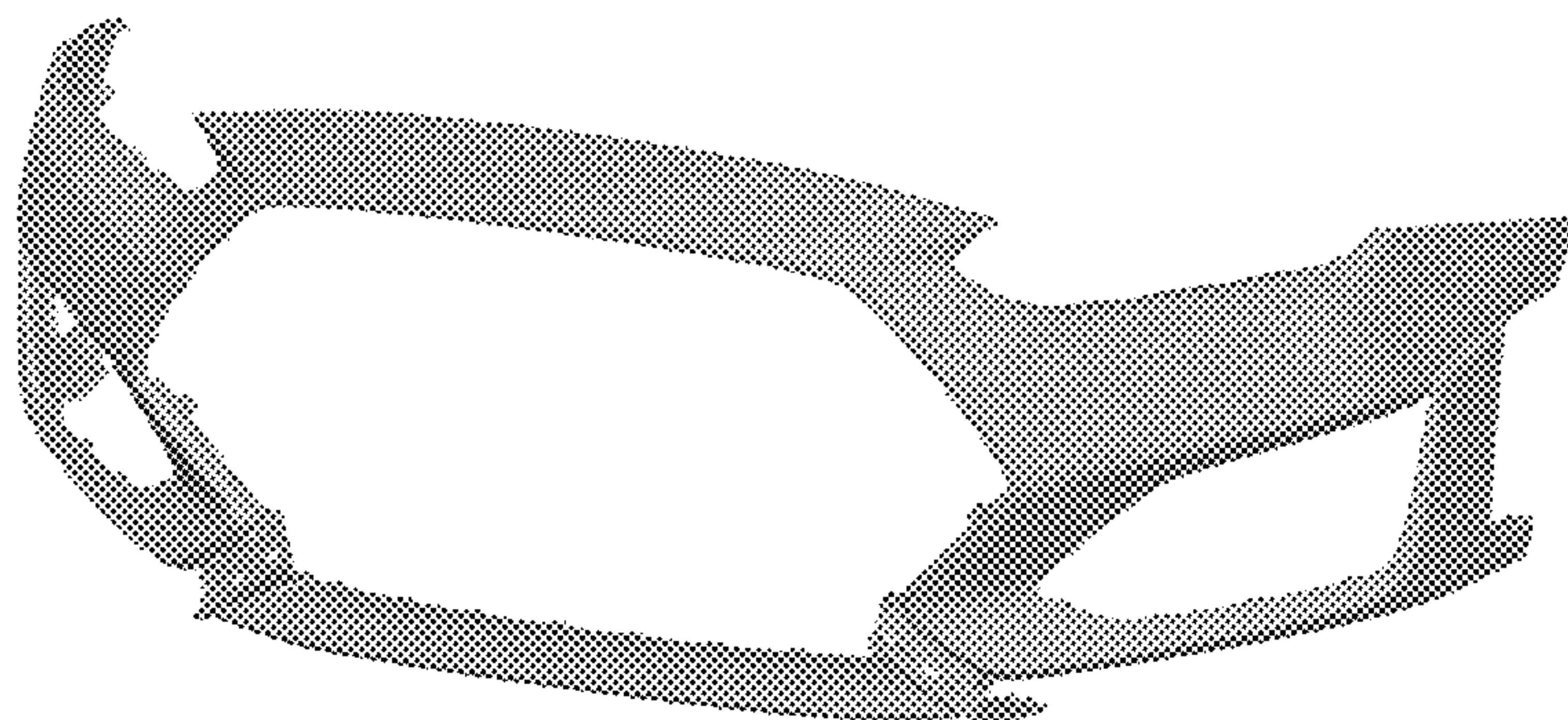
(52) **U.S. Cl.**
USPC **D12/169**

(58) **Field of Classification Search**
USPC D12/163–171
CPC B62D 25/10; B62D 25/105
See application file for complete search history.

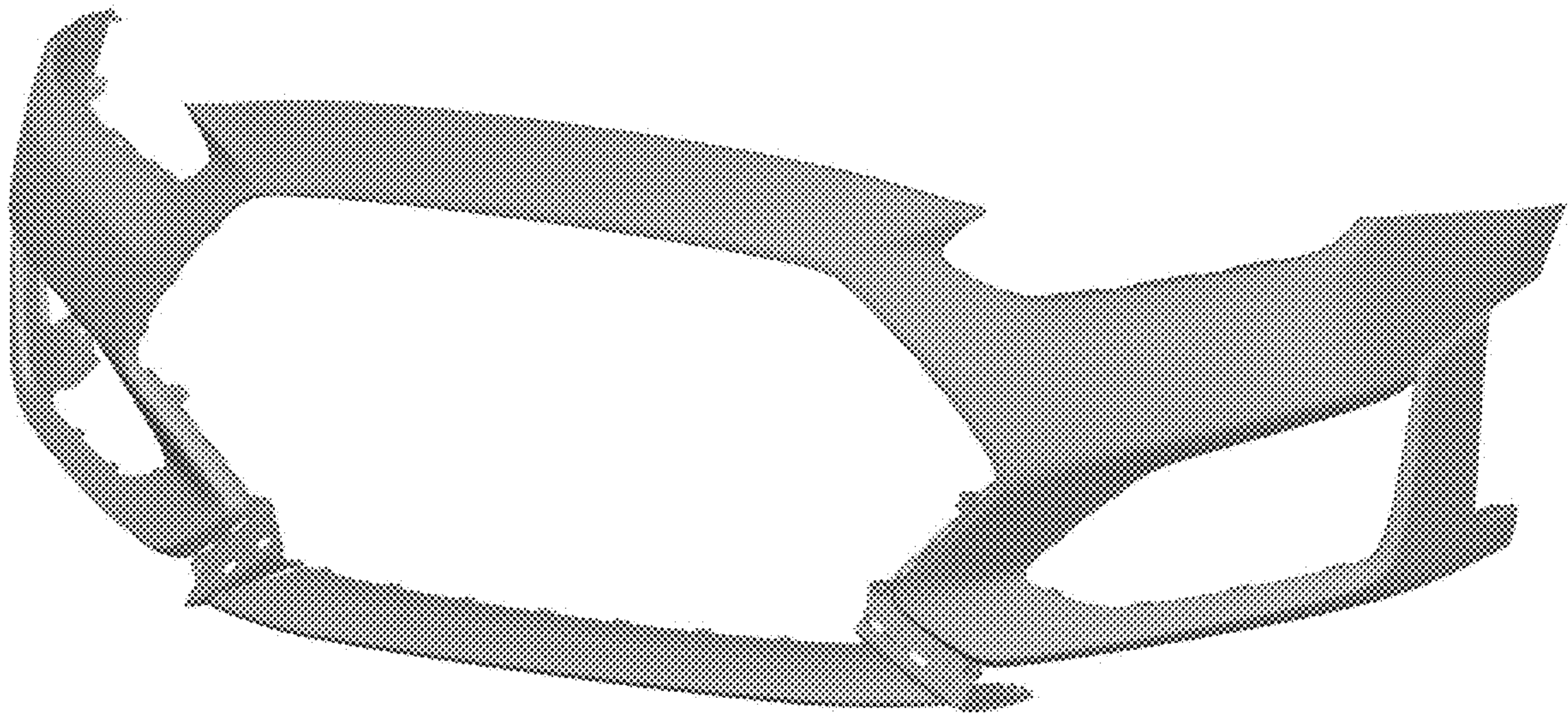
DESCRIPTION

- 1. Front bumper for an automobile
- 1.1 : Perspective
- 1.2 : Front
- 1.3 : Back
- 1.4 : Left
- 1.5 : Right
- 1.6 : Top
- 1.7 : Bottom

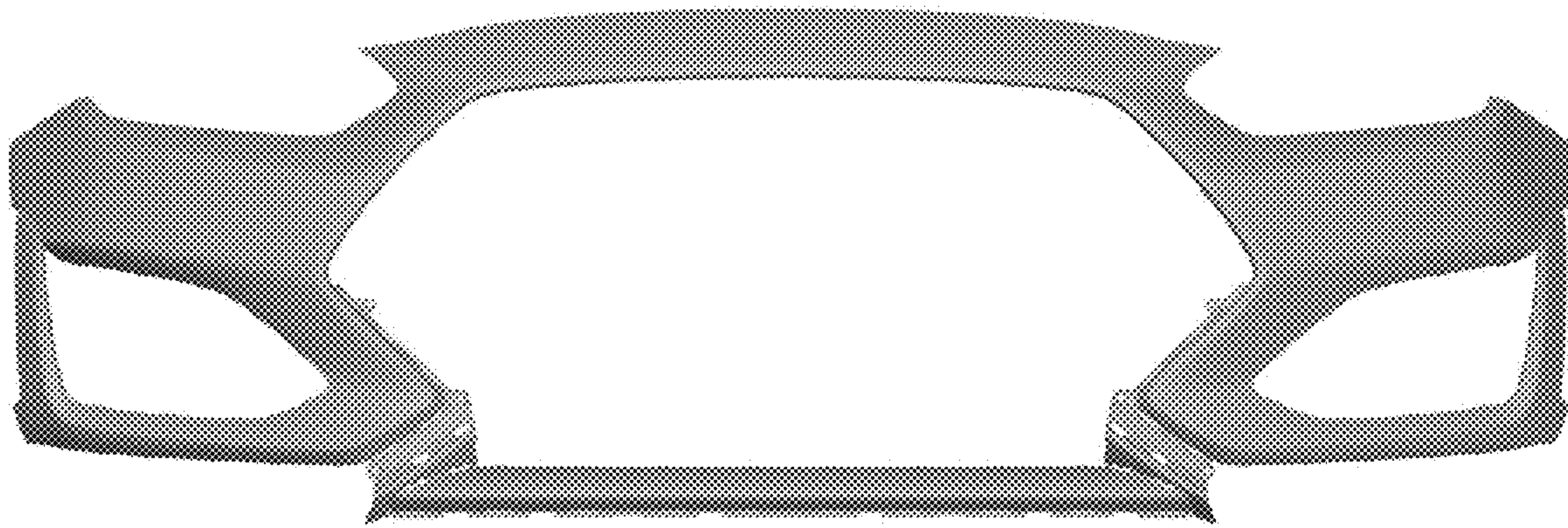
1 Claim, 7 Drawing Sheets



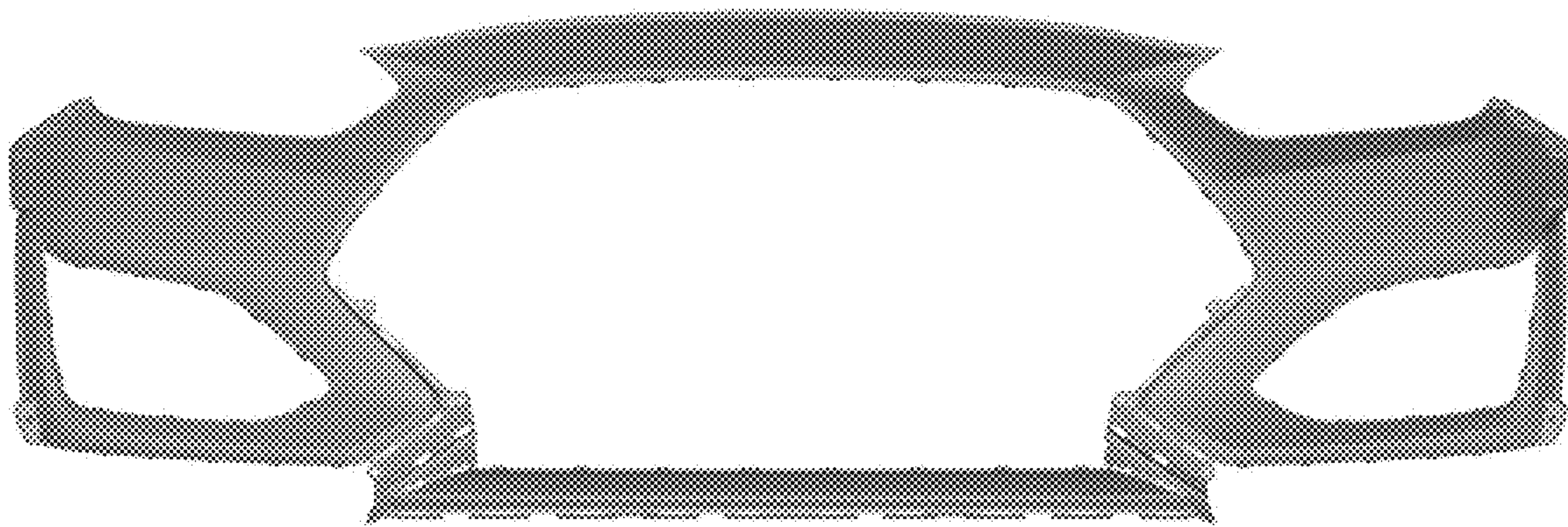
1.1



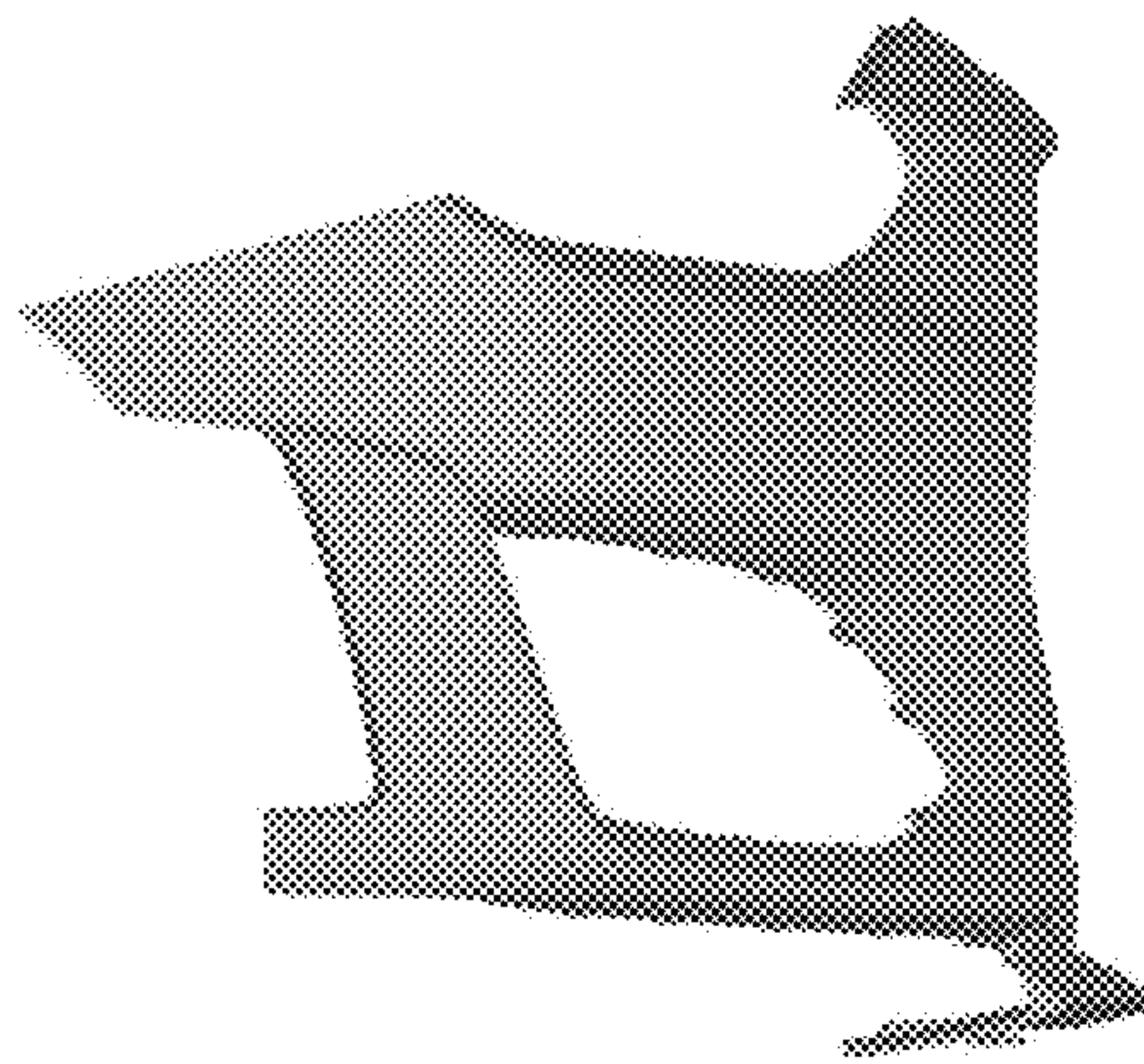
1.2



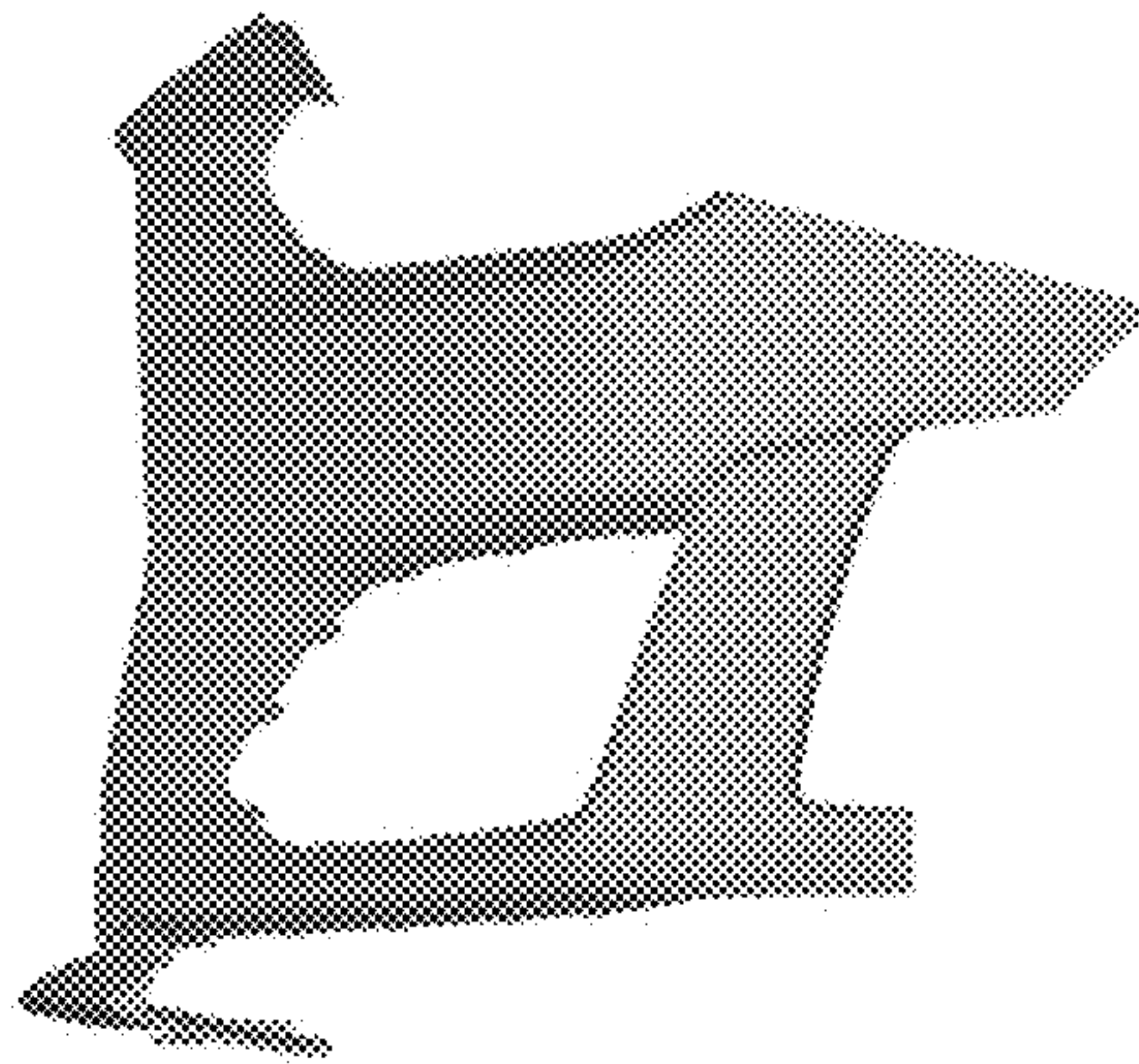
1.3



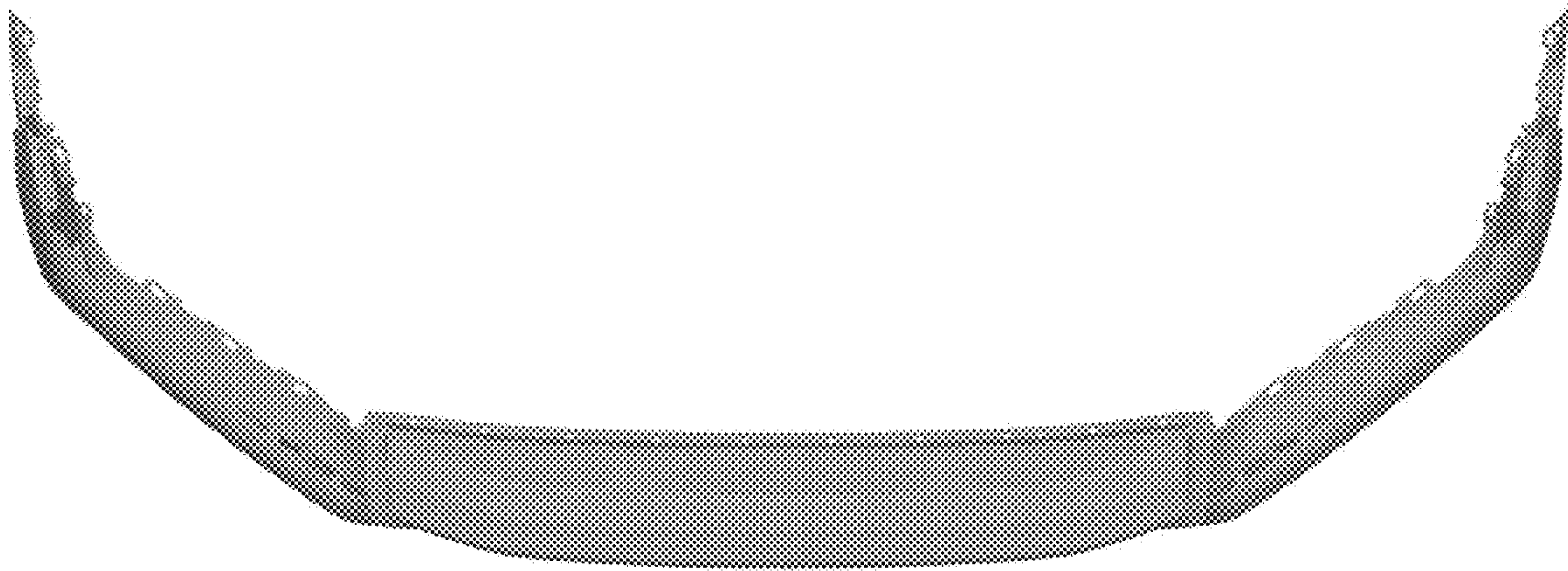
1.4



1.5



1.6



1.7

