



US00D860884S

(12) **United States Design Patent** (10) **Patent No.:** **US D860,884 S**  
**Pollard** (45) **Date of Patent:** **\*\* Sep. 24, 2019**

(54) **FRONT BUMPER**

(71) Applicant: **Jaguar Land Rover Limited**, Whitley, Coventry (GB)

(72) Inventor: **Christopher Pollard**, Coventry (GB)

(73) Assignee: **Jaguar Land Rover Limited**, Whitley, Coventry (GB)

(\*\*) Term: **15 Years**

(21) Appl. No.: **29/622,890**

(22) Filed: **Oct. 20, 2017**

(30) **Foreign Application Priority Data**

Apr. 21, 2017 (EM) ..... 0003866979

(51) **LOC (12) Cl.** ..... **12-16**

(52) **U.S. Cl.**  
USPC ..... **D12/169**

(58) **Field of Classification Search**  
USPC .... D12/86, 90-92, 163, 164, 169, 171, 196,  
D12/216

CPC ..... B60R 19/02; B60R 19/04; B60R 19/52;  
B62D 25/08

See application file for complete search history.

(56) **References Cited**

**U.S. PATENT DOCUMENTS**

D749,474 S \* 2/2016 Battams ..... D12/169  
D813,738 S \* 3/2018 Holstein ..... D12/169  
D822,550 S \* 7/2018 Wassell ..... D12/169  
D825,410 S \* 8/2018 Nakamura ..... D12/169  
D834,471 S \* 11/2018 Hill ..... D12/169

**OTHER PUBLICATIONS**

4 Wheels News—2019 Range Rover Sport <https://www.4wheelsnews.com/auto/2018-range-rover-sport-plug-in-hybrid-svr-facelift-official-38149-g-258901.html> Oct. 6, 2017 (Year: 2017).\*

Land Rover—Range Rover Sport SVR <https://www.landroverusa.com/vehicles/range-rover-sport/svr/index.html> Apr. 1, 2019 (Year: 2019).\*

\* cited by examiner

*Primary Examiner* — Leanne Was-Englehart  
(74) *Attorney, Agent, or Firm* — Wood Herron & Evans LLP

(57) **CLAIM**

The ornamental design for a front bumper, as shown and described.

**DESCRIPTION**

FIG. 1 is a front right perspective view of a front bumper according to the present invention.  
FIG. 2 is a front left perspective view of the front bumper shown in FIG. 1.  
FIG. 3 is a rear left perspective view thereof.  
FIG. 4 is a rear right perspective view thereof.  
FIG. 5 is a front view thereof.  
FIG. 6 is a rear view thereof.  
FIG. 7 is a left side view thereof.  
FIG. 8 is a right side view thereof.  
FIG. 9 is a top view thereof.  
FIG. 10 is a bottom view thereof; and,  
FIG. 11 is a front right perspective view of the front bumper shown in FIGS. 1-10, but mounted on a vehicle, with the rest of the vehicle shown in de-emphasized and half-tone portions so as to illustrate environmental structure.  
More particularly, in FIG. 11, the inventive front bumper is shown within the broken line, and the elements shown outside the broken line form no part of the claimed invention, but are instead included to show environmental aspects thereof.

**1 Claim, 11 Drawing Sheets**

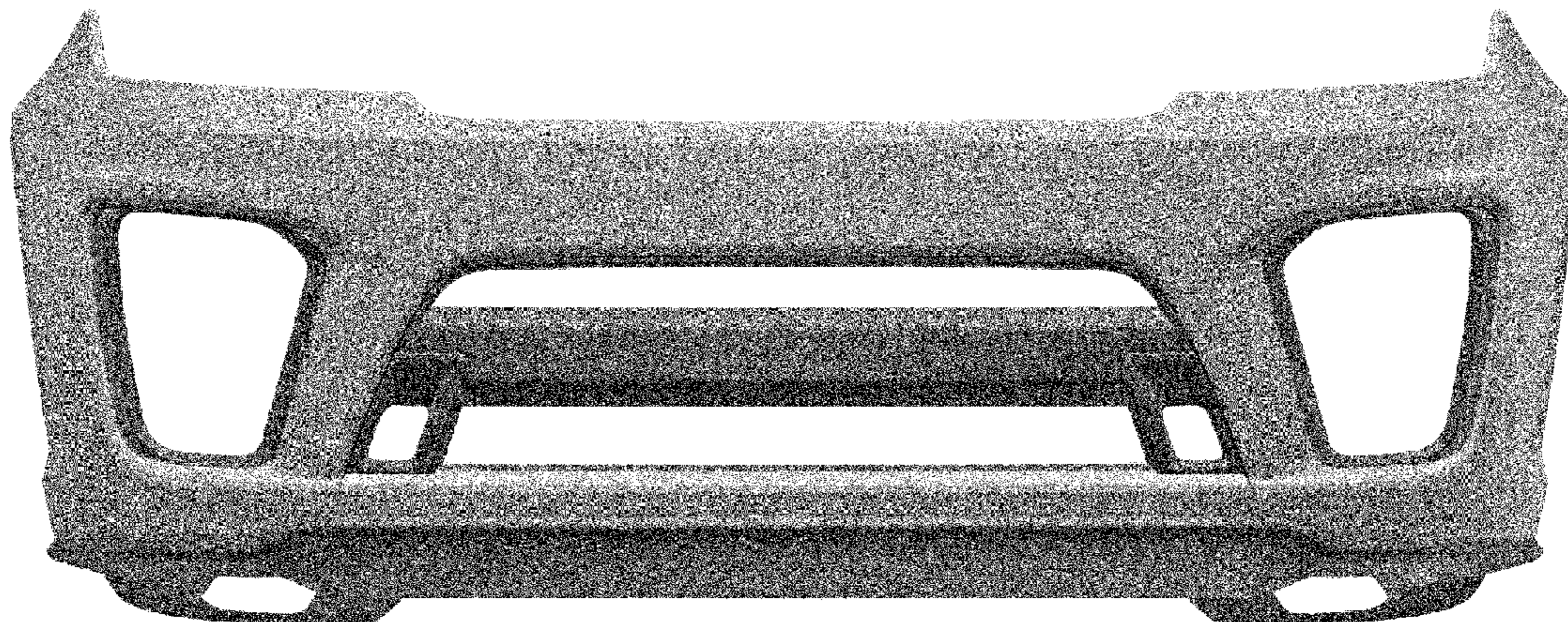




FIG. 1



FIG. 2

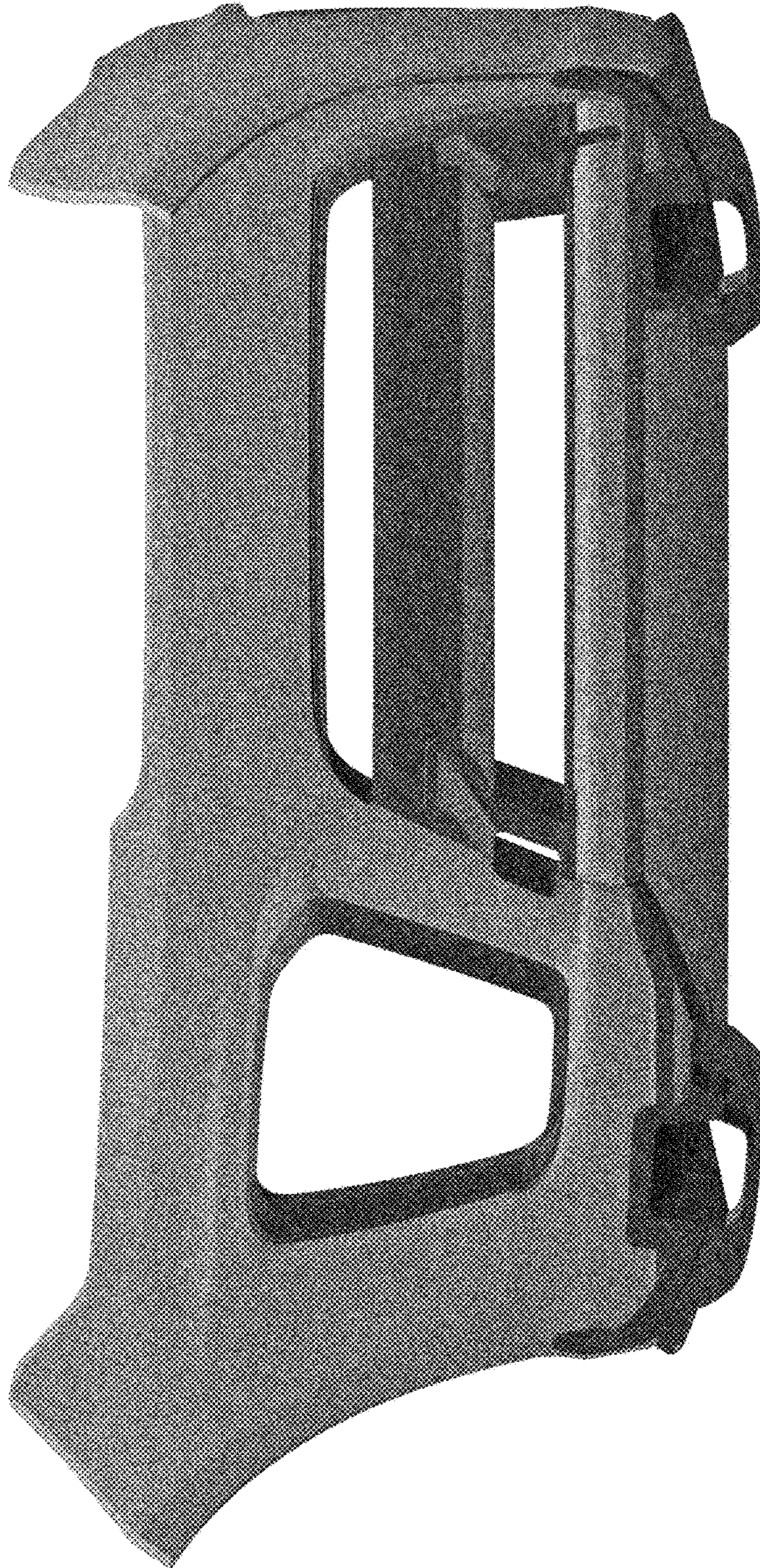


FIG. 3

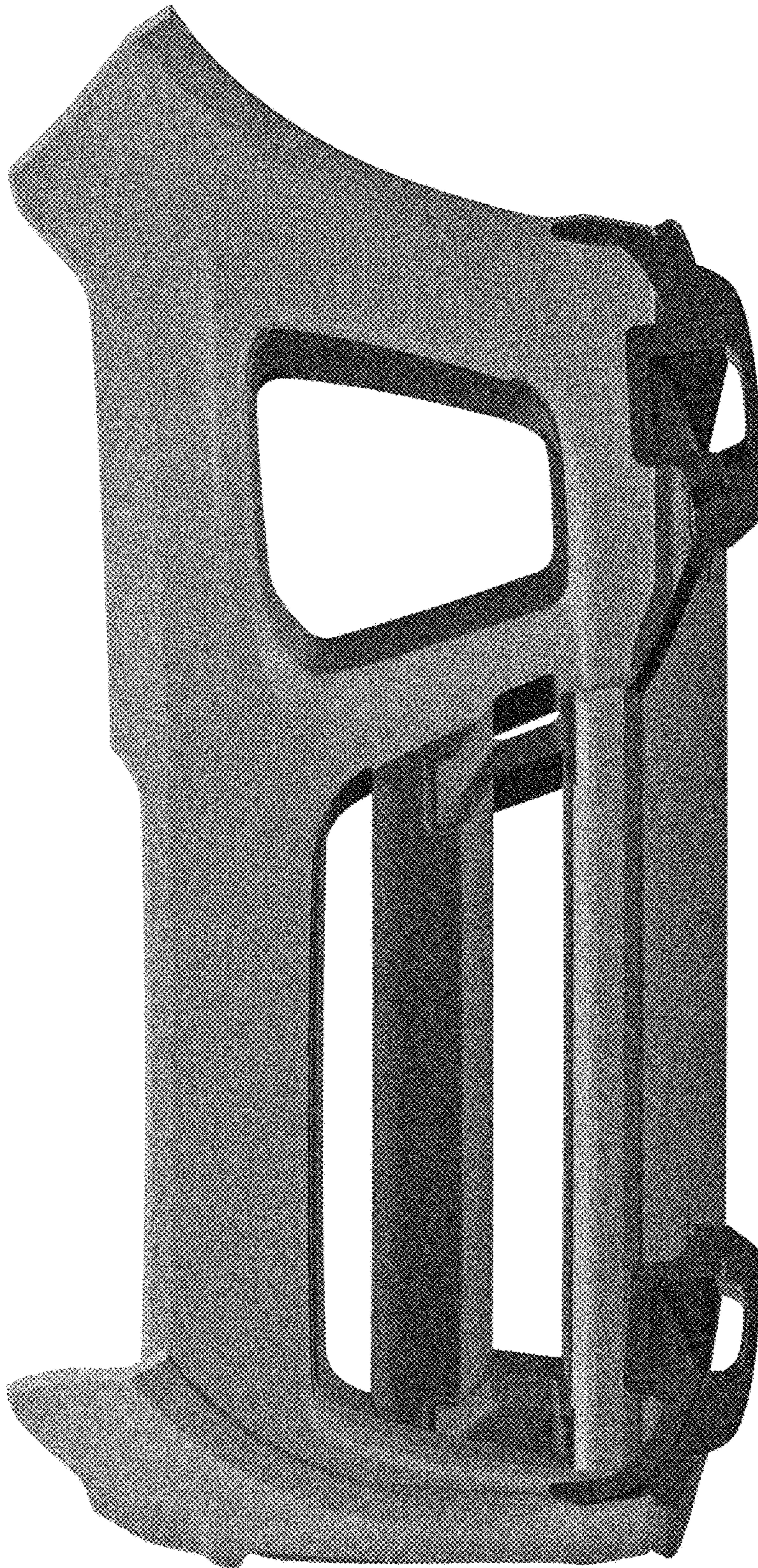


FIG. 4

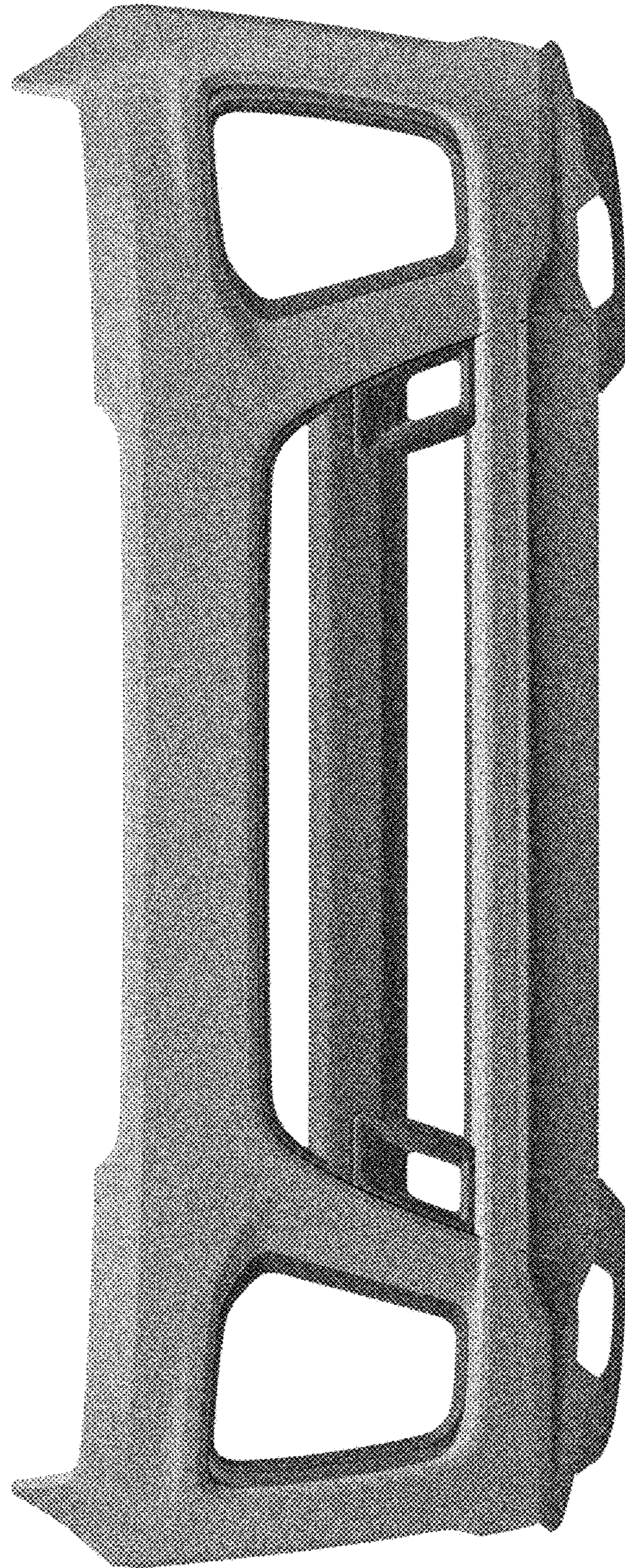


FIG. 5

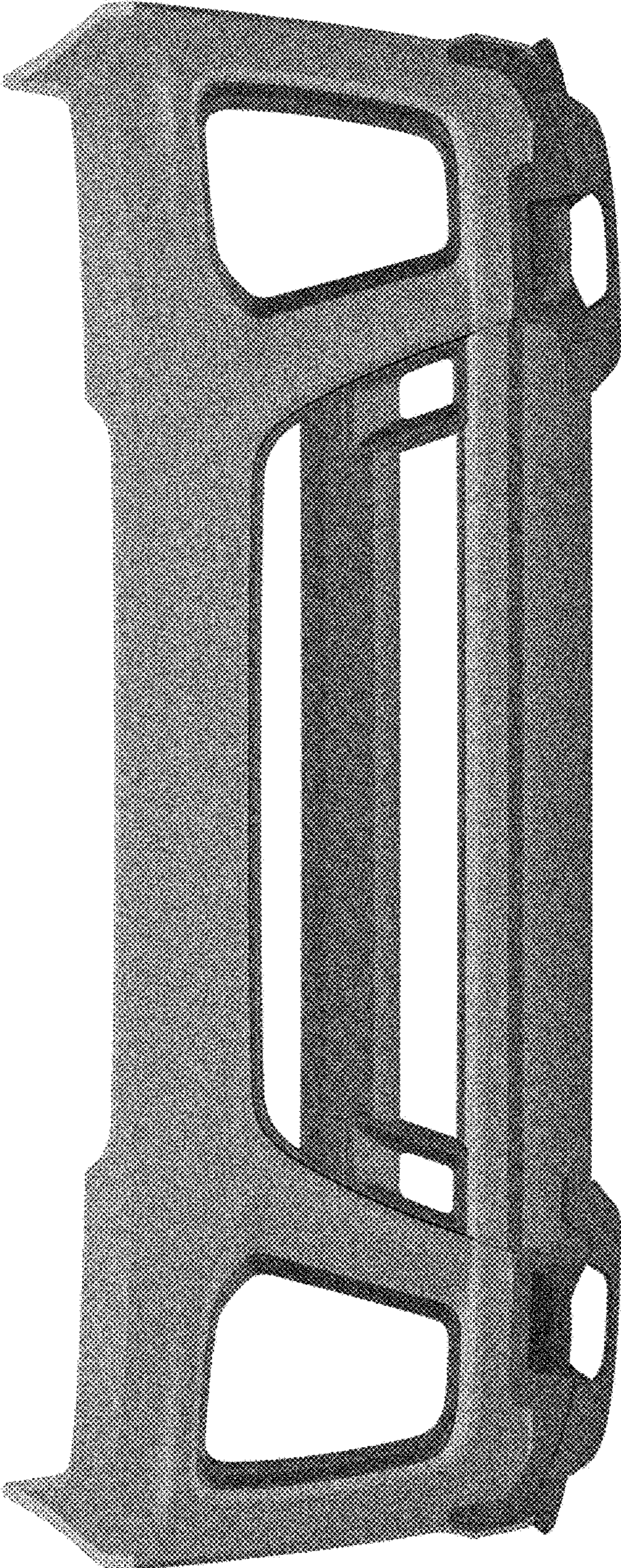


FIG. 6

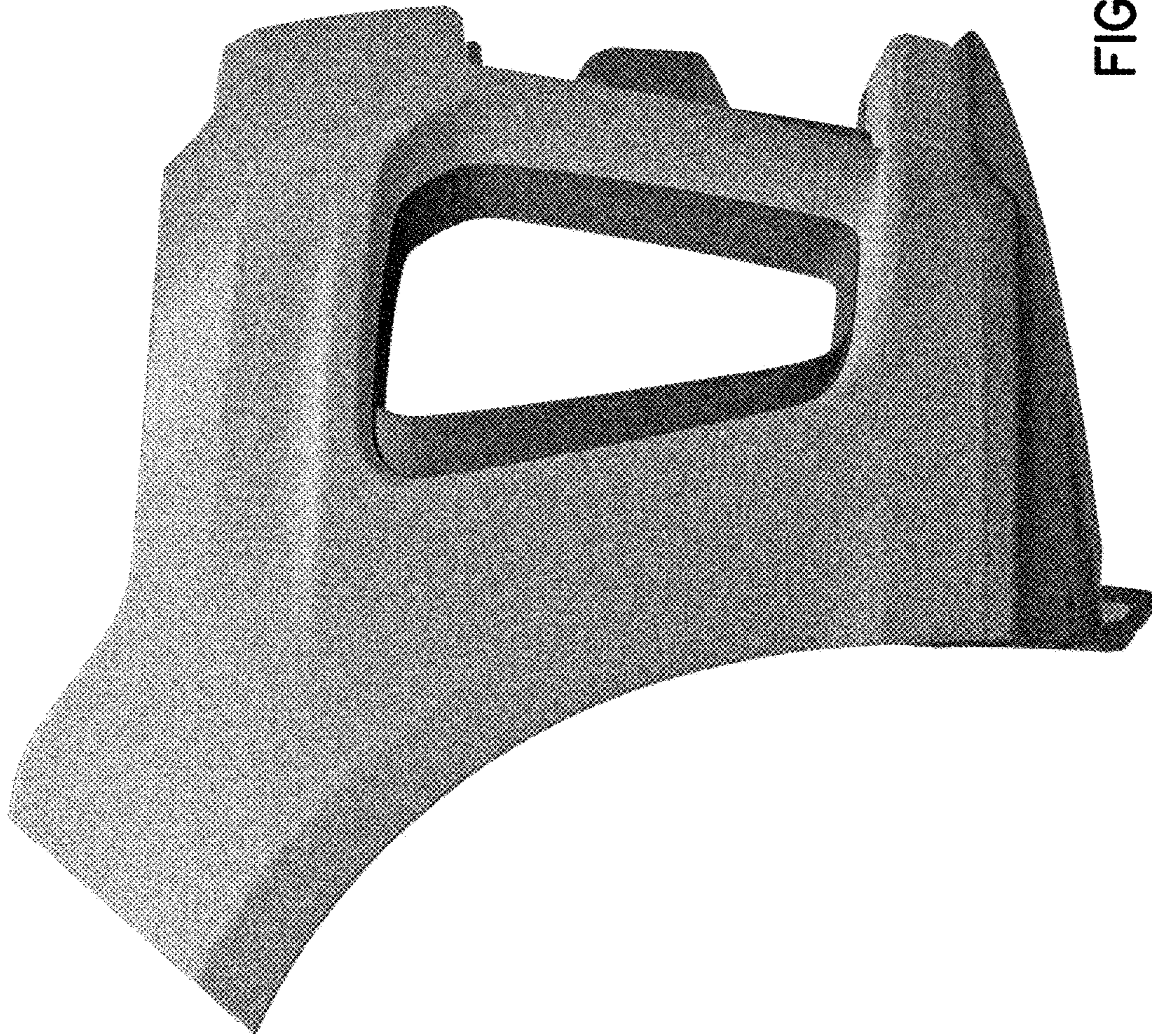


FIG. 7





FIG. 8

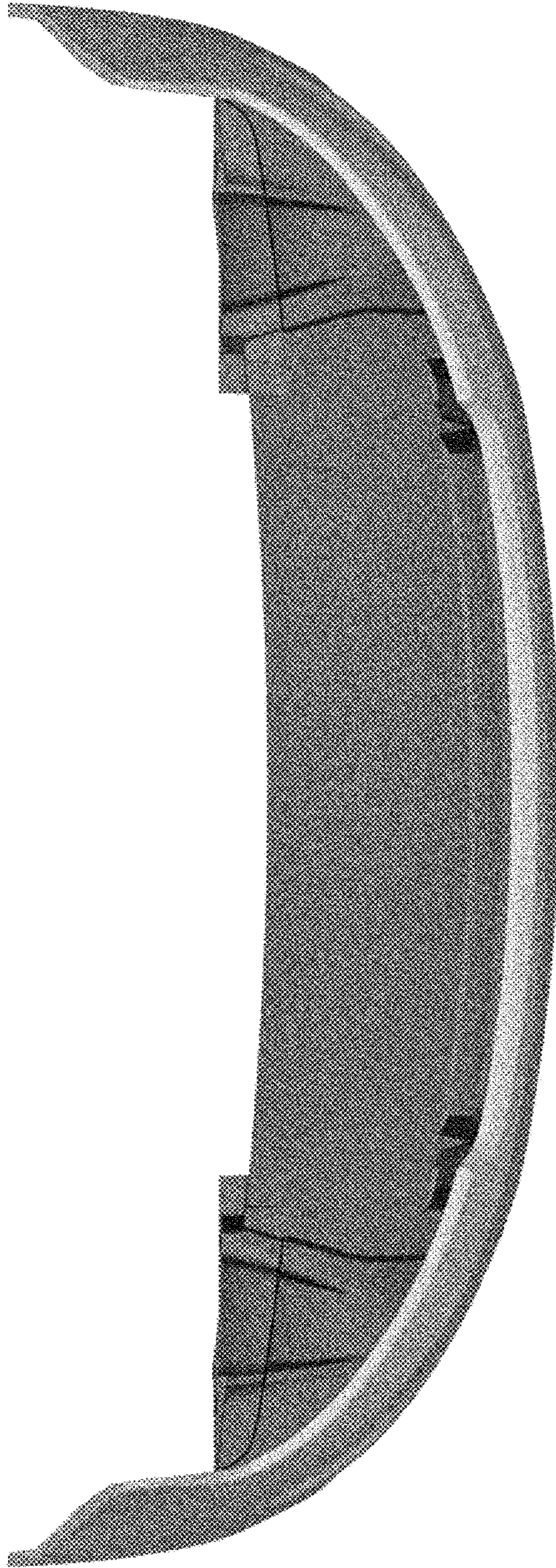


FIG. 9



FIG. 10

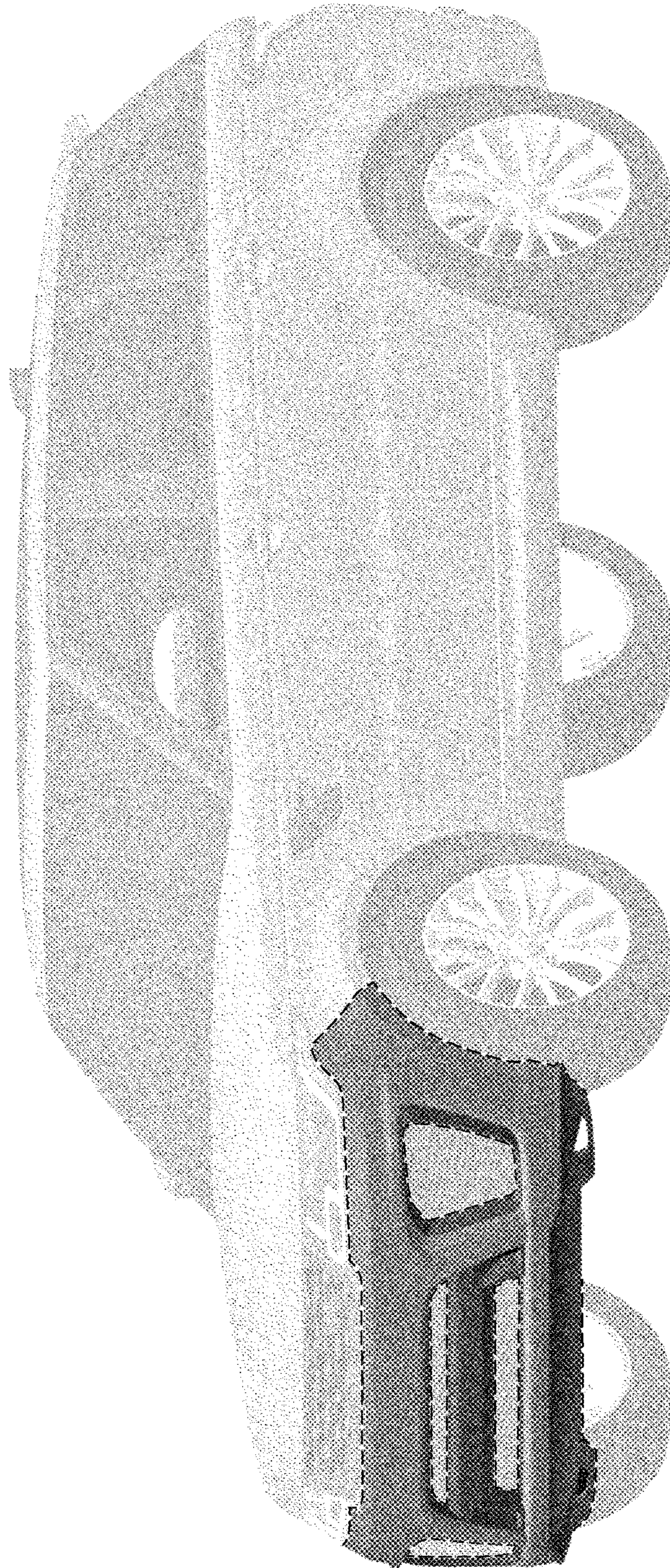


FIG. 11