

US00D860874S

(12) **United States Design Patent**
Shadzi

(10) **Patent No.:** **US D860,874 S**
(45) **Date of Patent:** **** Sep. 24, 2019**

- (54) **FIXED CAMBER MOUNT**
- (71) Applicant: **034Motorsport**, Fremont, CA (US)
- (72) Inventor: **Javad Shadzi**, Fremont, CA (US)
- (73) Assignee: **034MOTORSPORT**, Fremont, CA (US)
- (**) Term: **15 Years**
- (21) Appl. No.: **29/628,549**
- (22) Filed: **Dec. 5, 2017**
- (51) **LOC (12) Cl.** **12-16**
- (52) **U.S. Cl.**
USPC **D12/159**
- (58) **Field of Classification Search**
USPC D12/159
CPC B60G 21/007; B60G 2200/46
See application file for complete search history.

(56) **References Cited**

U.S. PATENT DOCUMENTS

| | | | | | |
|--------------|------|--------|---------|-------|----------------------------|
| 6,027,130 | A * | 2/2000 | Kawabe | | B60G 3/265 280/124.135 |
| D494,894 | S * | 8/2004 | Carlson | | D12/160 |
| 2003/0006574 | A1 * | 1/2003 | Momose | | B60G 15/063 280/124.155 |
| 2006/0125198 | A1 * | 6/2006 | Choi | | B60G 15/068 280/86.752 |
| 2008/0157490 | A1 * | 7/2008 | Hakui | | B60G 7/006 280/5.521 |

| | | | | | |
|--------------|------|---------|-----------|-------|---------------------------|
| 2008/0303233 | A1 * | 12/2008 | Dugandzic | | B60G 13/003 280/86.751 |
| 2010/0072719 | A1 * | 3/2010 | Hsu | | B60G 7/003 280/86.757 |
| 2012/0013095 | A1 * | 1/2012 | Gerrard | | B60G 3/26 280/124.134 |
| 2018/0127034 | A1 * | 5/2018 | Zindler | | B60G 3/26 |
| 2018/0201319 | A1 * | 7/2018 | Rogers | | B60G 15/068 |

* cited by examiner

Primary Examiner — Michael A. Pratt

(74) *Attorney, Agent, or Firm* — Schwabe Williamson & Wyatt, PC

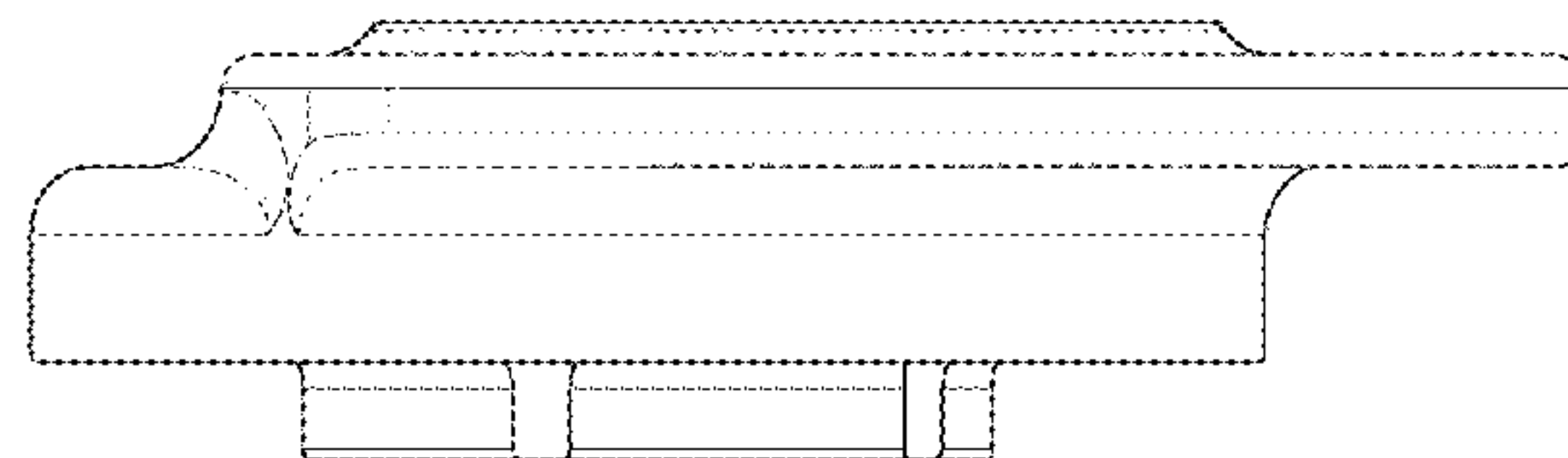
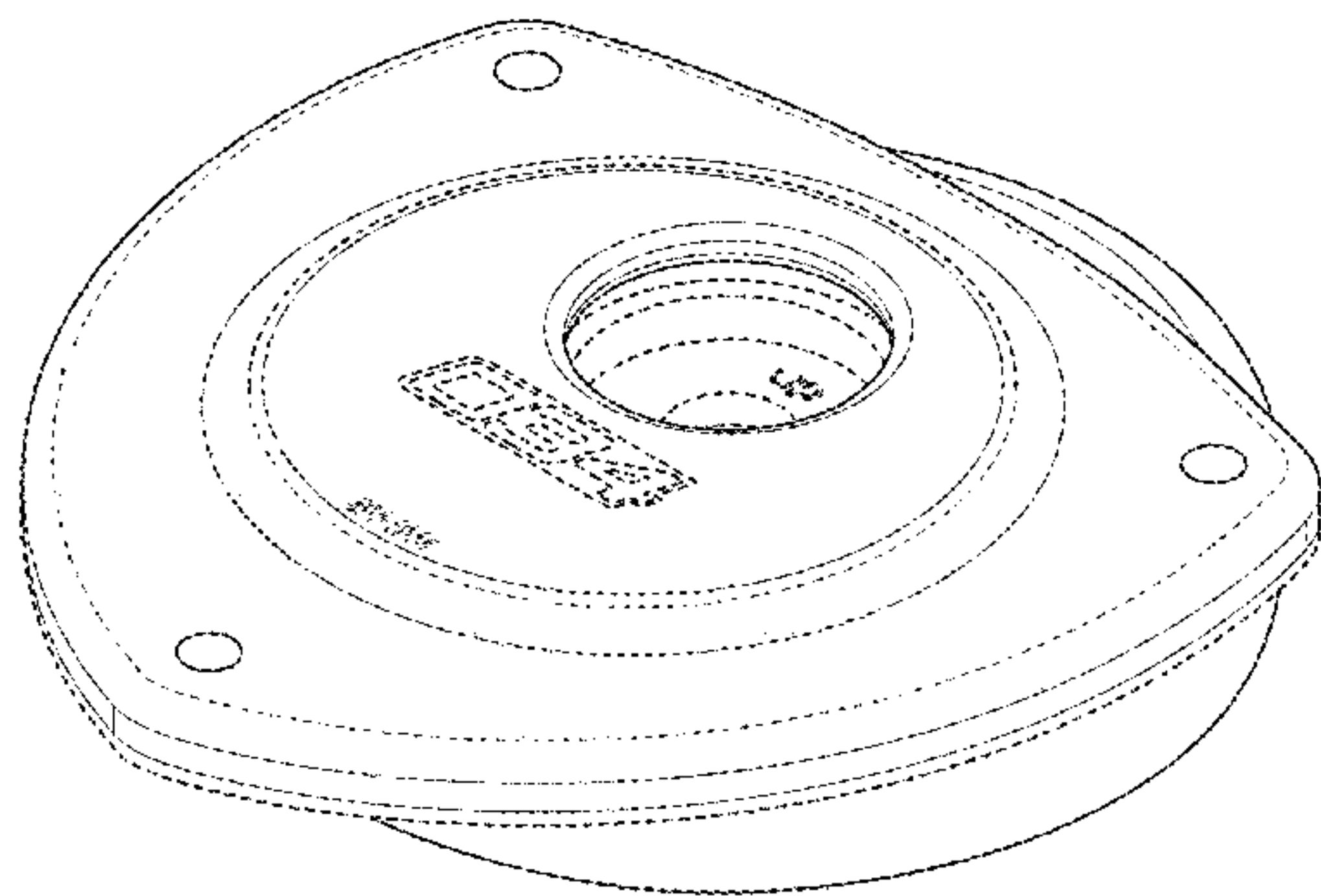
(57) **CLAIM**

I claim an ornamental design for a fixed camber mount, as shown and described.

DESCRIPTION

FIG. 1 is a perspective view of a fixed camber mount, showing our new design;
 FIG. 2 is a front view thereof;
 FIG. 3 is a rear view thereof;
 FIG. 4 is a right view thereof;
 FIG. 5 is a left view thereof;
 FIG. 6 is a top view thereof; and,
 FIG. 7 is a bottom view thereof.
 The dashed lines are included for illustrating interior and/or environmental structures and form no part of the claimed design.

1 Claim, 7 Drawing Sheets



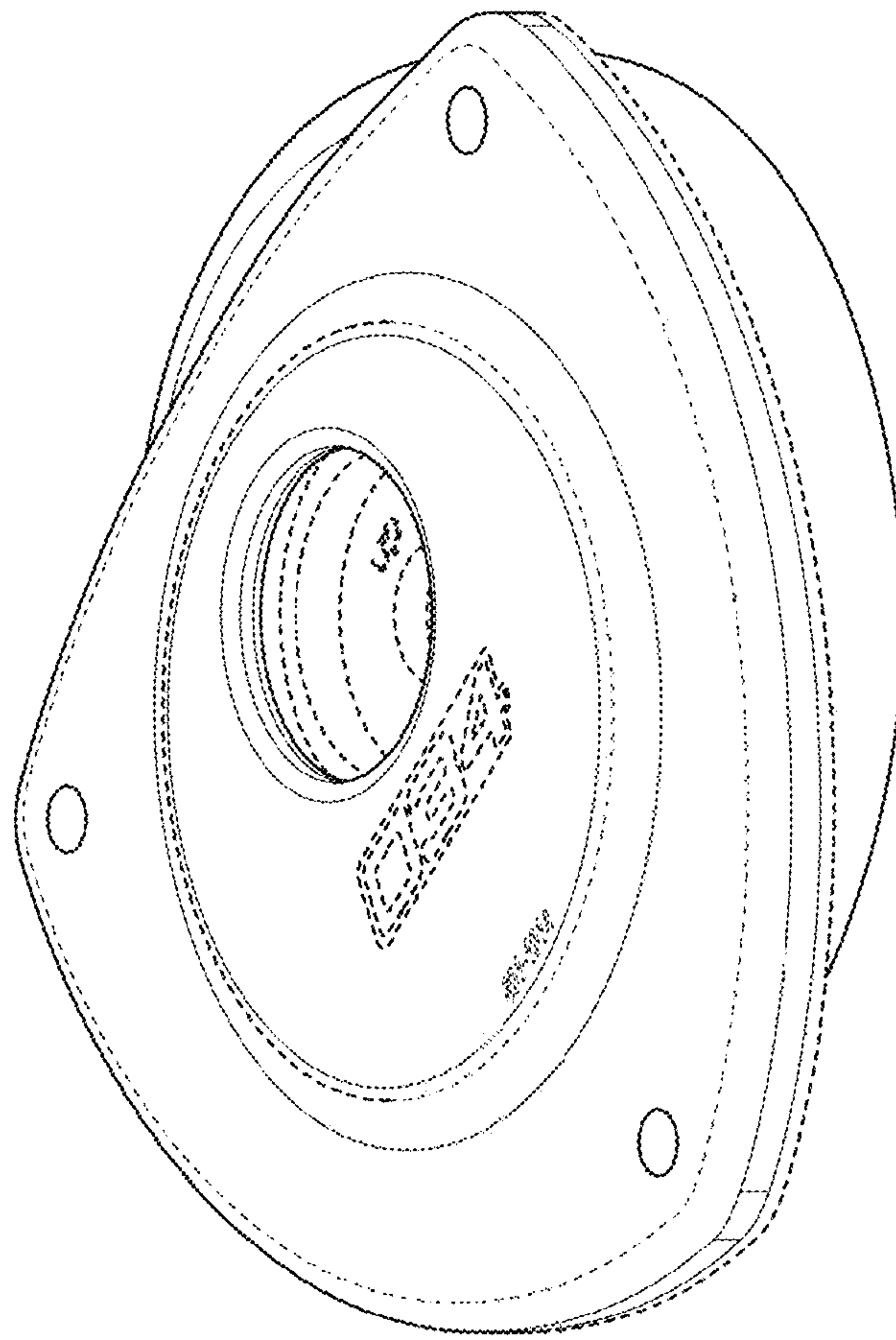


FIG. 1

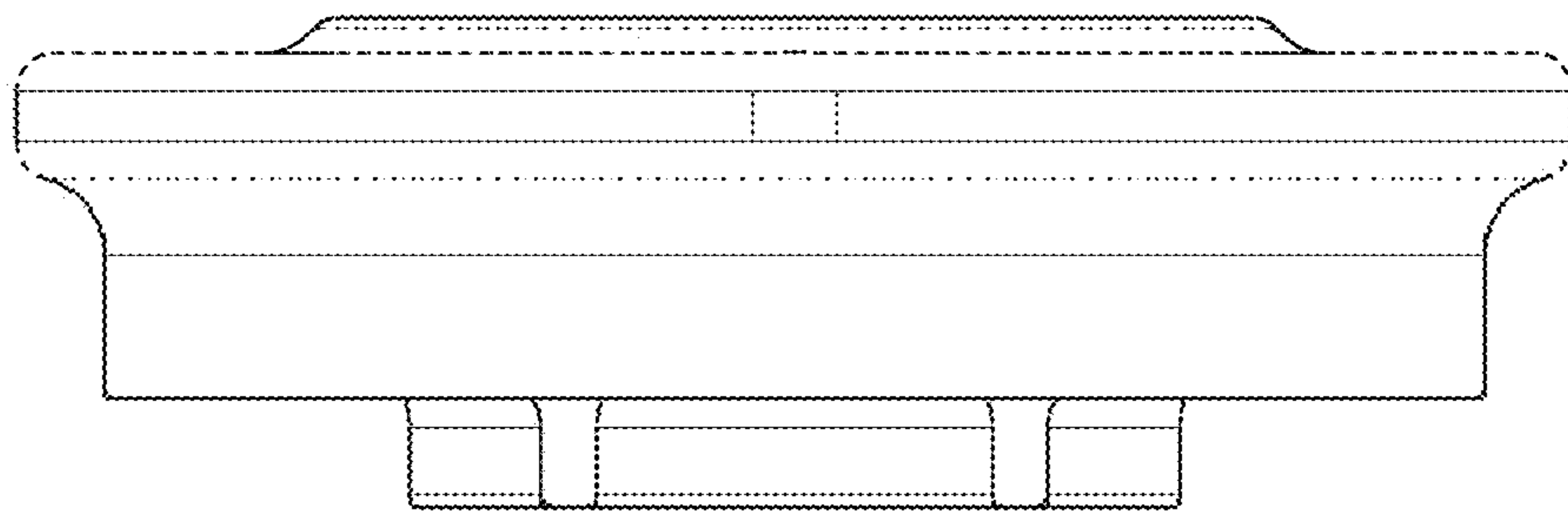


FIG. 2

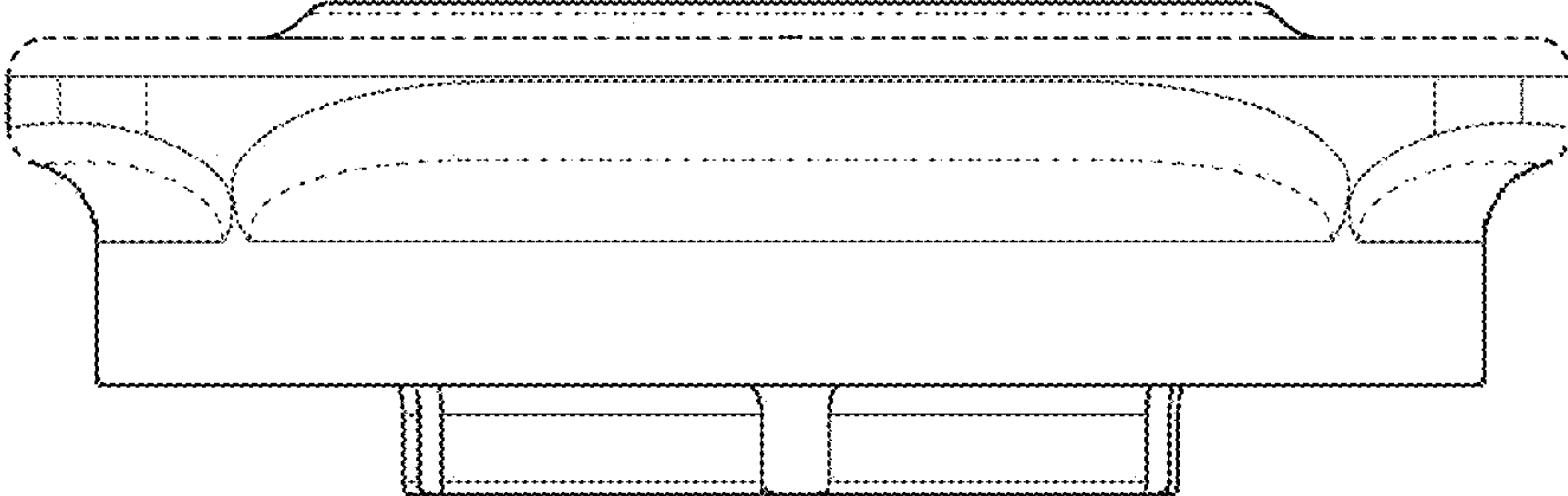


FIG. 3

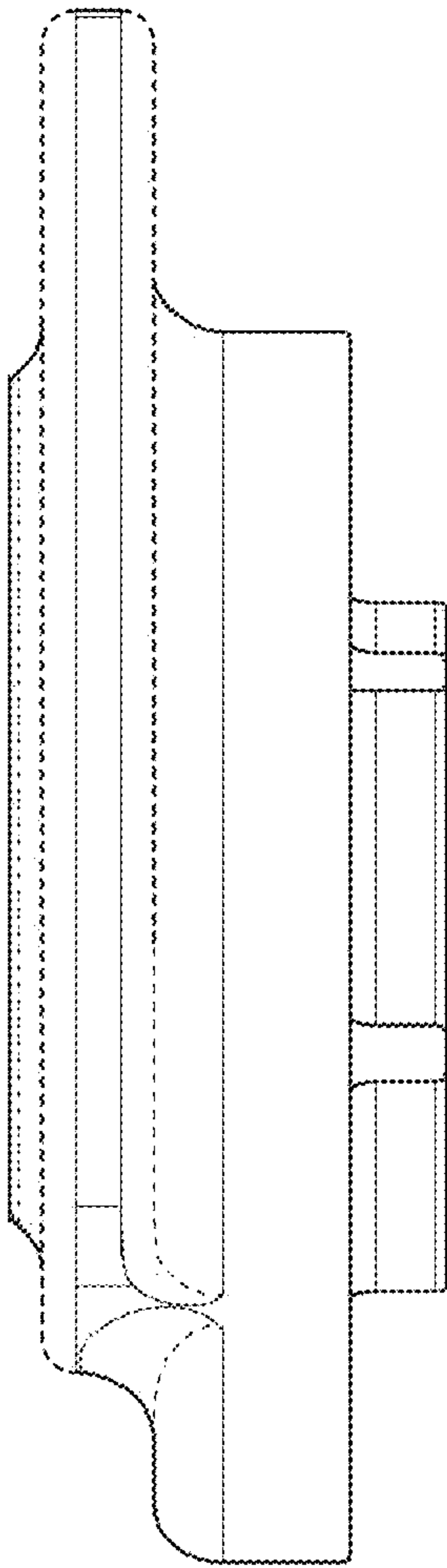


FIG. 4

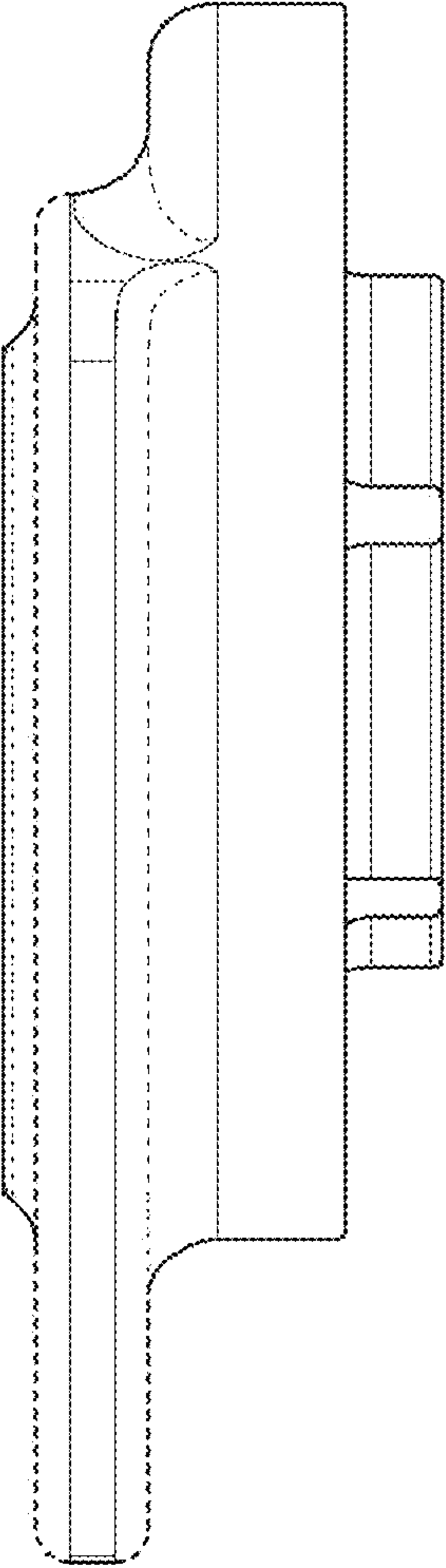


FIG. 5

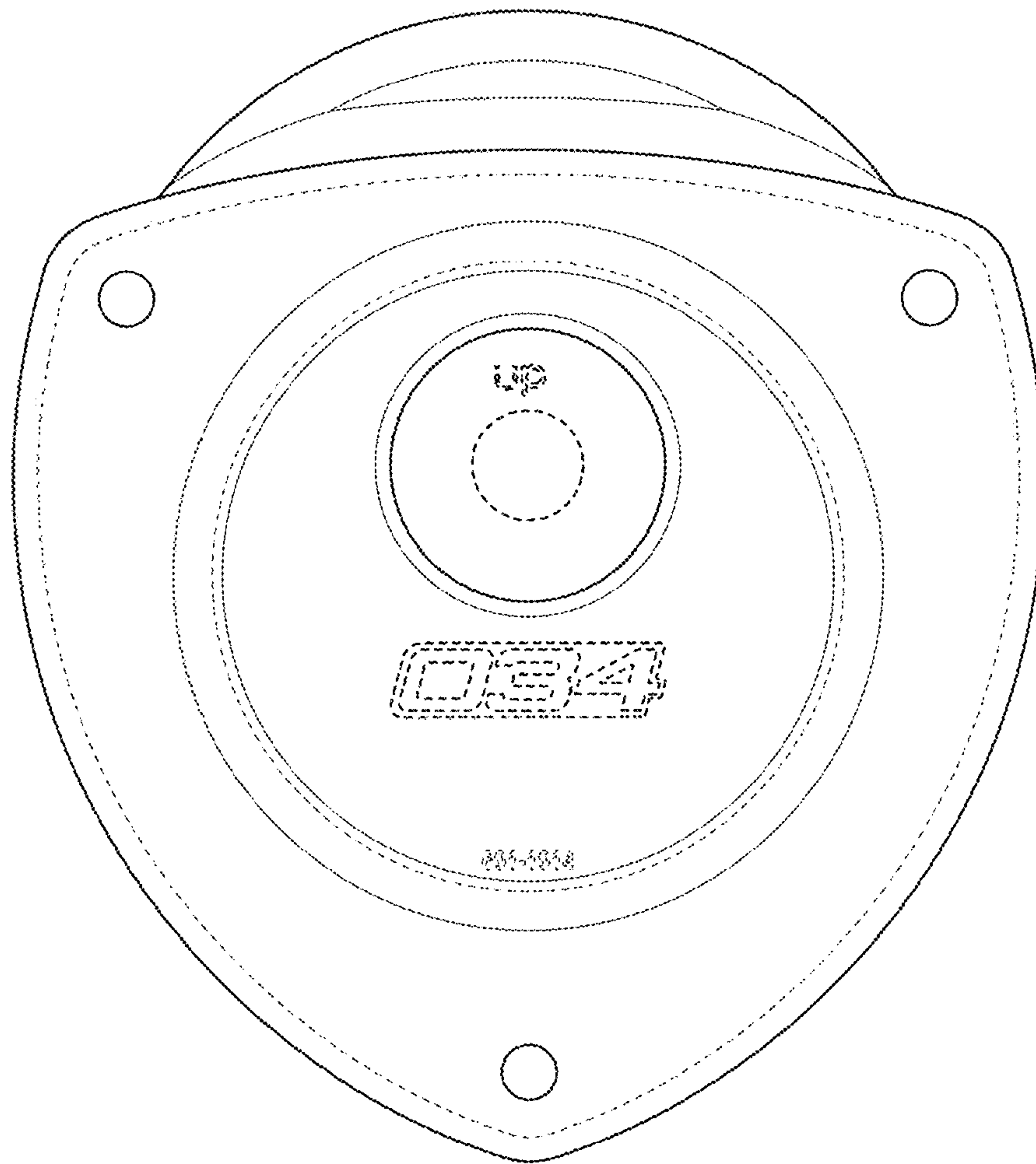


FIG. 6

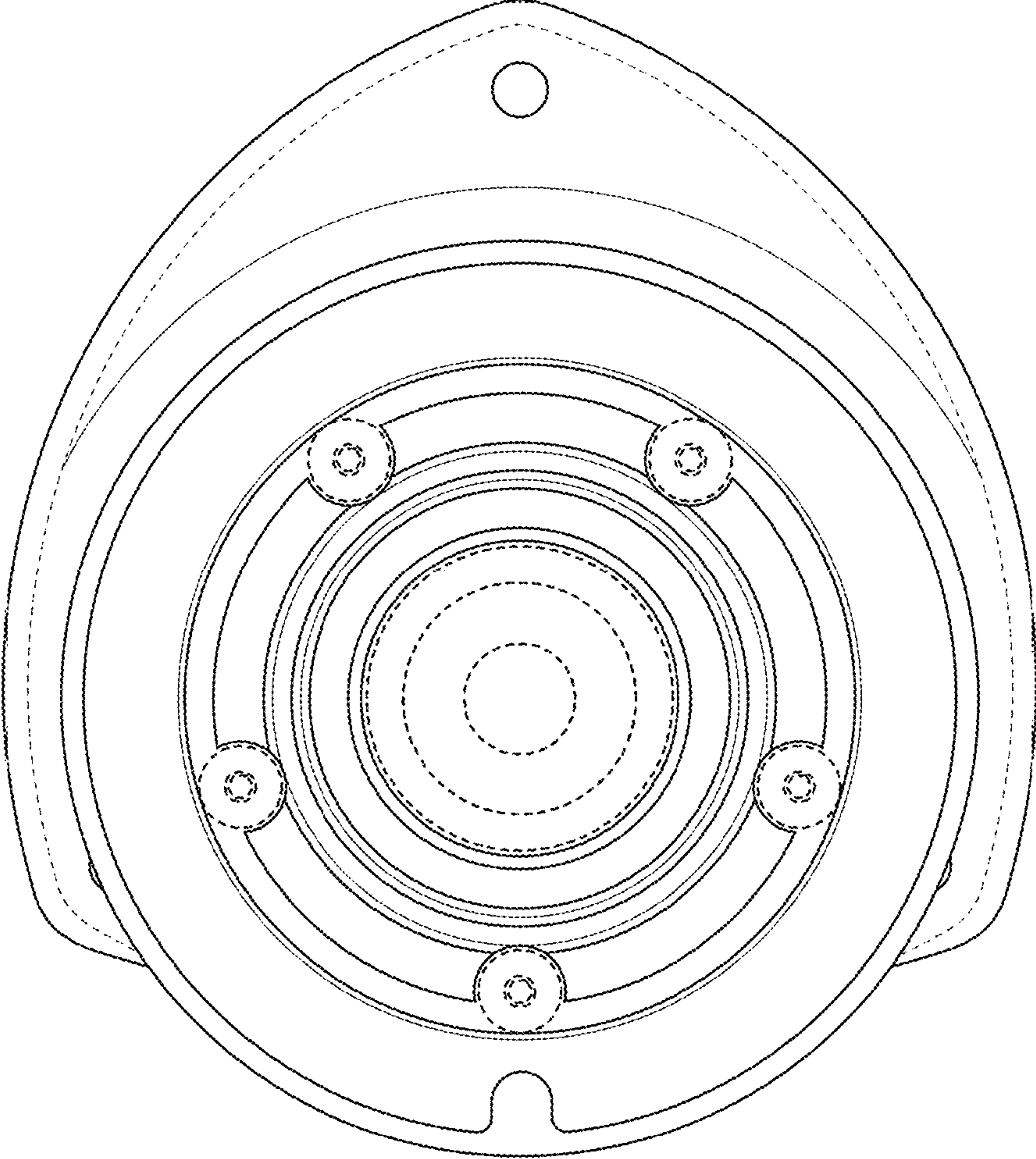


FIG. 7