

US00D860870S

(12) **United States Design Patent** (10) **Patent No.:** **US D860,870 S**
Zhou (45) **Date of Patent:** **** Sep. 24, 2019**

(54) **MOBILE PHONE CASE FOR BICYCLES**

(71) Applicant: **Xinqiang Zhou**, Guangdong (CN)

(72) Inventor: **Xinqiang Zhou**, Guangdong (CN)

(73) Assignee: **Shenzhen Xinhuihao Technology Co., Ltd.**, Shenzhen, Guangdong (CN)

(**) Term: **15 Years**

(21) Appl. No.: **29/642,329**

(22) Filed: **Mar. 29, 2018**

(51) **LOC (12) Cl.** **12-11**

(52) **U.S. Cl.**
USPC **D12/114**

(58) **Field of Classification Search**
USPC D12/114, 178, 400, 415, 407, 187, 188,
D12/189; D14/432, 443, 447; D3/303
CPC A45C 11/00; A45C 2011/002; A45C
2011/001
See application file for complete search history.

(56) **References Cited**

U.S. PATENT DOCUMENTS

- D382,996 S * 9/1997 Kopel D3/218
- D453,417 S * 2/2002 Badillo A45C 11/00
D3/218
- D459,887 S * 7/2002 Johnson D3/303
- 6,772,879 B1 * 8/2004 Domotor A45C 11/00
206/320
- 7,515,708 B1 * 4/2009 Doty, III H04M 1/19
379/433.11
- D602,689 S * 10/2009 Hewitt D3/247
- D680,743 S * 4/2013 Chang D3/303
- D680,744 S * 4/2013 Rashid D3/303
- D681,332 S * 5/2013 Rashid D3/303
- D685,366 S * 7/2013 Ding D14/253

- D686,200 S * 7/2013 Huang D14/253
- D686,609 S * 7/2013 Kadivar D14/253
- D694,013 S * 11/2013 Hyzdu D3/303
- D703,944 S * 5/2014 Marks D3/203.5
- D703,949 S * 5/2014 Chappell D3/249
- D716,045 S * 10/2014 Requa D3/249
- D753,387 S * 4/2016 Now D3/230
- D764,168 S * 8/2016 Hyslop D3/218
- D778,899 S * 2/2017 Khalili D14/250
- D796,183 S * 9/2017 Zhou D3/203.1
- 2008/0007214 A1 * 1/2008 Cheng H02J 7/0044
320/114
- 2009/0134190 A1 * 5/2009 O'Neill A45C 11/00
224/191
- 2013/0199948 A1 * 8/2013 Lebauer B65D 81/02
206/216

* cited by examiner

Primary Examiner — Michelle E. Wilson

Assistant Examiner — Clese Moore, Jr.

(74) *Attorney, Agent, or Firm* — Justin Lampel

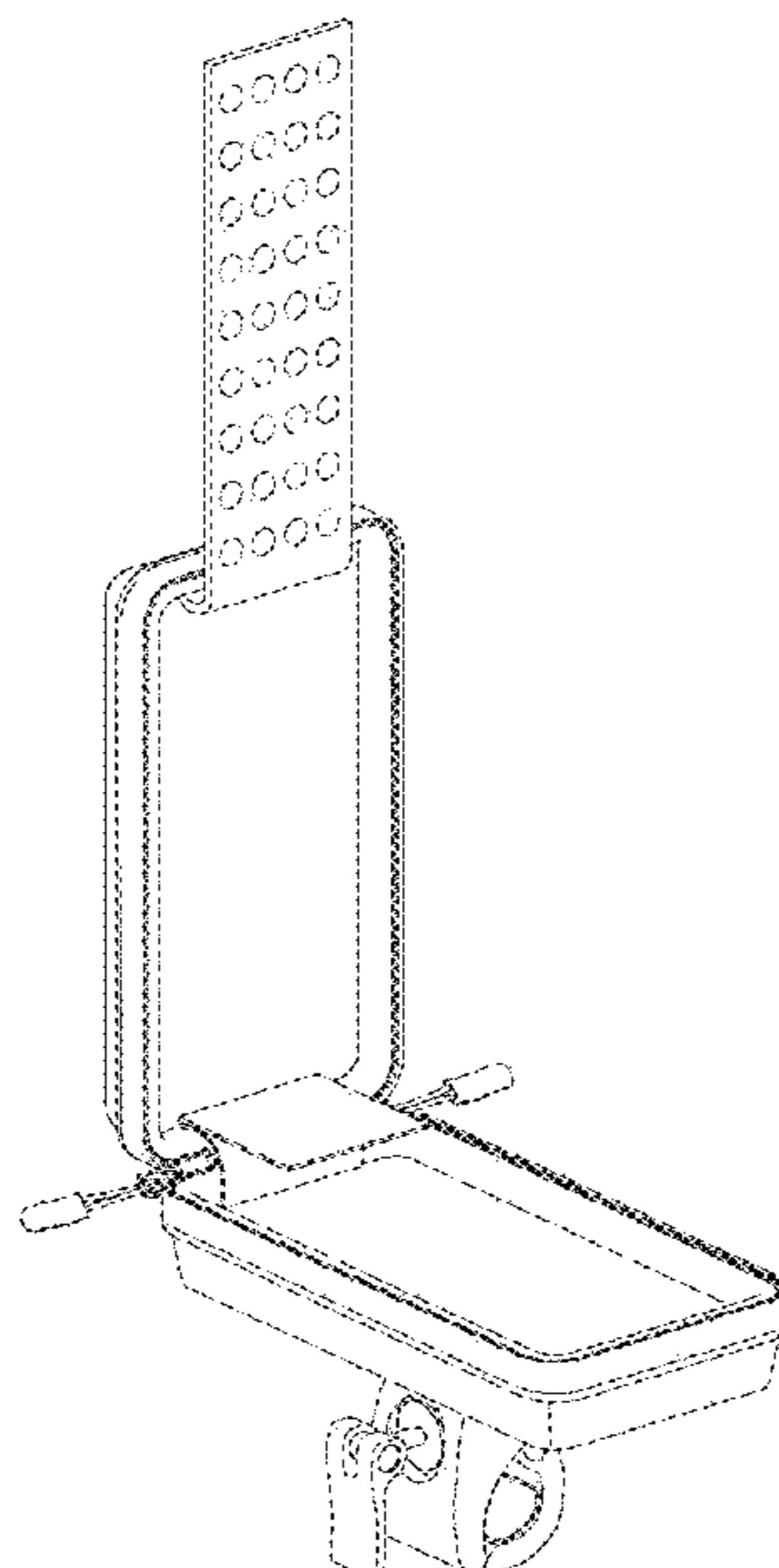
(57) **CLAIM**

The ornamental design for a mobile phone case for bicycles, as shown and described.

DESCRIPTION

FIG. 1 is a perspective view of a mobile phone case for bicycles showing my new design;
 FIG. 2 is a perspective view of a mobile phone case for bicycles thereof;
 FIG. 3 is a front side view thereof;
 FIG. 4 is a rear side view thereof;
 FIG. 5 is a right side view thereof;
 FIG. 6 is a left side view thereof;
 FIG. 7 is a bottom plan view thereof; and,
 FIG. 8 is a top plan view thereof.

1 Claim, 8 Drawing Sheets



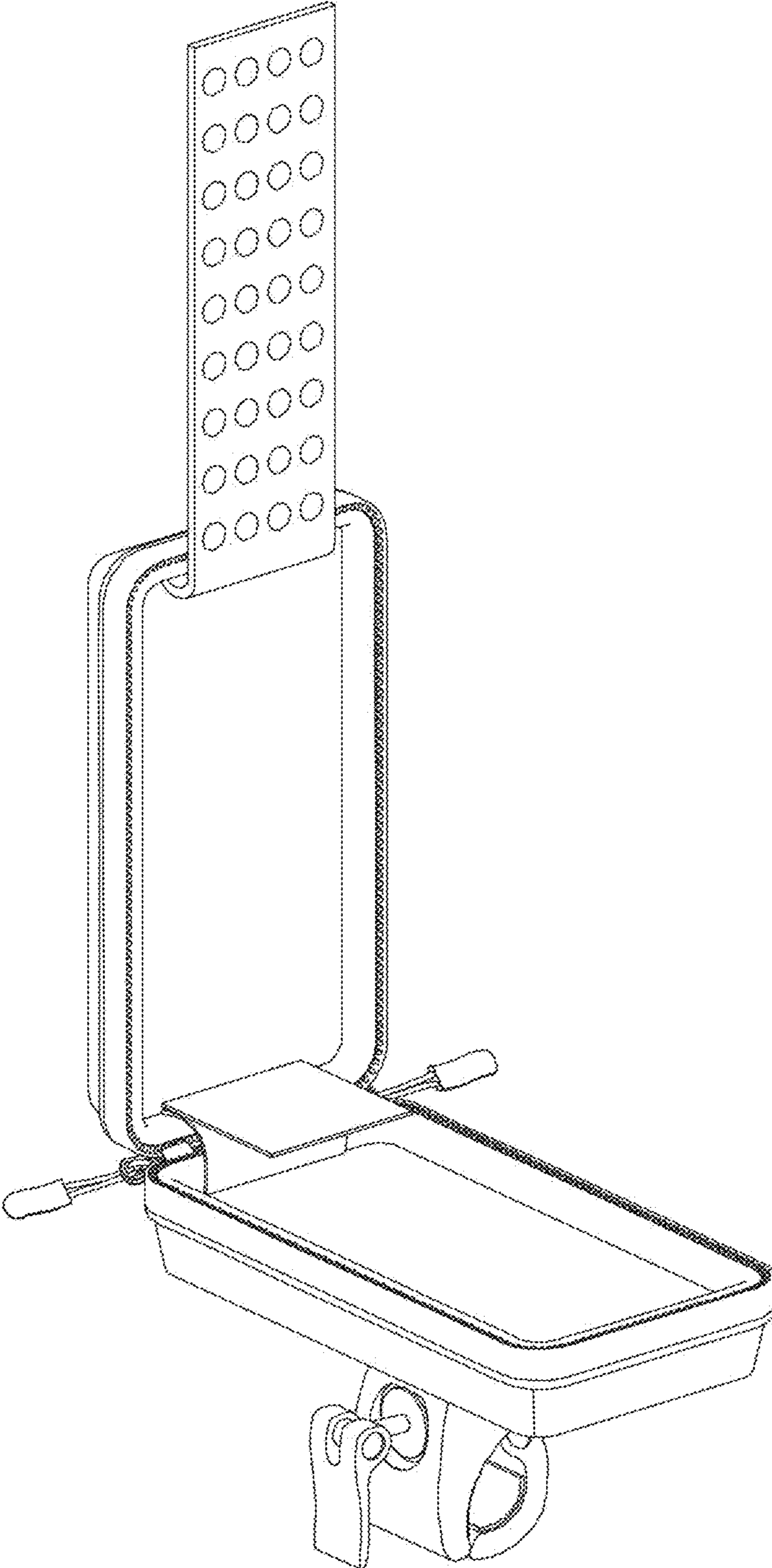


FIG. 1

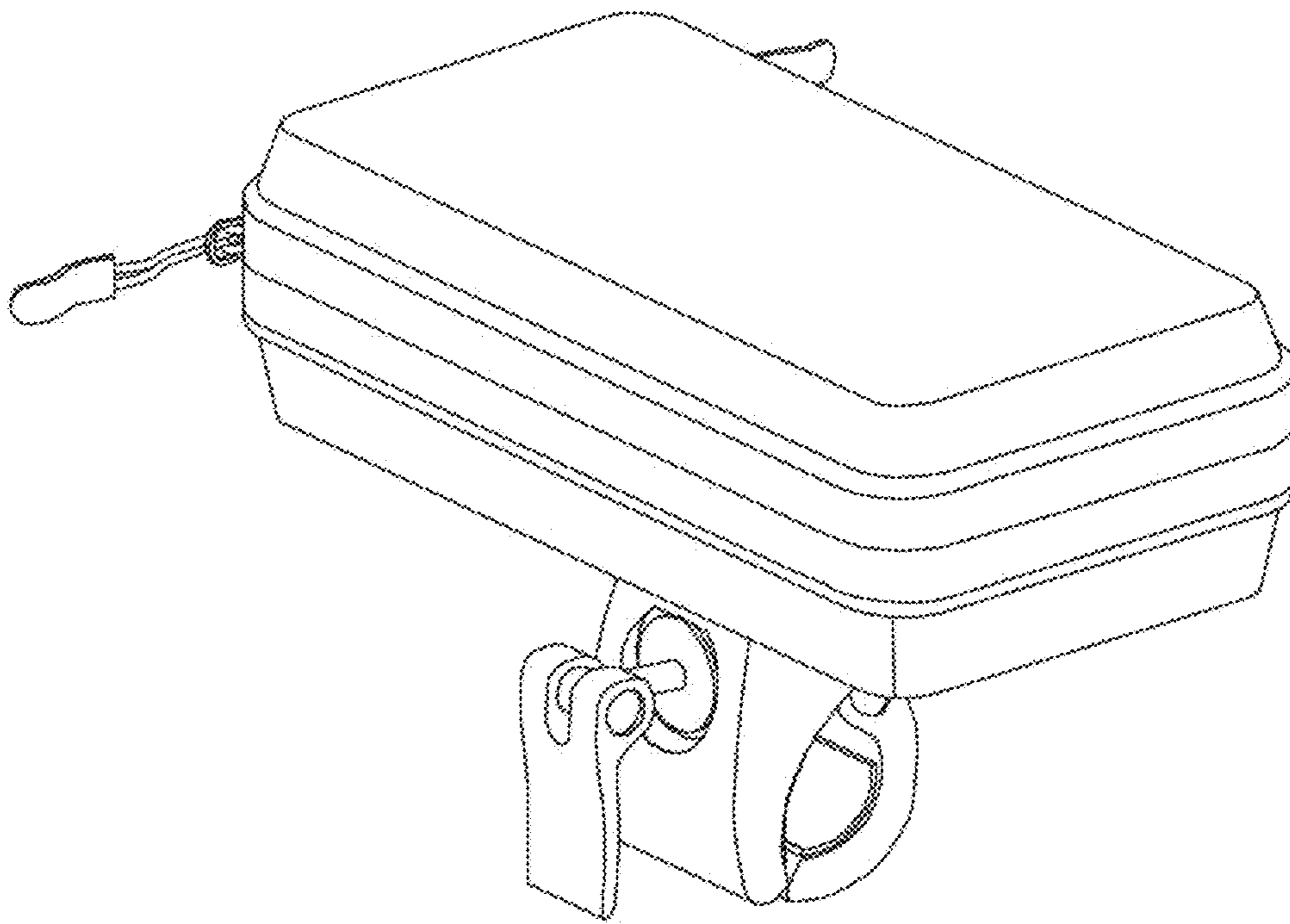


FIG. 2

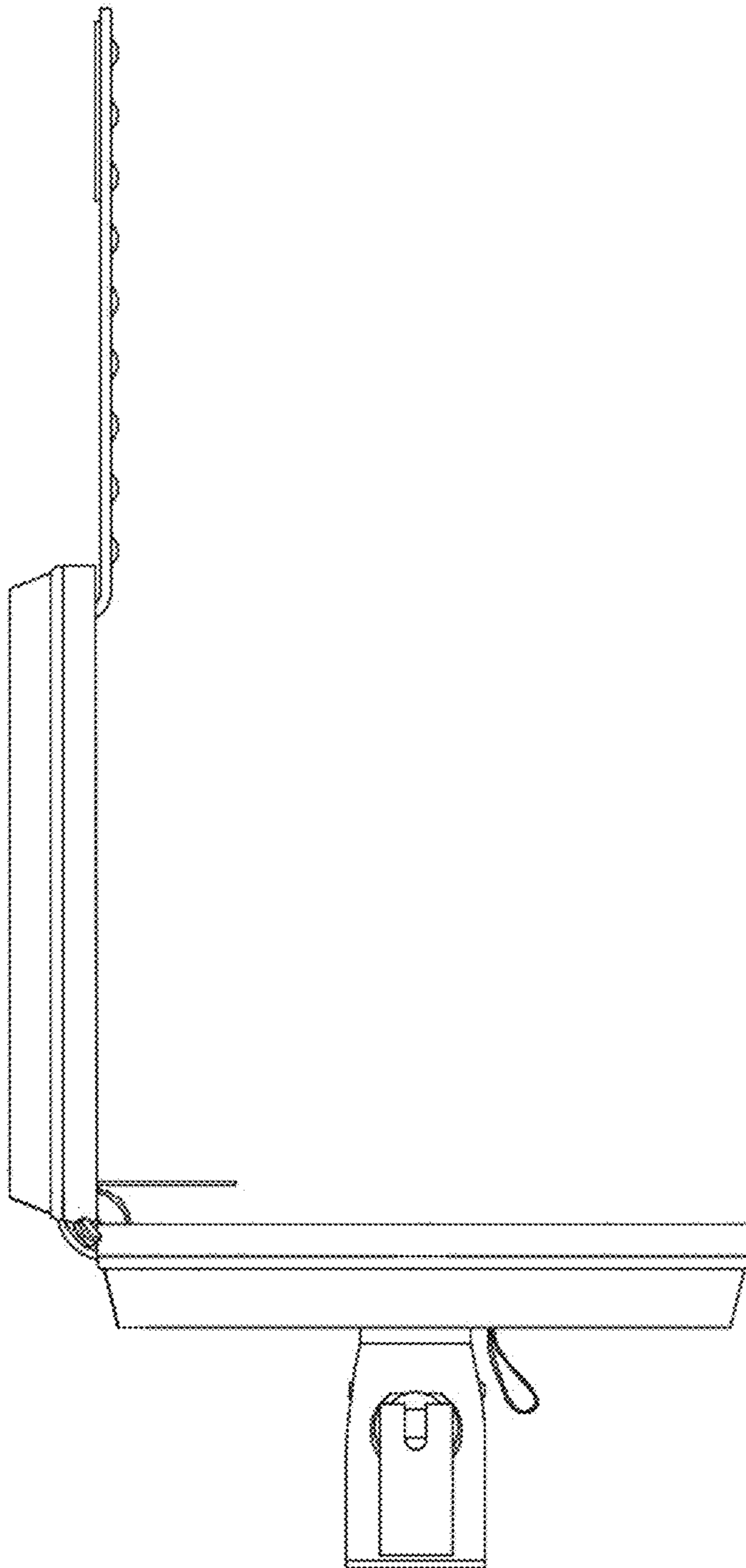


FIG. 3

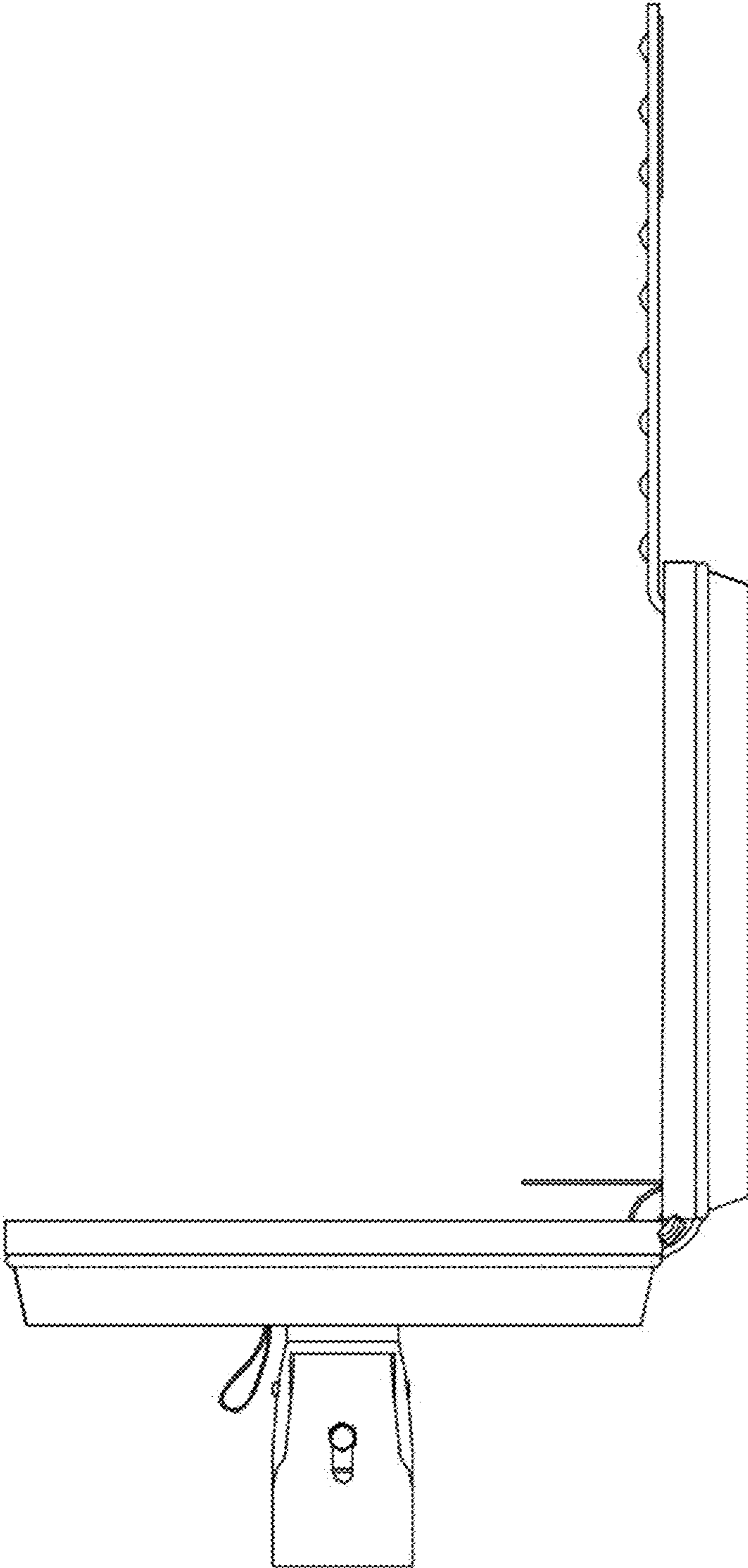


FIG. 4

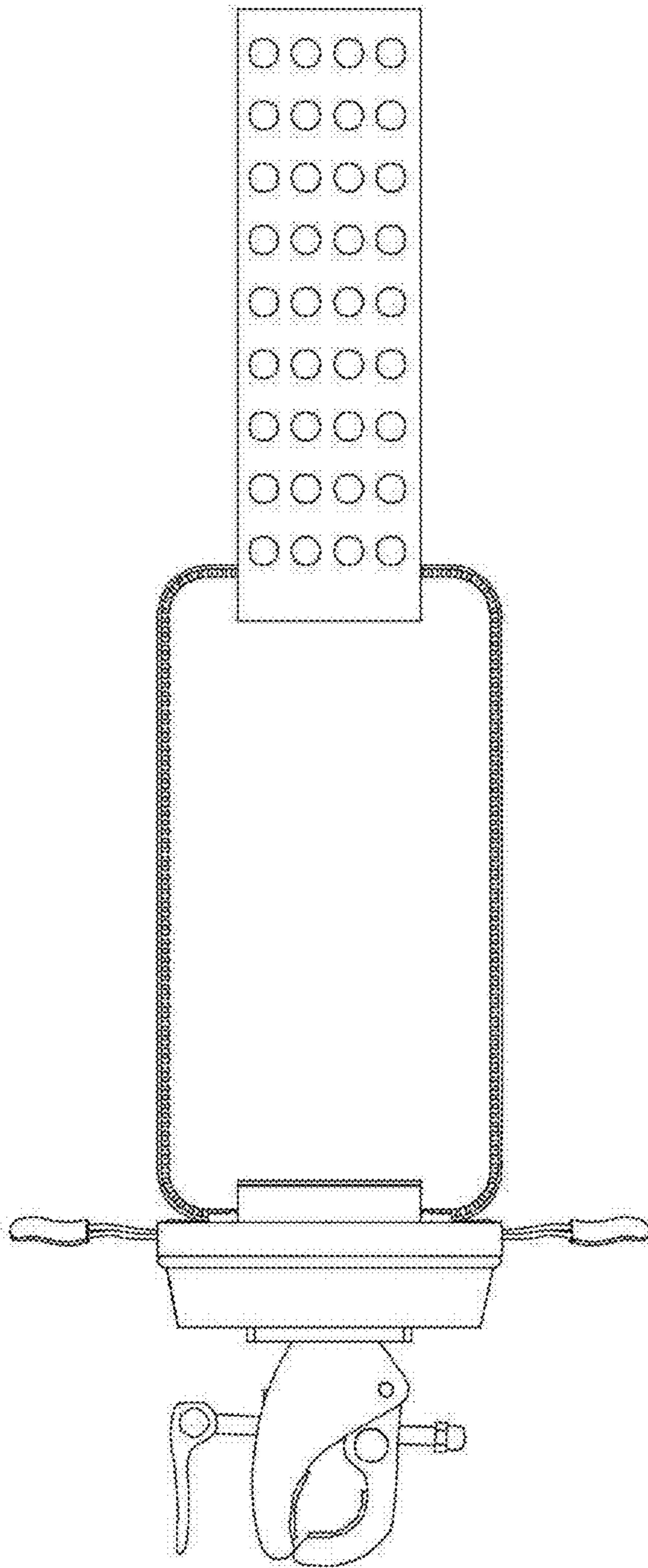


FIG. 5

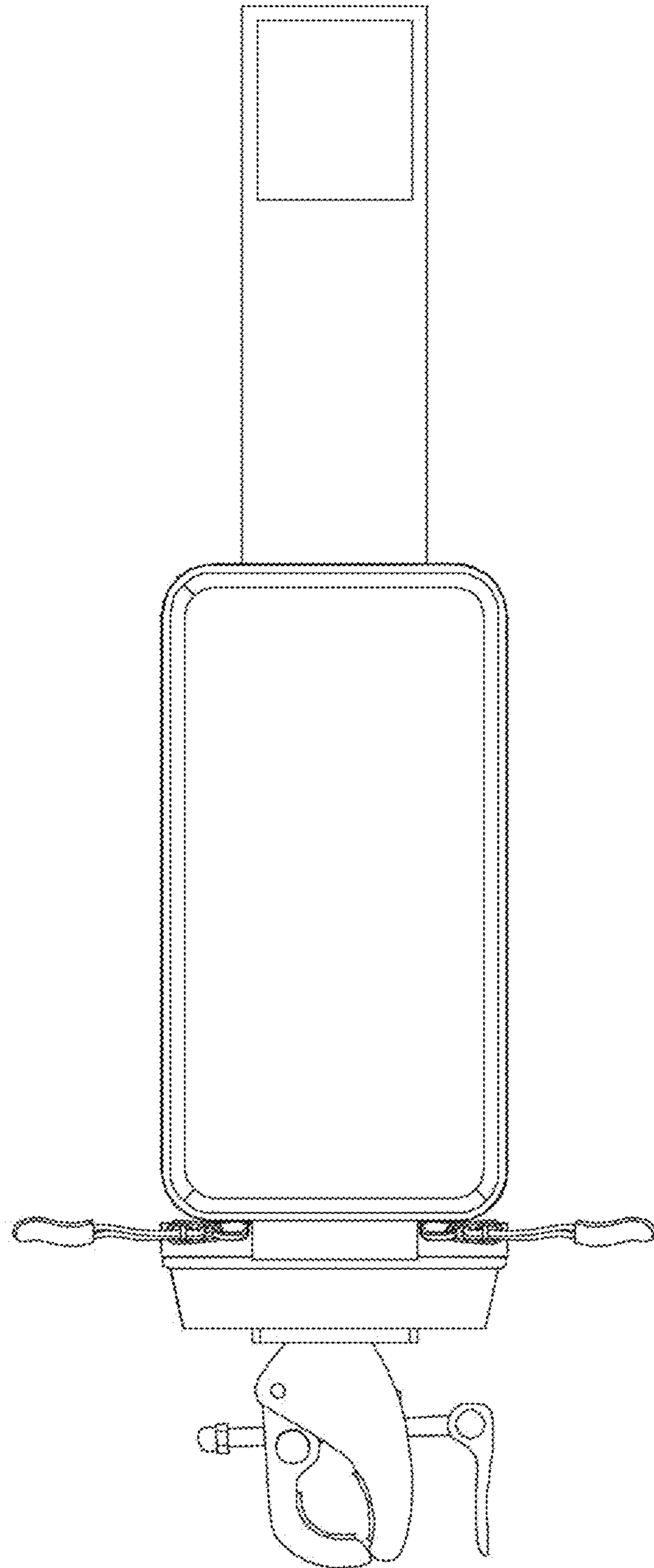


FIG. 6

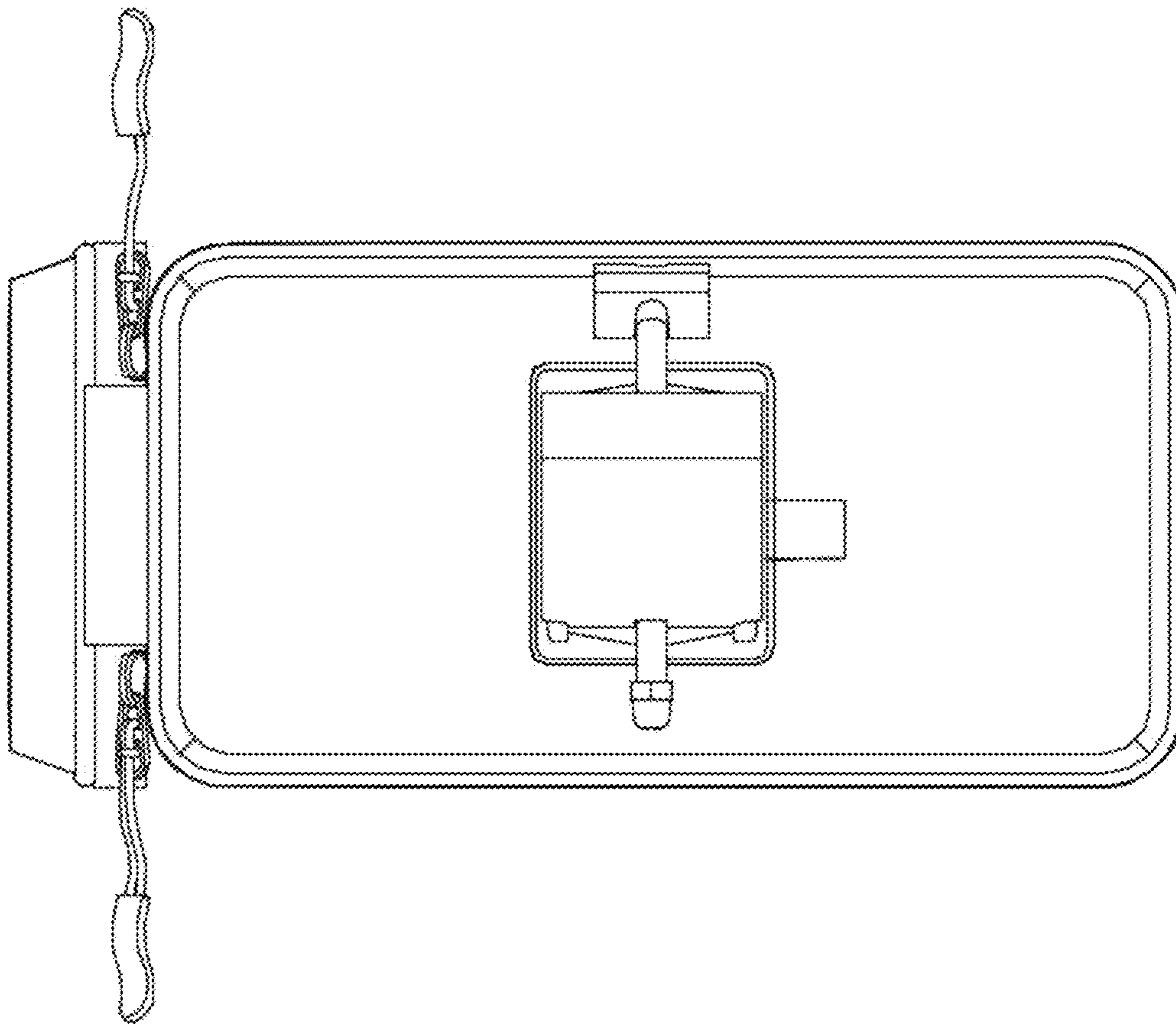


FIG. 7

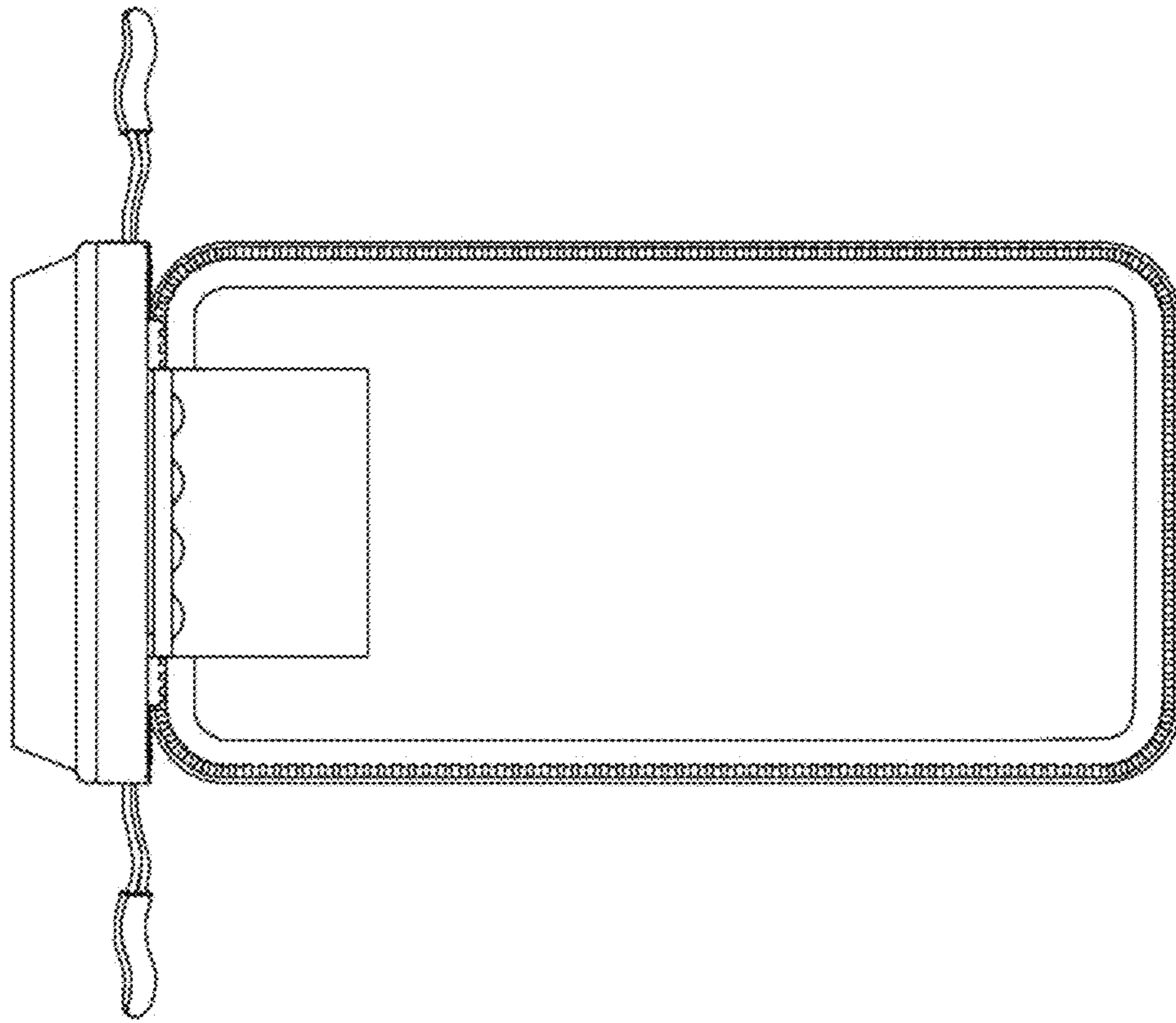


FIG. 8