

US00D860869S

(12) **United States Design Patent**  
**Moore et al.**

(10) **Patent No.:** **US D860,869 S**  
(45) **Date of Patent:** **\*\* Sep. 24, 2019**

(54) **VEHICLE ATTACHABLE LAND LEVELING DEVICE**

(71) Applicants: **Ernie E. Moore**, Cleveland, MS (US);  
**Deborah L Taylor**, Cleveland, MS (US)

(72) Inventors: **Ernie E. Moore**, Cleveland, MS (US);  
**Deborah L Taylor**, Cleveland, MS (US)

(73) Assignee: **Moore's Welding and Fabrication, LLC**

(\*\*) Term: **15 Years**

(21) Appl. No.: **29/649,106**

(22) Filed: **May 25, 2018**

(51) **LOC (12) Cl.** ..... **12-10**

(52) **U.S. Cl.**  
USPC ..... **D12/101**

(58) **Field of Classification Search**  
USPC ..... D12/93-106, 400, 406, 408, 412-414,  
D12/414.1

CPC .. B60P 1/56; B60P 3/105; B60P 3/222; B60P  
3/224; B62D 21/20; B62D 63/061; B23K  
31/02

See application file for complete search history.

(56) **References Cited**

**U.S. PATENT DOCUMENTS**

D230,725 S \* 3/1974 Lundell ..... D12/101  
D791,646 S \* 7/2017 Guy ..... D12/104  
D845,176 S \* 4/2019 McElwain ..... D12/101

**OTHER PUBLICATIONS**

Dirt Dog Manufacturing's ATV/UTV Equipment screen shot taken Aug. 25, 2018.

\* cited by examiner

*Primary Examiner* — Abraham Bahta

(74) *Attorney, Agent, or Firm* — Veritay Group IP; Susan B. Fentres

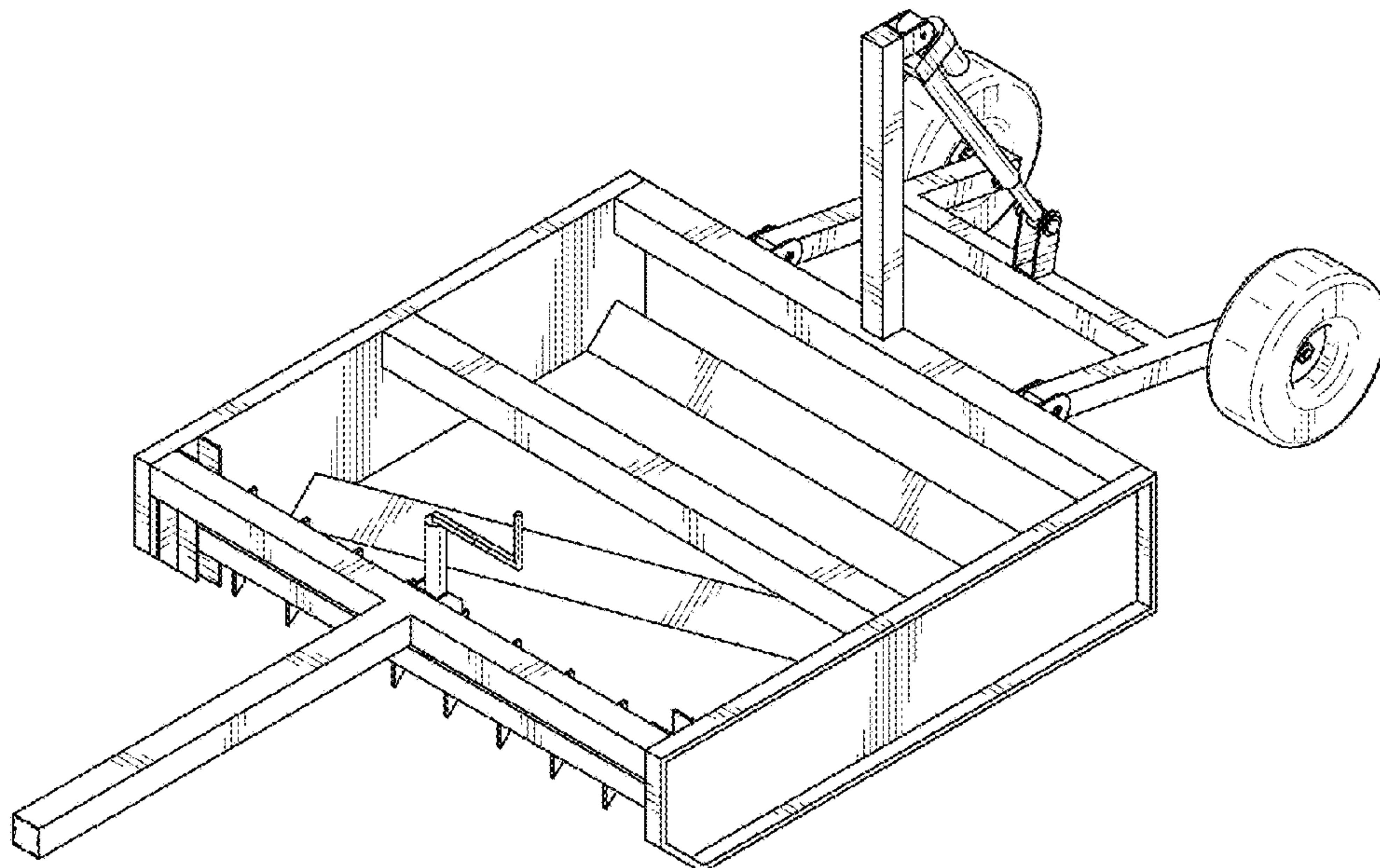
(57) **CLAIM**

The ornamental design for a vehicle attachable land leveling device, as shown and described.

**DESCRIPTION**

FIG. 1 is a top isometric view of the vehicle attachable land leveling device showing our new design; FIG. 2 is a bottom isometric view thereof; FIG. 3 is front view of FIG. 1; FIG. 4 is a right side view of FIG. 1; FIG. 5 is a rear view of FIG. 1; FIG. 6 is a left side view of FIG. 1; FIG. 7 is a top view of FIG. 1; FIG. 8 is a bottom view of FIG. 1; and, FIG. 9 is a cross-sectional view taken from line 9-9 in FIG. 7.

**1 Claim, 9 Drawing Sheets**



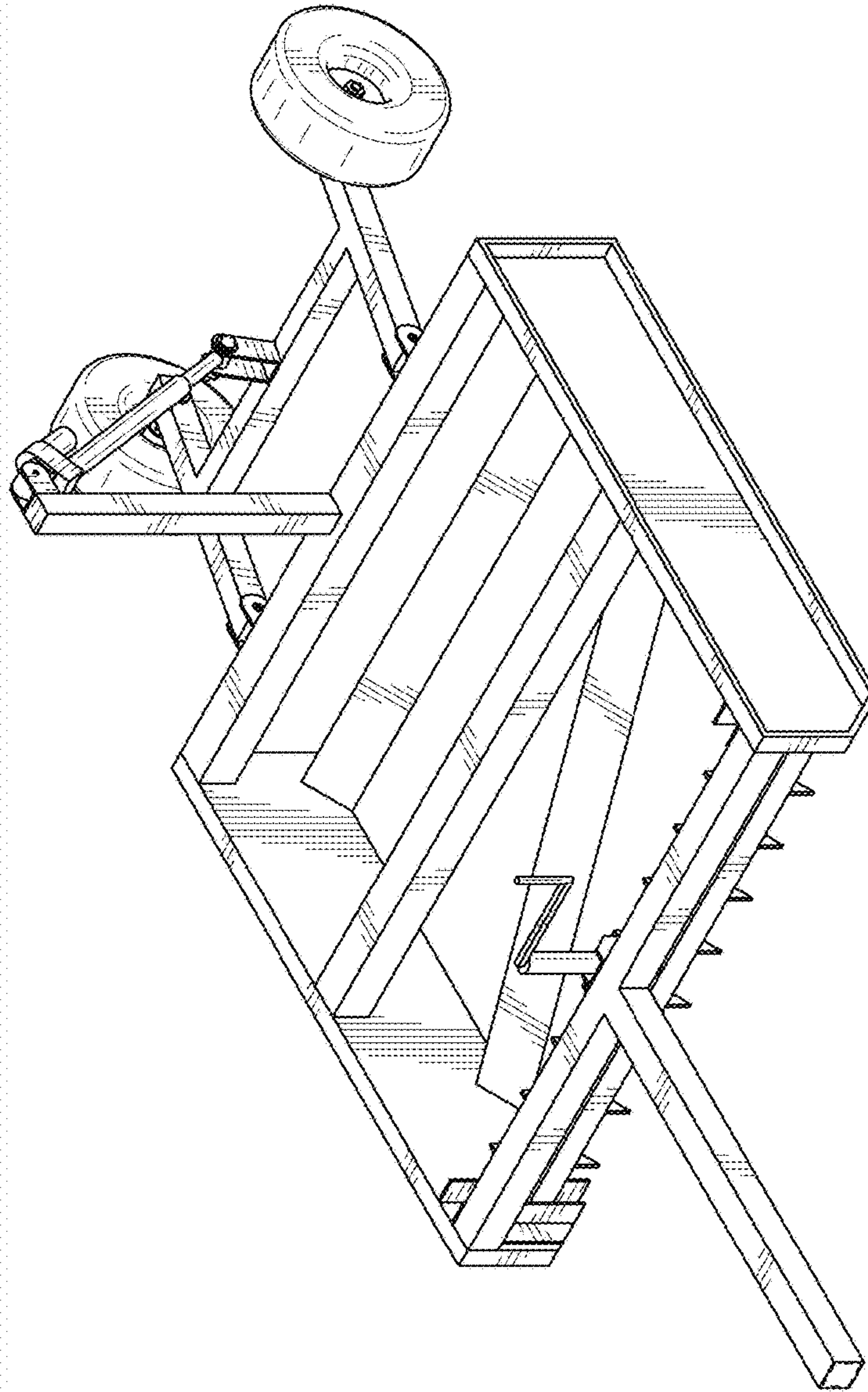


FIG. 1

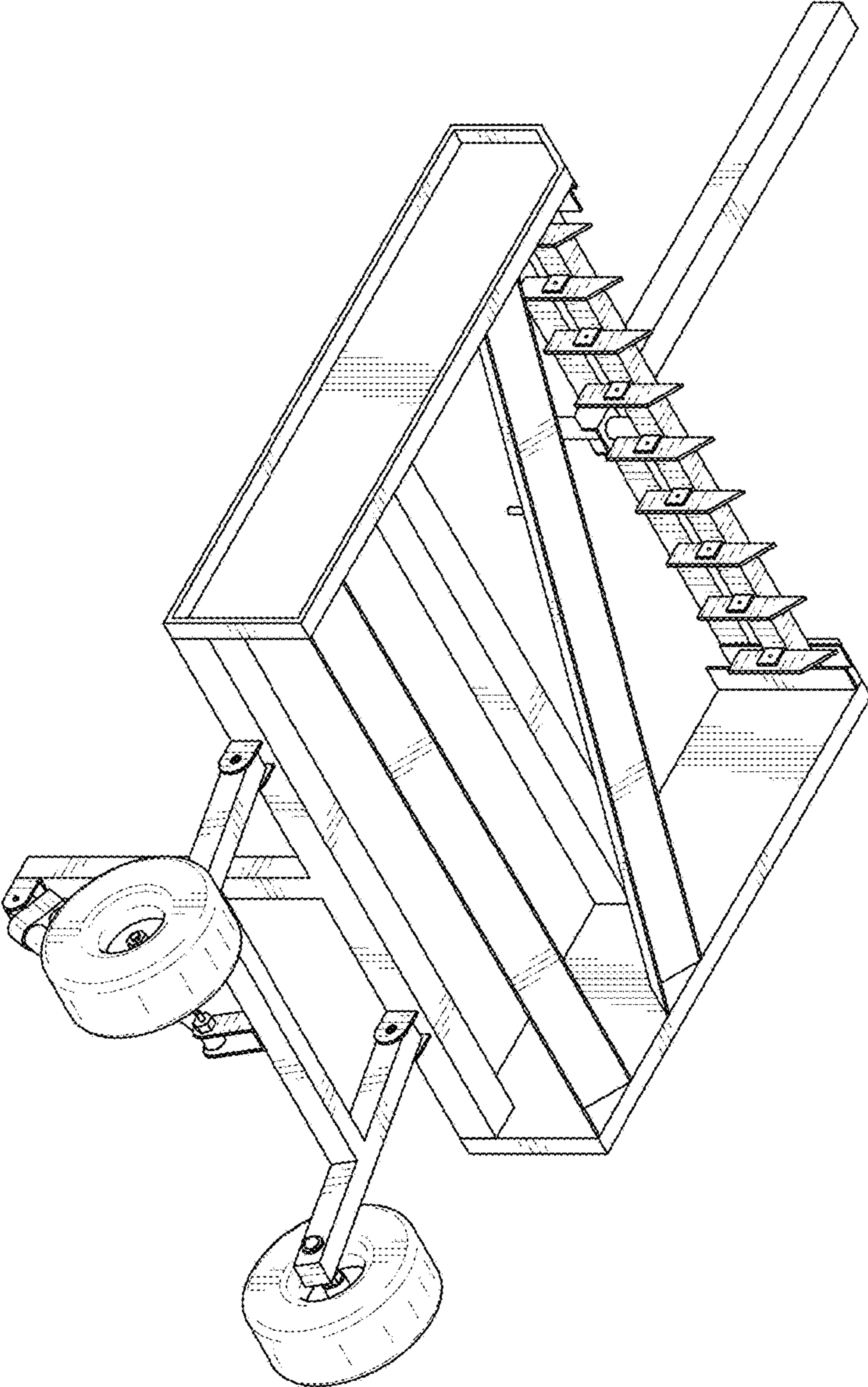


FIG. 2



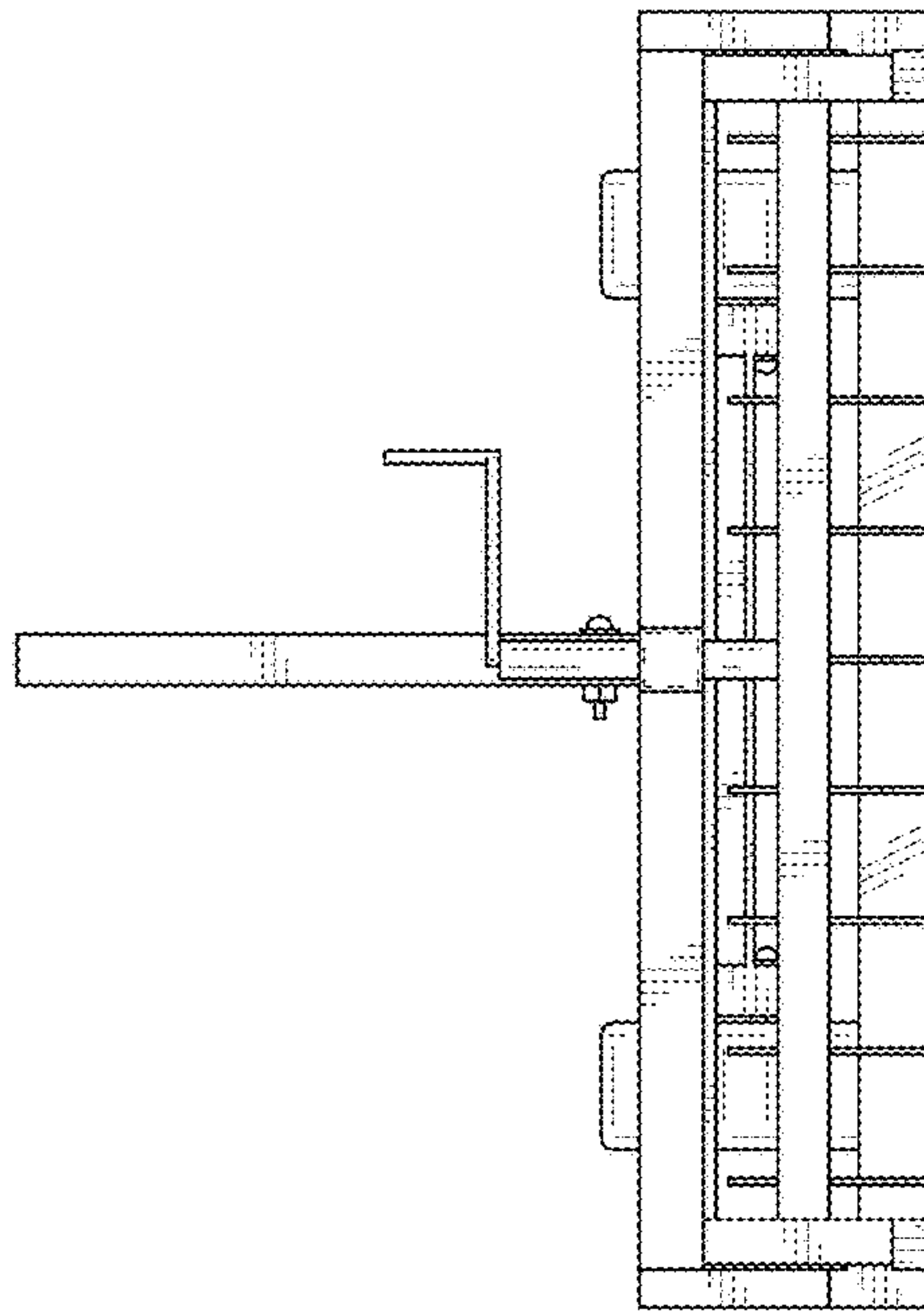


FIG. 3

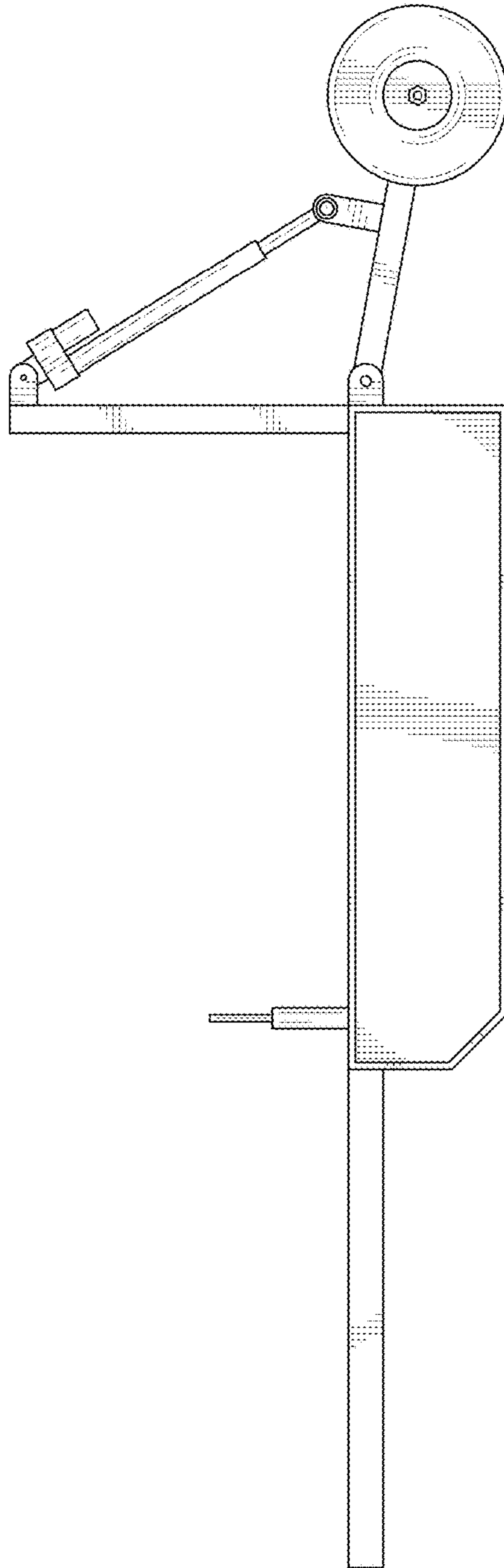


FIG. 4

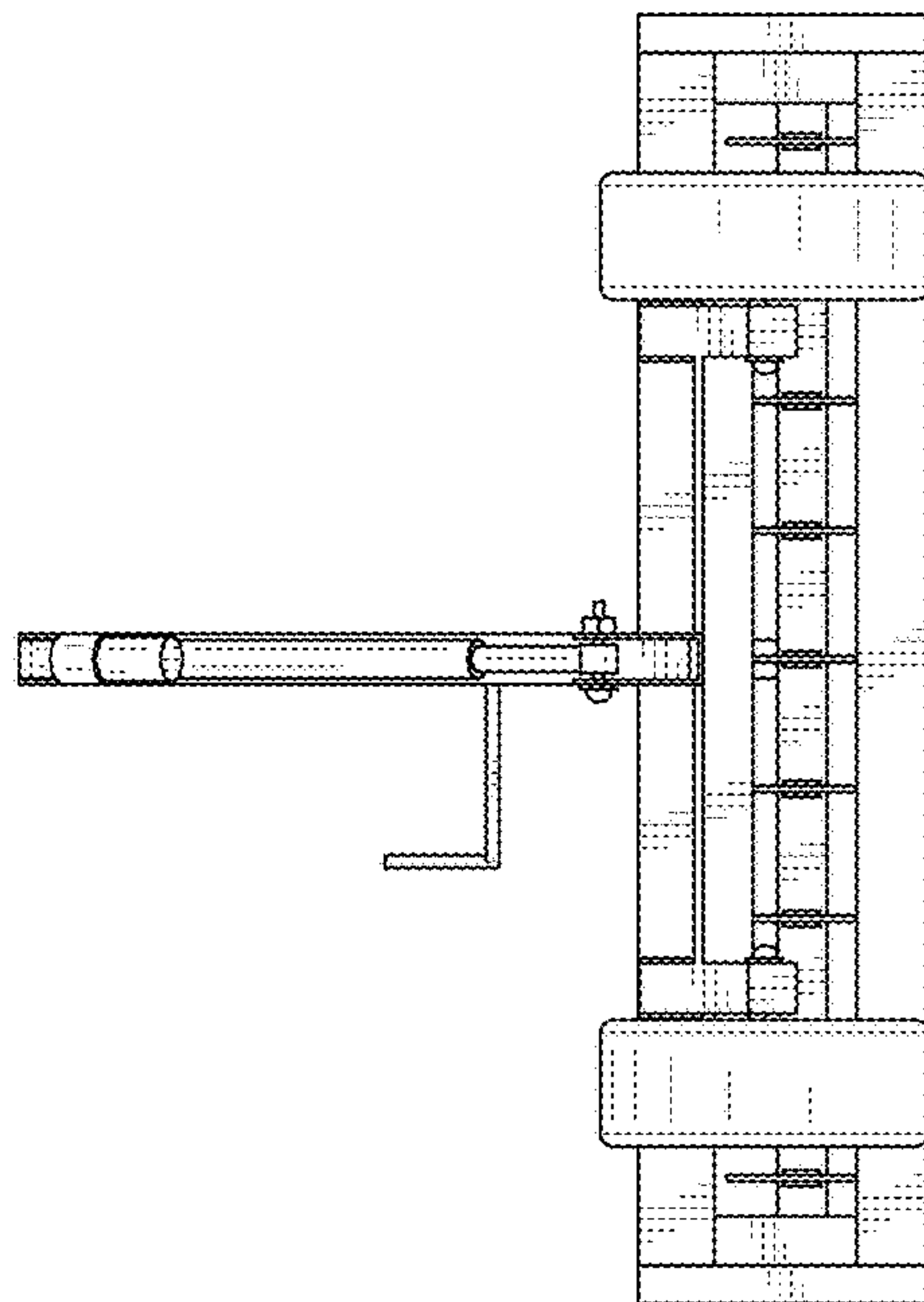


FIG. 5

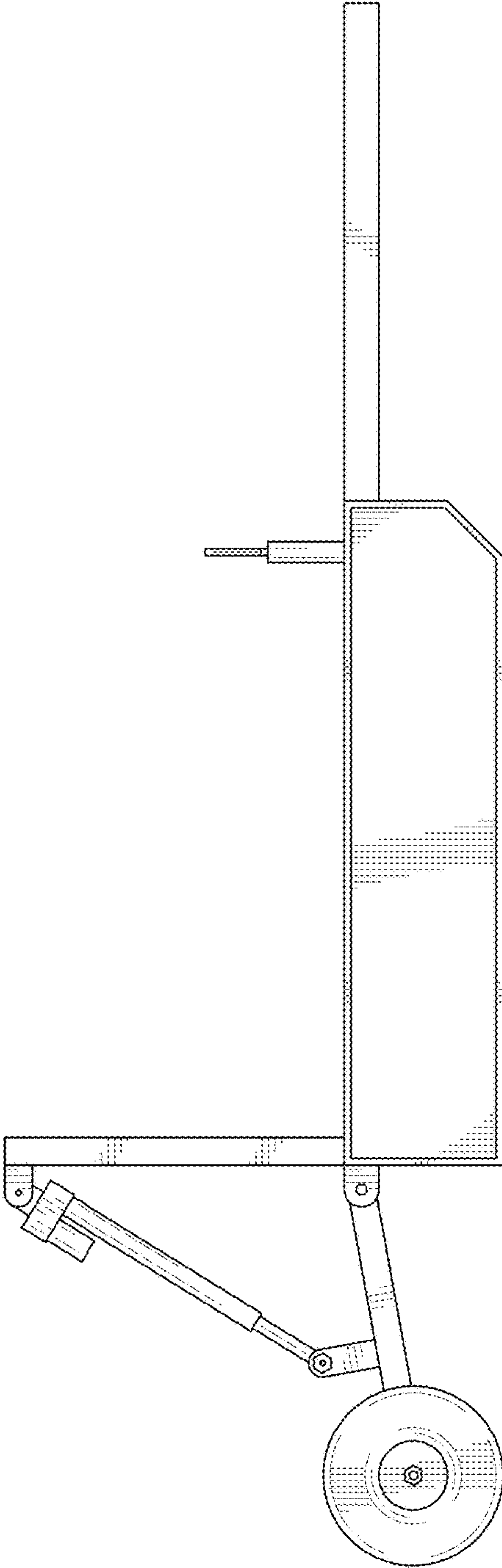


FIG. 6

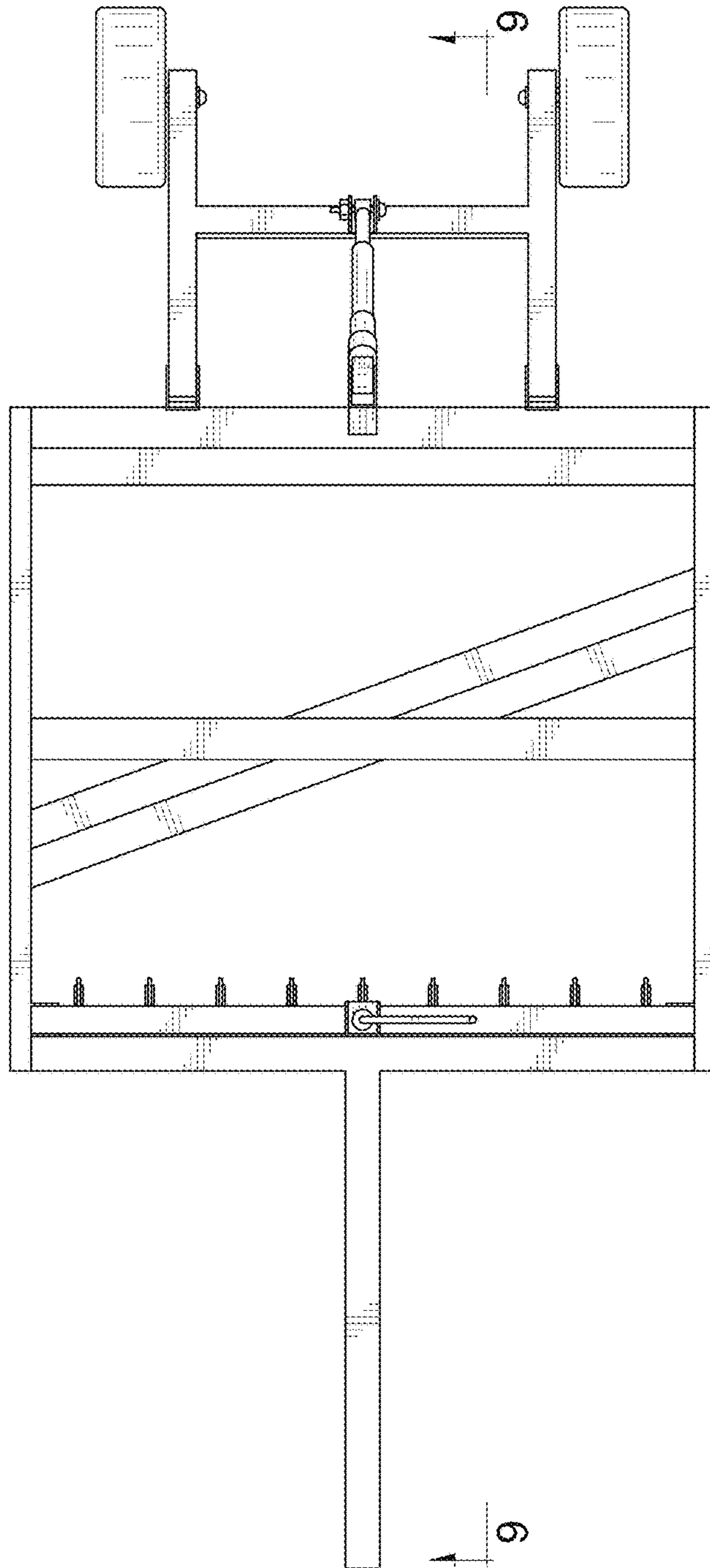


FIG. 7



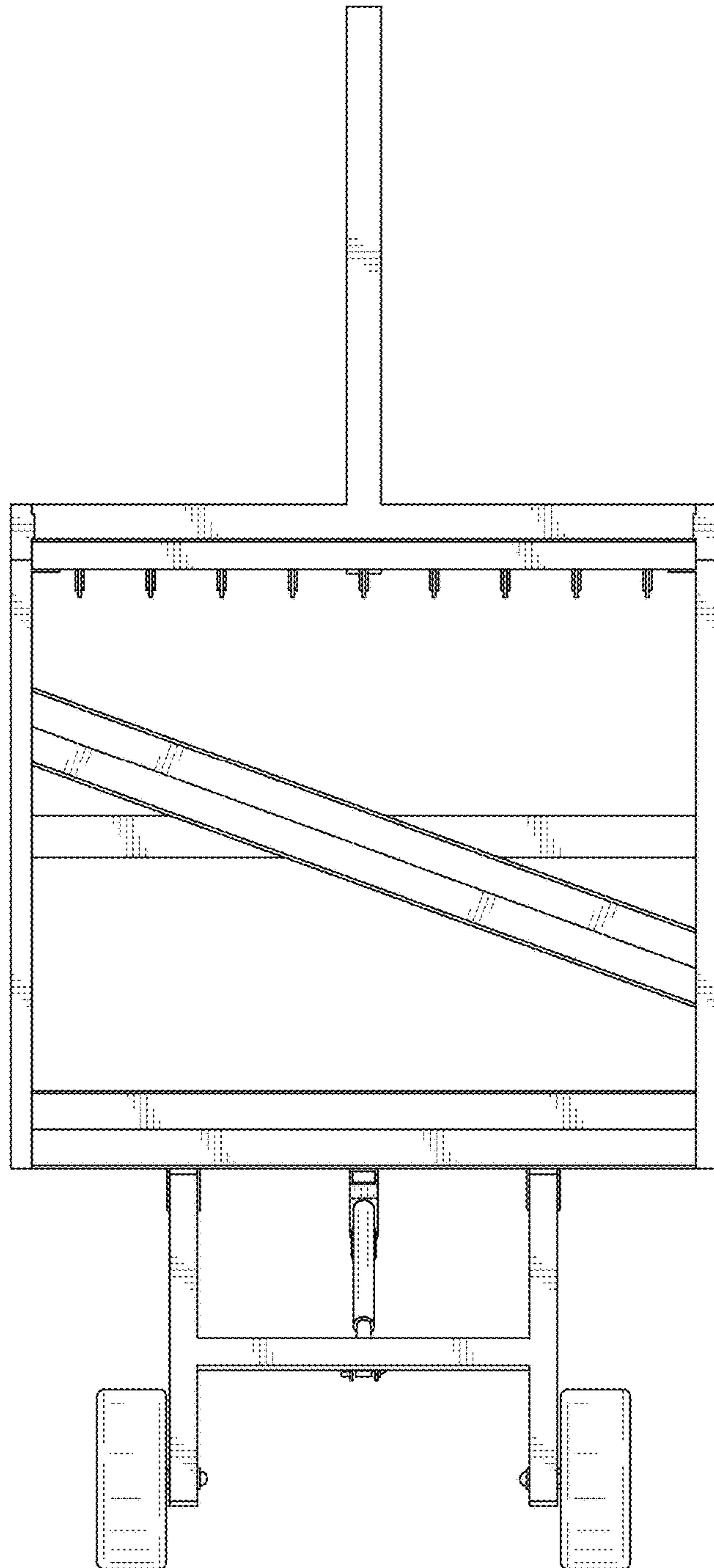


FIG. 8

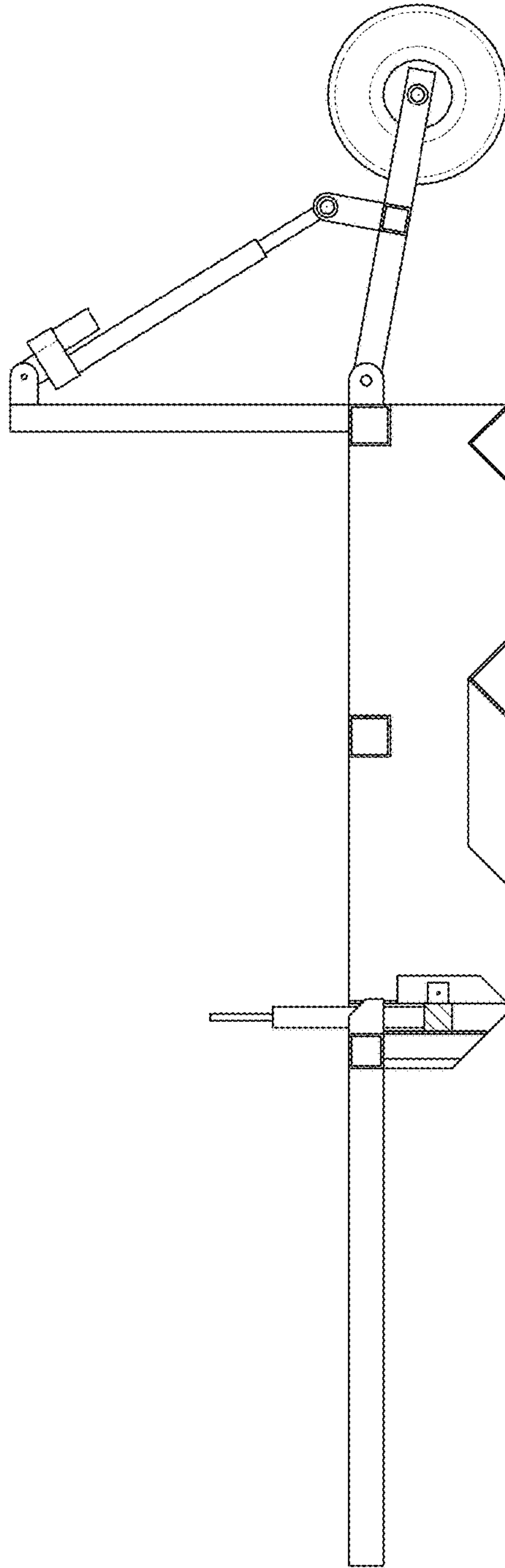


FIG. 9