

US00D860867S

(12) **United States Design Patent** (10) **Patent No.:** **US D860,867 S**
Goodrich et al. (45) **Date of Patent:** **** Sep. 24, 2019**

(54) **AUTOMOBILE EXTERIOR**

(71) Applicants: **Stephen Goodrich**, Clawson, MI (US);
Brian H. Nielander, Royal Oak, MI
(US); **Mark T. Allen**, Oxford, MI (US)

(72) Inventors: **Stephen Goodrich**, Clawson, MI (US);
Brian H. Nielander, Royal Oak, MI
(US); **Mark T. Allen**, Oxford, MI (US)

(73) Assignee: **FCA US LLC**, Auburn Hills, MI (US)

(**) Term: **15 Years**

D535,585 S 1/2007 Moushegian et al.
D568,792 S 5/2008 Moushegian et al.
D624,851 S * 10/2010 Feng D12/91
D801,860 S * 11/2017 Piscitelli D12/91
D810,626 S * 2/2018 Macey D12/91
D811,270 S * 2/2018 Zhang D12/91
D825,385 S * 8/2018 Ma D12/91
D827,495 S * 9/2018 Piscitelli D12/91
D827,496 S * 9/2018 Badstuebner D12/91
D828,223 S * 9/2018 Piscitelli D12/91
D840,270 S * 2/2019 Goodrich D12/91
D840,271 S * 2/2019 Goodrich D12/91

* cited by examiner

Primary Examiner — Melody N Brown

(74) *Attorney, Agent, or Firm* — Ralph E. Smith

(21) Appl. No.: **29/662,562**

(22) Filed: **Sep. 6, 2018**

Related U.S. Application Data

(62) Division of application No. 29/616,449, filed on Sep. 6, 2017, now Pat. No. Des. 840,271.

(51) **LOC (12) Cl.** **12-08**

(52) **U.S. Cl.**
USPC **D12/91**

(58) **Field of Classification Search**
USPC D12/86, 90–92; D21/424, 433, 434, 533;
296/181.1–181.5, 183.1
CPC B62D 25/00; B62D 25/06; B62D 33/00;
B62D 35/00
See application file for complete search history.

(56) **References Cited**

U.S. PATENT DOCUMENTS

D401,186 S 11/1998 Abott et al.
D497,572 S 10/2004 Widmann et al.

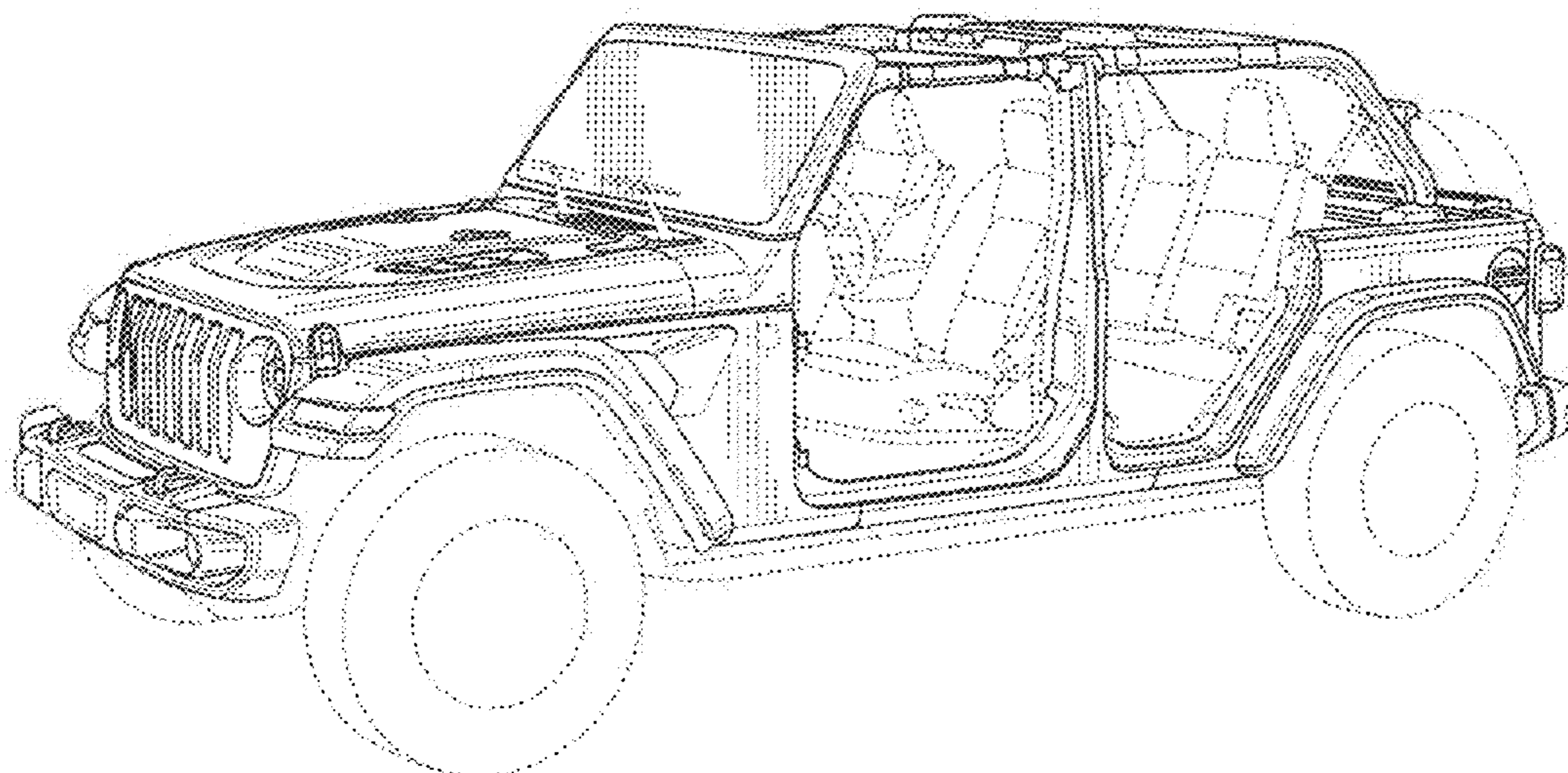
(57) **CLAIM**

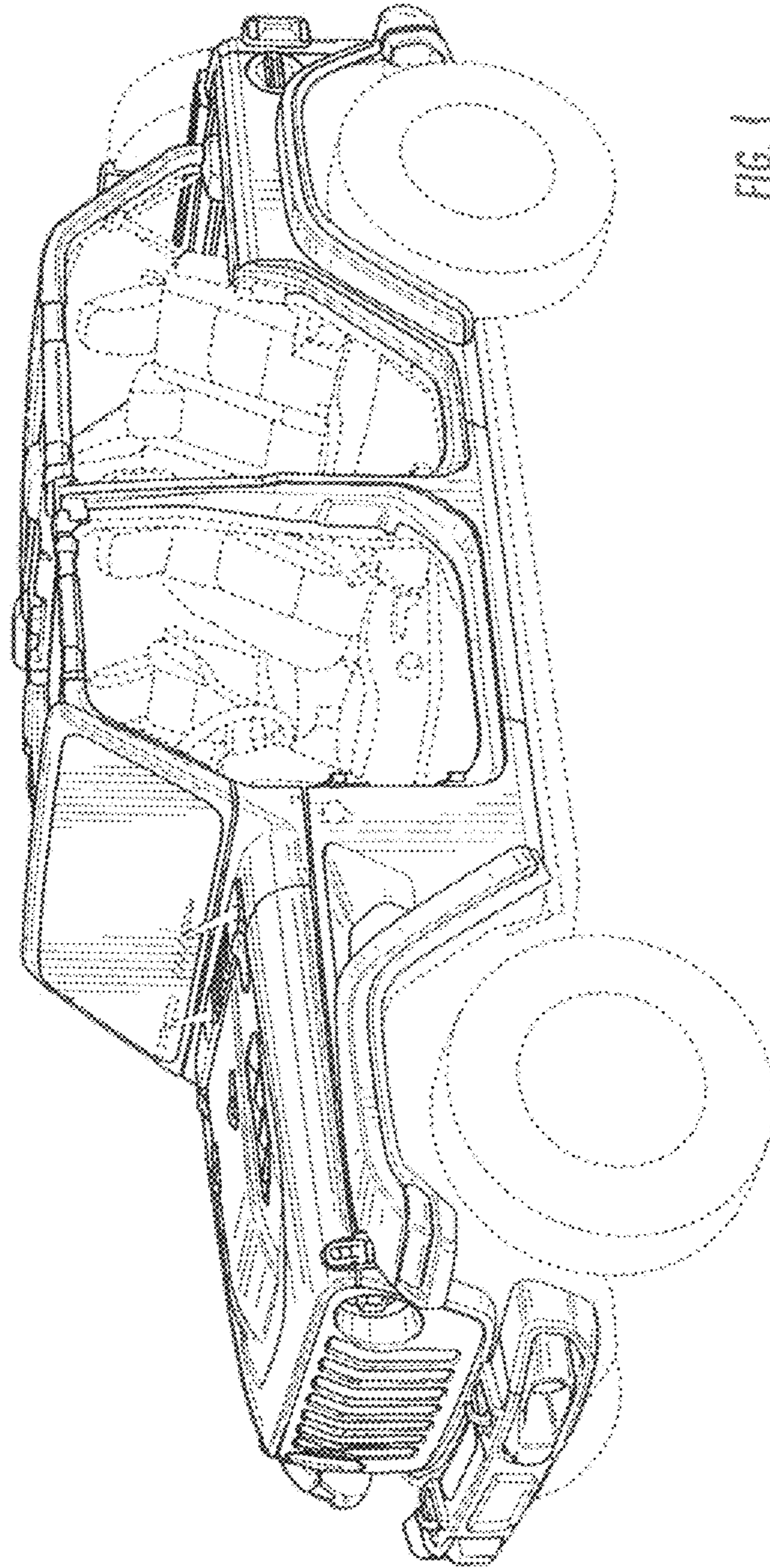
The ornamental design for an automobile exterior, as shown and described.

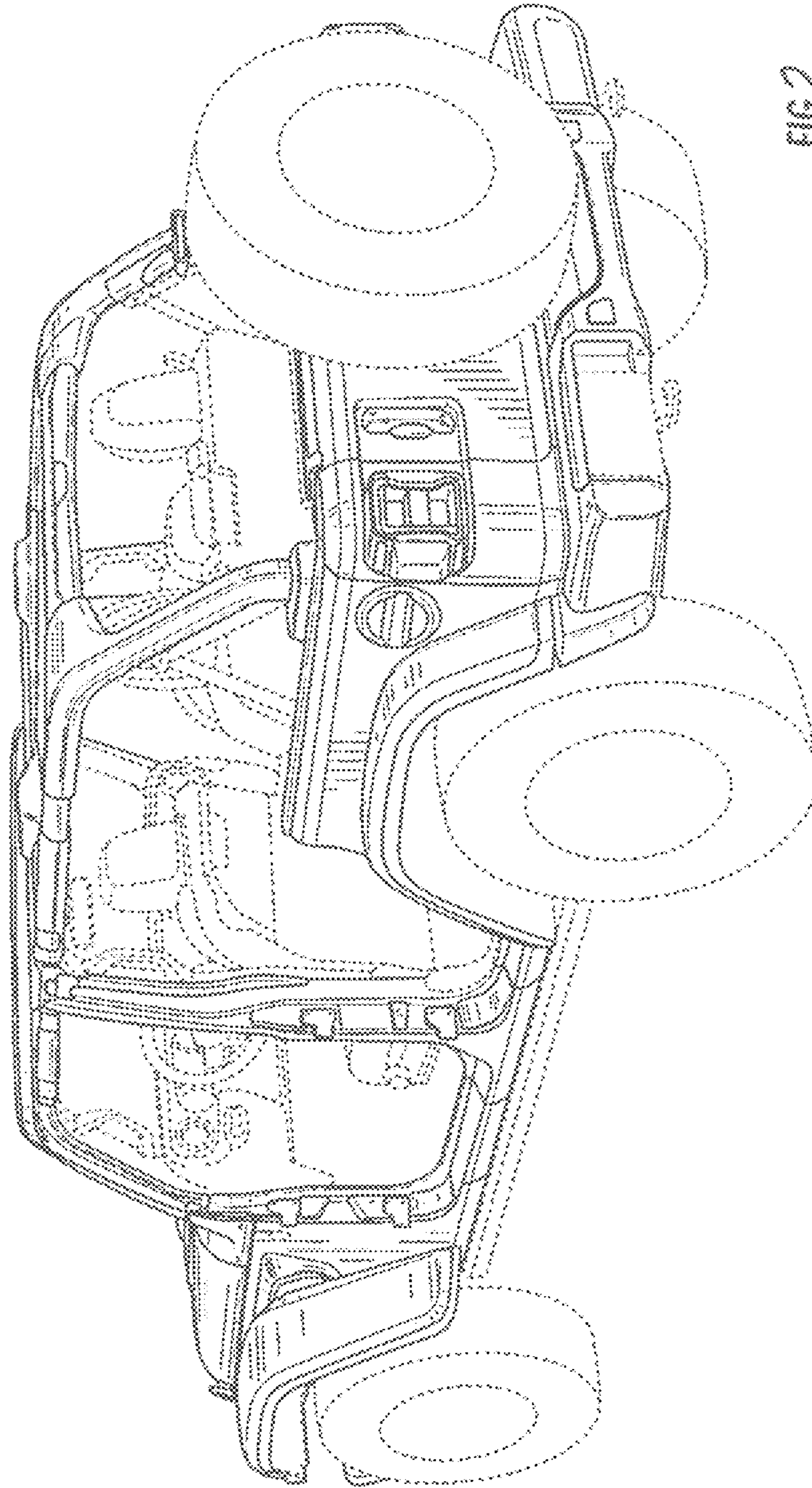
DESCRIPTION

FIG. 1 is a front side perspective view of the automobile exterior showing our new design;
FIG. 2 is a rear perspective view thereof;
FIG. 3 is a front view thereof;
FIG. 4 is a rear view thereof;
FIG. 5 is a side view thereof; and,
FIG. 6 is a top plan view thereof.
It will be understood that the broken lines shown in the drawings illustrate portions of the automobile exterior that form no part of claimed design.

1 Claim, 5 Drawing Sheets







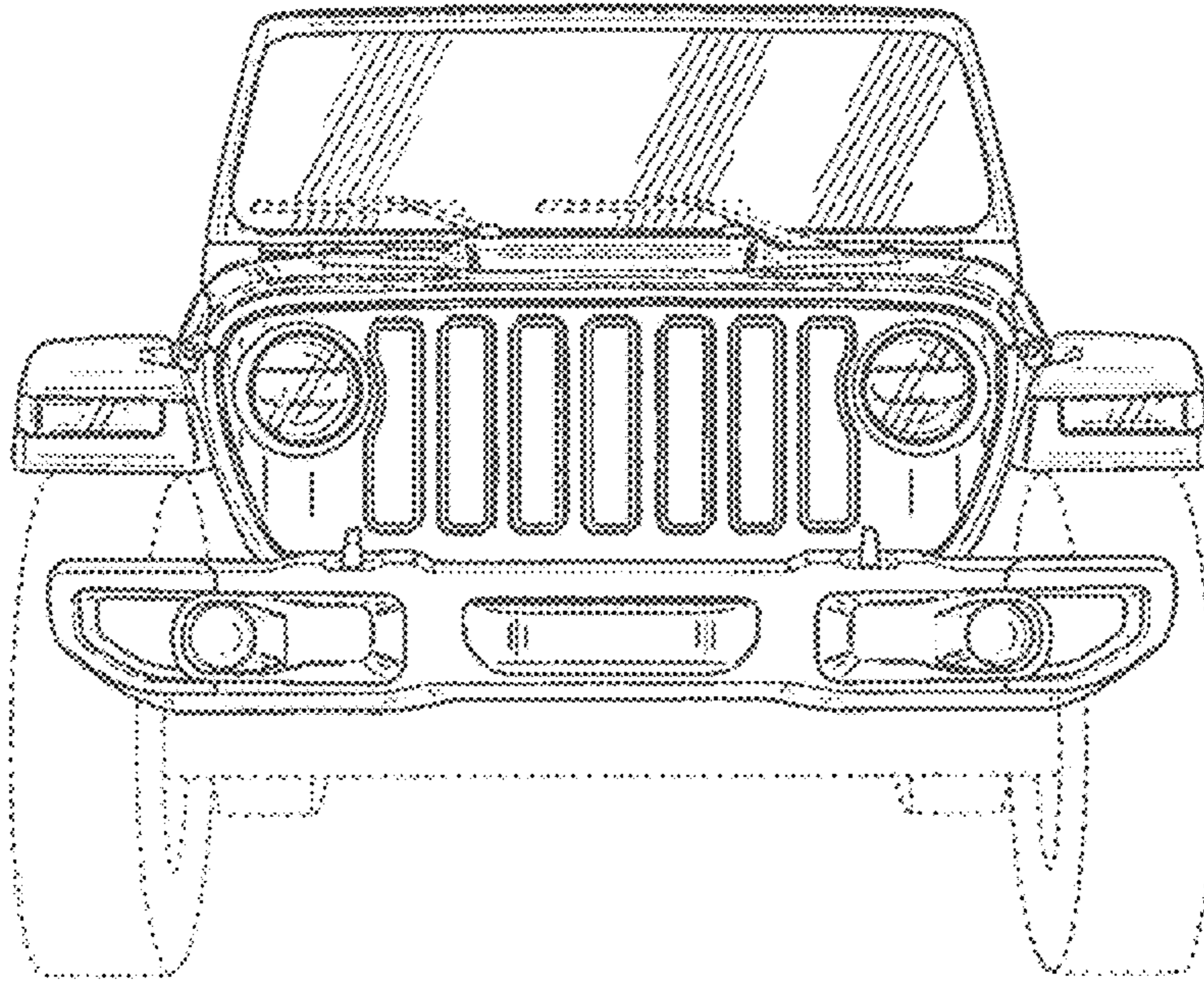


FIG. 3

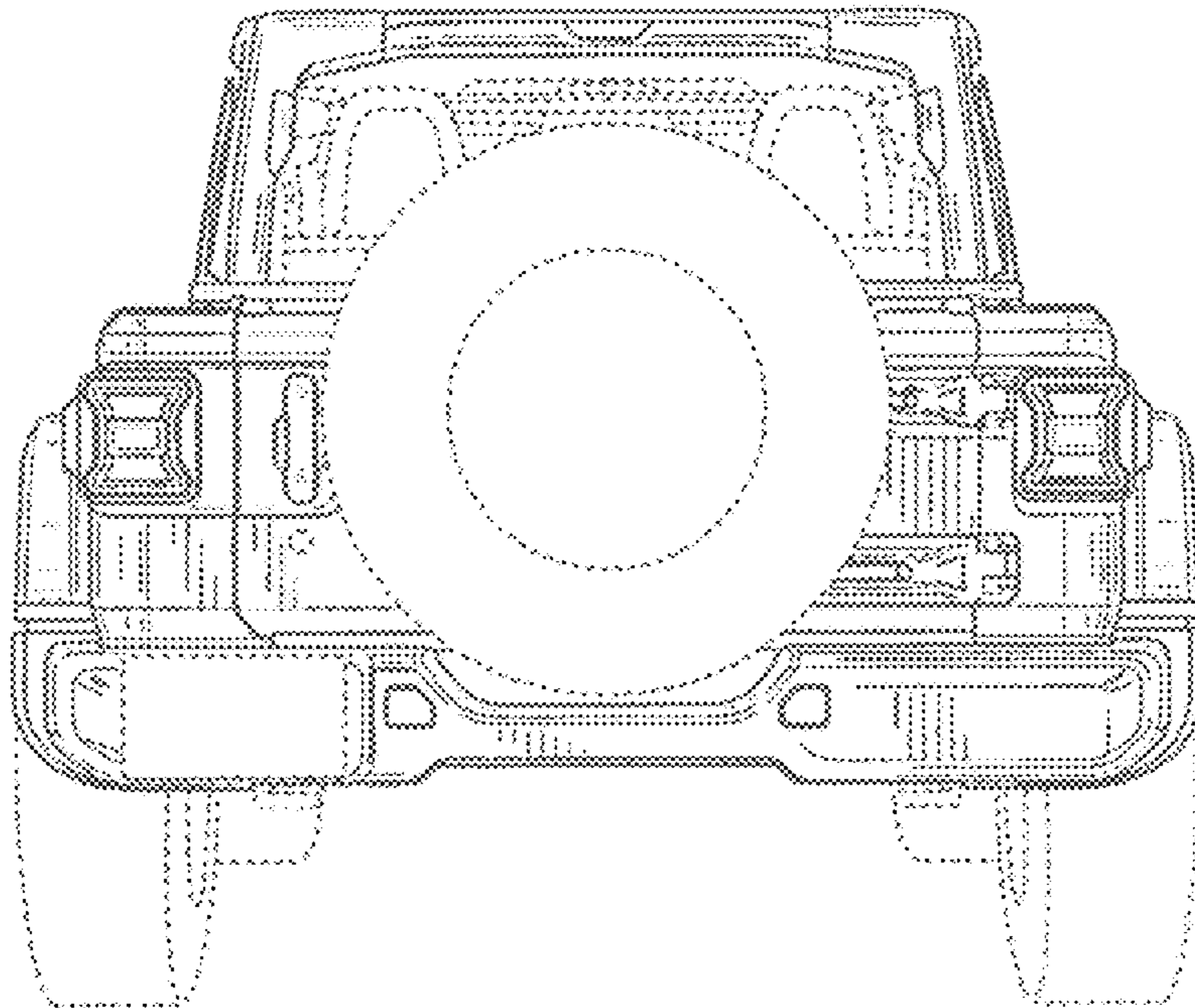


FIG. 4

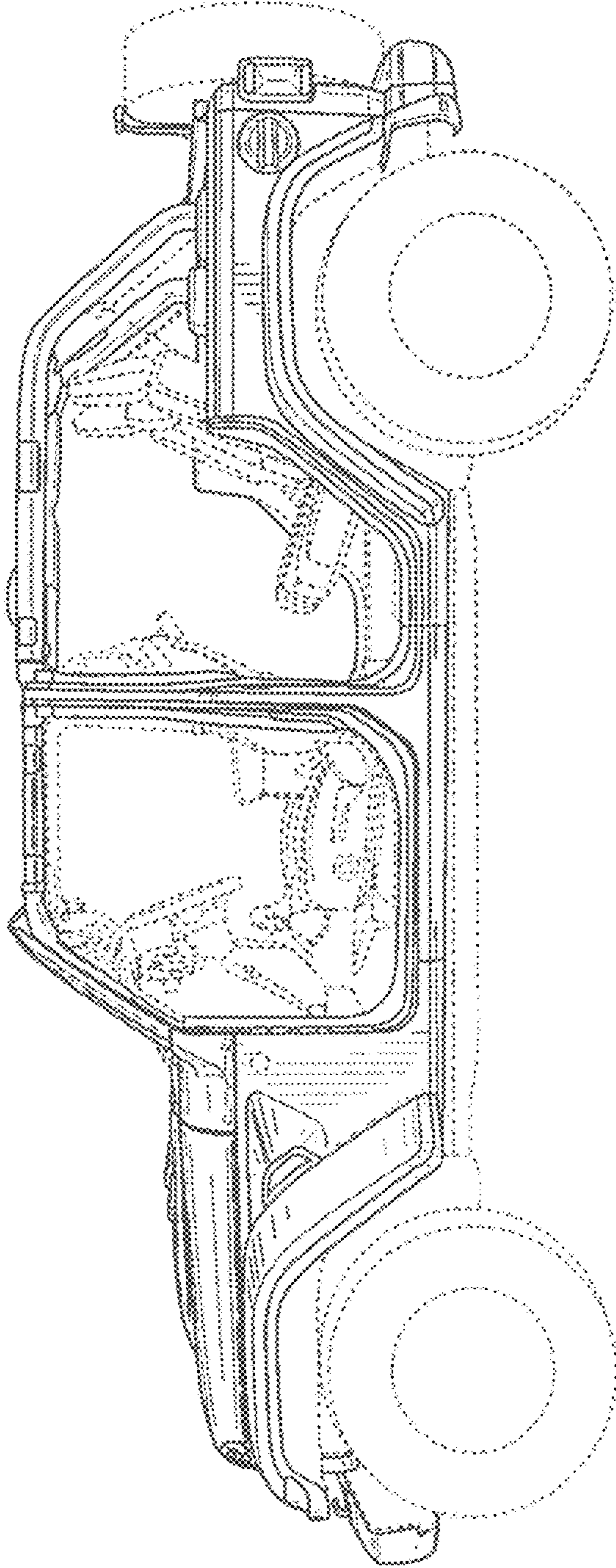


FIG. 5

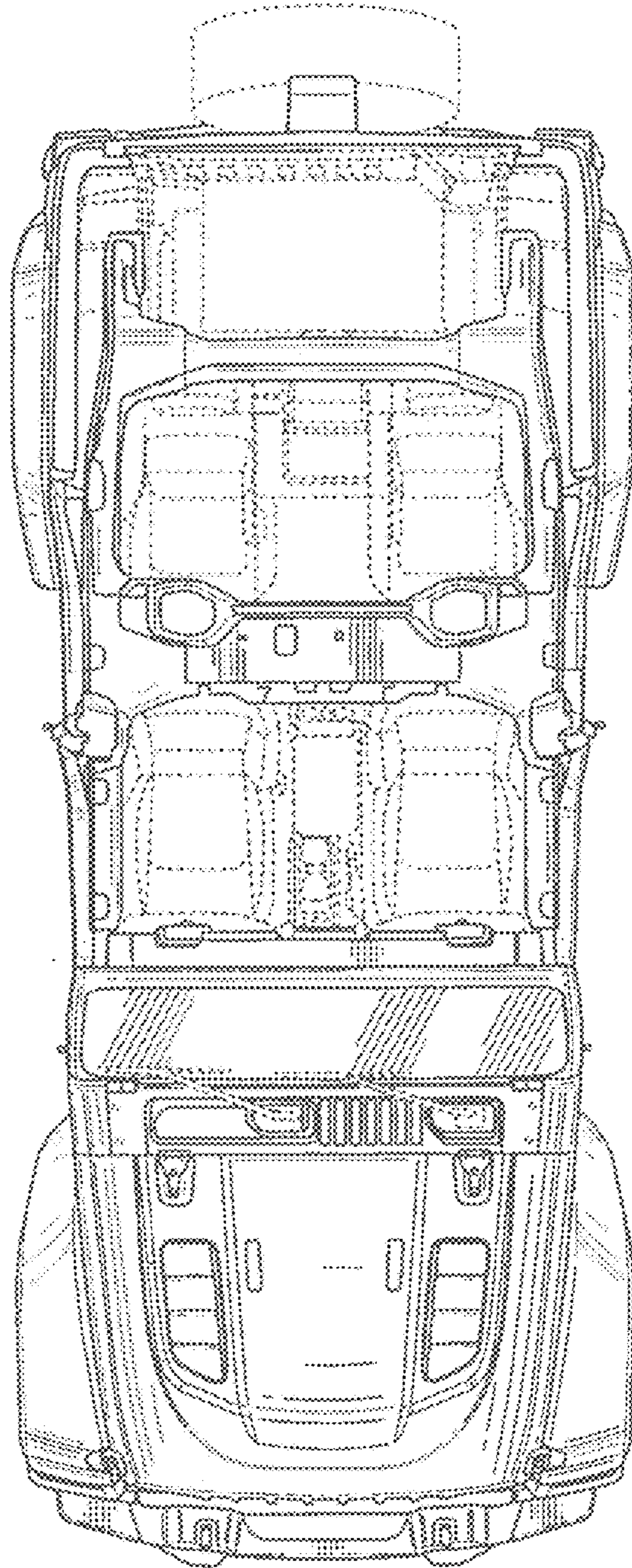


FIG. 6