

US00D860863S

(12) **United States Design Patent**
Jonason et al.

(10) **Patent No.:** **US D860,863 S**

(45) **Date of Patent:** **** Sep. 24, 2019**

(54) **AUTOMOBILE BODY**

(71) Applicants: **Laura Jonason**, Auburn Hills, MI (US); **Paul Hoste**, White Lake, MI (US); **Irina Zavatski**, Rochester Hills, MI (US)

(72) Inventors: **Laura Jonason**, Auburn Hills, MI (US); **Paul Hoste**, White Lake, MI (US); **Irina Zavatski**, Rochester Hills, MI (US)

(73) Assignee: **FCA US LLC**, Auburn Hills, MI (US)

(**) Term: **15 Years**

(21) Appl. No.: **29/646,879**

(22) Filed: **May 8, 2018**

(51) **LOC (12) Cl.** **12-08**

(52) **U.S. Cl.**
USPC **D12/91**

(58) **Field of Classification Search**
USPC D12/86, 90-92; D21/424, 433, 434, 533;
296/181.1-181.5, 183.1
CPC B62D 25/00; B62D 25/06; B62D 33/00;
B62D 35/00
See application file for complete search history.

(56) **References Cited**

U.S. PATENT DOCUMENTS

D350,504 S * 9/1994 Nixon D12/91
D420,939 S * 2/2000 Faurote D12/91

D428,425 S 7/2000 Ratcliffe
D500,460 S * 1/2005 Allen D12/91
D534,097 S * 12/2006 Renkert D12/91
D650,721 S * 12/2011 Galante D12/91
D693,737 S * 11/2013 Hammoud D12/91
D703,583 S * 4/2014 Howell D12/91
D711,784 S * 8/2014 Galante D12/91
D761,695 S * 7/2016 Faghihzadeh D12/92
D801,861 S * 11/2017 Hubers D12/91
D805,956 S * 12/2017 Galante D12/91
D823,722 S * 7/2018 Hoste D12/91
D847,025 S * 4/2019 Zavatski D12/91

* cited by examiner

Primary Examiner — Melody N Brown

(74) *Attorney, Agent, or Firm* — Ralph E. Smith

(57) **CLAIM**

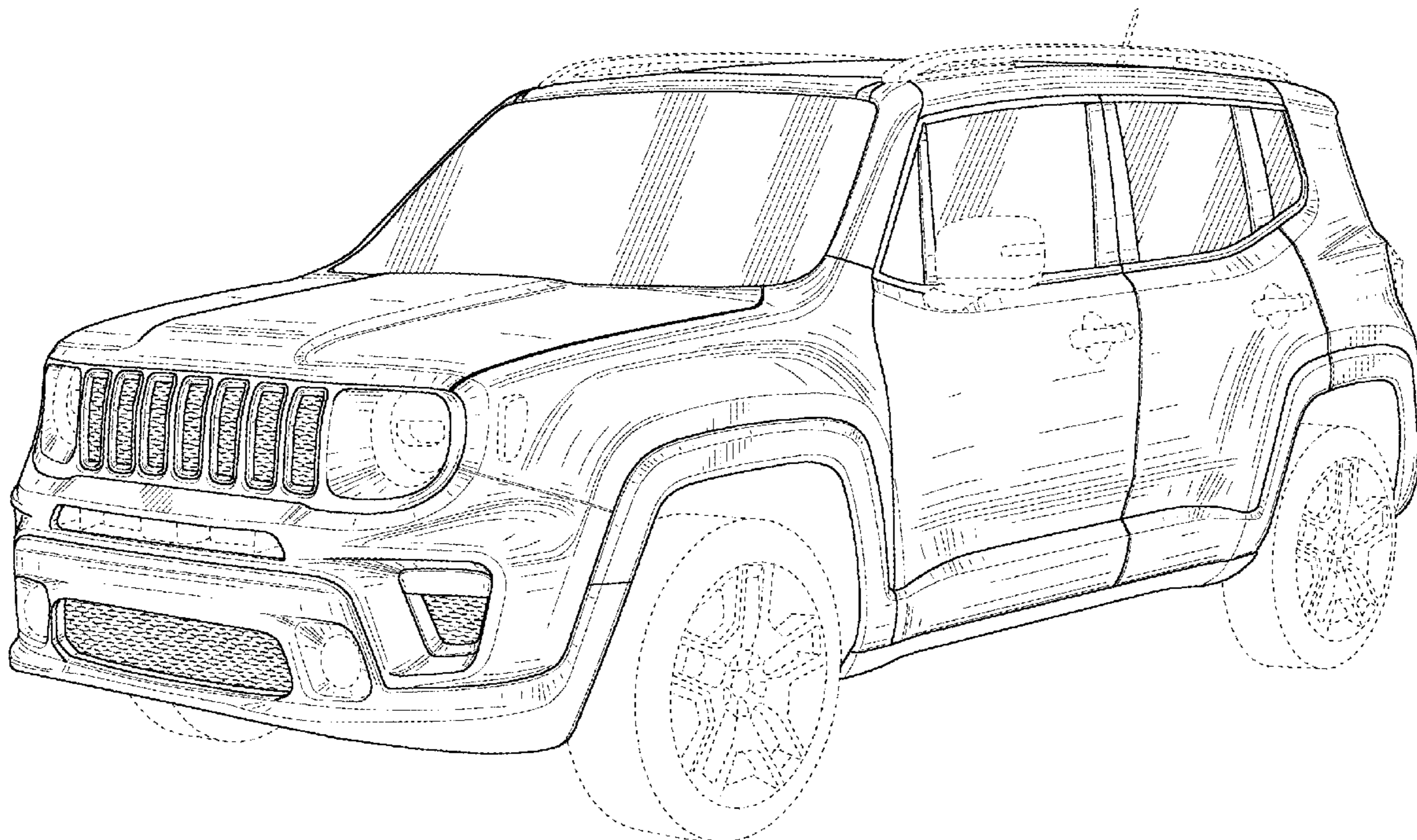
The ornamental design for an automobile body, as shown and described.

DESCRIPTION

FIG. 1 is a front perspective view of an automobile body showing our new design;
FIG. 2 is a rear perspective view thereof;
FIG. 3 is a front view thereof;
FIG. 4 is a rear view thereof;
FIG. 5 is a side view thereof; and,
FIG. 6 is a top view thereof.

It will be understood that the broken lines shown in the drawings illustrate portions of the automobile body that form no part of claimed design.

1 Claim, 6 Drawing Sheets



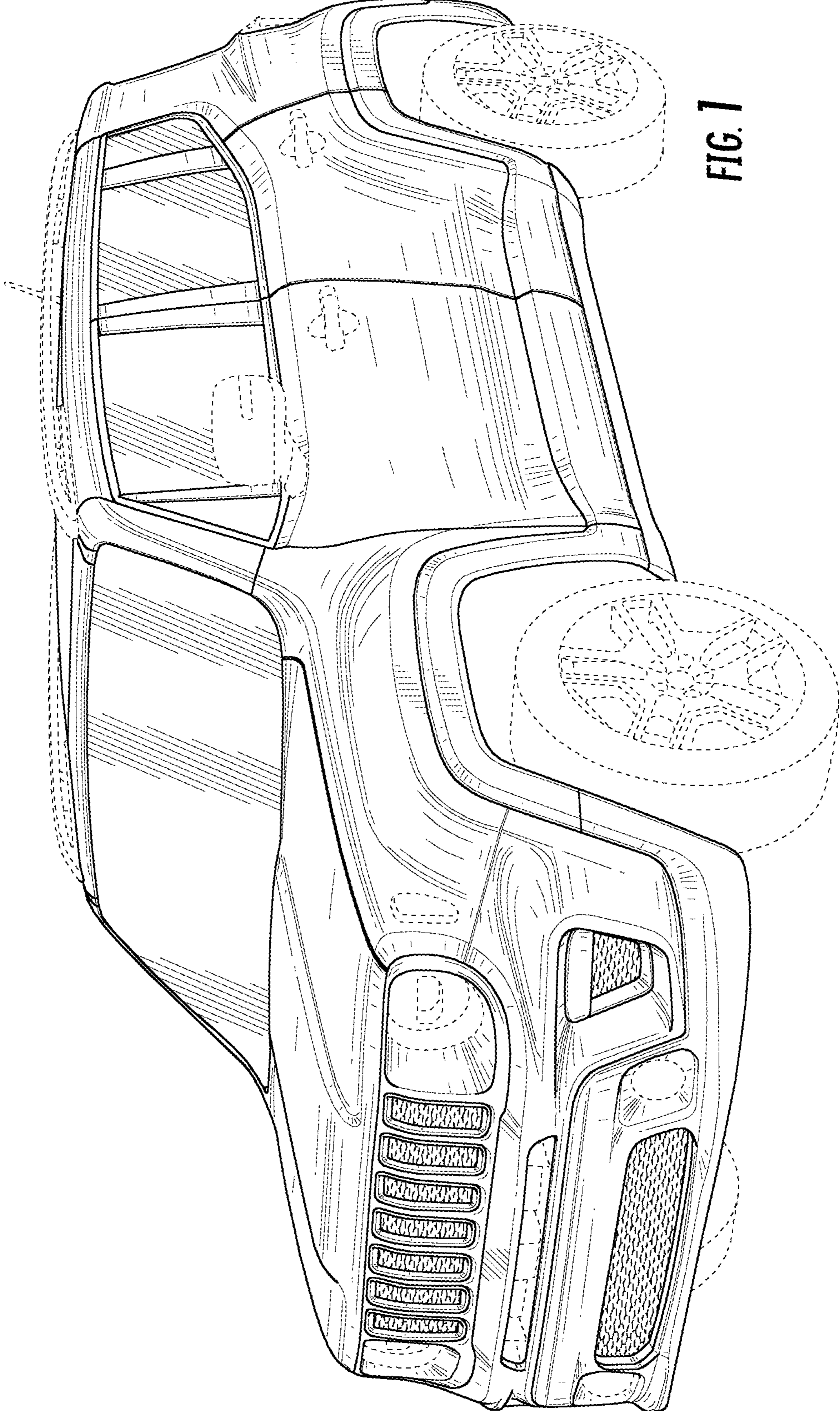


FIG. 1

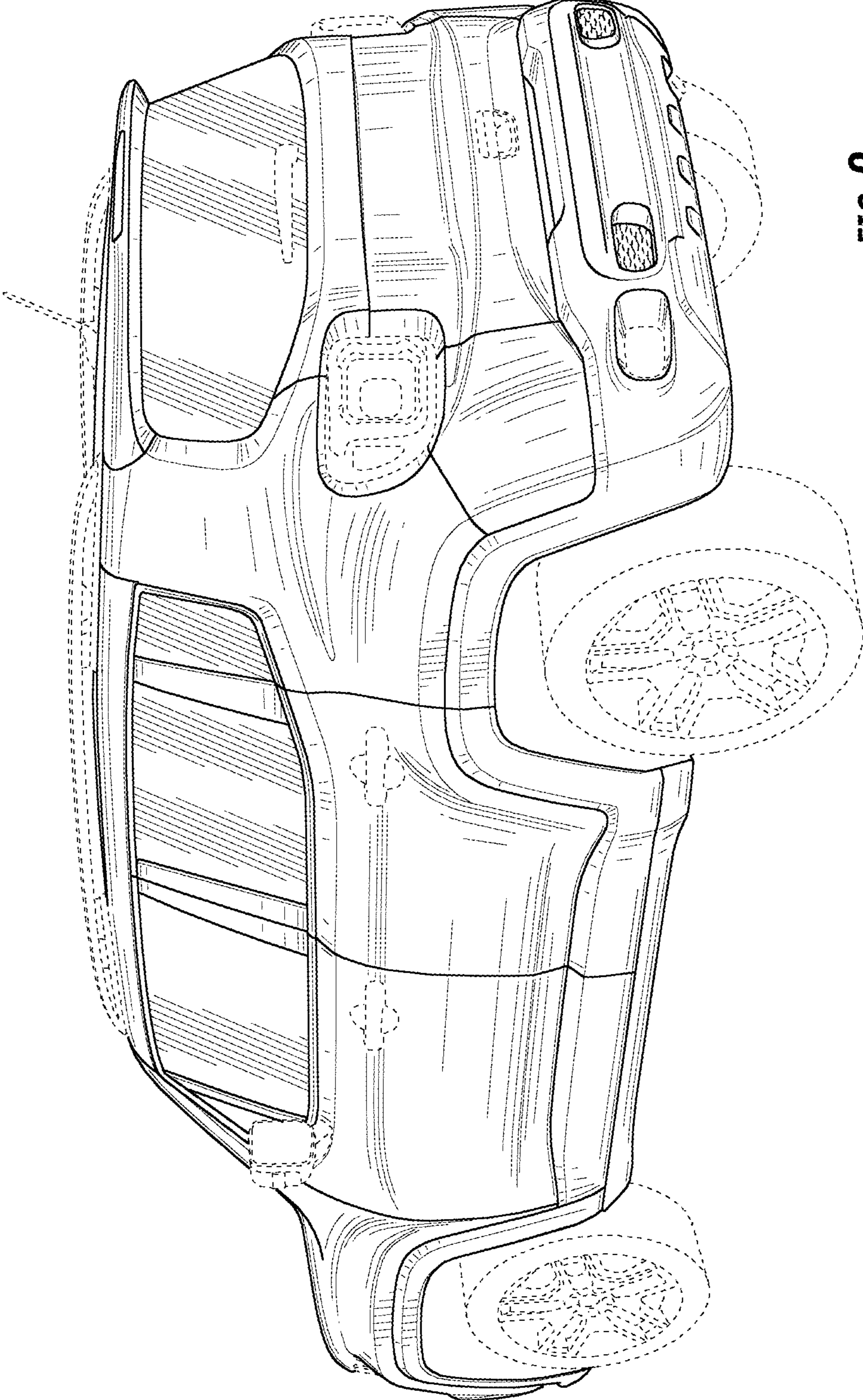


FIG. 2

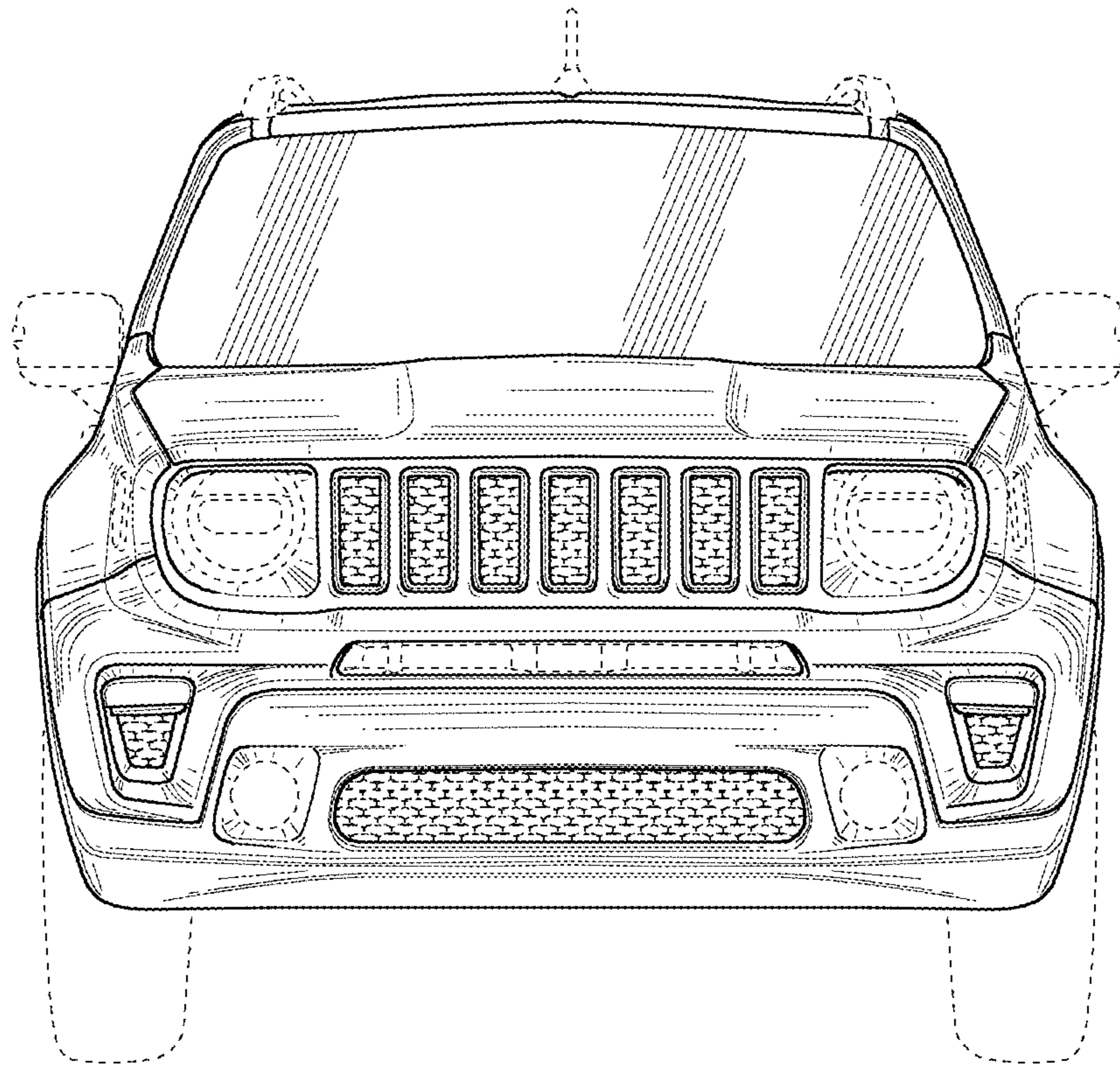


FIG. 3

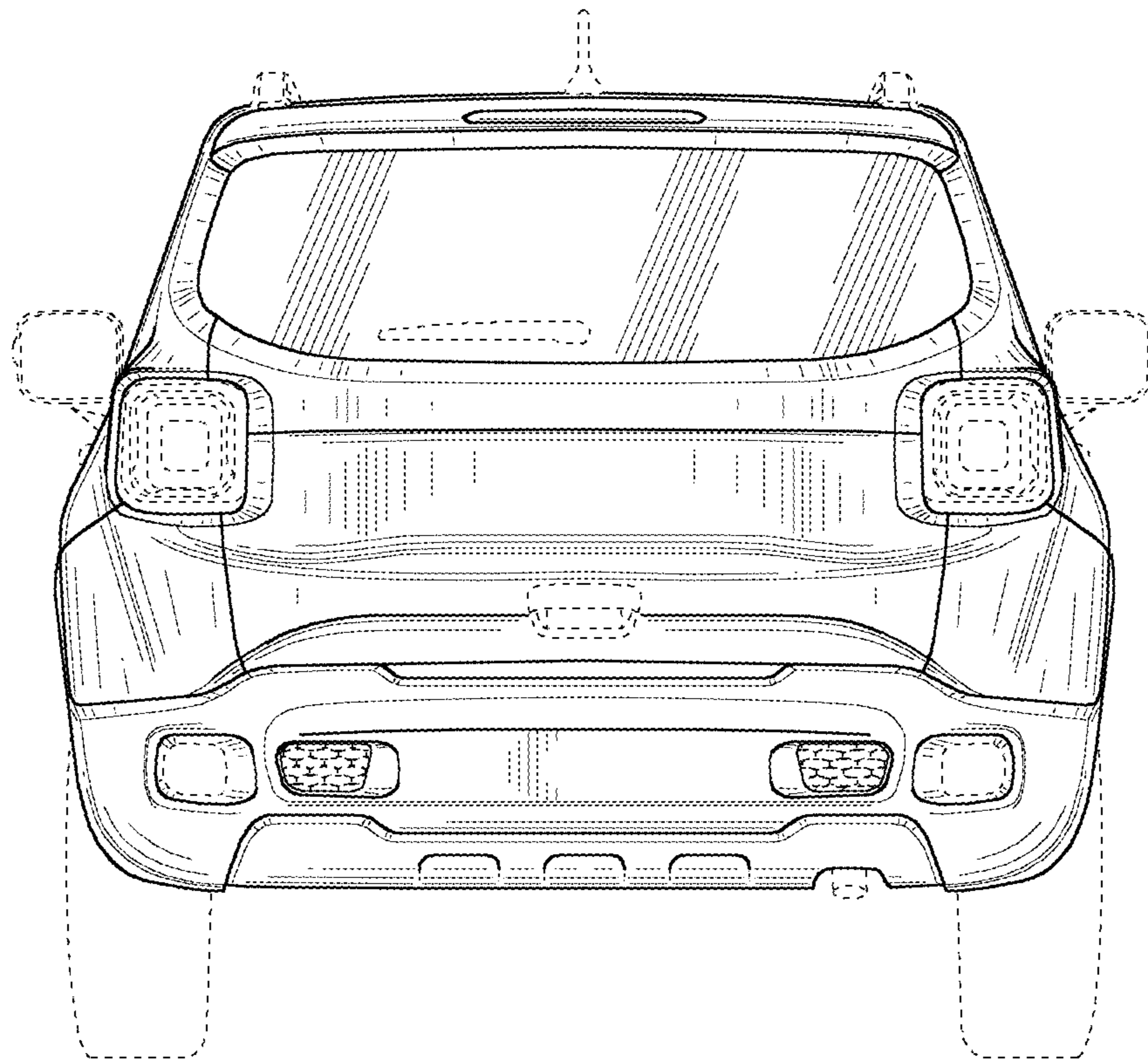


FIG. 4

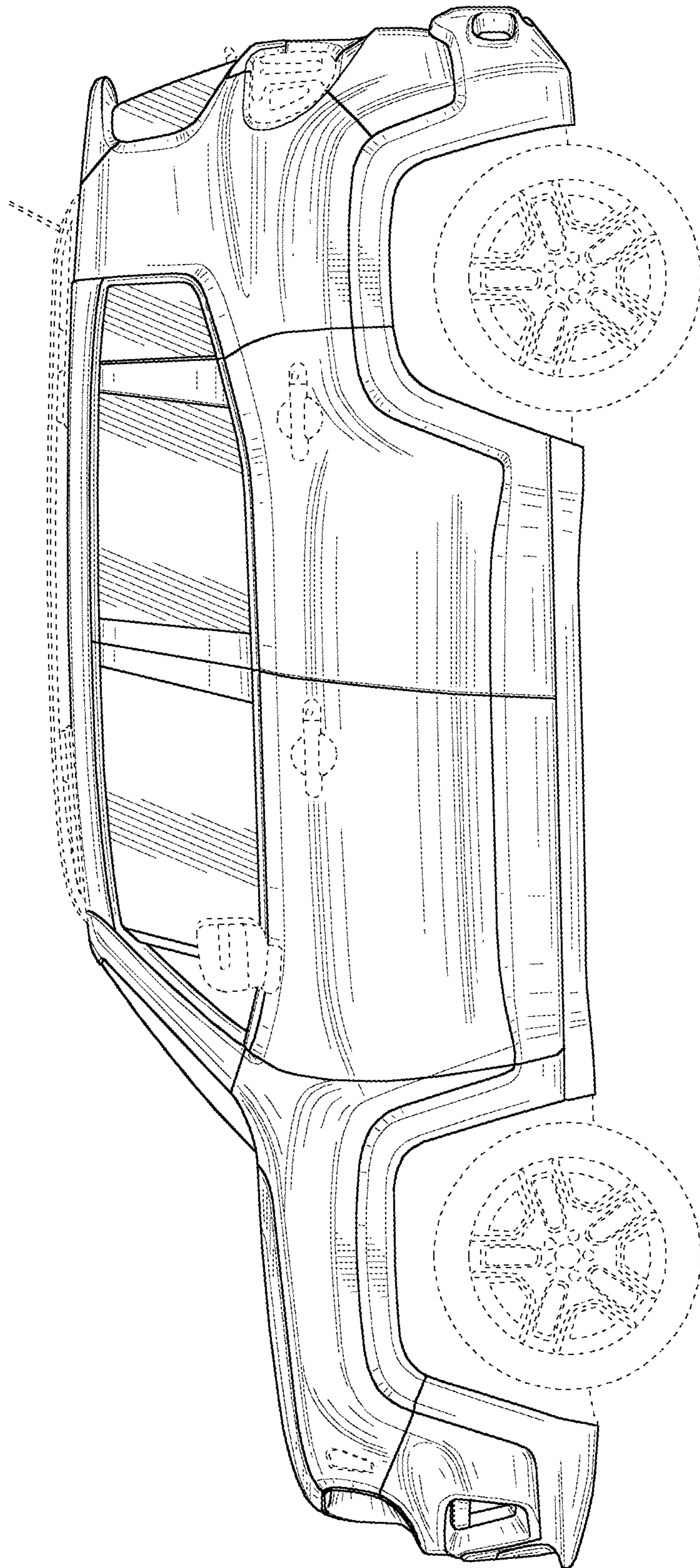


FIG. 5

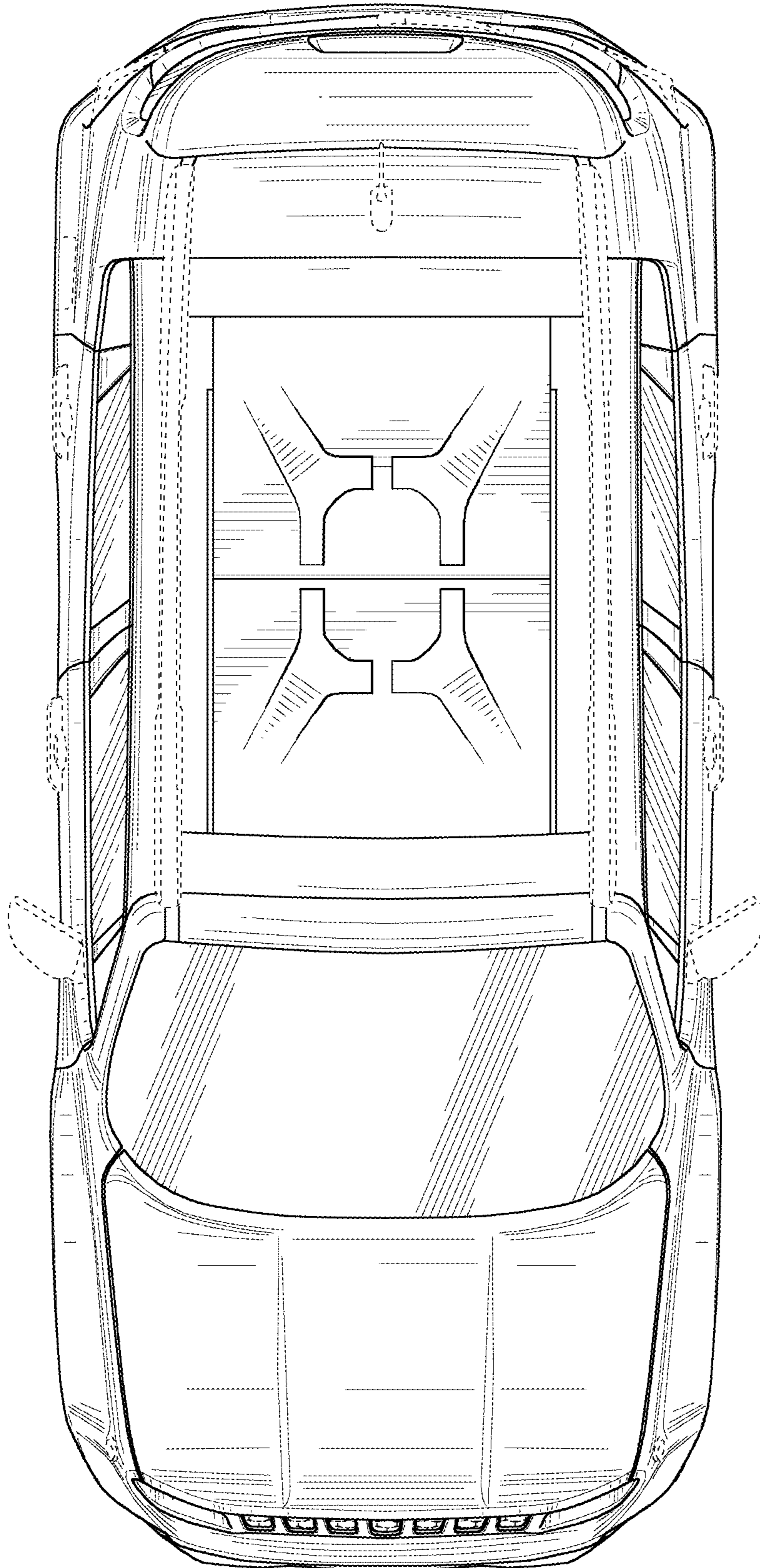


FIG. 6