

US00D860862S

(12) **United States Design Patent**
Janin

(10) **Patent No.:** **US D860,862 S**

(45) **Date of Patent:** **** Sep. 24, 2019**

(54) **MOTOR VEHICLE**

(71) Applicant: **RENAULT SAS**, Boulogne Billancourt
(FR)

(72) Inventor: **Stephane Janin**, Boulogne Billancourt
(FR)

(**) Term: **15 Years**

(21) Appl. No.: **35/505,571**

(22) Filed: **Feb. 26, 2018**

(80) **Hague Agreement Data**

Int. Filing Date: **Feb. 26, 2018**

Int. Reg. No.: **DM/100103**

Int. Reg. Date: **Feb. 26, 2018**

Int. Reg. Pub. Date: **Aug. 31, 2018**

(51) **LOC (12) Cl.** **12-08**

(52) **U.S. Cl.**

USPC **D12/90; D12/86**

(58) **Field of Classification Search**

USPC D12/86, 90, 91, 92, 98; D21/424, 433,
D21/434

CPC B62D 25/00; B62D 25/06; B62D 33/00;
B62D 35/00

See application file for complete search history.

(56) **References Cited**

U.S. PATENT DOCUMENTS

D621,750 S * 8/2010 Majdandzic D12/92
D626,033 S * 10/2010 Browne D12/86
D668,581 S * 10/2012 Kim D12/86
D671,452 S * 11/2012 Fernandez Isoird D12/86
D684,502 S * 6/2013 Kim D12/91
D684,897 S * 6/2013 Kim D12/92

D691,921 S * 10/2013 Kasamatsu D12/86
D754,564 S * 4/2016 Bouzige D12/91
D774,948 S * 12/2016 Abbes D12/92
D778,785 S * 2/2017 Hirokawa D12/86
D789,250 S * 6/2017 Arnold D12/86
D832,742 S * 11/2018 Fisker D12/86
D835,000 S * 12/2018 Tomasson D12/91
10,160,301 B2 * 12/2018 Perlo B60K 1/00
D839,784 S * 2/2019 Sugawara D12/86
D846,447 S * 4/2019 Janin D12/90

* cited by examiner

Primary Examiner — Darlington Ly

(57) **CLAIM**

The ornamental design for a motor vehicle, as shown and described.

DESCRIPTION

The patent or application file contains at least one drawing executed in color. Copies of this patent or patent application publication with color drawing(s) will be provided by the Office upon request and payment of the necessary fee.

1. Motor vehicle

1.1 is a front elevation view of a motor vehicle showing my new design;

1.2 is a front and right side perspective view thereof;

1.3 is a rear elevation view thereof;

1.4 is a left side elevation view thereof;

1.5 is a rear and right side perspective view thereof;

1.6 is a front and left side perspective view thereof;

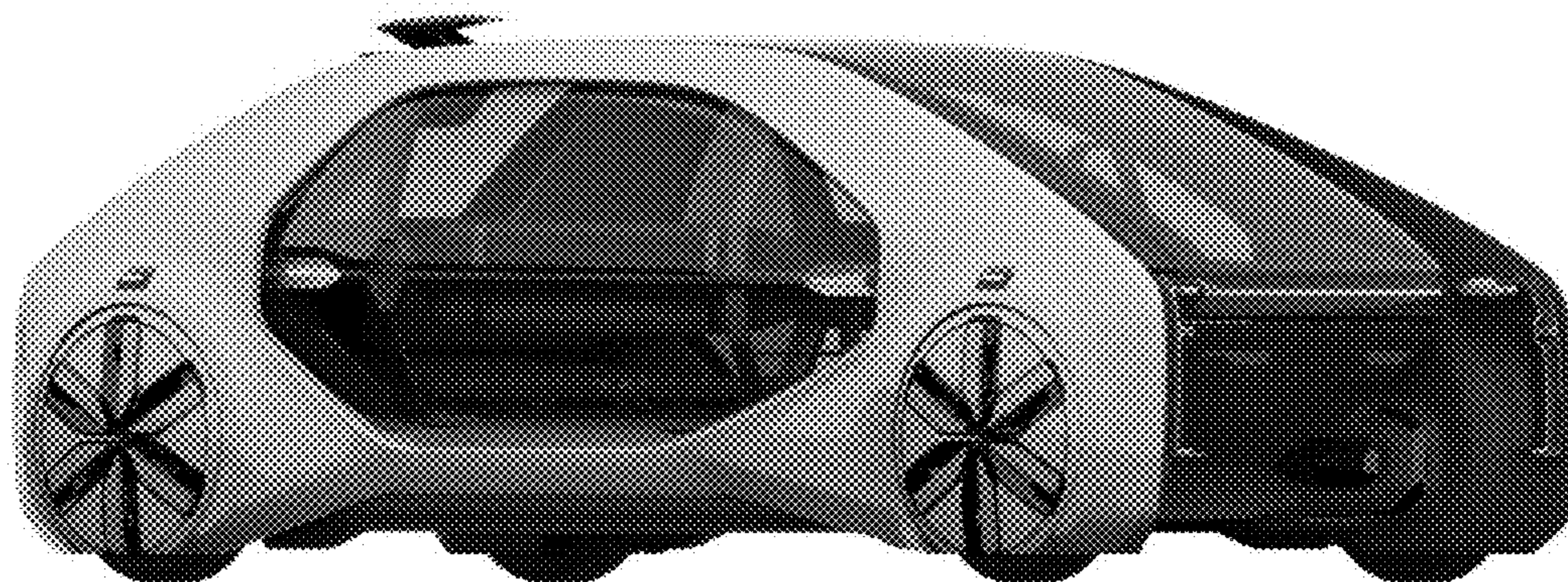
1.7 is a bottom plan view thereof;

1.8 is a right side elevation view thereof;

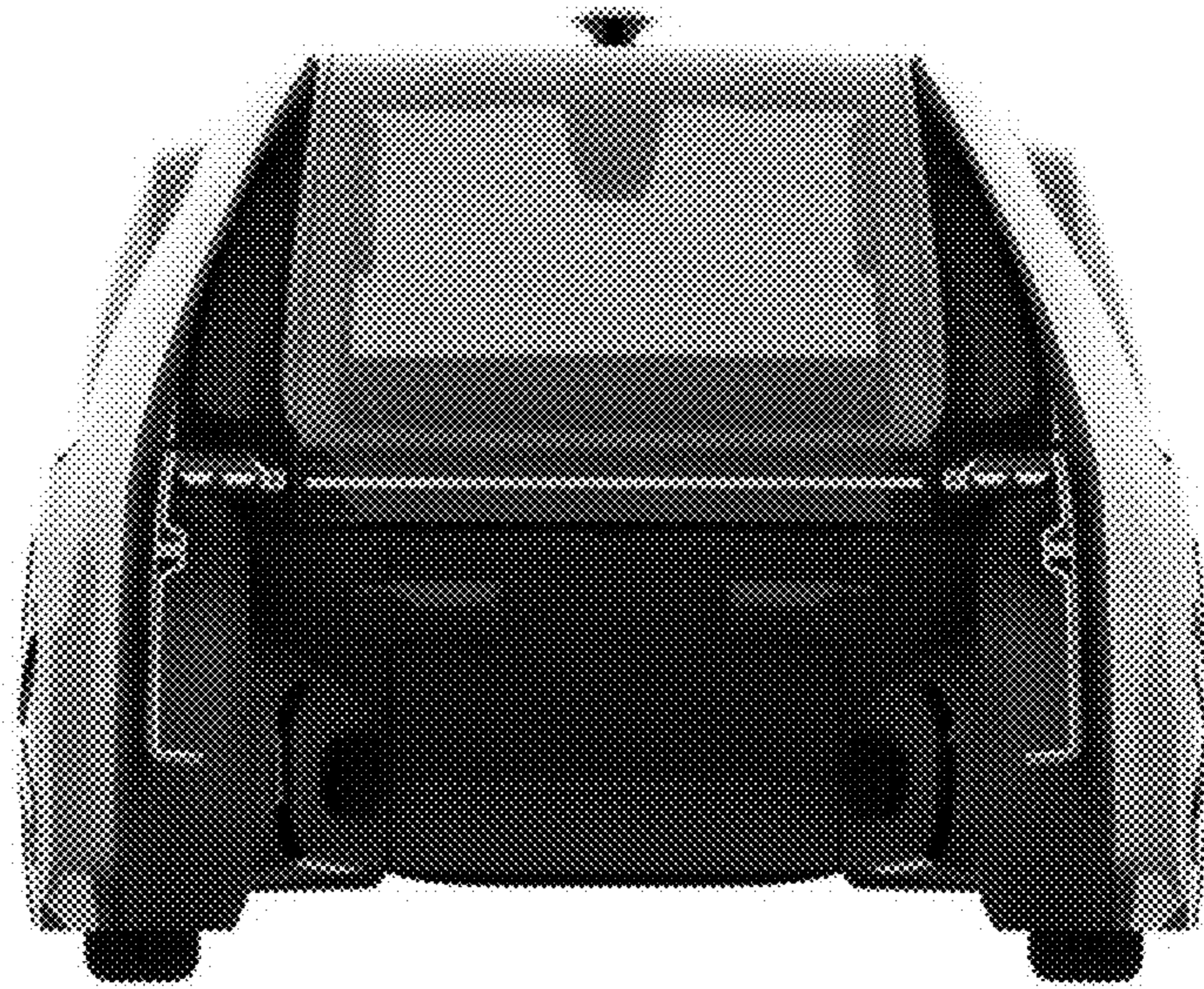
1.9 is a top plan view thereof; and

1.10 is a rear and left side perspective view thereof.

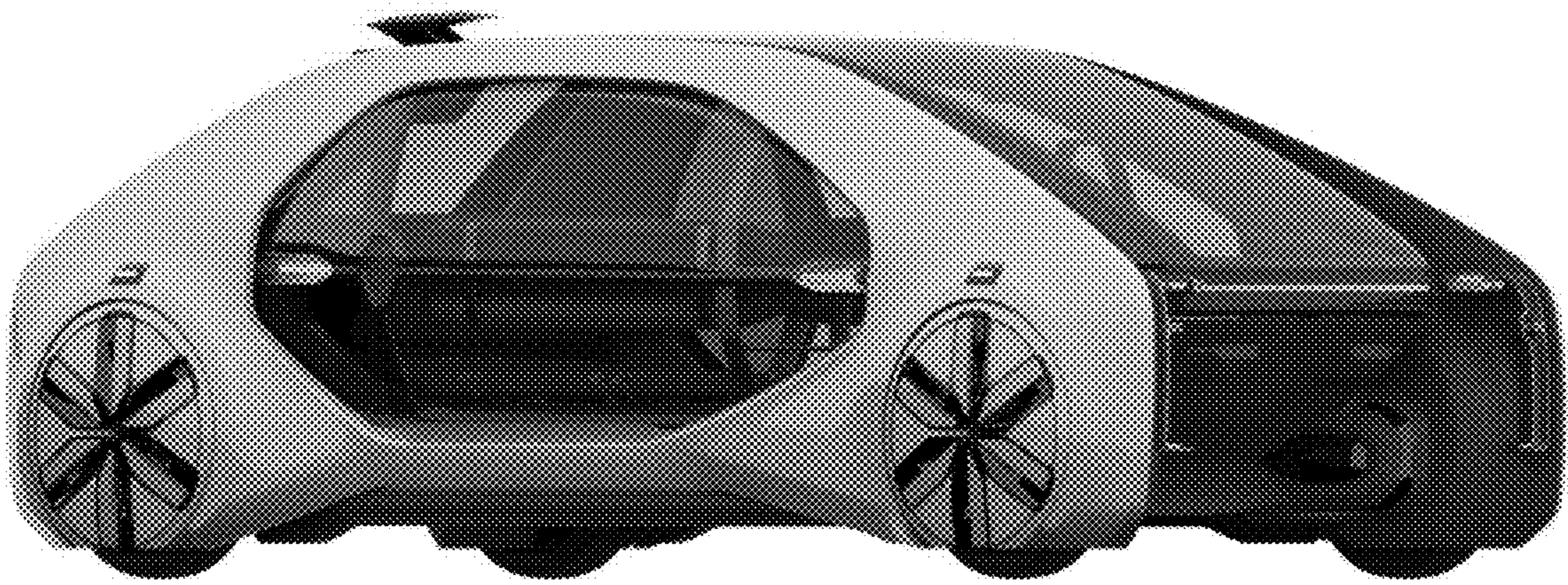
1 Claim, 10 Drawing Sheets
(10 of 10 Drawing Sheet(s) Filed in Color)



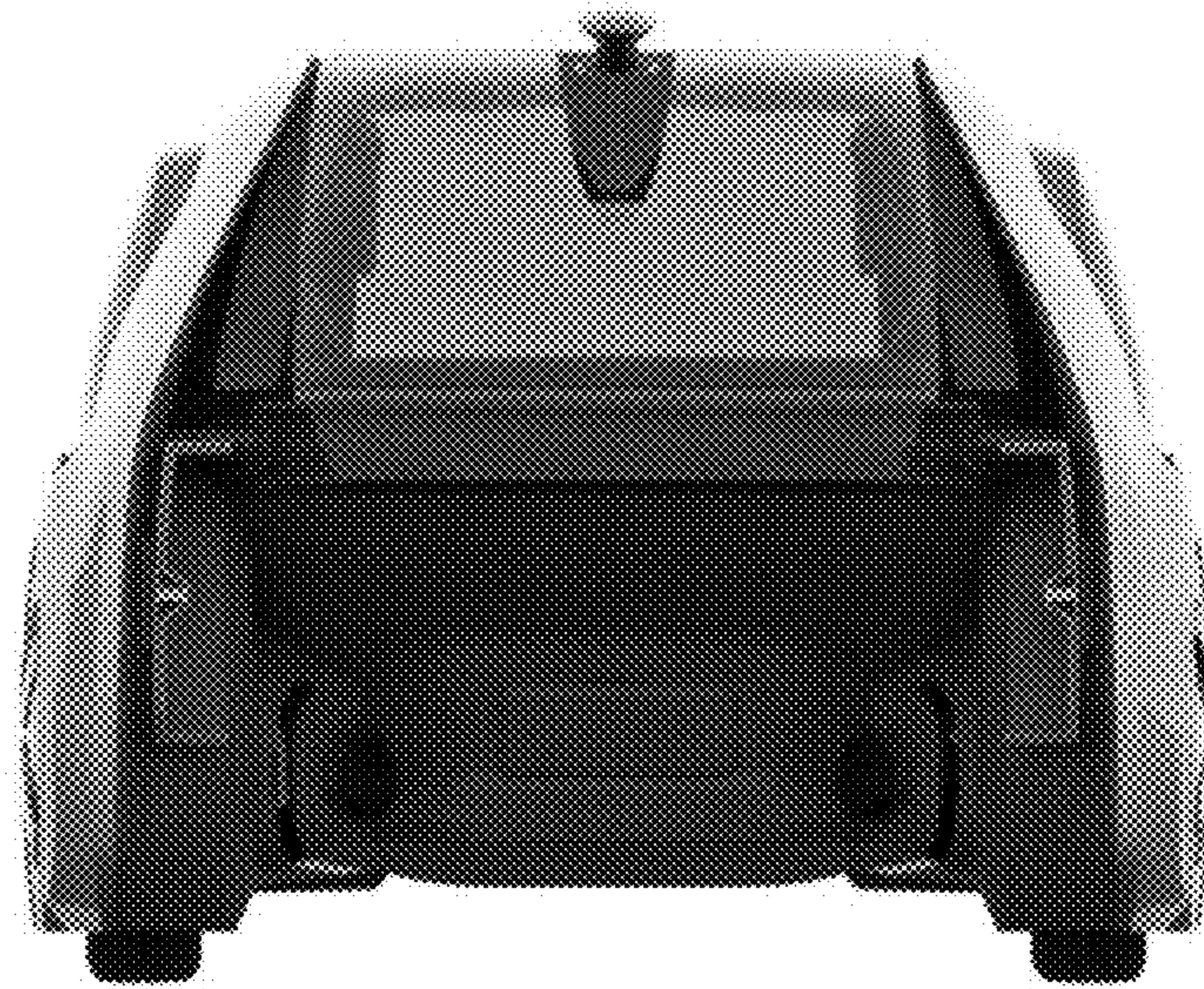
1.1



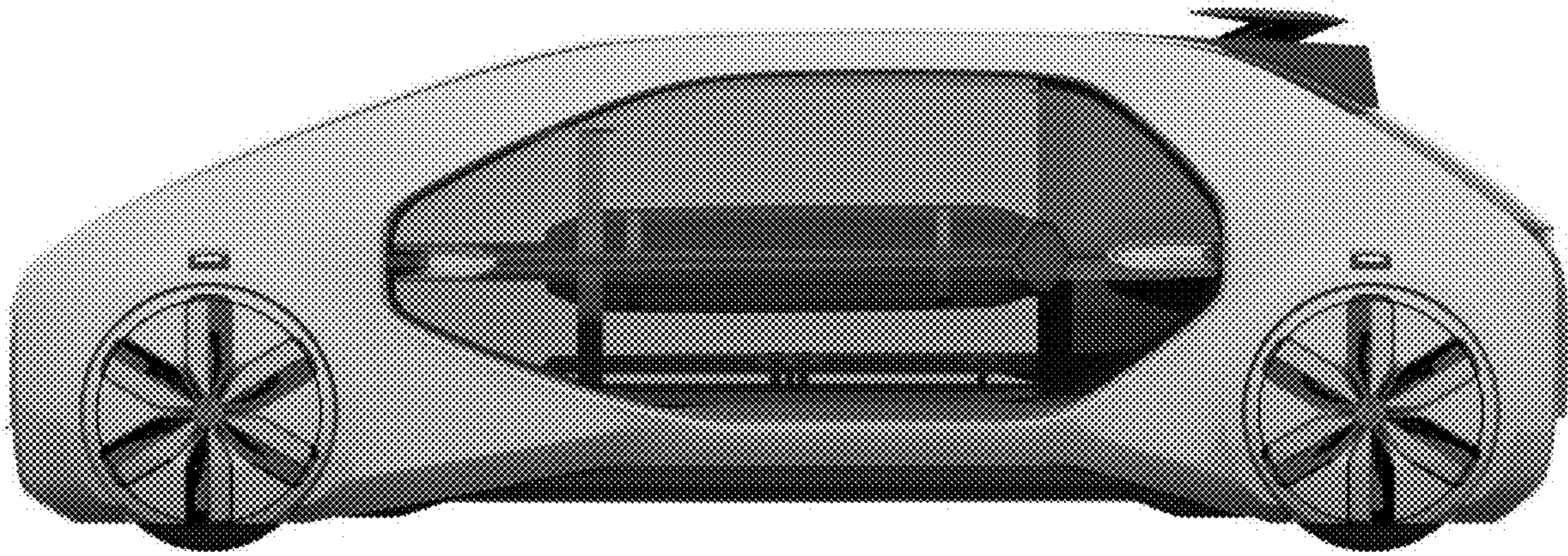
1.2



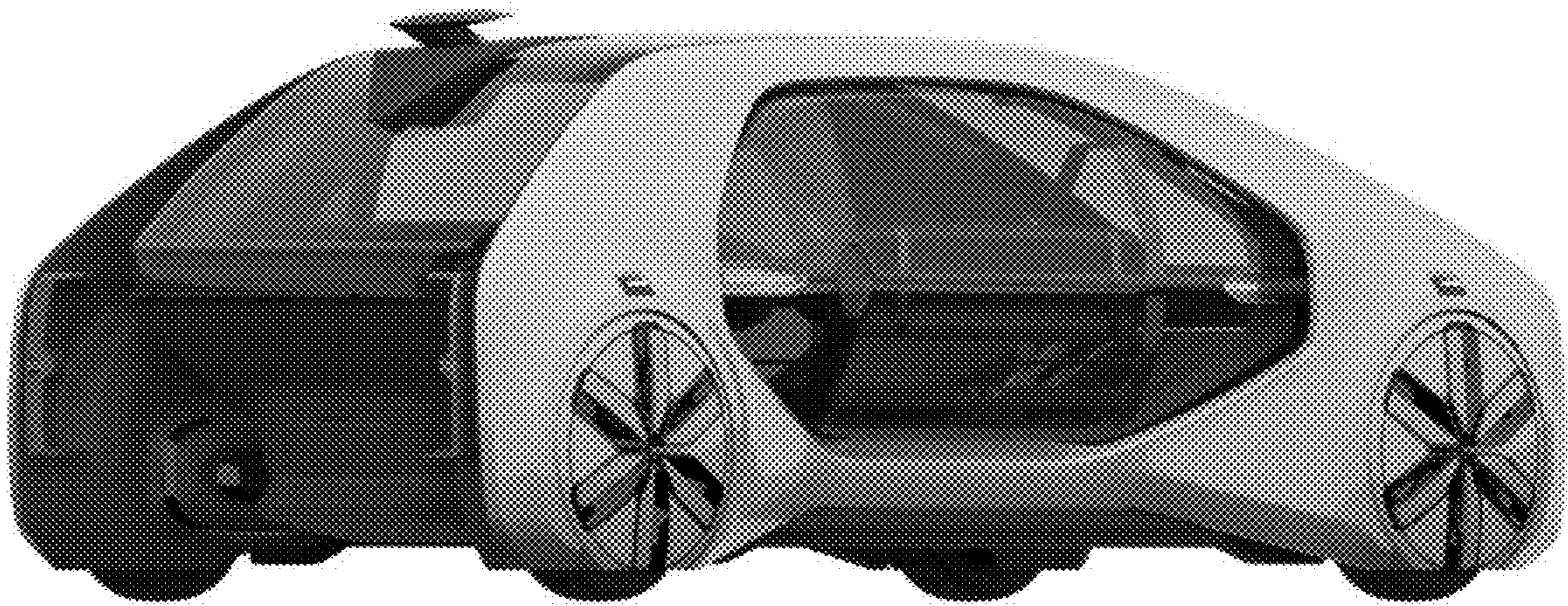
1.3



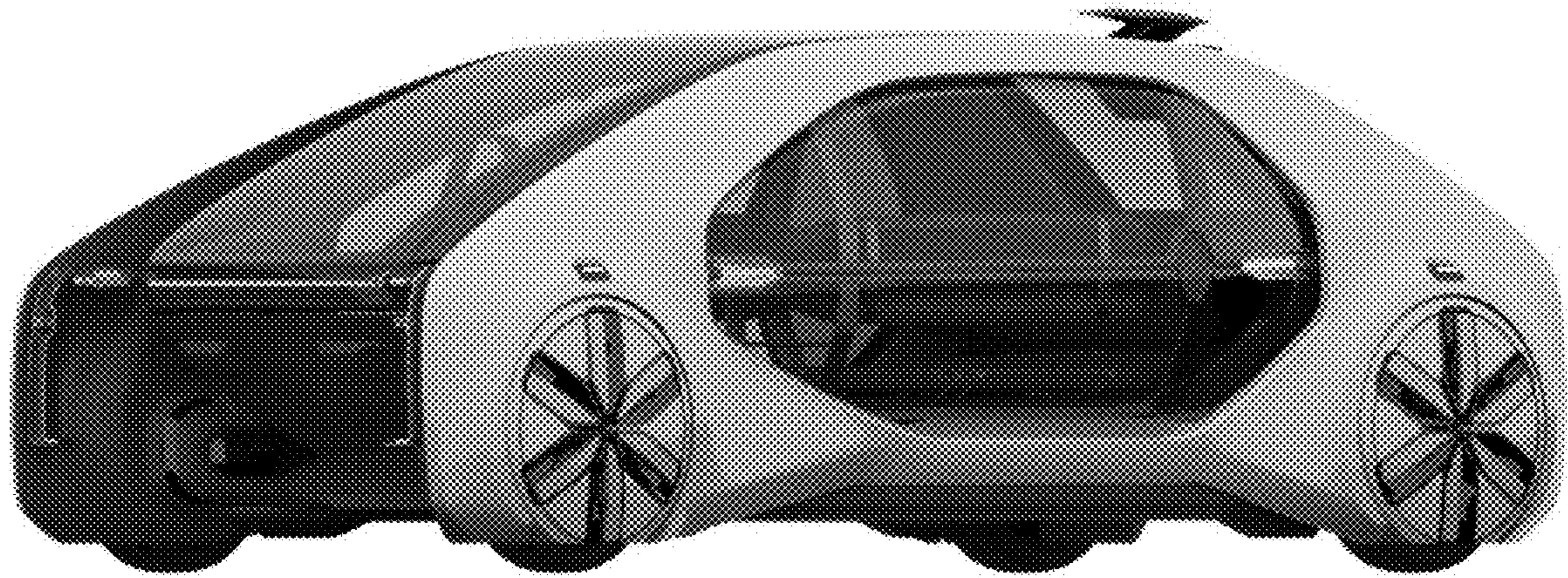
1.4



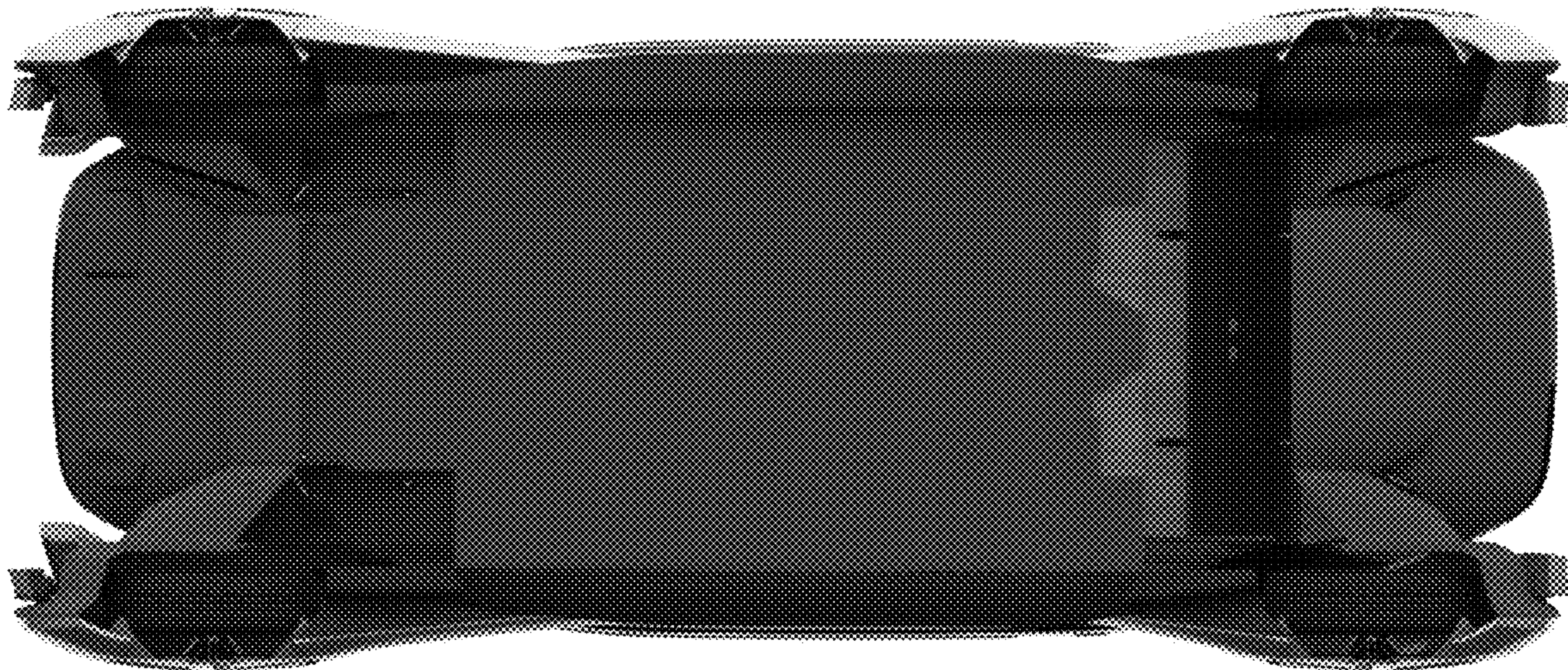
1.5



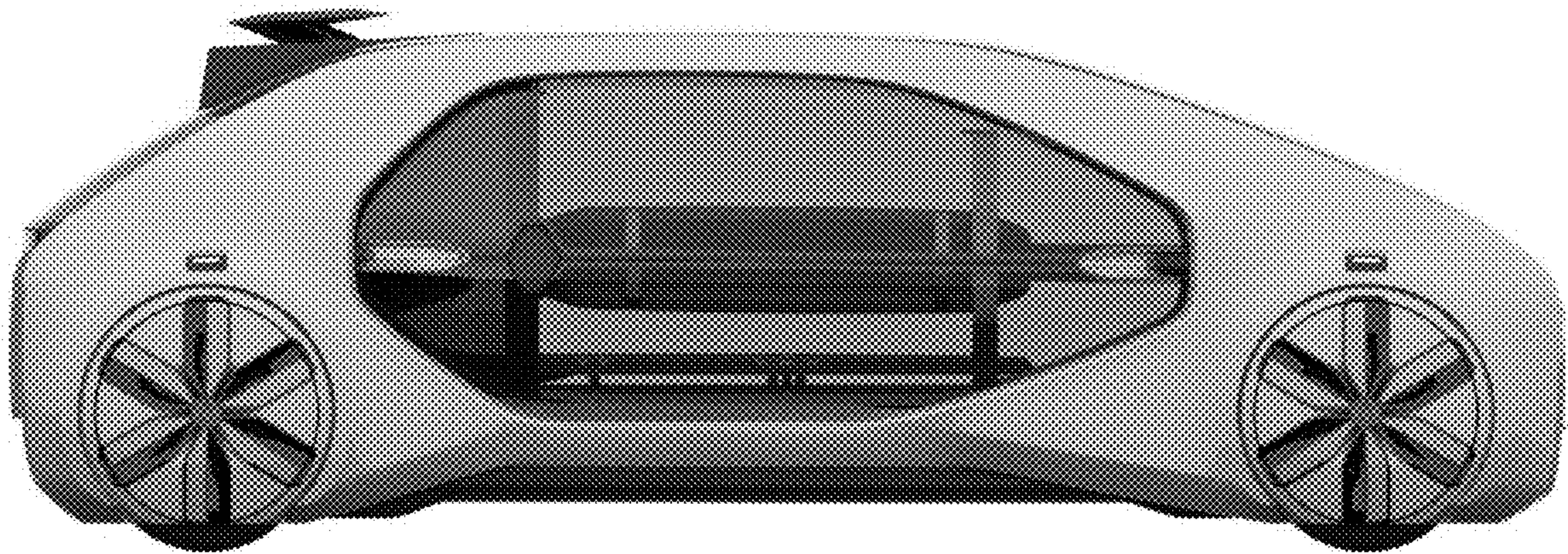
1.6



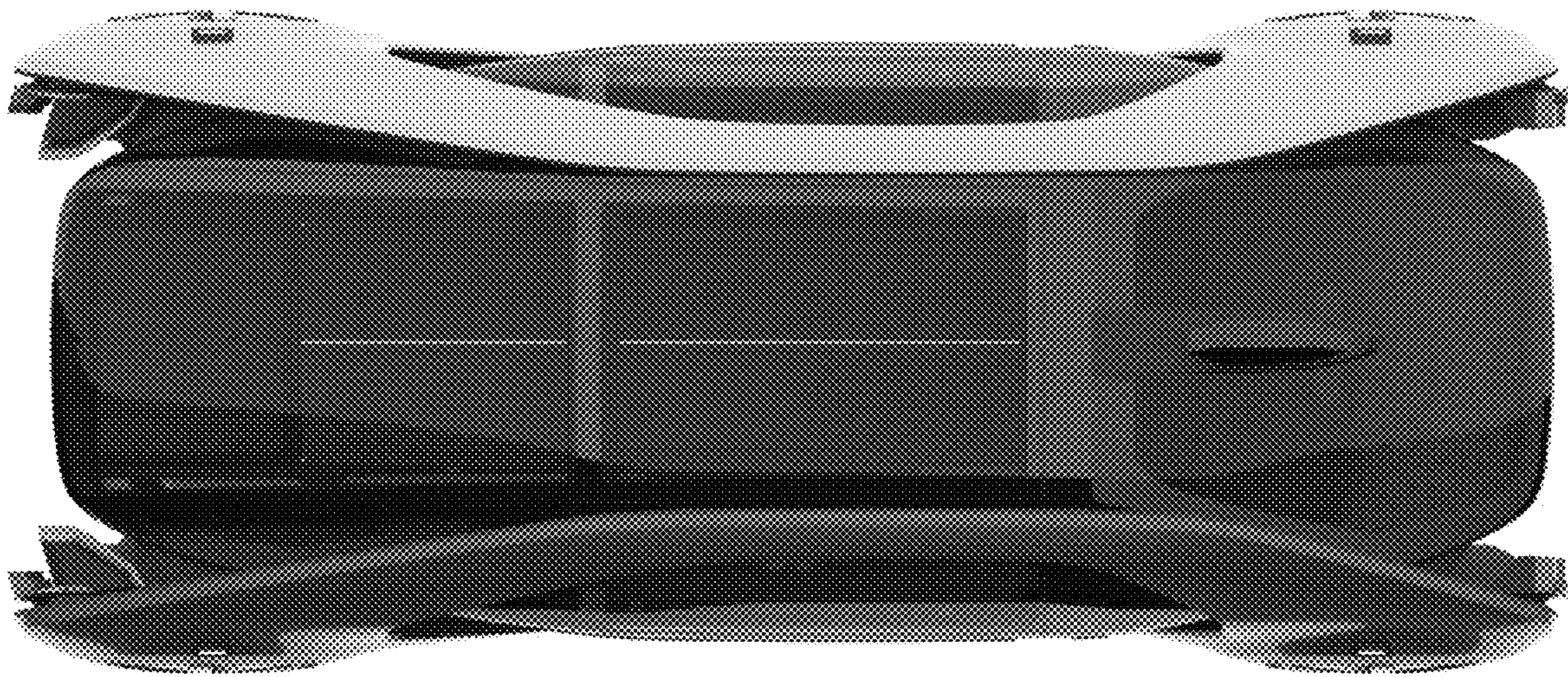
1.7



1.8



1.9



1.10

