

US00D860858S

(12) **United States Design Patent** (10) **Patent No.:** **US D860,858 S**  
**Evans et al.** (45) **Date of Patent:** **\*\* Sep. 24, 2019**

(54) **BELT BUCKLE**

B60R 2022/1806; B60R 2022/1812;  
B60R 2022/281; B65D 63/16; A62B  
35/00

(71) Applicants: **Scott Evans**, Jacksonville, NC (US);  
**Nicholas Tomczak**, Jacksonville, NC  
(US)

See application file for complete search history.

(72) Inventors: **Scott Evans**, Jacksonville, NC (US);  
**Nicholas Tomczak**, Jacksonville, NC  
(US)

(56) **References Cited**

U.S. PATENT DOCUMENTS

(73) Assignee: **Edge-Works Manufacturing  
Company**, Burgaw, NC (US)

D471,132 S *	3/2003	Murata	.....	D11/218
D510,297 S *	10/2005	Funo	.....	D11/218
D586,692 S *	2/2009	Nykoluk	.....	D11/218
D702,151 S *	4/2014	Kaneko	.....	D11/218
D729,689 S *	5/2015	Kelleghan	.....	D11/218
D731,919 S *	6/2015	Kung	.....	D11/218
D786,735 S *	5/2017	Koreishi	.....	D11/218
D838,916 S *	1/2019	Piombino	.....	D29/101.3

(\*\*) Term: **15 Years**

\* cited by examiner

(21) Appl. No.: **29/632,512**

(22) Filed: **Jan. 8, 2018**

*Primary Examiner* — Kevin K Rudzinski

(51) **LOC (12) Cl.** ..... **02-07**

*Assistant Examiner* — Richard Kearney

(52) **U.S. Cl.**

(74) *Attorney, Agent, or Firm* — Christina Chamberlain;  
Stephen M. Kepper; Intellectual Property Consulting,  
LLC

USPC ..... **D11/218**

(58) **Field of Classification Search**

(57) **CLAIM**

The ornamental design for a belt buckle, as shown and described.

USPC ..... D2/624, 626, 627, 633, 639, 640, 853,  
D2/923; D3/24, 213, 215, 216, 222, 230;  
D8/14, 331, 343, 349, 356, 358, 359, 360,  
D8/363, 366, 371, 382, 394, 395;  
D10/32, 38; D12/195, 416; D11/1, 2, 3,  
D11/12, 16, 86, 87, 93, 200, 201,  
D11/206–210, 212–218, 229–237;  
D30/139, 152, 153; D29/100–101.5, 122,  
D29/129, 130

**DESCRIPTION**

CPC ..... A44B 11/00; A44B 11/02; A44B 11/04;  
A44B 11/05; A44B 11/06; A44B 11/10;  
A44B 11/14; A44B 11/18; A44B 11/22;  
A44B 11/25; A44B 11/26; A44B 11/125;  
A44B 11/223; A44B 11/001; A44B  
11/005; A44B 11/006; A44B 11/2503;  
A44B 11/2507; A44B 11/2526; A44B  
11/2553; A44B 11/2592; A41F 1/008;  
A41F 9/002; A41F 9/007; A41F 11/06;  
B60R 22/30; B60R 22/32; B60R 22/022;

FIG. 1 is a top perspective view of a belt buckle showing our new design.

FIG. 2 is a bottom perspective view of the belt buckle shown in FIG. 1.

FIG. 3 is a front view of the belt buckle shown in FIG. 1.

FIG. 4 is a rear view of the belt buckle shown in FIG. 1.

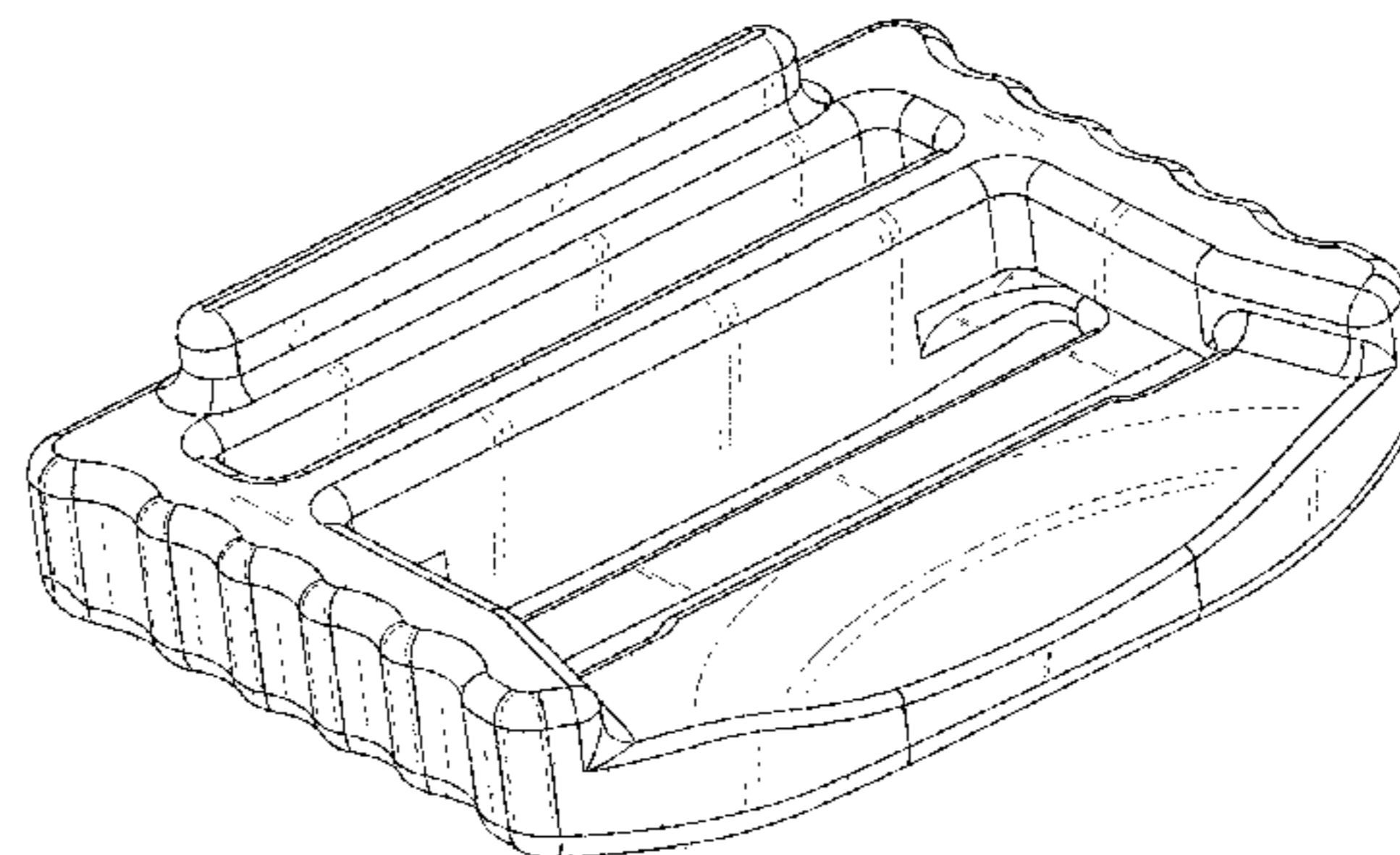
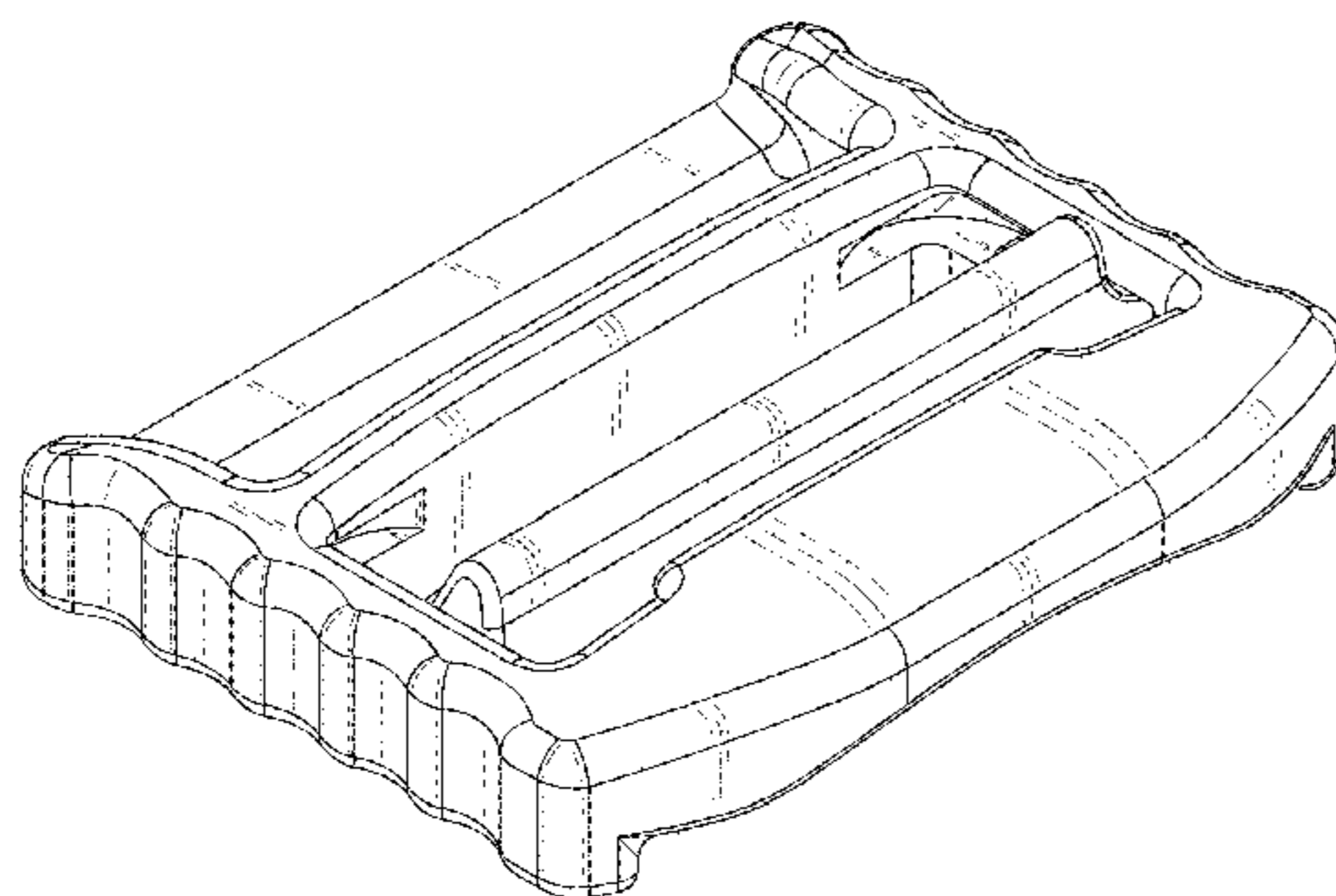
FIG. 5 is a left side view of the belt buckle shown in FIG. 1.

FIG. 6 is a right side view of the belt buckle shown in FIG. 1.

FIG. 7 is a top view of the belt buckle shown in FIG. 1; and,

FIG. 8 is a bottom view of the belt buckle shown in FIG. 1.

**1 Claim, 7 Drawing Sheets**



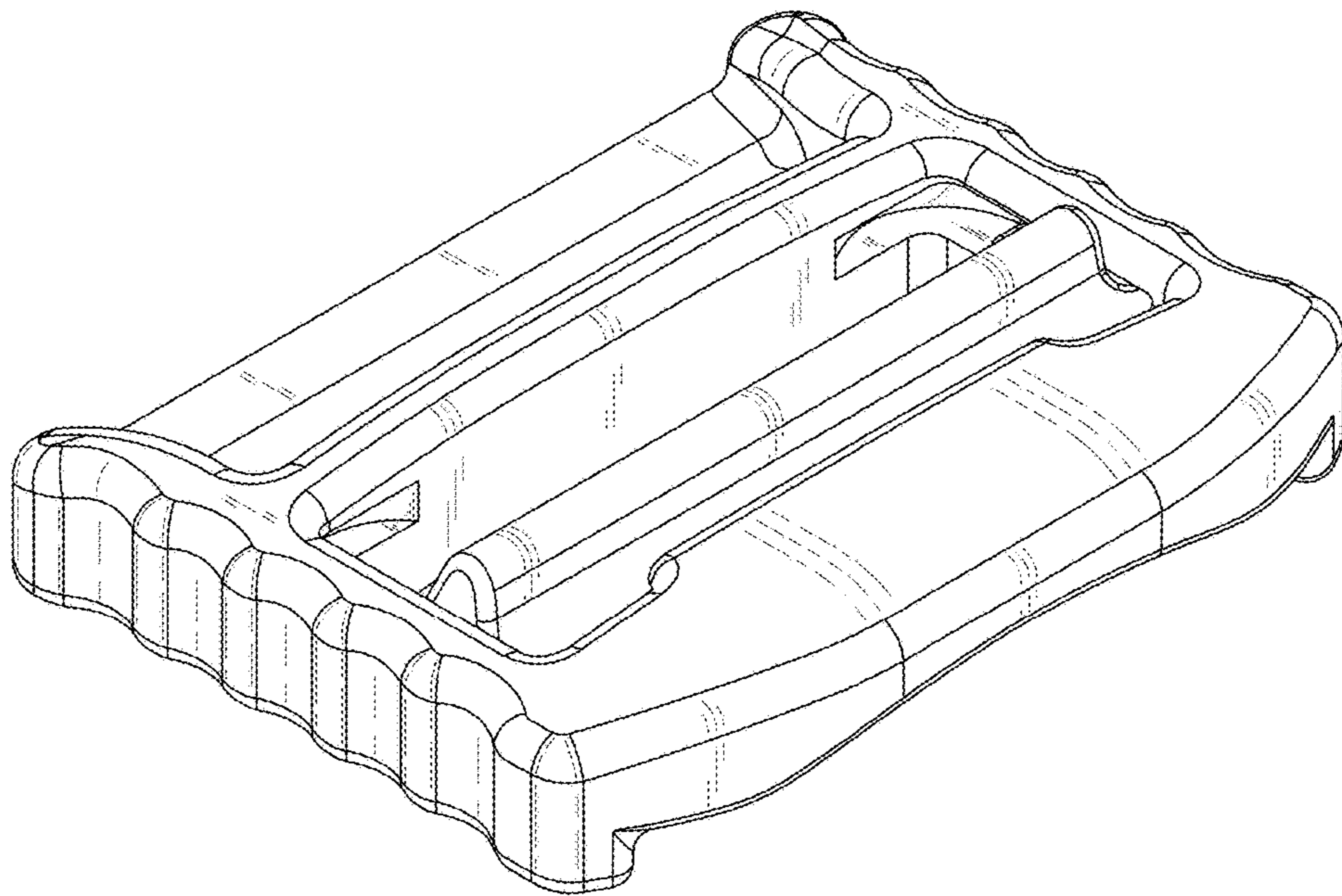


FIG. 1

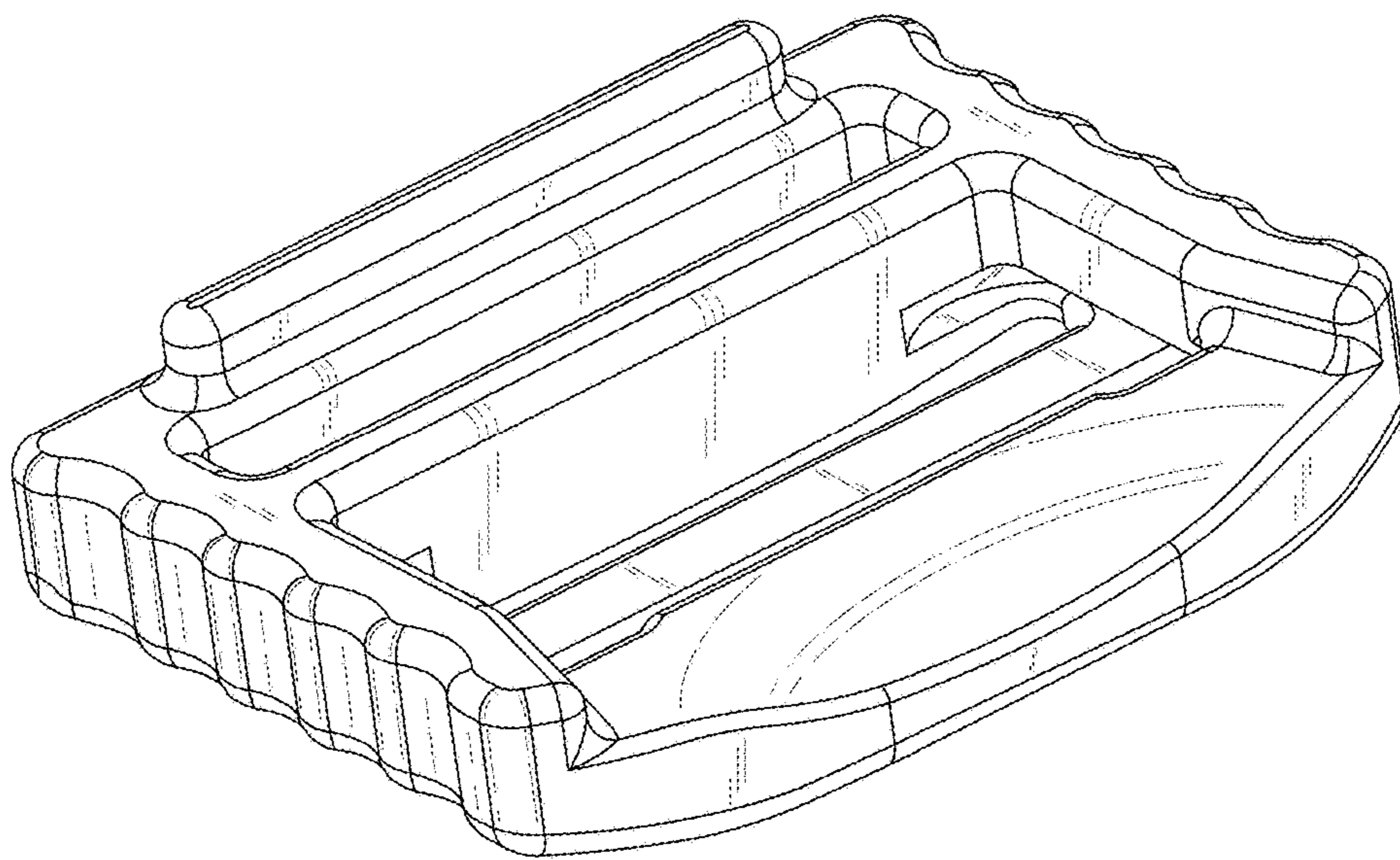


FIG. 2

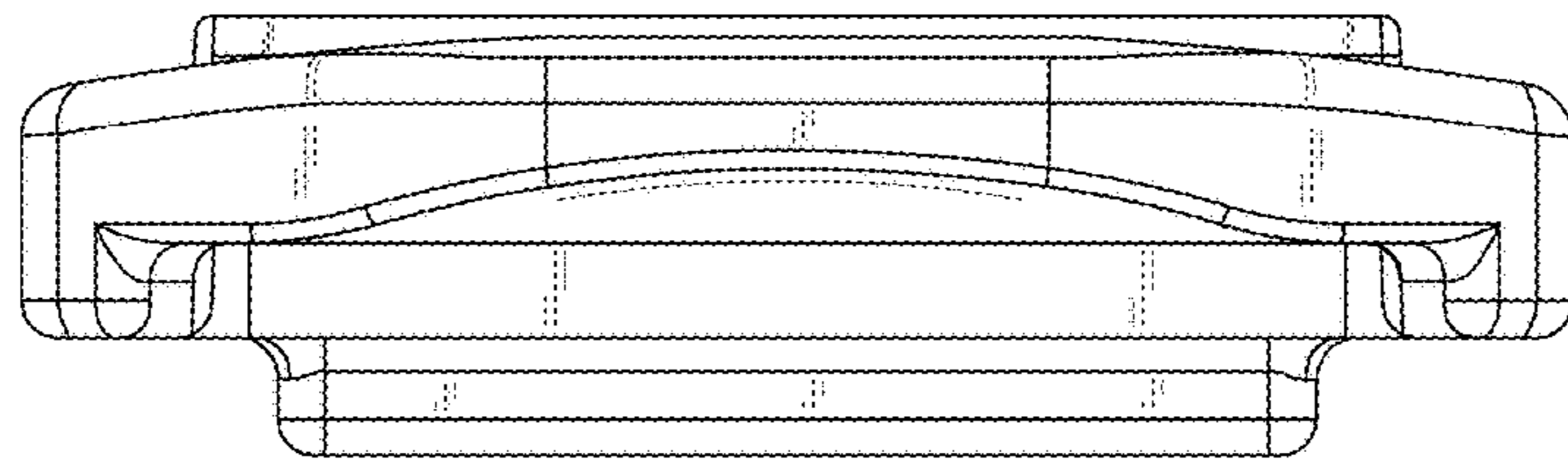


FIG. 3

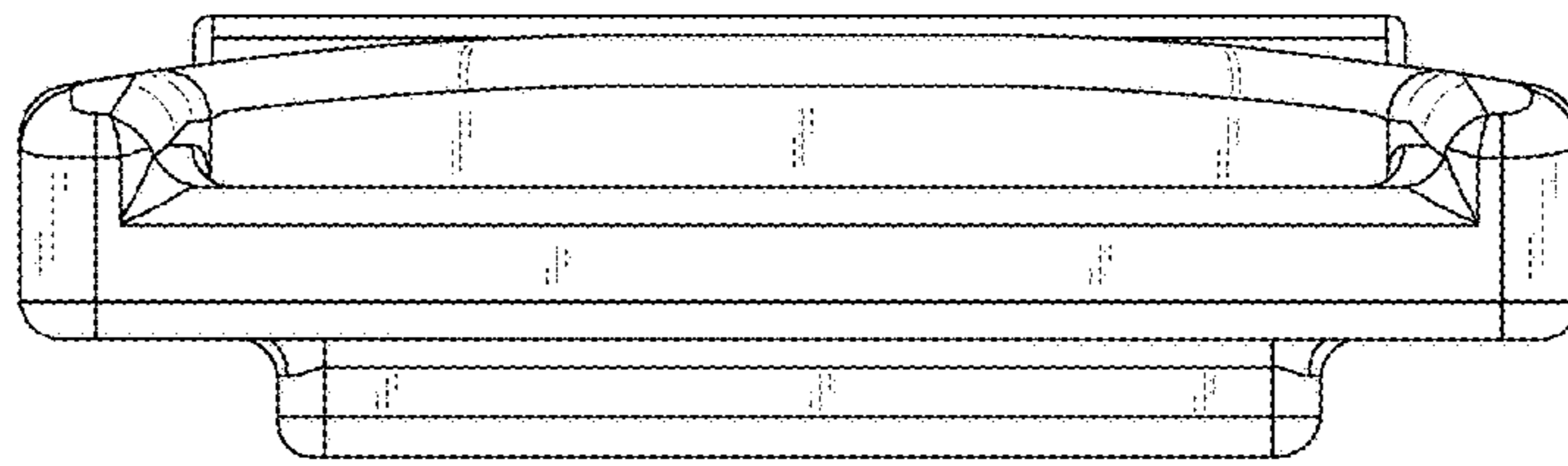


FIG. 4

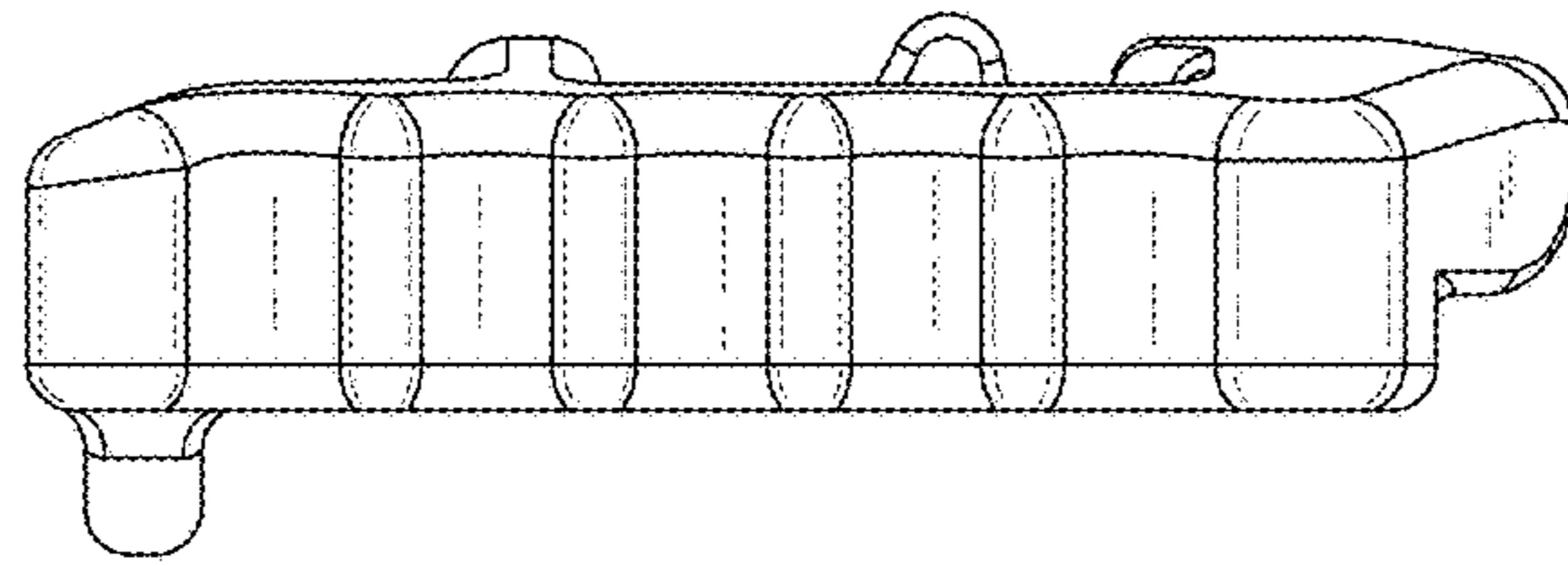


FIG. 5

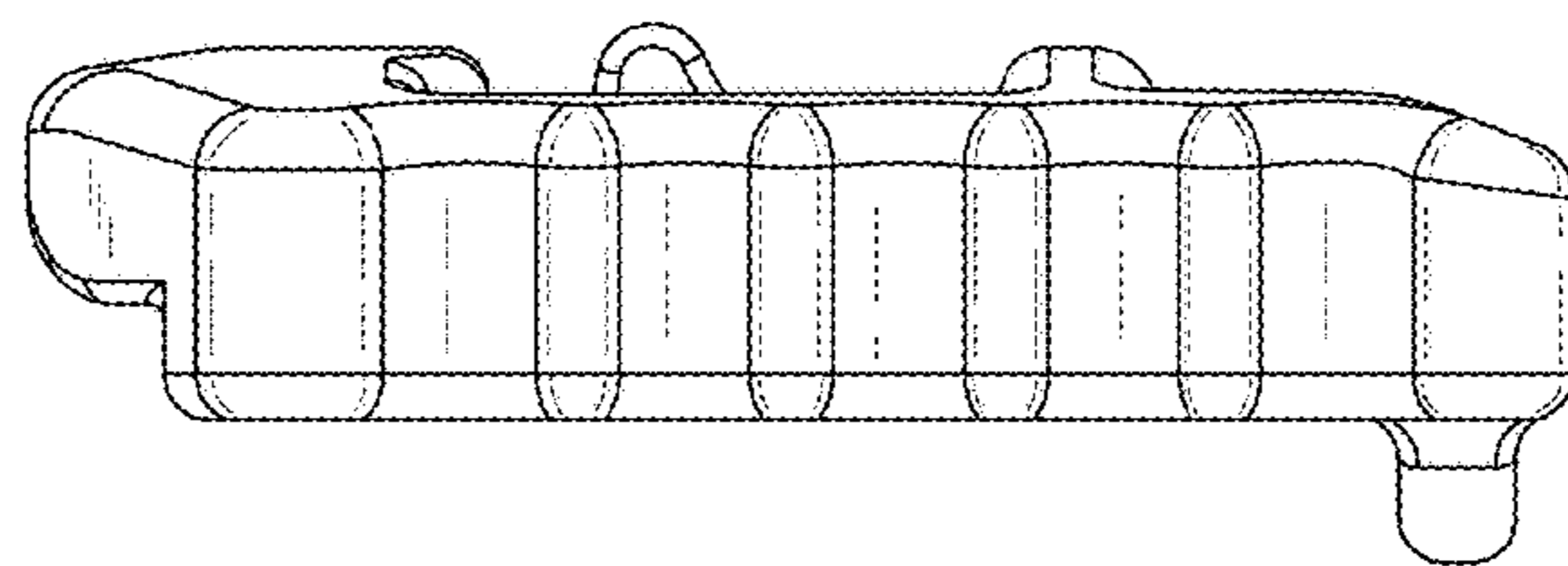


FIG. 6

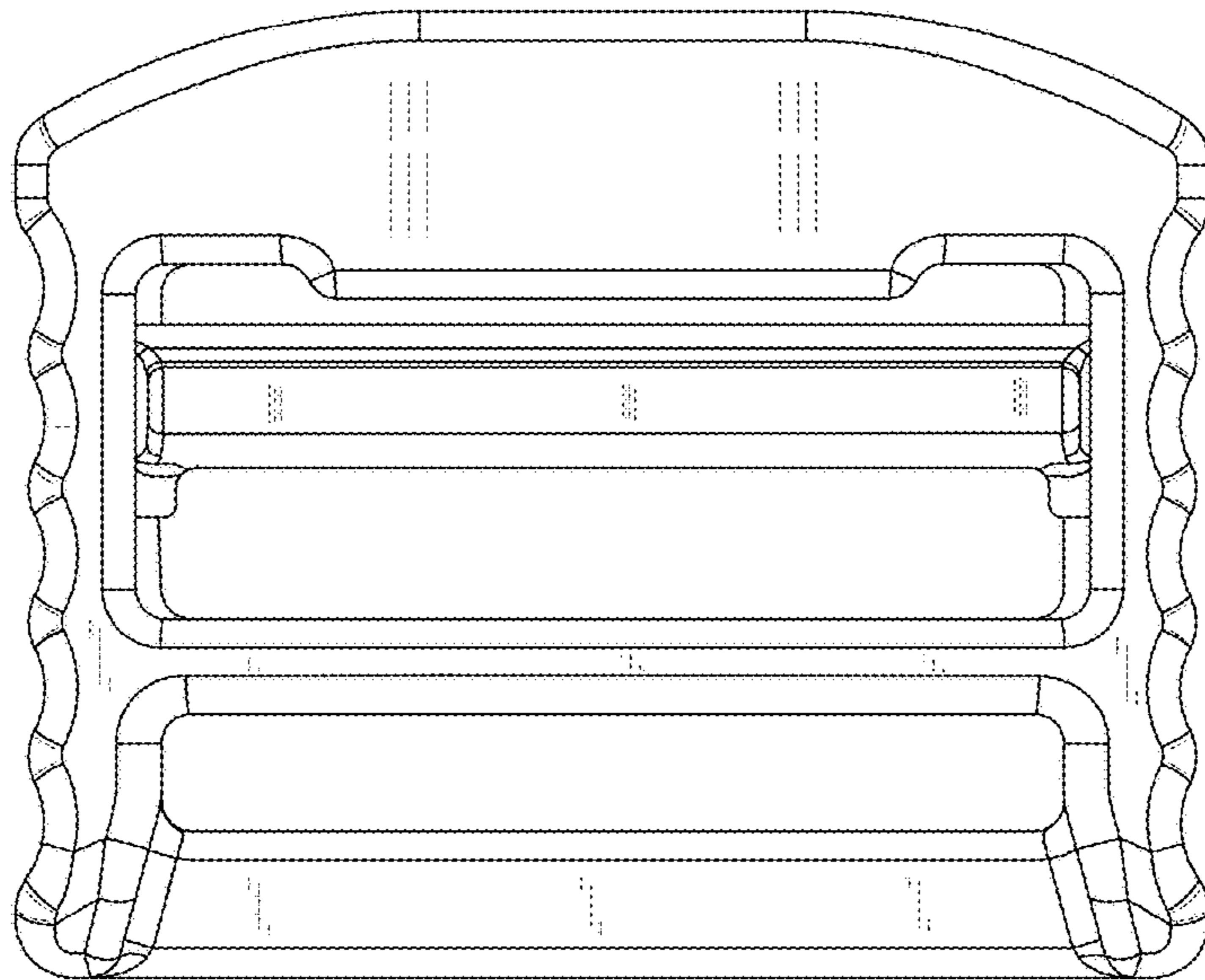


FIG. 7

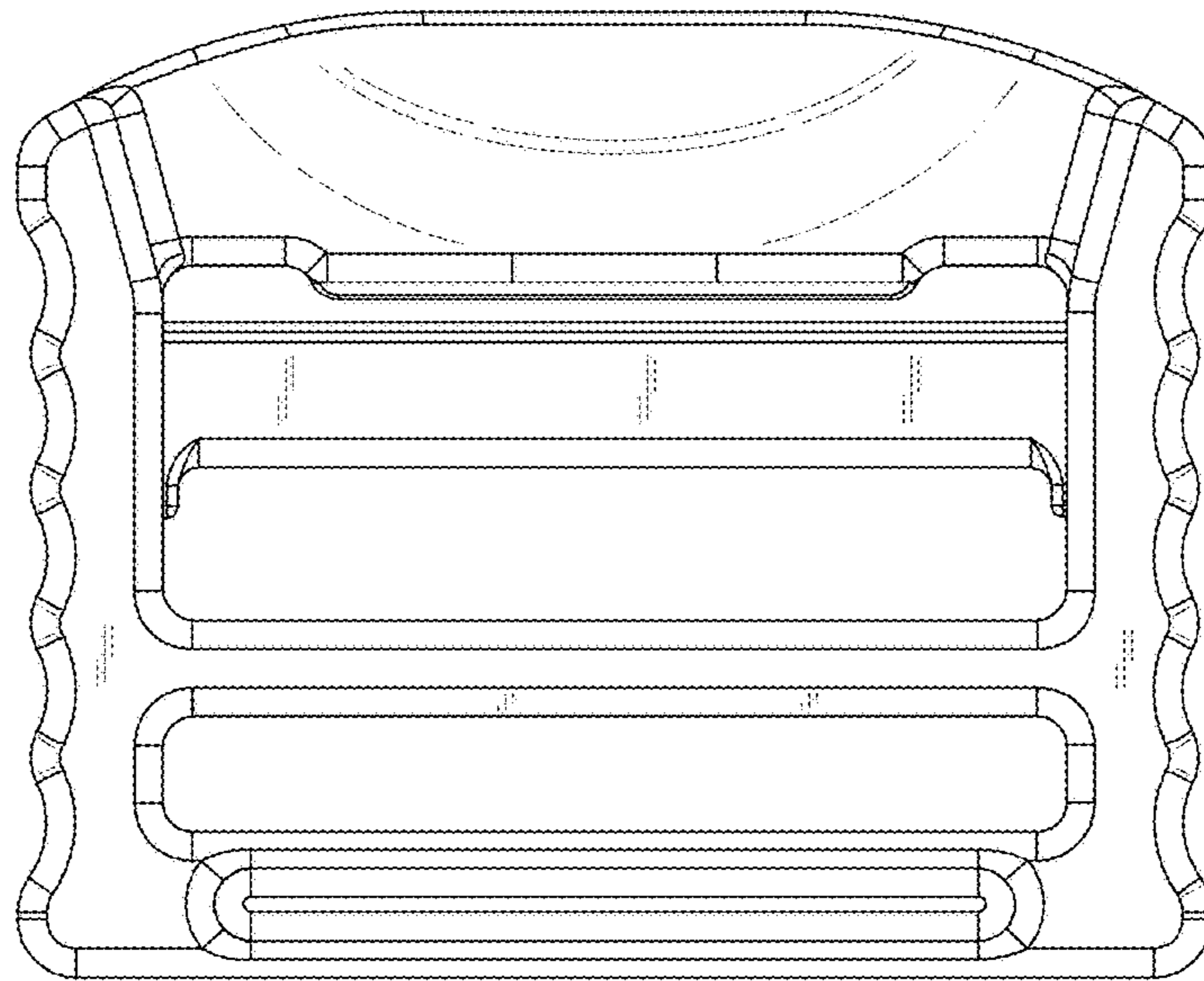


FIG. 8