



US00D860857S

(12) **United States Design Patent** (10) **Patent No.:** **US D860,857 S**  
**Taylor et al.** (45) **Date of Patent:** **\*\* Sep. 24, 2019**

(54) **BELT BUCKLE**

(71) Applicant: **SlideBelts Inc.**, El Dorado Hills, CA (US)

(72) Inventors: **Brigham Thomas Taylor**, El Dorado Hills, CA (US); **Hauson Karl Haung Toh**, El Dorado Hills, CA (US)

(73) Assignee: **SLIDEBELTS INC.**, El Dorado Hills, CA (US)

(\*\*) Term: **15 Years**

(21) Appl. No.: **29/622,818**

(22) Filed: **Oct. 19, 2017**

(51) **LOC (12) Cl.** ..... **11-07**

(52) **U.S. Cl.**  
USPC ..... **D11/216**

(58) **Field of Classification Search**  
USPC ..... D2/624, 626, 627, 633, 639, 640, 853, D2/923; D3/24, 213, 215, 216, 230;  
(Continued)

(56) **References Cited**

**U.S. PATENT DOCUMENTS**

2,074,287 A *	3/1937	Tavani .....	A44B 11/00
			24/316
2,110,684 A *	3/1938	Schuhmann .....	A44B 11/25
			24/313

(Continued)

**FOREIGN PATENT DOCUMENTS**

EM 003407287-0002 \* 12/2016

*Primary Examiner* — Kevin K Rudzinski

*Assistant Examiner* — Richard Kearney

(74) *Attorney, Agent, or Firm* — Knobbe, Martens, Olson & Bear, LLP

(57) **CLAIM**

The ornamental design for a belt buckle, as shown and described.

**DESCRIPTION**

FIG. 1 is a top, rear, and side perspective view of an embodiment of a belt buckle.

FIG. 2 is a bottom, front, side perspective view of the belt buckle of FIG. 1.

FIG. 3 is a top view of the belt buckle of FIG. 1.

FIG. 4 is a bottom view of the belt buckle of FIG. 1.

FIG. 5 is a first side view of the belt buckle of FIG. 1.

FIG. 6 is a second side view of the belt buckle of FIG. 1.

FIG. 7 is a front view of the belt buckle of FIG. 1.

FIG. 8 is a rear view of the belt buckle of FIG. 1.

FIG. 9 is a top, rear, and side perspective view of the belt buckle of FIG. 1 with components of the belt buckle positioned in a second position.

FIG. 10 is a bottom, front, side perspective view of the belt buckle of FIG. 9.

FIG. 11 is a top view of the belt buckle of FIG. 9.

FIG. 12 is a bottom view of the belt buckle of FIG. 9.

FIG. 13 is a first side view of the belt buckle of FIG. 9.

FIG. 14 is a second side view of the belt buckle of FIG. 9.

FIG. 15 is a front view of the belt buckle of FIG. 9.

FIG. 16 is a rear view of the belt buckle of FIG. 9.

FIG. 17 is a top, rear, and side perspective view of an embodiment of a belt buckle.

FIG. 18 is a bottom, front, side perspective view of the belt buckle of FIG. 17.

FIG. 19 is a top view of the belt buckle of FIG. 17.

FIG. 20 is a bottom view of the belt buckle of FIG. 17.

FIG. 21 is a first side view of the belt buckle of FIG. 17.

FIG. 22 is a second side view of the belt buckle of FIG. 17.

FIG. 23 is a front view of the belt buckle of FIG. 17.

FIG. 24 is a rear view of the belt buckle of FIG. 17.

FIG. 25 is a top, rear, and side perspective view of the belt buckle of FIG. 17 with components of the belt buckle positioned in a second position.

FIG. 26 is a bottom, front, side perspective view of the belt buckle of FIG. 25.

FIG. 27 is a top view of the belt buckle of FIG. 25.

FIG. 28 is a bottom view of the belt buckle of FIG. 25.

FIG. 29 is a first side view of the belt buckle of FIG. 25.

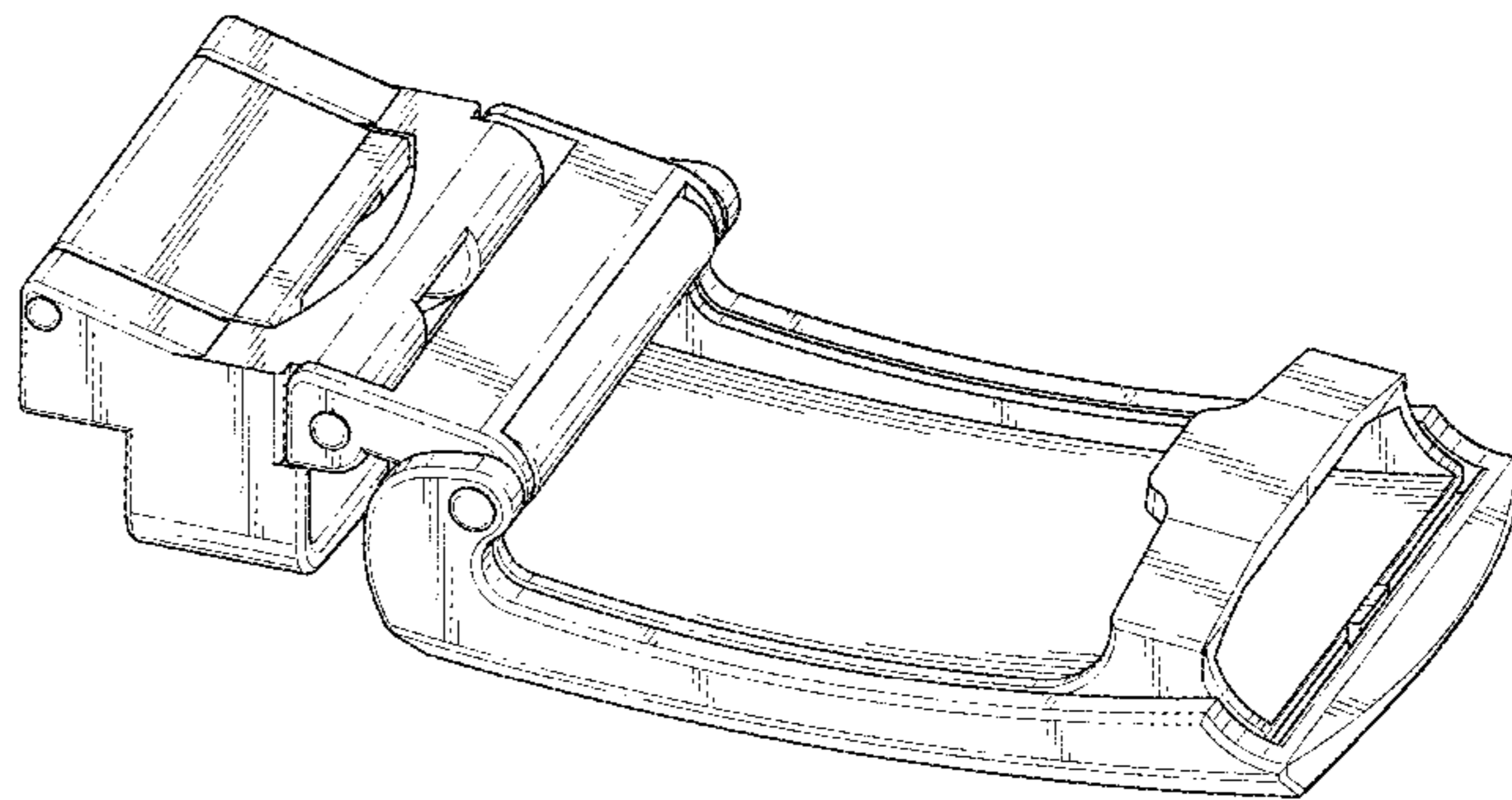
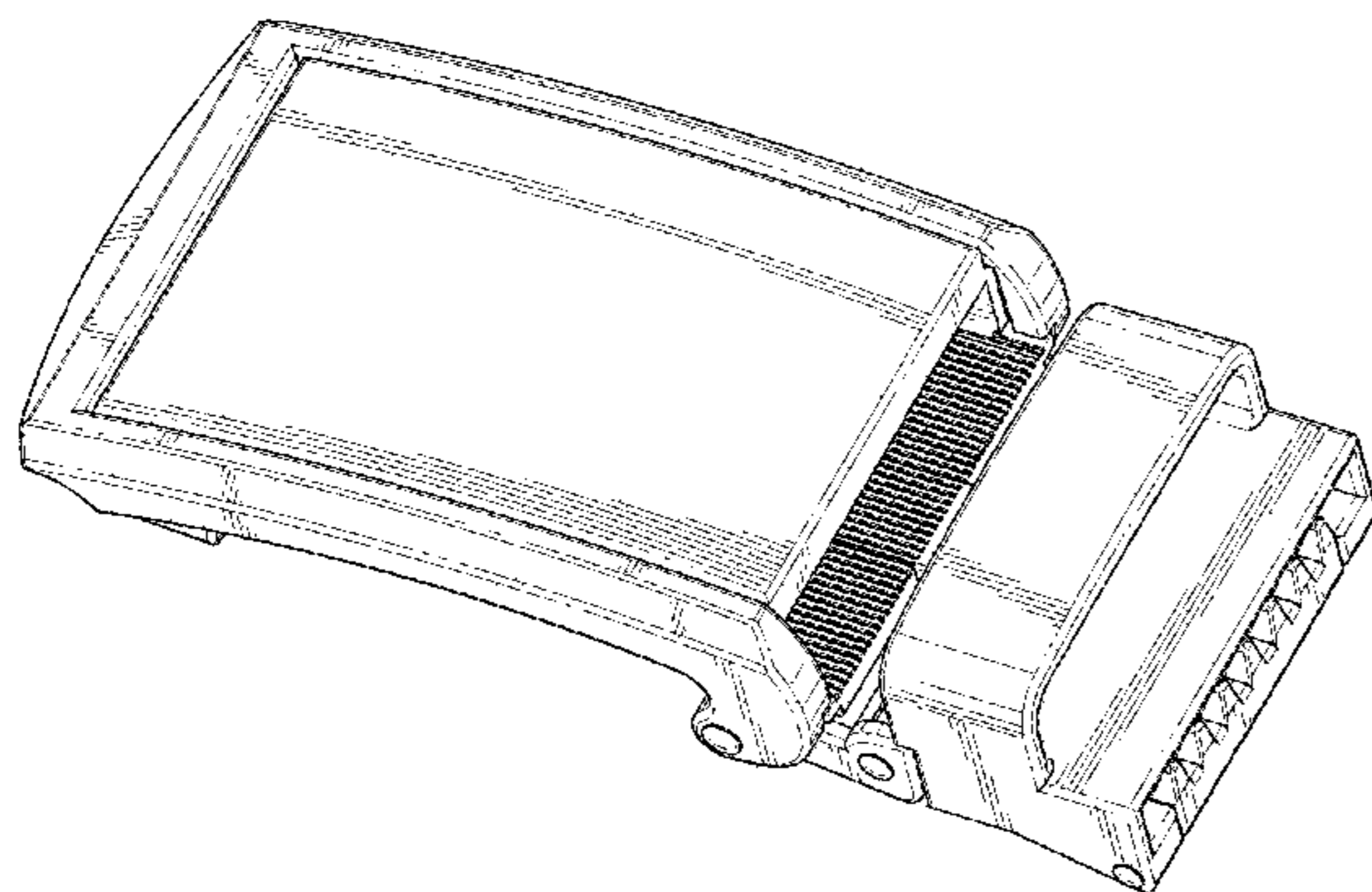
FIG. 30 is a second side view of the belt buckle of FIG. 25.

FIG. 31 is a front view of the belt buckle of FIG. 25; and,

FIG. 32 is a rear view of the belt buckle of FIG. 25.

Broken lines are used to illustrate features of the belt buckle that are disclaimed and form no part of the claimed design.

**1 Claim, 16 Drawing Sheets**



(58) **Field of Classification Search**

USPC .. D8/14, 331, 343, 349, 356, 358, 359, 360,  
 D8/363, 366, 371, 382, 394, 395;  
 D10/32, 38; D11/1, 2, 3, 12, 16, 86, 87,  
 D11/93, 200, 201, 206–210, 212–218,  
 D11/229–237; D12/195, 416;  
 D29/100–101.5, 122, 129, 130; D30/139,  
 D30/152, 153  
 CPC ..... A44B 11/00; A44B 11/02; A44B 11/04;  
 A44B 11/05; A44B 11/06; A44B 11/10;  
 A44B 11/14; A44B 11/22; A44B 11/25;  
 A44B 11/26; A44B 11/125; A44B 11/223;  
 A44B 11/001; A44B 11/005; A44B  
 11/006; A44B 11/2503; A44B 11/2507;  
 A44B 11/2553; A44B 11/2592; A41F  
 1/008; A41F 9/002; A41F 9/007; A41F  
 11/06; B60R 22/30; B60R 22/32; B60R  
 22/022; B60R 2022/1806; B60R  
 2022/1812; B60R 2022/281; B65D 63/16;  
 A62B 35/00

See application file for complete search history.

(56) **References Cited**

U.S. PATENT DOCUMENTS

D167,823 S \* 9/1952 Bliss ..... D11/200  
 D176,056 S \* 11/1955 Balcer ..... D11/229  
 2,802,248 A 8/1957 Wallace  
 3,152,374 A 10/1964 Round  
 3,466,668 A 9/1969 Ochiai  
 4,249,267 A 2/1981 Voss  
 4,437,598 A \* 3/1984 Hull ..... A44B 11/005  
 224/163  
 4,669,155 A 6/1987 Chen  
 5,181,300 A 1/1993 Schwarz  
 5,379,493 A \* 1/1995 Wu ..... A44B 11/001  
 24/163 K  
 5,572,747 A 11/1996 Cheng  
 5,579,563 A 12/1996 Sim

5,588,184 A 12/1996 Chen  
 5,588,186 A 12/1996 Ko  
 D382,462 S \* 8/1997 Arthurs ..... D8/343  
 D391,885 S \* 3/1998 Kennedy ..... D11/12  
 D394,382 S \* 5/1998 Knight ..... D8/395  
 5,806,145 A 9/1998 Chen  
 5,839,170 A 11/1998 Cho  
 6,067,662 A 5/2000 Sim  
 6,081,973 A 7/2000 Liu  
 6,148,485 A 11/2000 Wu  
 D453,125 S 1/2002 Citton  
 D454,093 S \* 3/2002 Schlatter ..... D11/216  
 6,457,210 B1 10/2002 Shirai et al.  
 D471,328 S \* 3/2003 Hanna ..... D11/218  
 6,898,826 B2 5/2005 Draper et al.  
 D508,872 S 8/2005 Hoepfner  
 7,032,415 B2 4/2006 Young  
 7,246,383 B2 7/2007 Musal  
 7,254,872 B2 8/2007 Ross  
 D567,709 S \* 4/2008 Cho ..... D11/216  
 D568,785 S \* 5/2008 Yang ..... D11/200  
 D604,654 S \* 11/2009 Calvani ..... D11/1  
 D625,656 S 10/2010 Kosh et al.  
 D639,201 S \* 6/2011 Cole ..... D11/87  
 8,056,192 B1 11/2011 Posner  
 8,146,211 B2 4/2012 Shirai et al.  
 8,689,364 B2 4/2014 Rowland et al.  
 D727,204 S 4/2015 Laatz  
 9,149,090 B1 10/2015 Taylor  
 D742,722 S \* 11/2015 Paik ..... D8/356  
 D743,841 S 11/2015 Laatz  
 D748,012 S 1/2016 Laatz  
 D753,020 S \* 4/2016 Monachon ..... D11/231  
 9,351,526 B1 5/2016 Taylor  
 9,370,223 B1 6/2016 Taylor  
 D776,568 S 1/2017 Taylor  
 D809,241 S \* 2/2018 Thayer ..... D2/627  
 2009/0178256 A1 7/2009 Toth  
 2011/0232044 A1 \* 9/2011 Chen ..... A44B 11/001  
 24/163 K  
 2012/0036618 A1 2/2012 Rowland  
 2013/0167288 A1 7/2013 Rowland et al.

\* cited by examiner



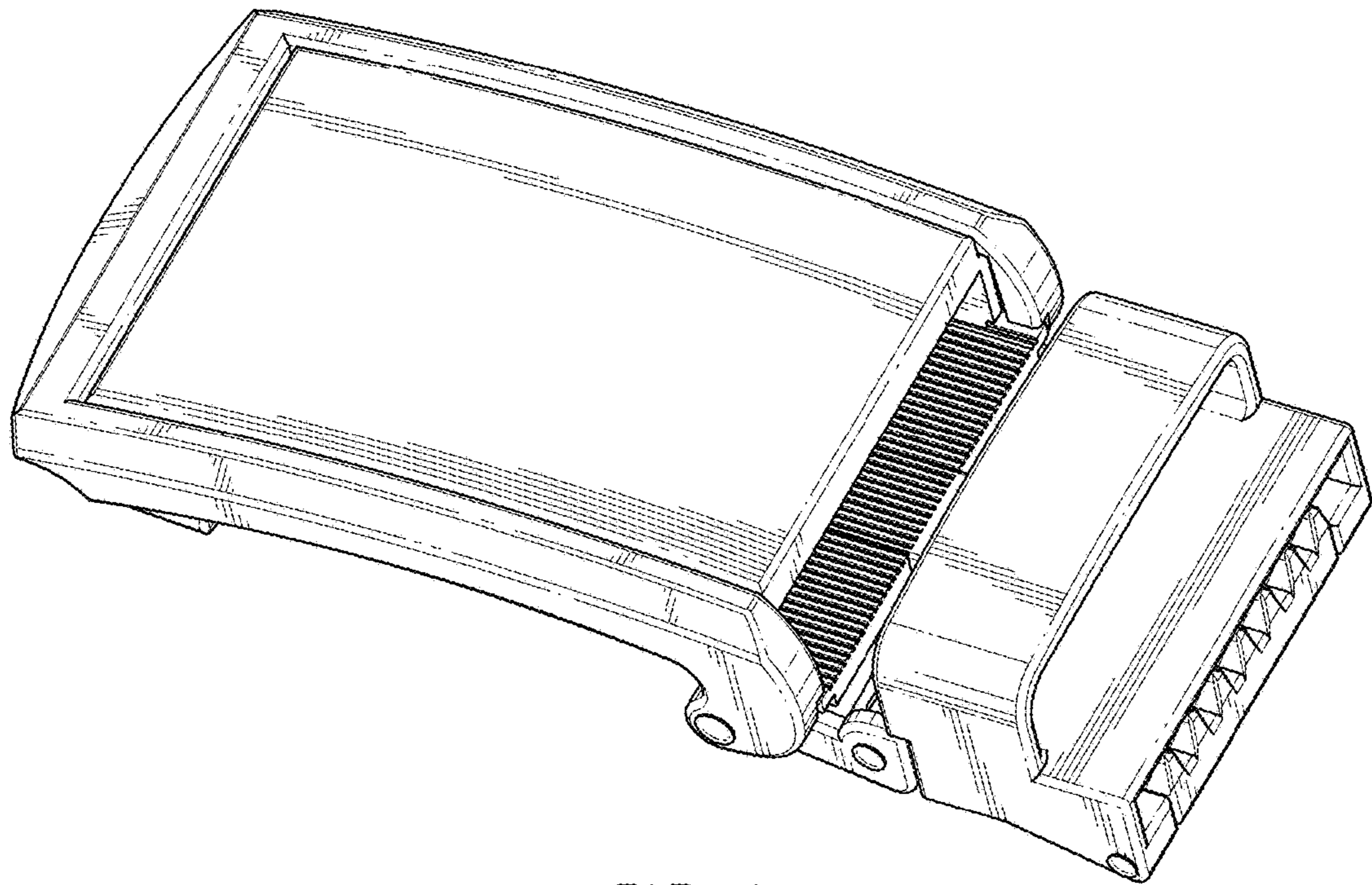


FIG. 1

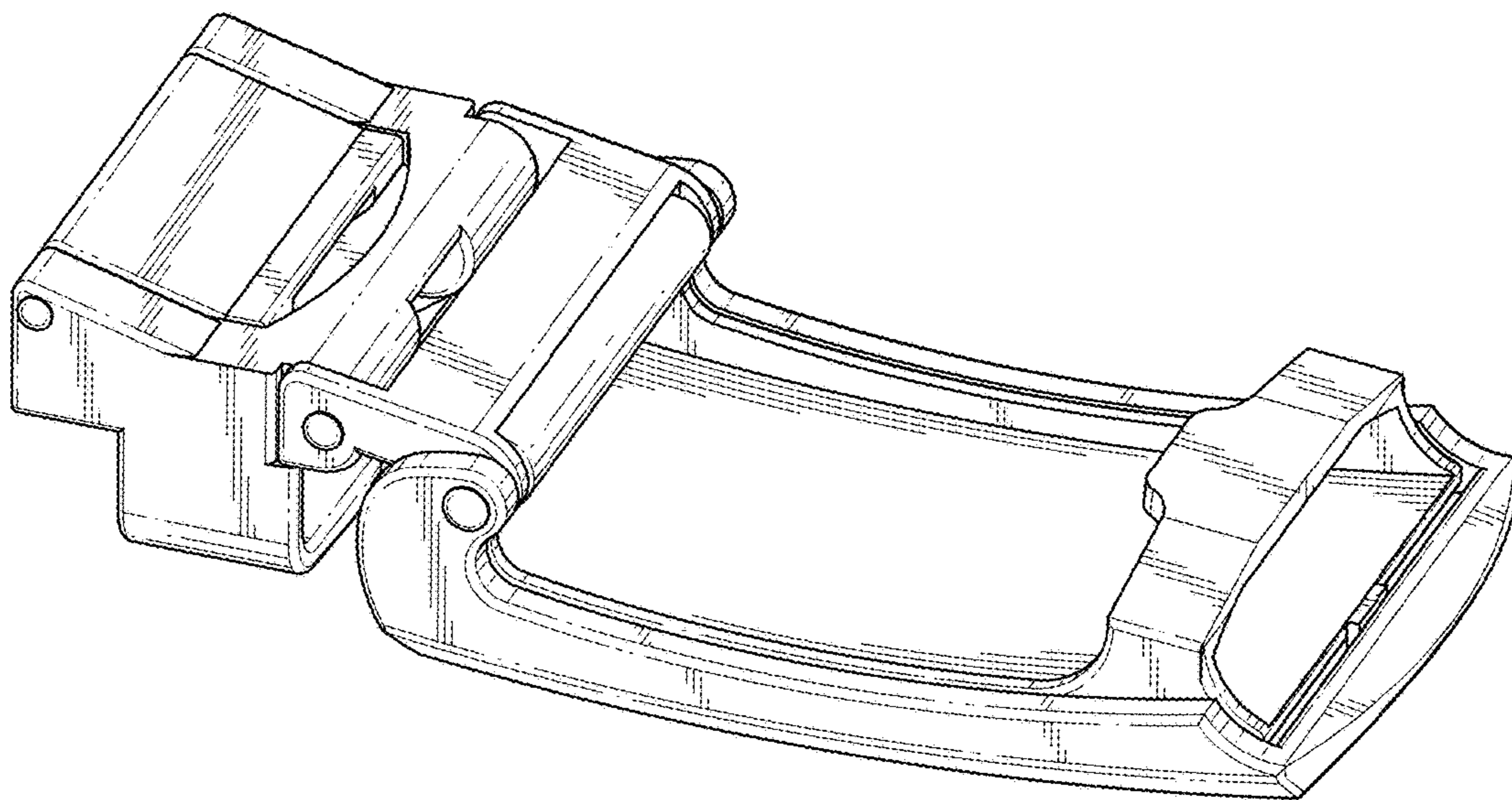


FIG. 2

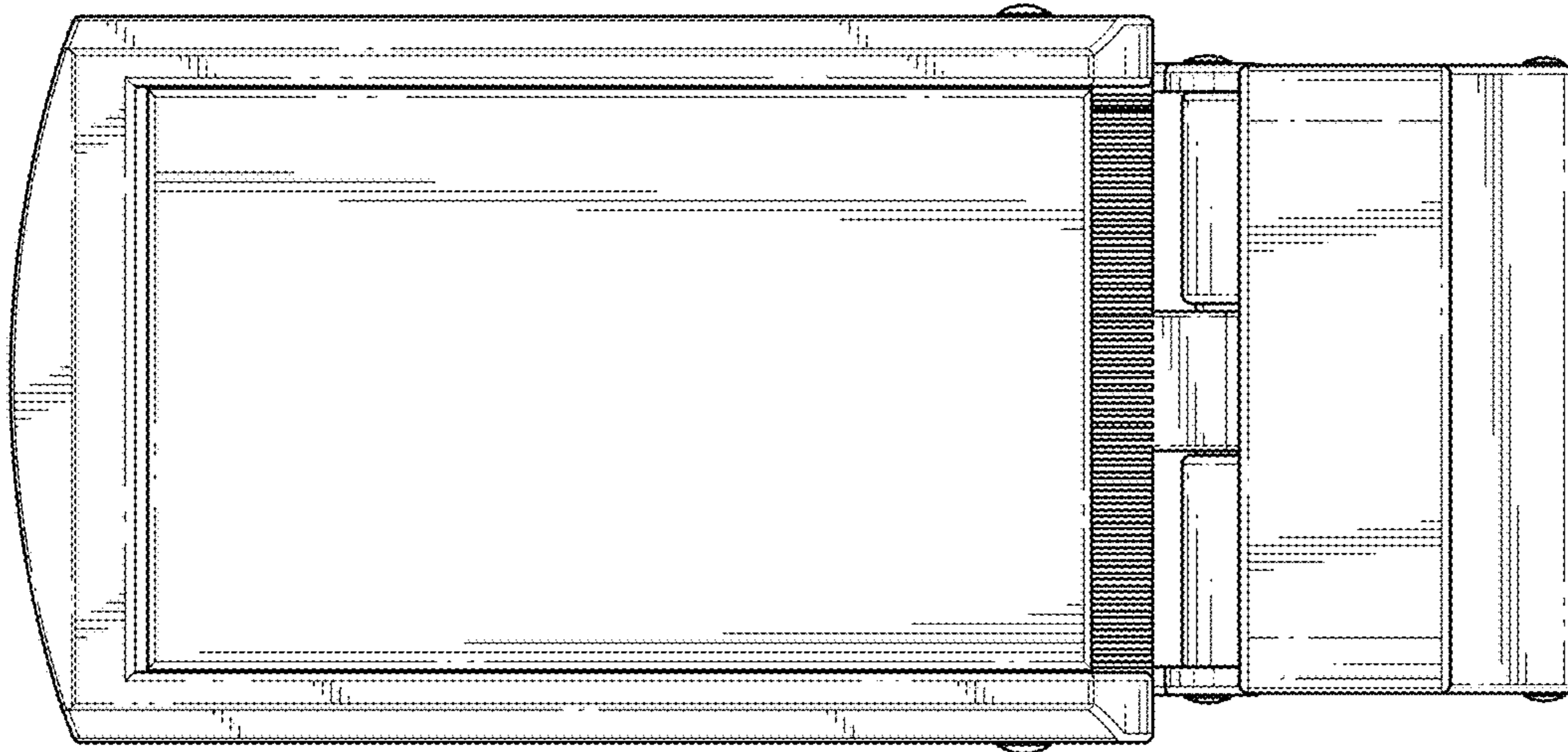


FIG. 3

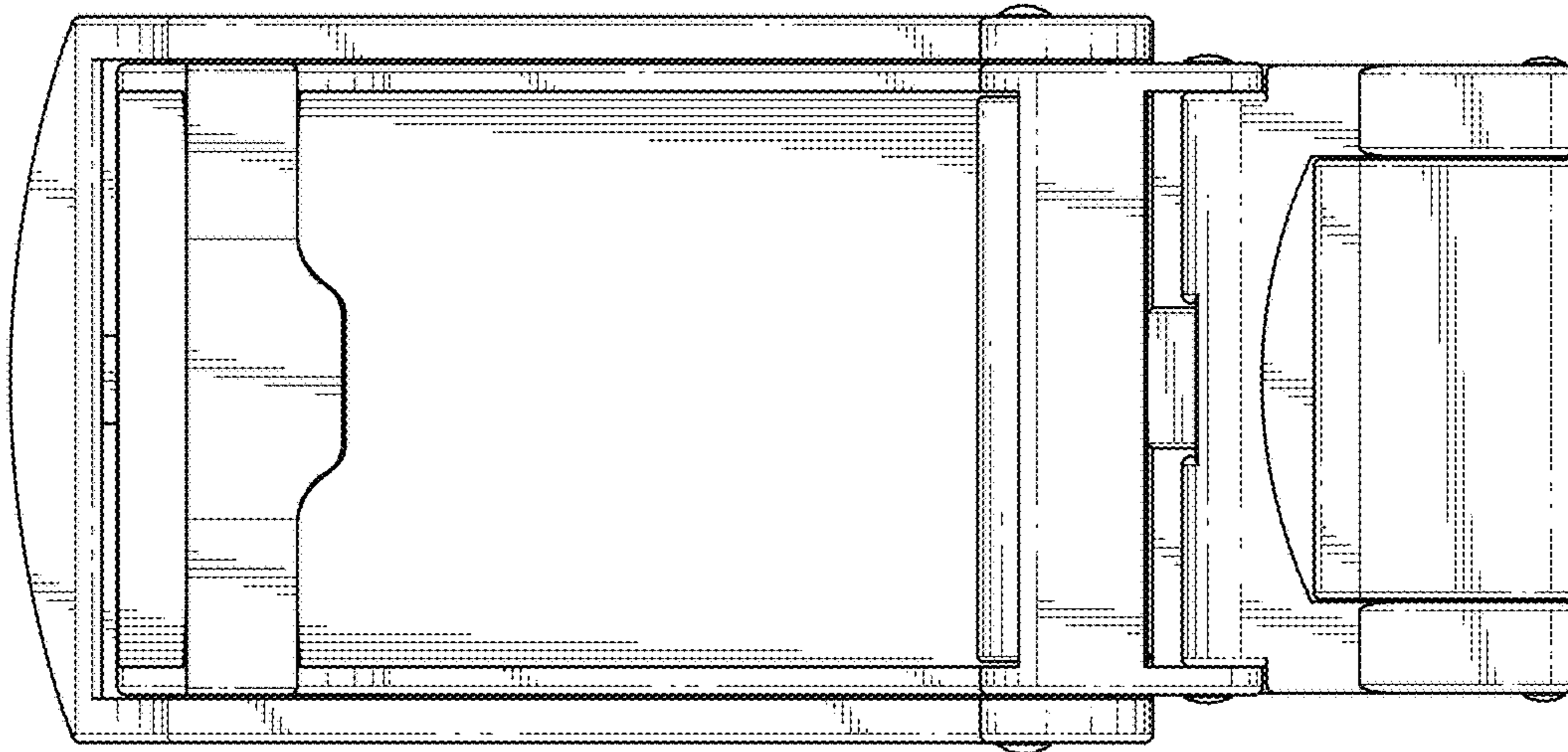


FIG. 4

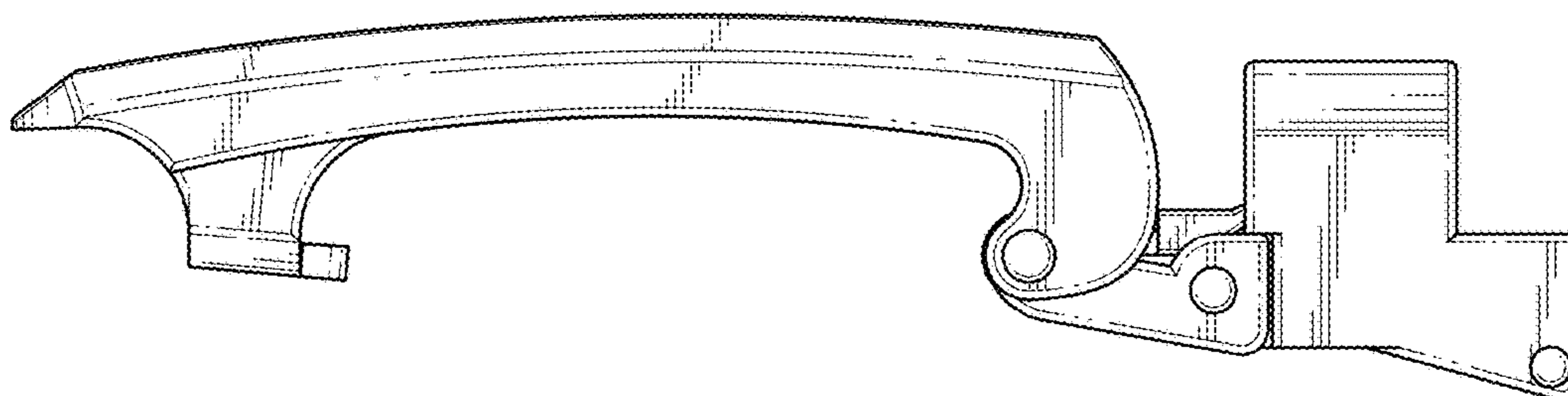


FIG. 5

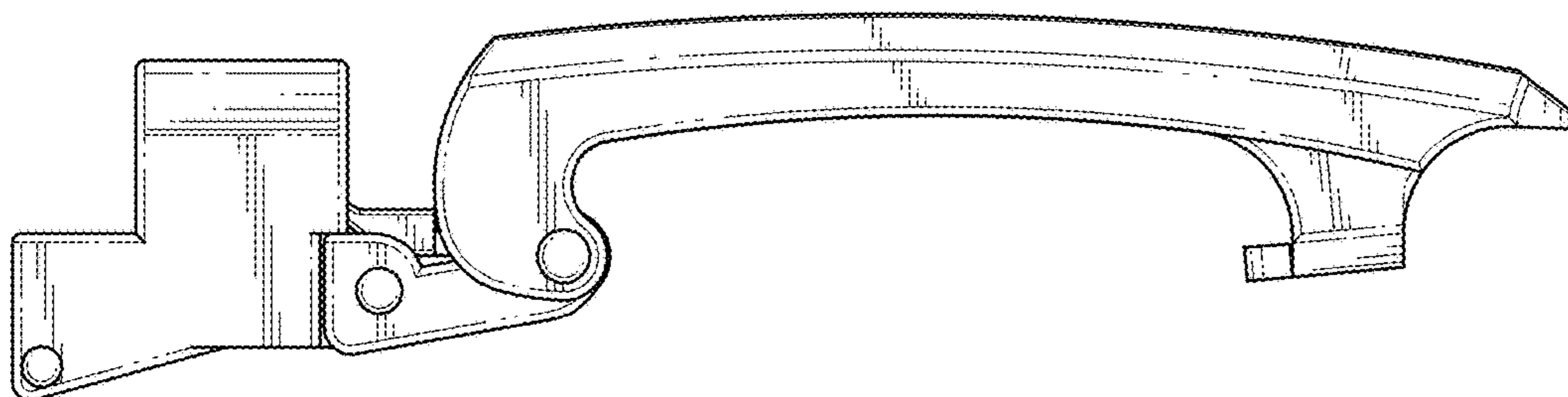
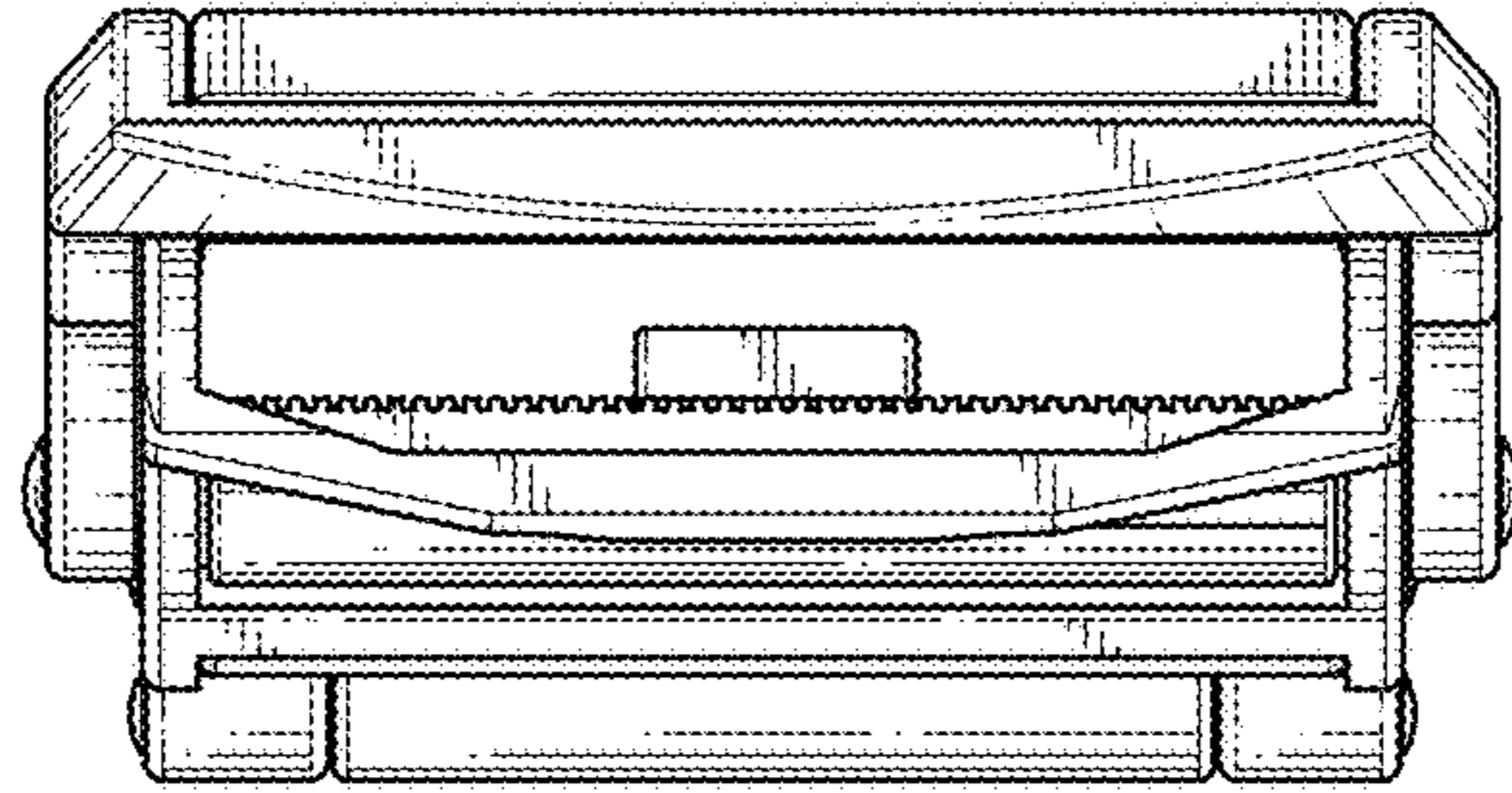
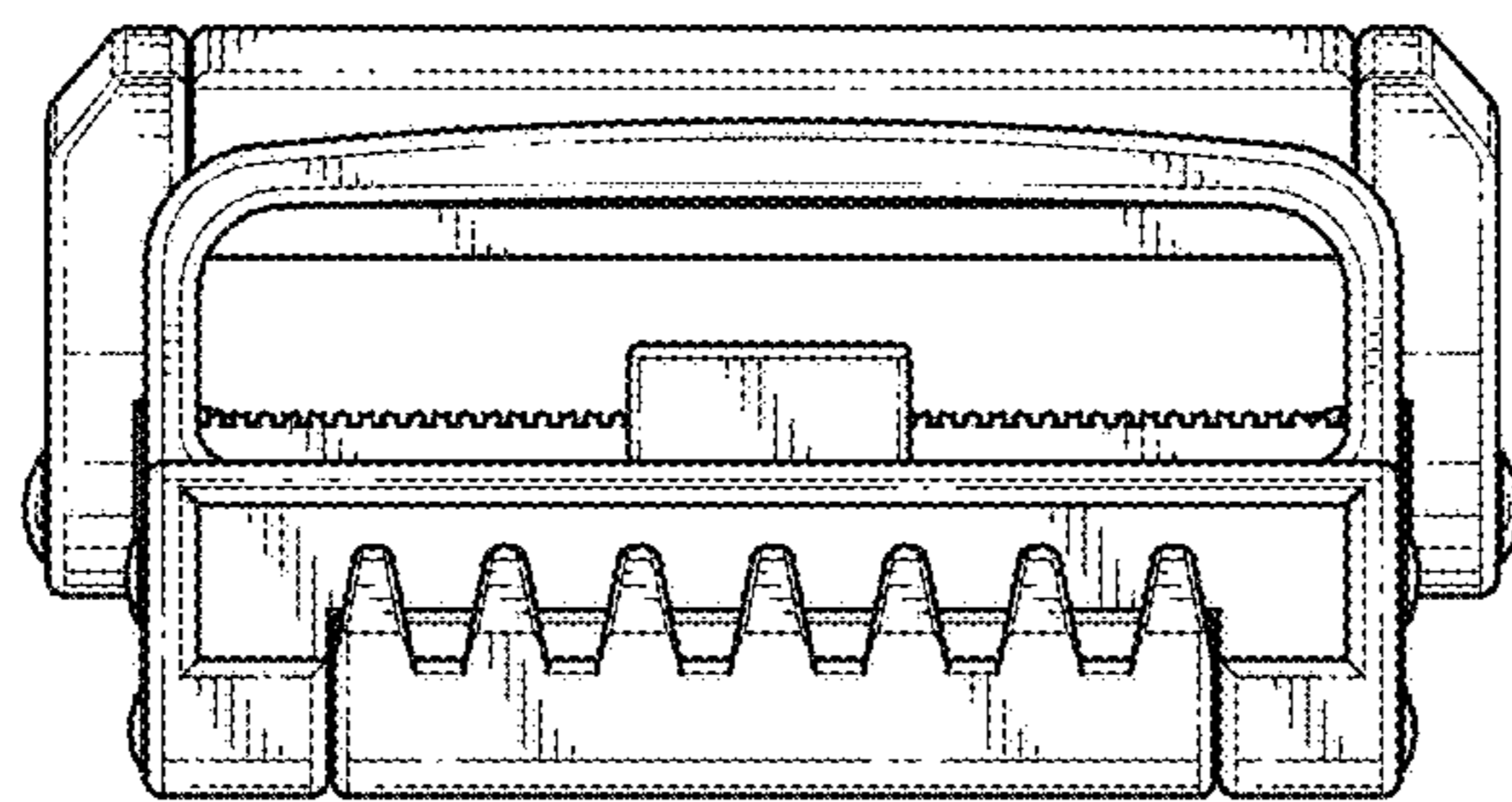


FIG. 6



*FIG. 7*



*FIG. 8*



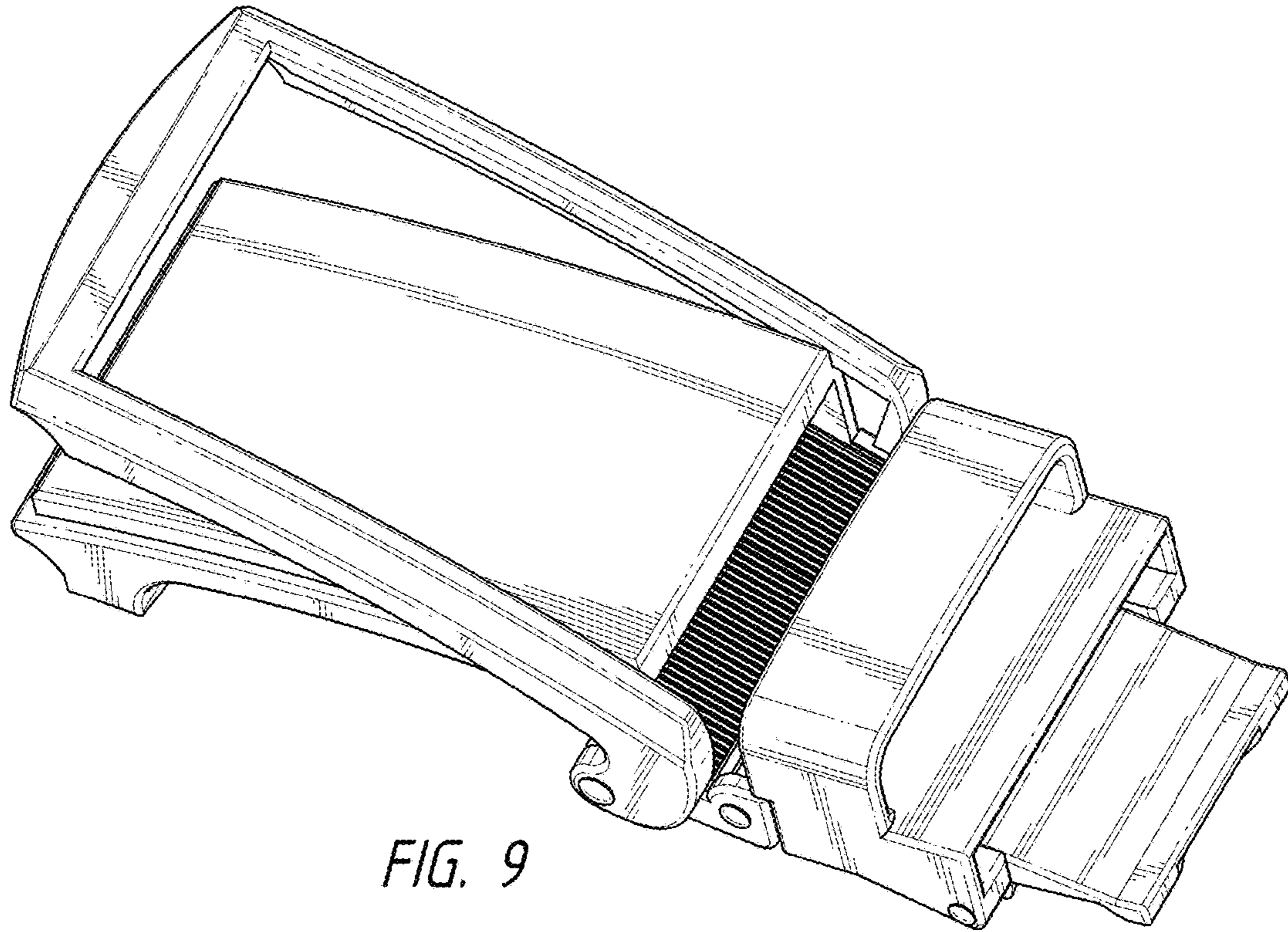


FIG. 9

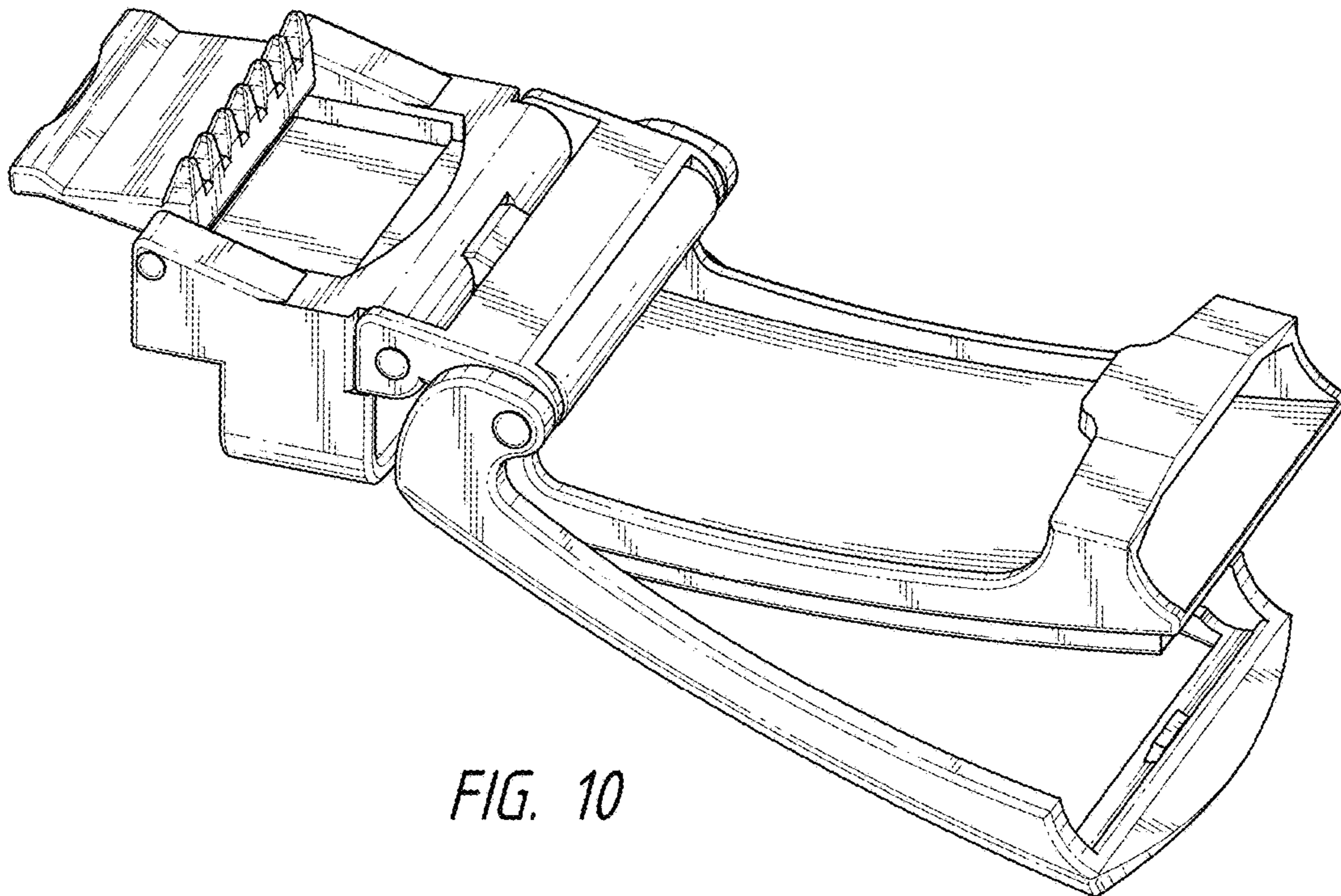


FIG. 10

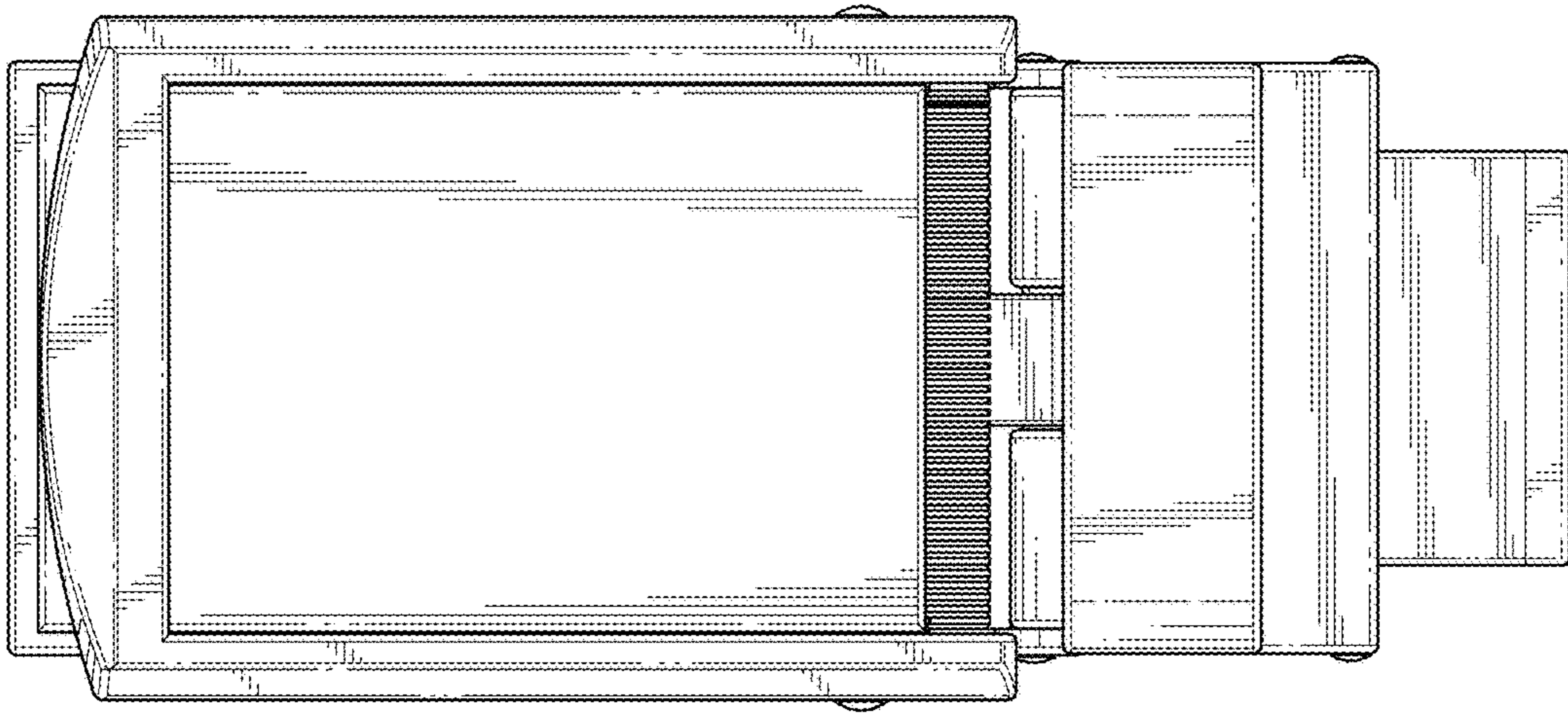


FIG. 11

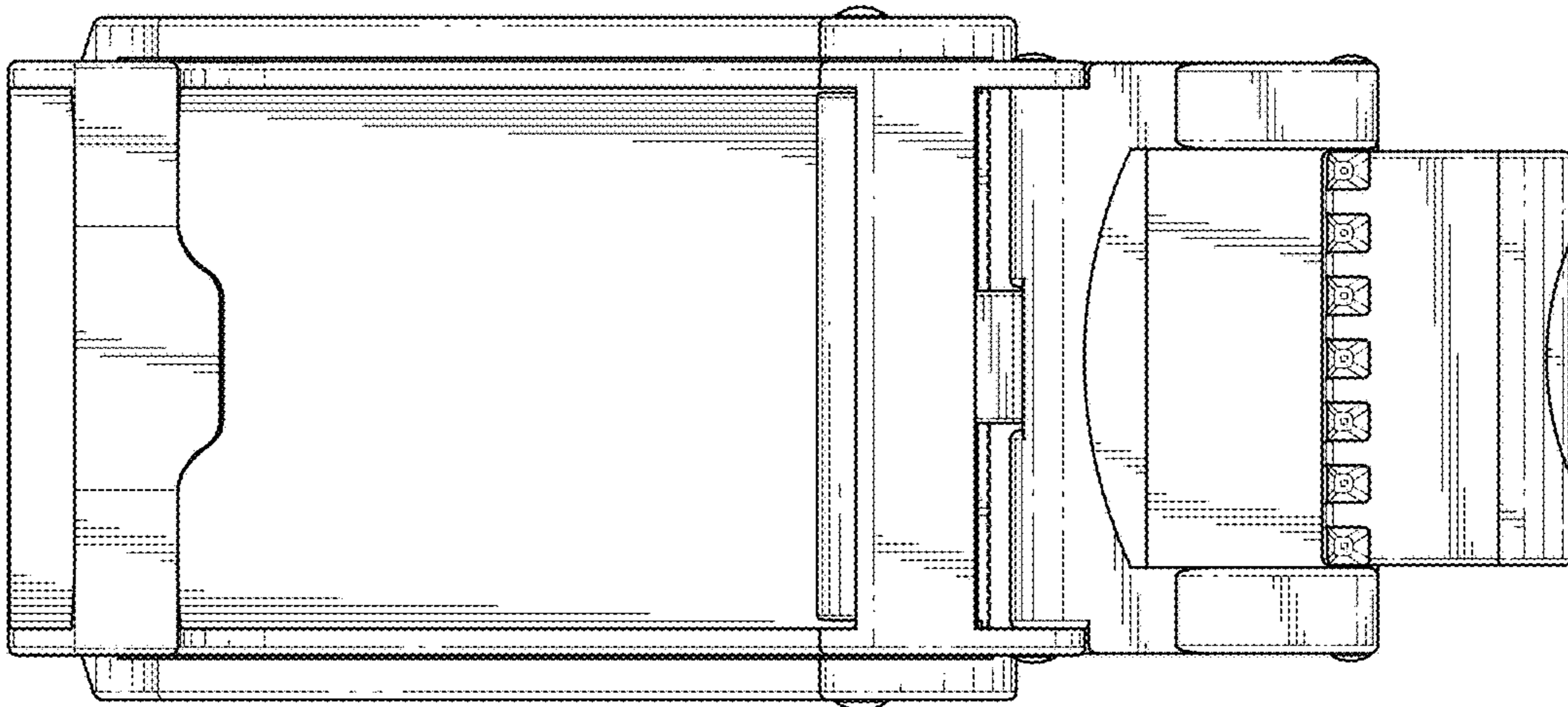


FIG. 12



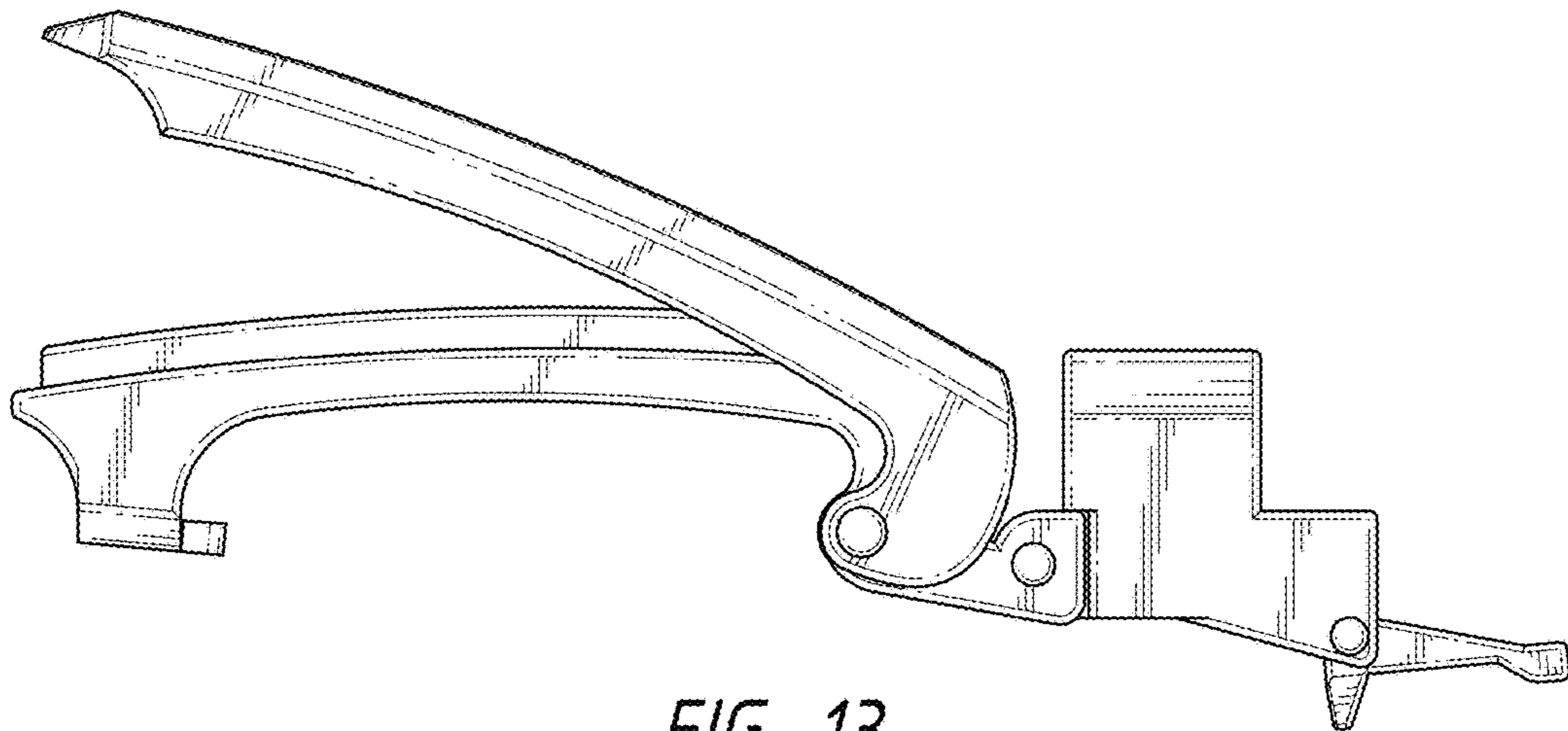


FIG. 13

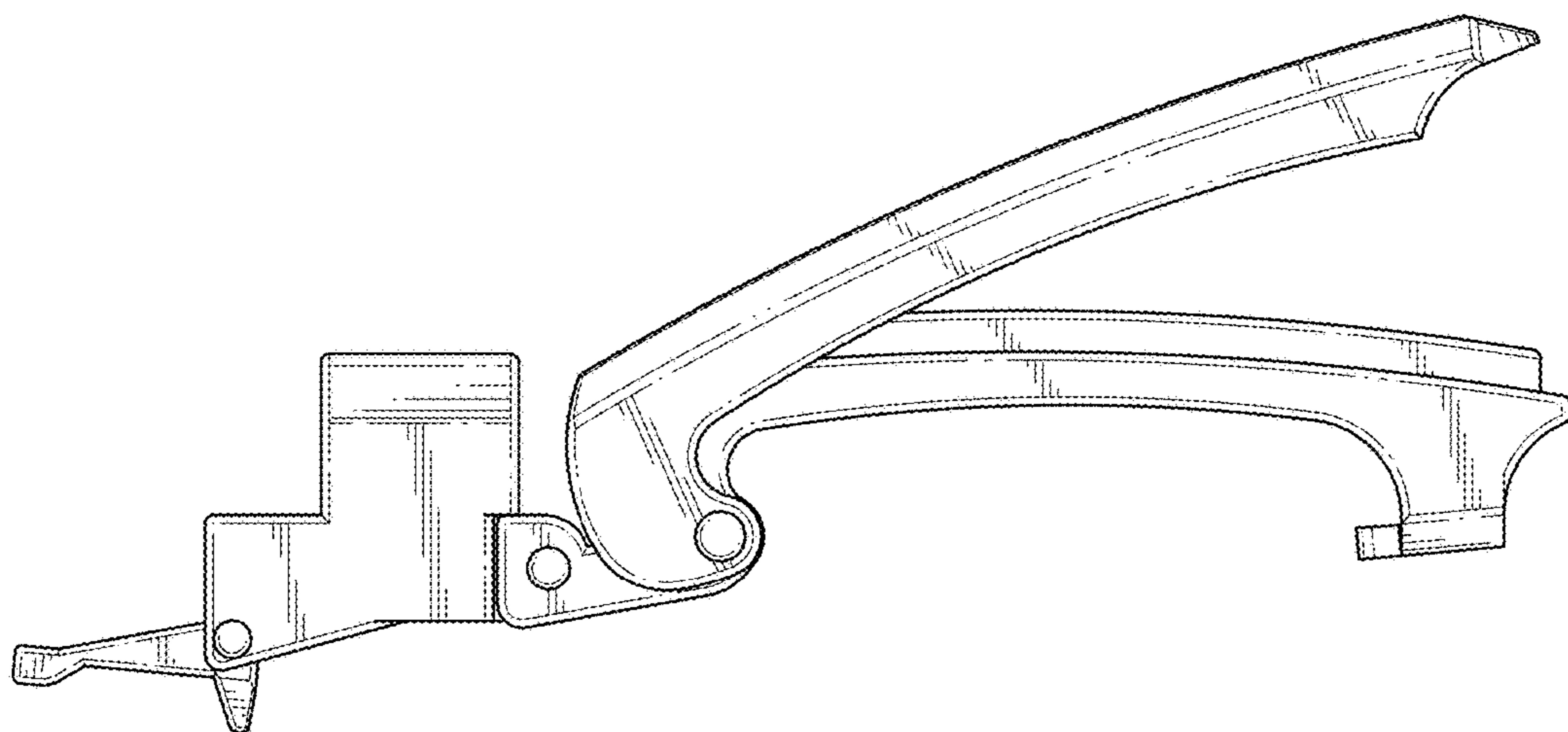


FIG. 14

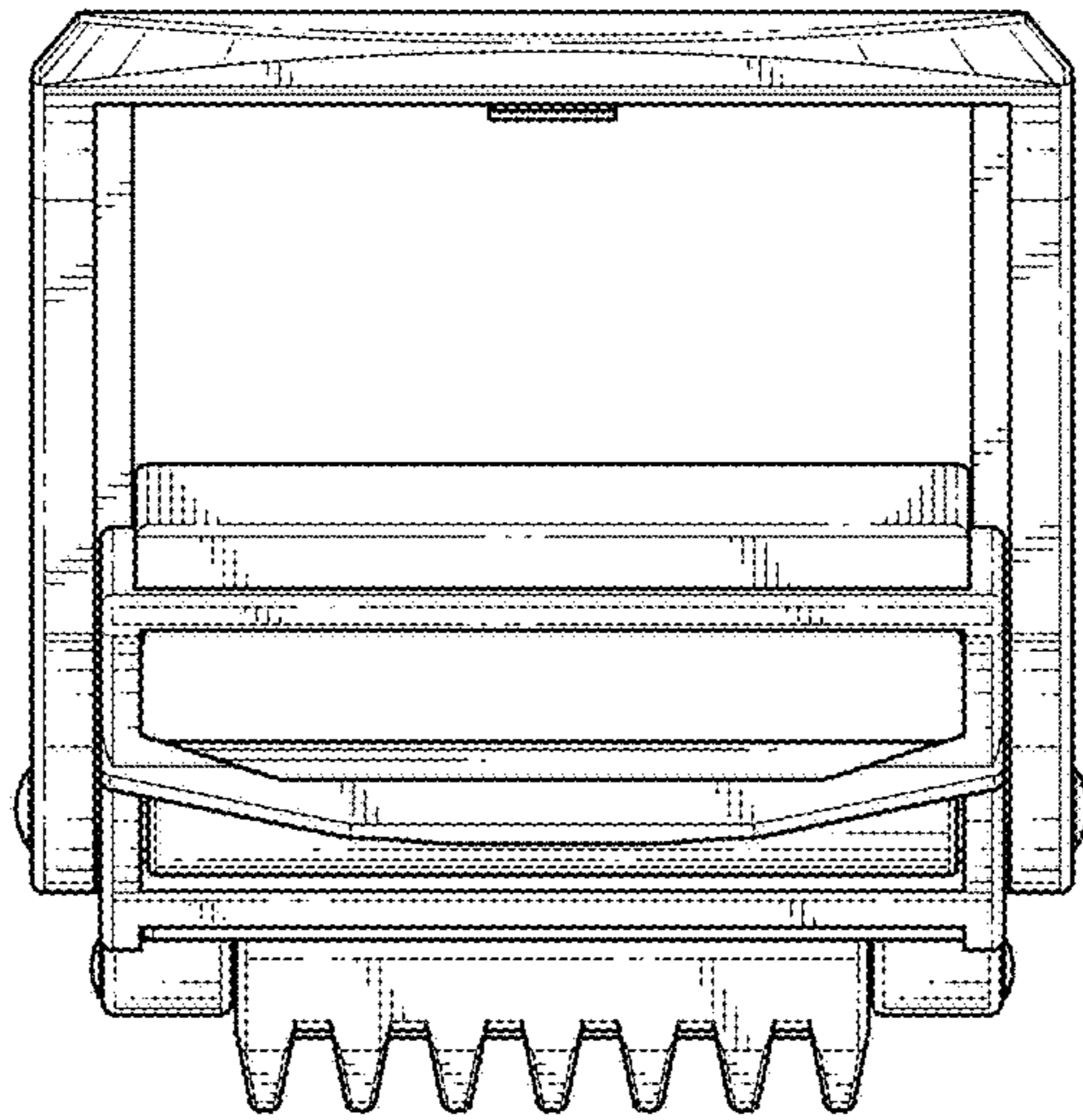


FIG. 15

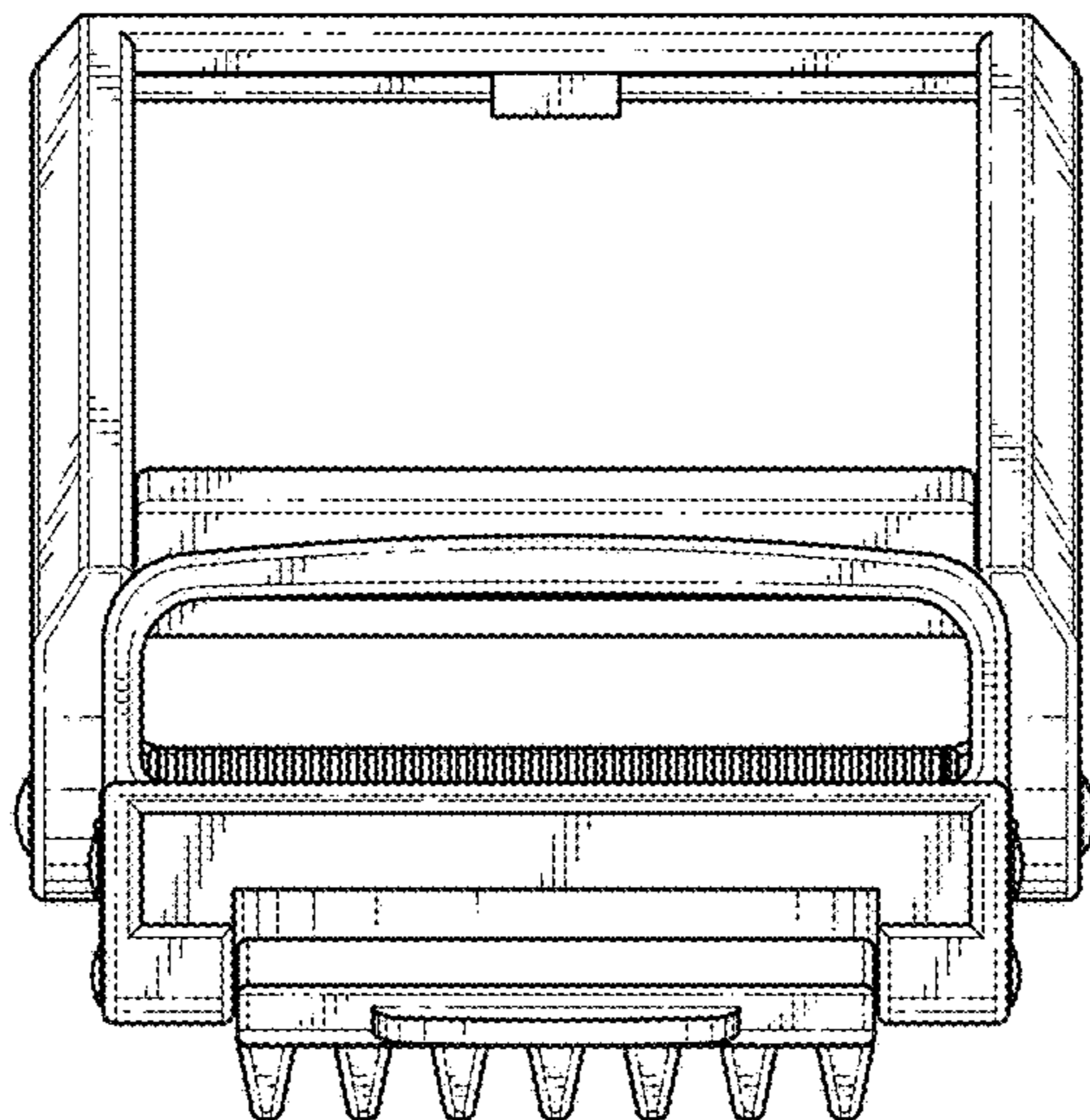


FIG. 16

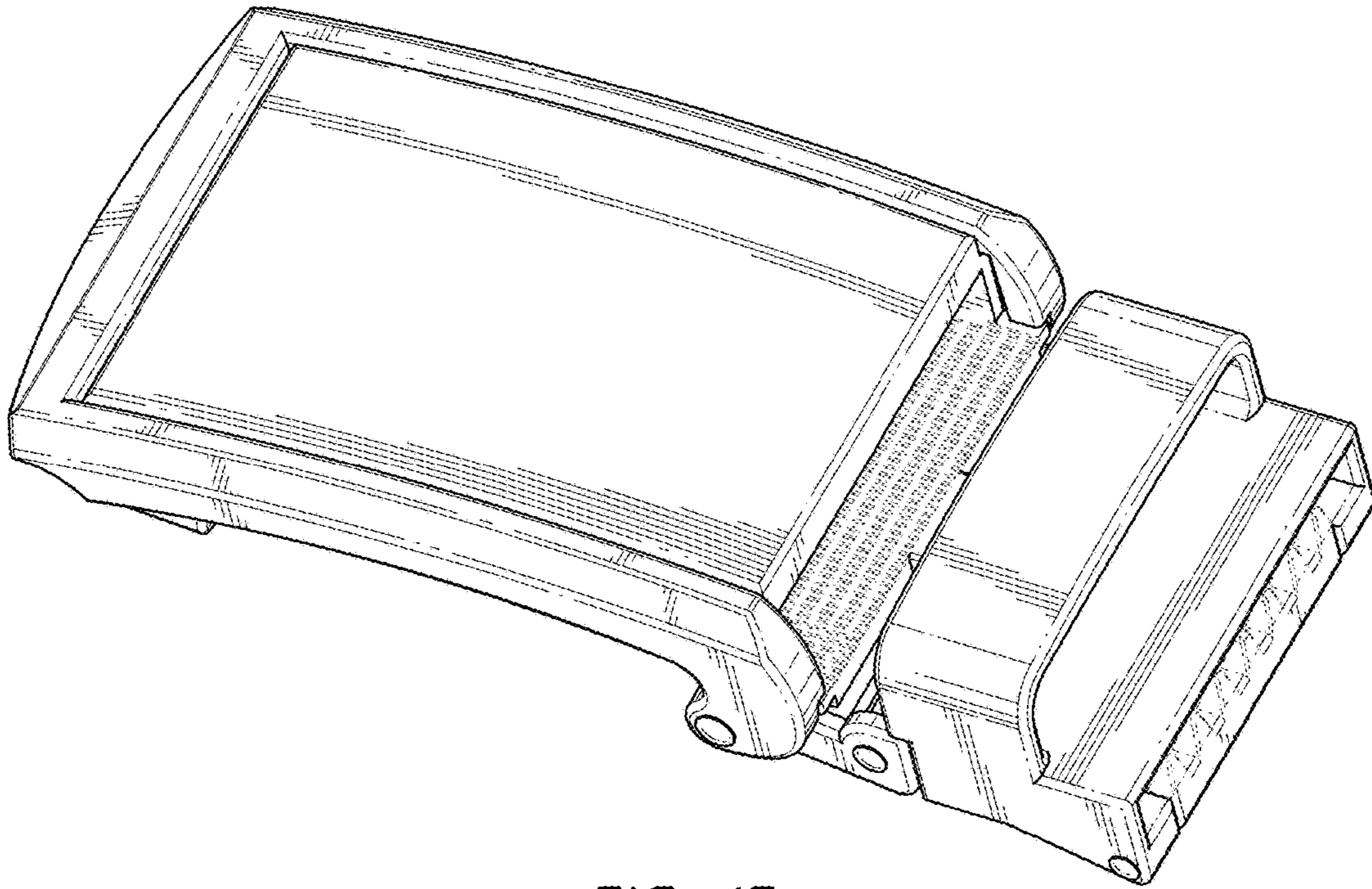


FIG. 17

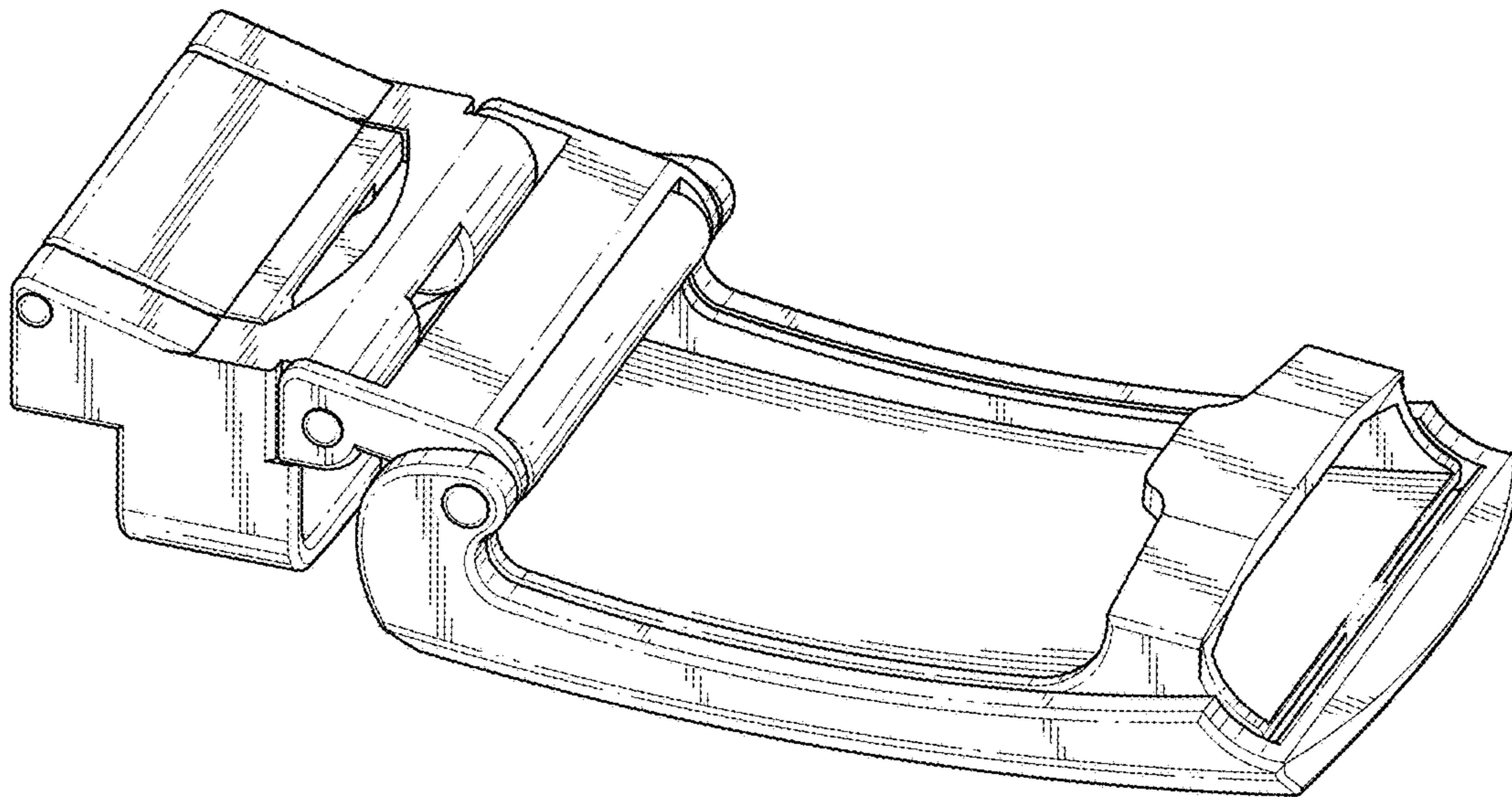


FIG. 18



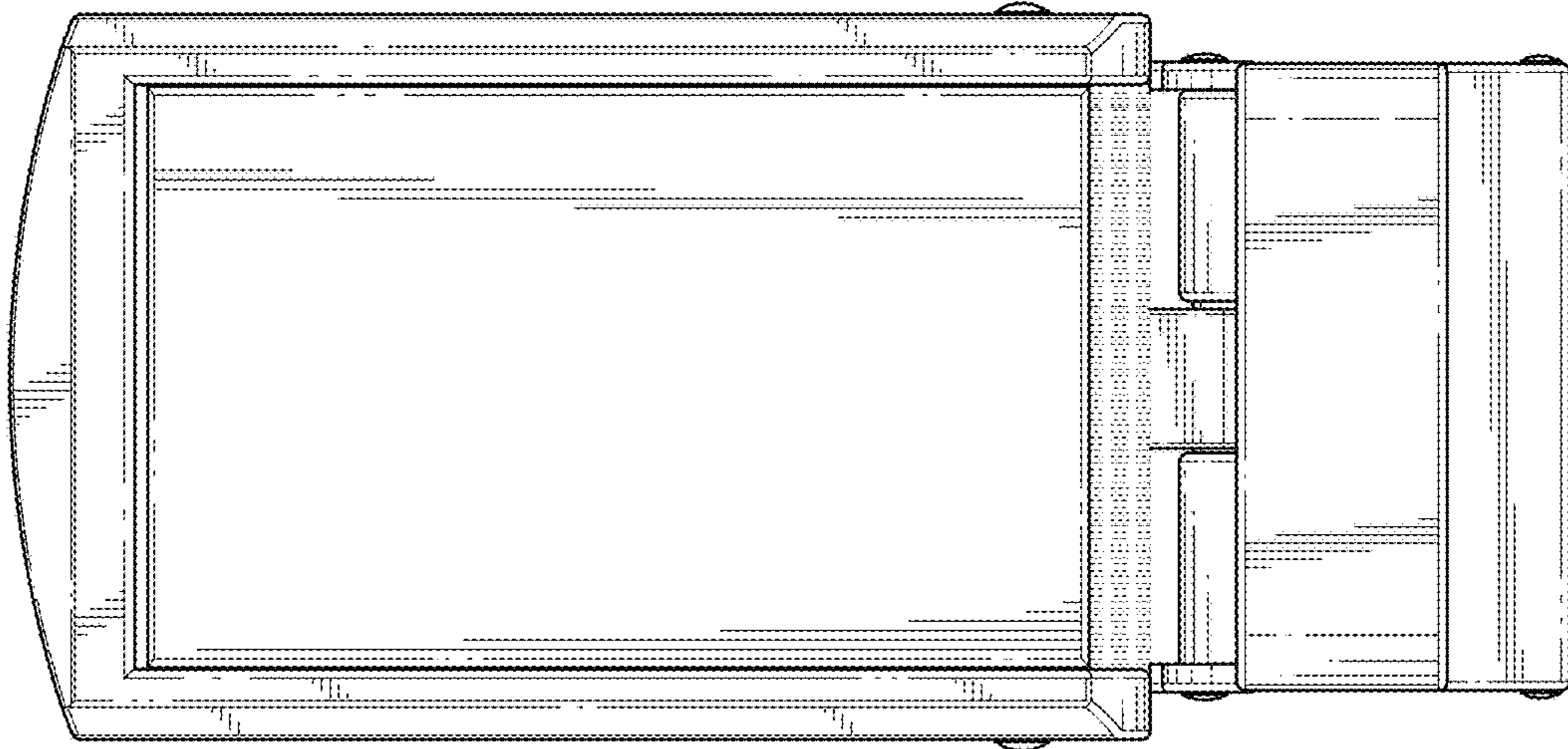


FIG. 19

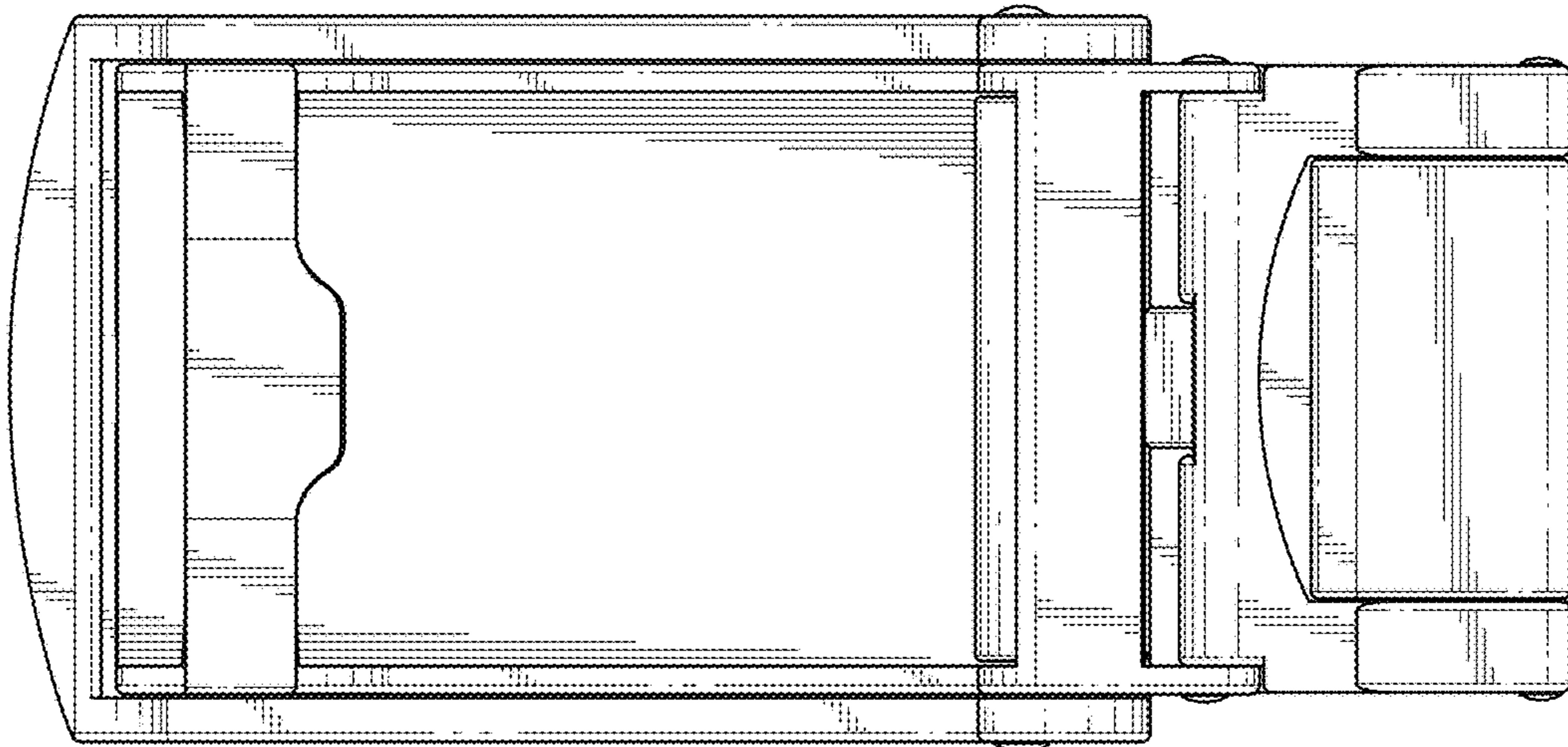


FIG. 20

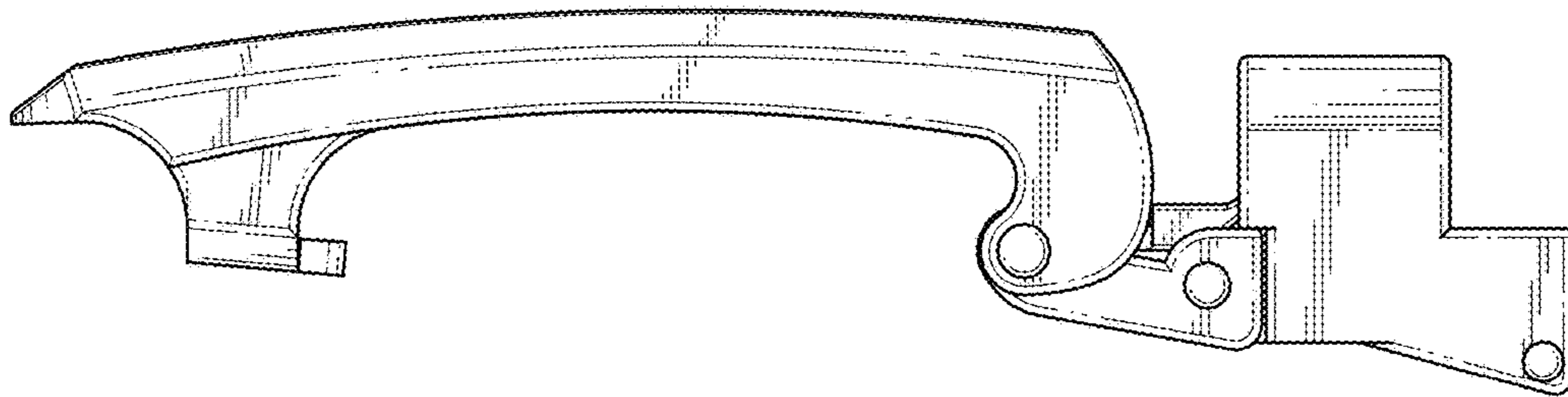


FIG. 21

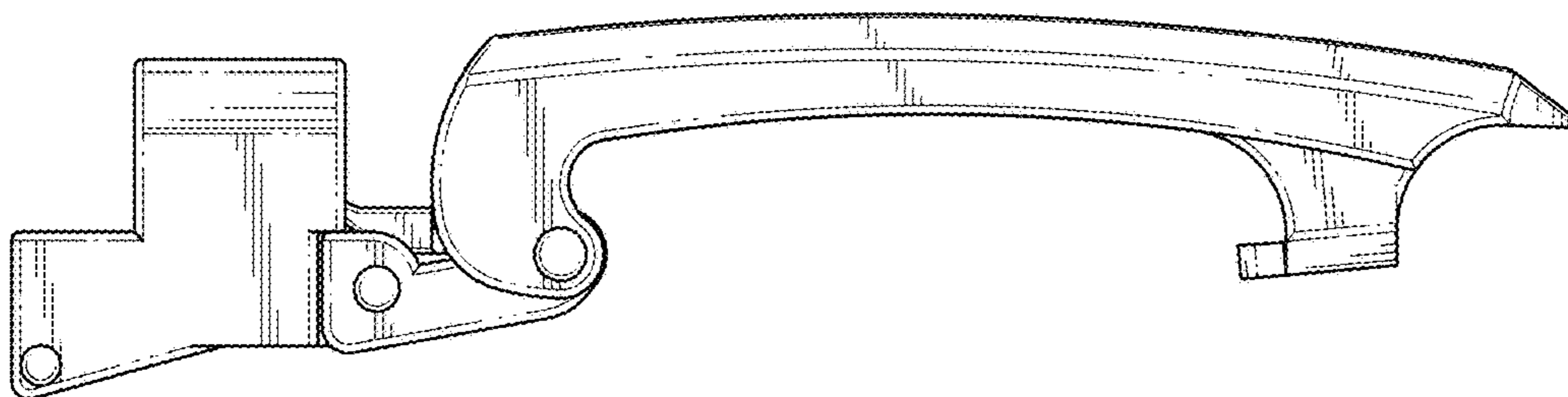
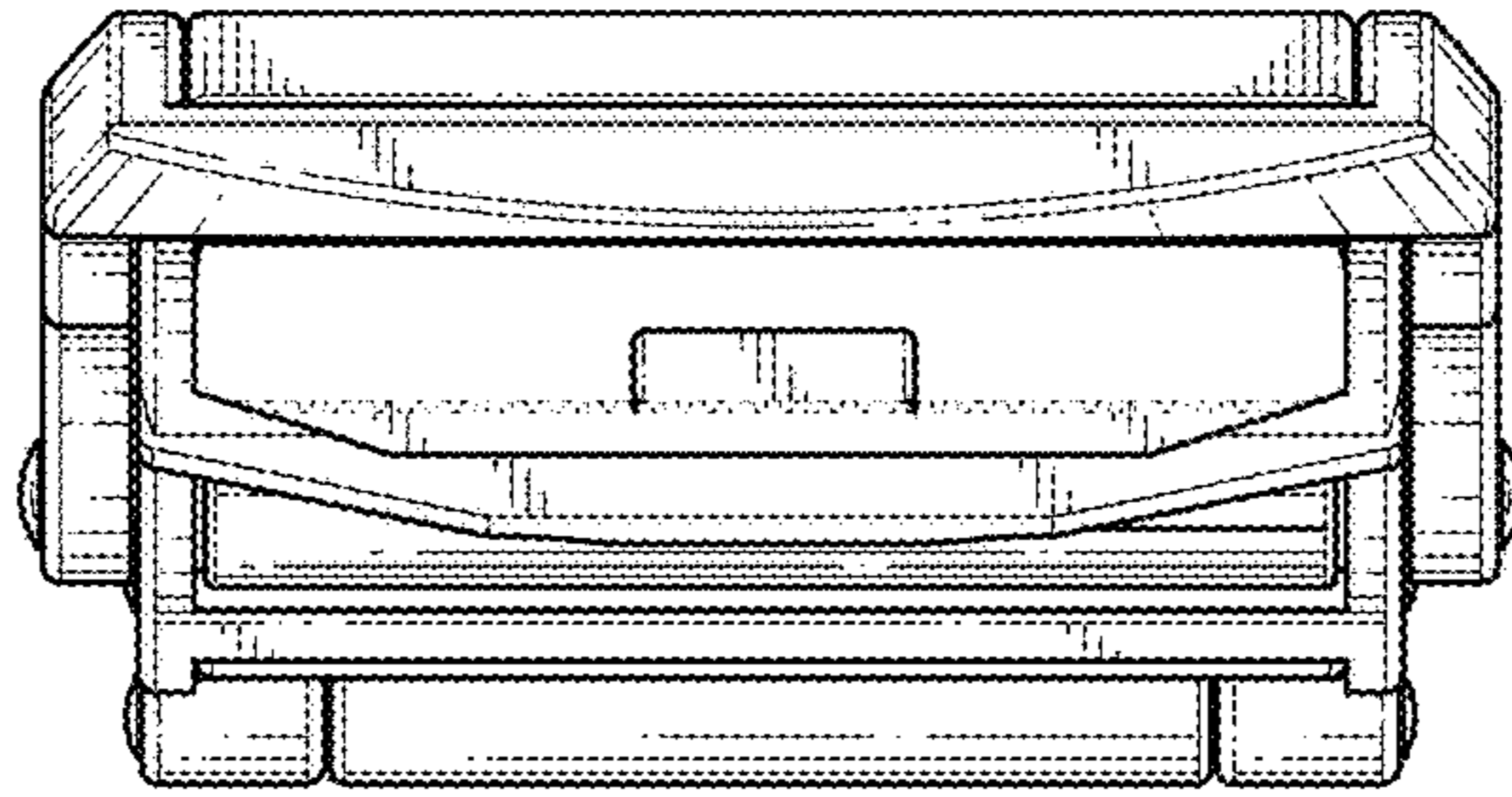
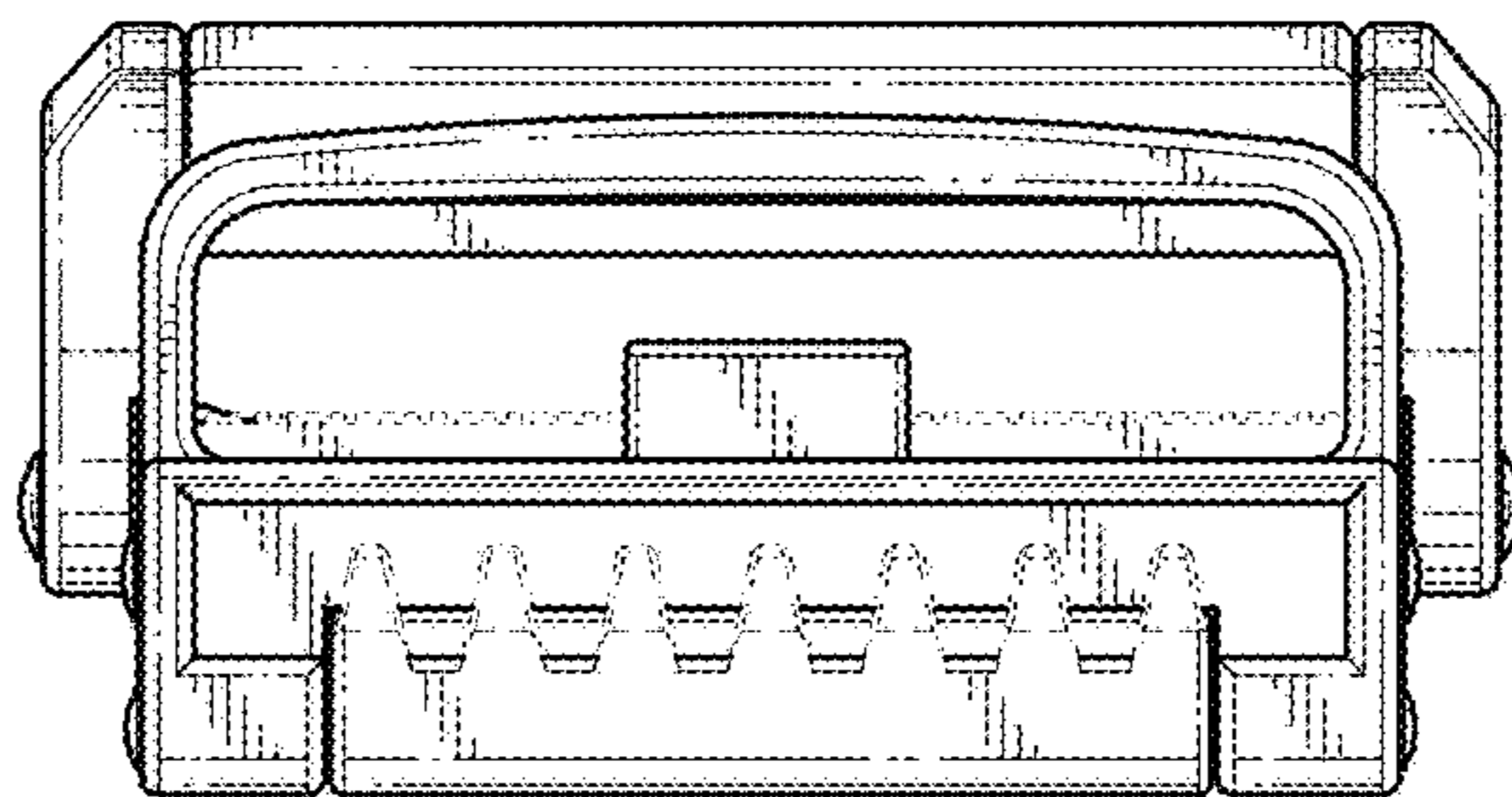


FIG. 22



*FIG. 23*



*FIG. 24*



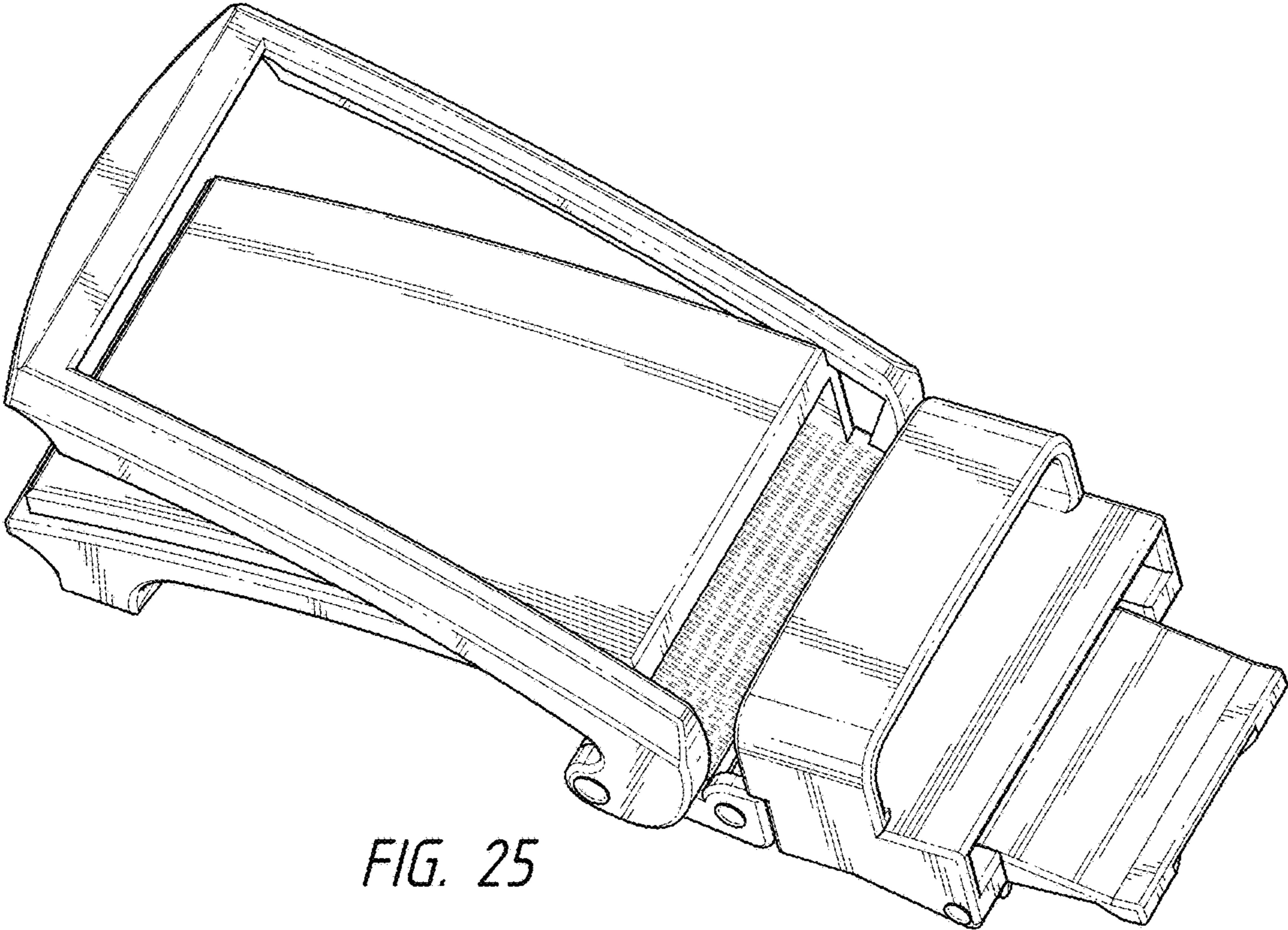


FIG. 25

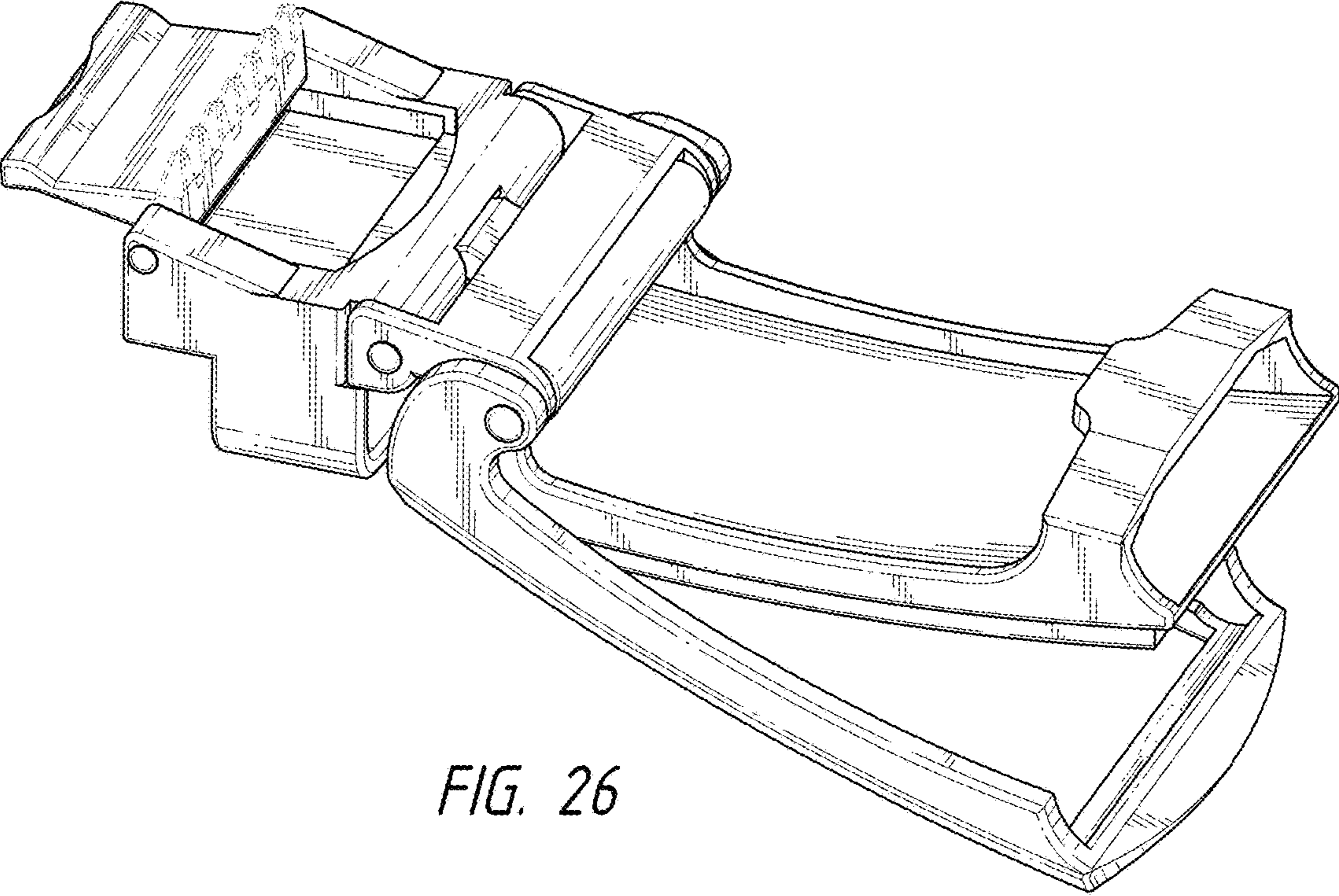


FIG. 26

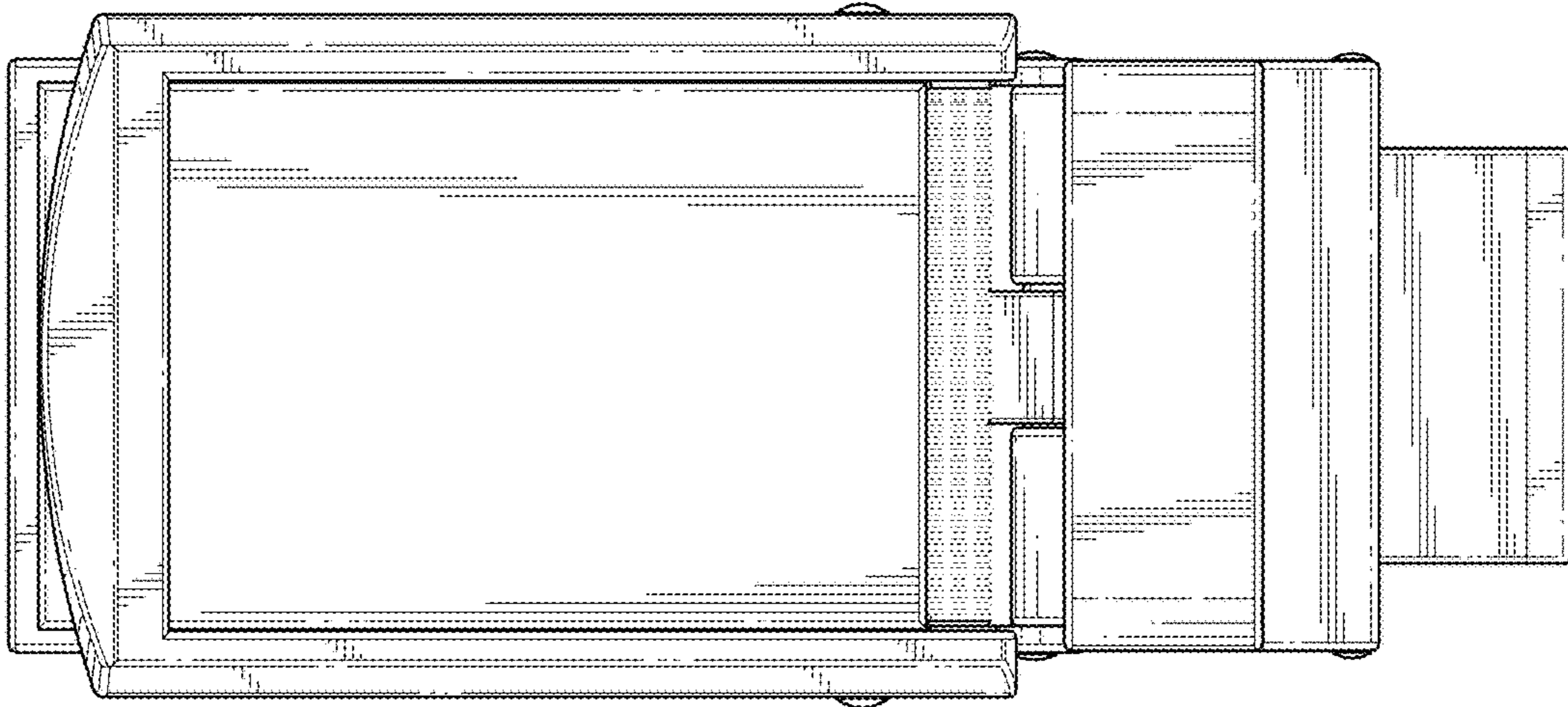


FIG. 27

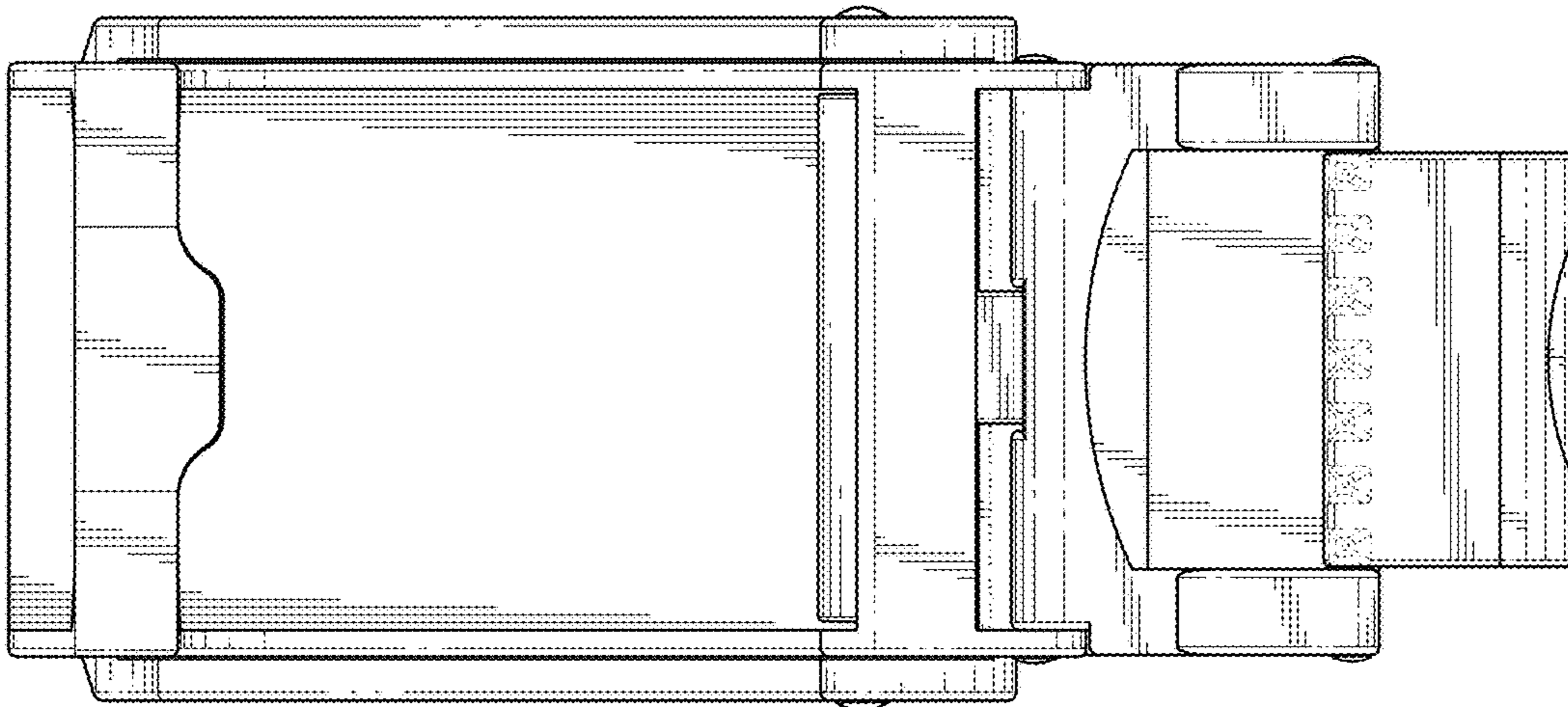


FIG. 28

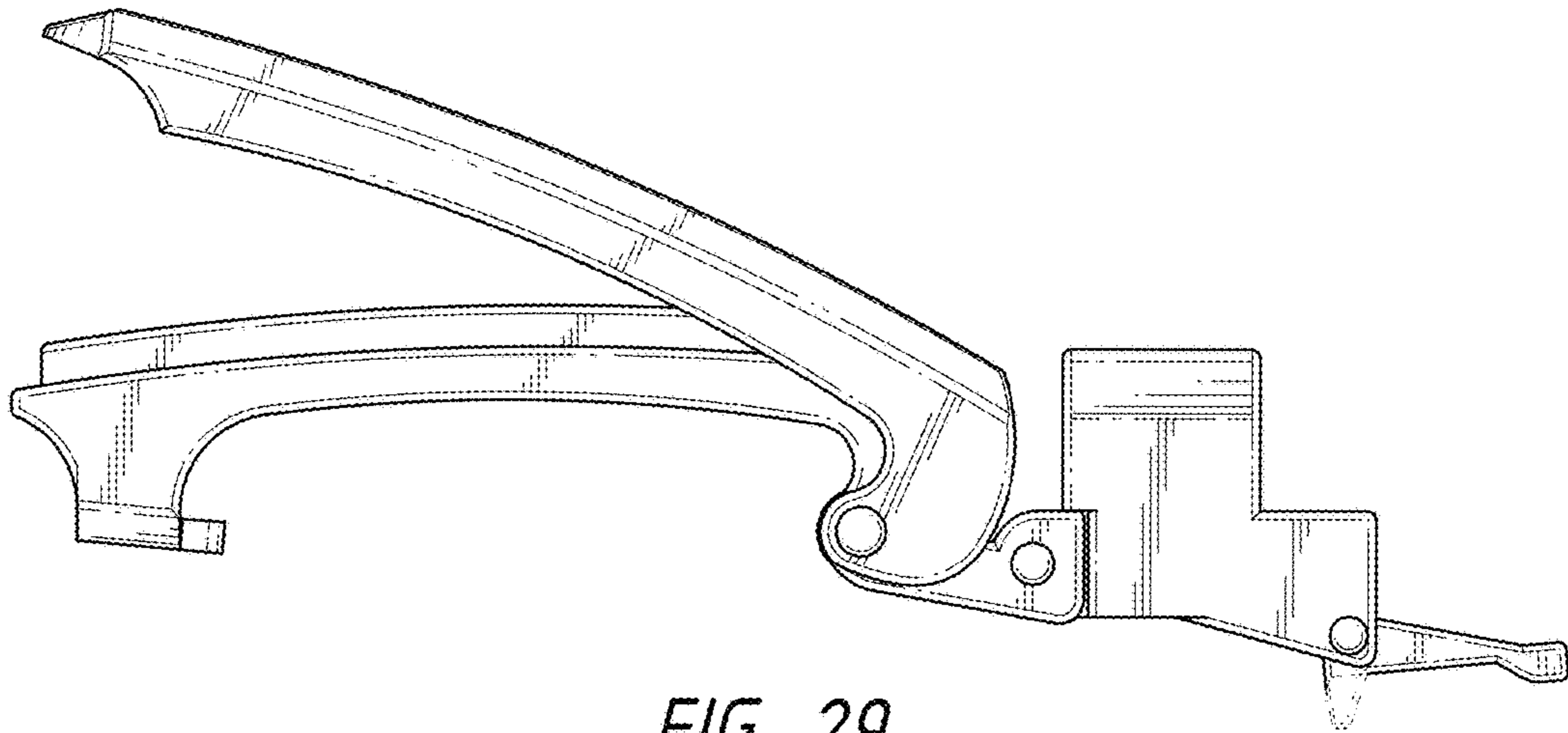


FIG. 29

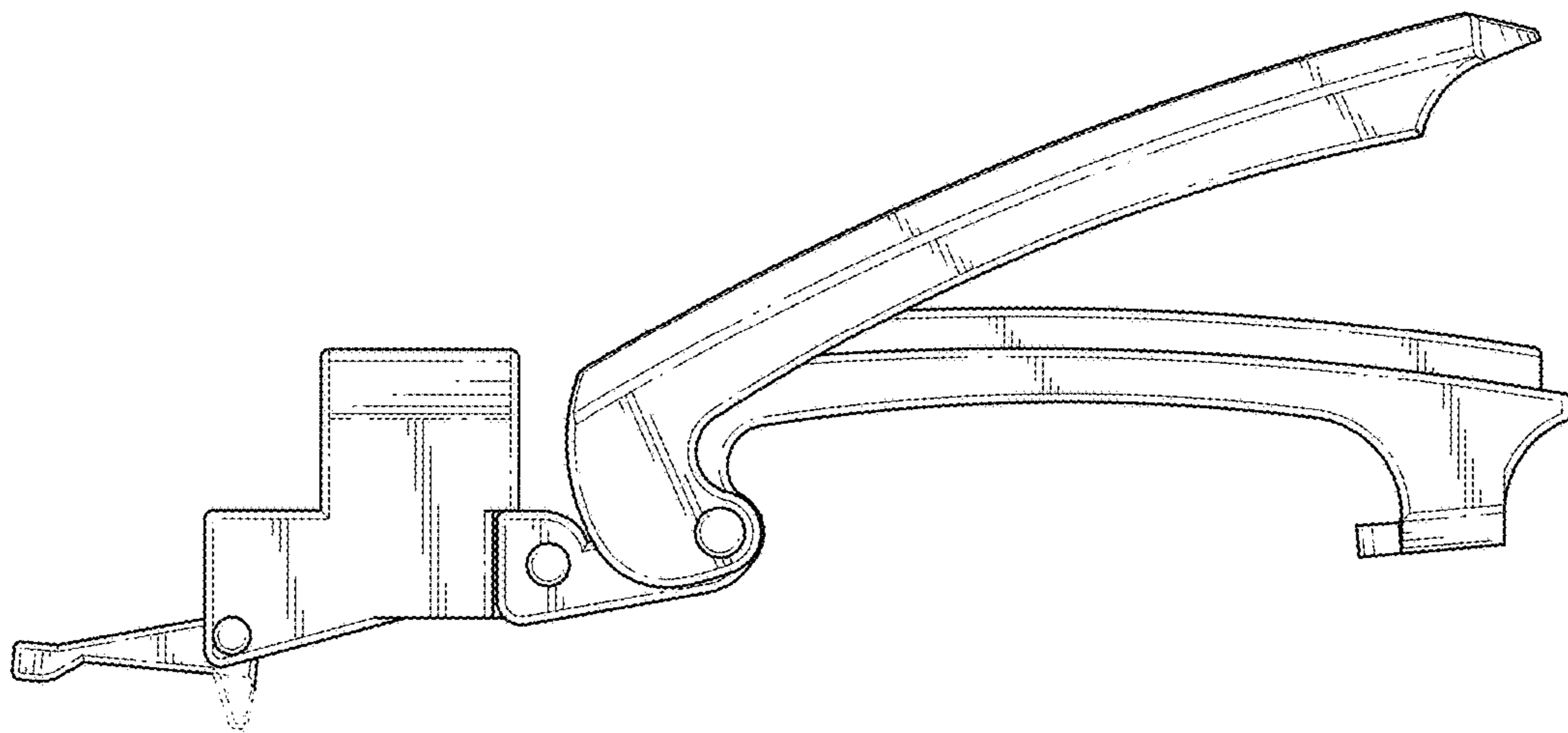
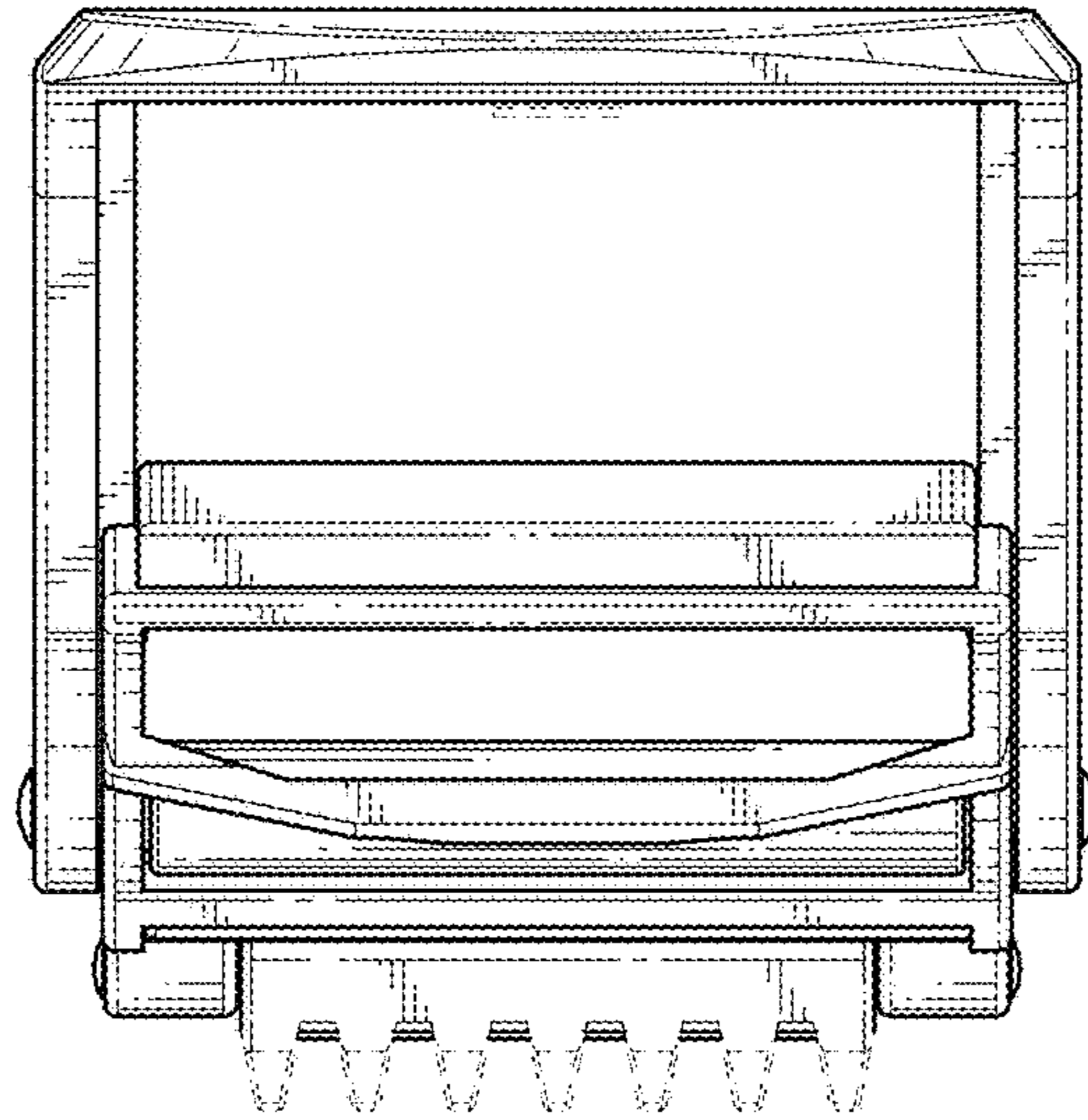
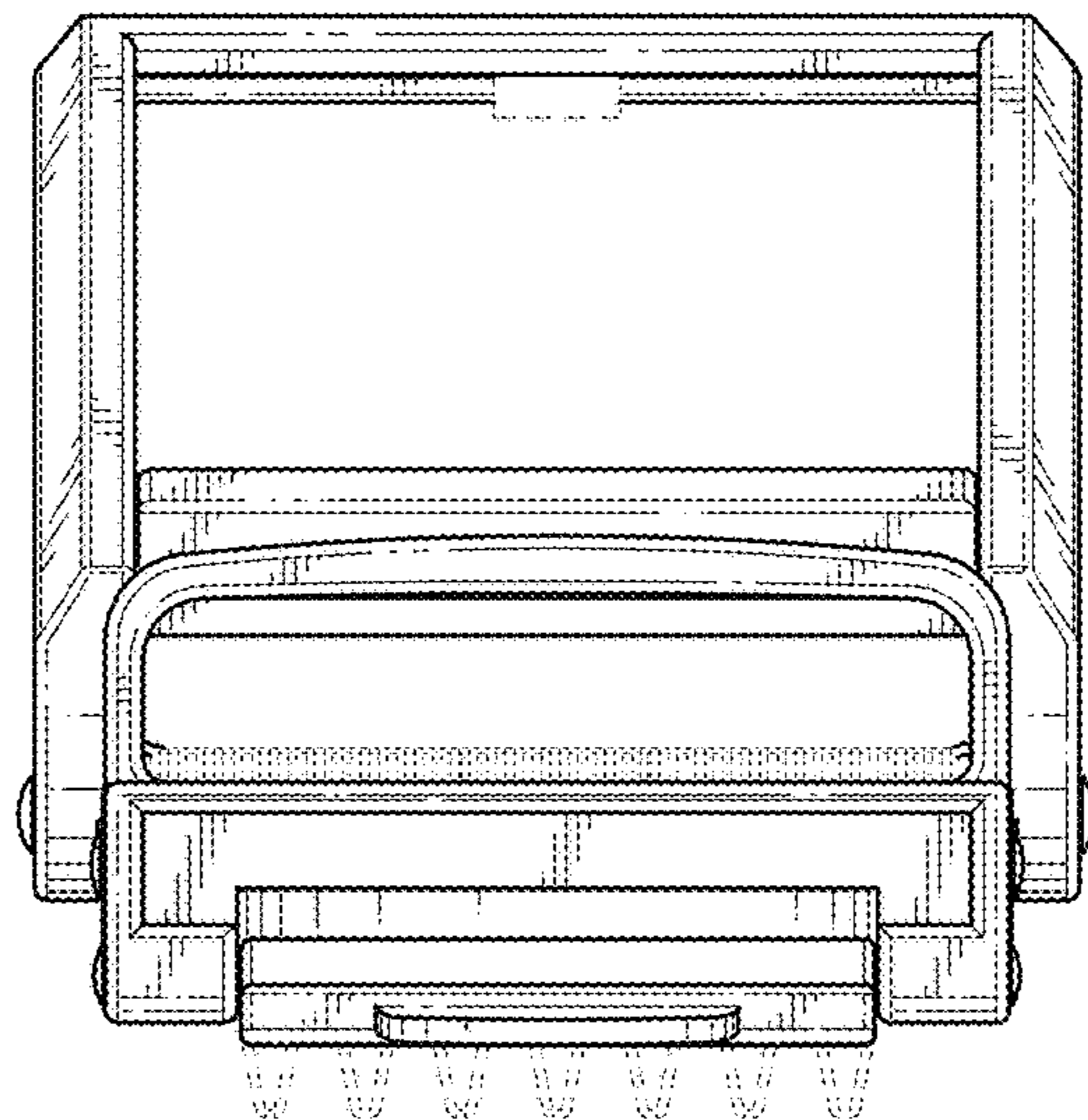


FIG. 30





*FIG. 31*



*FIG. 32*