



US00D860850S

(12) **United States Design Patent** (10) **Patent No.:** **US D860,850 S**
Solow (45) **Date of Patent:** **** Sep. 24, 2019**

(54) **SPLIT HORN**
(71) Applicant: **WOLO MFG. CORP.**, Deer Park, NY (US)
(72) Inventor: **Stanley Solow**, Plainview, NY (US)
(73) Assignee: **WOLO MFG. CORP.**, Deer Park, NY (US)
(**) Term: **15 Years**

(21) Appl. No.: **29/622,652**

(22) Filed: **Oct. 18, 2017**

(51) **LOC (12) Cl.** **10-06**

(52) **U.S. Cl.**
USPC **D10/120**

(58) **Field of Classification Search**
USPC D10/40-41, 104.2, 106.94, 114.1-114.9,
D10/116.1, 120-121; D14/344;
D24/167, 186
CPC . H04R 1/00; H04R 1/30; H04R 1/023; G10K
9/04; G10K 9/12; G10K 9/22
See application file for complete search history.

(56) **References Cited**

U.S. PATENT DOCUMENTS

2,871,972 A * 2/1959 Glassey H04R 1/2865
181/152
4,313,032 A * 1/1982 Thomas H04R 1/30
181/152
D415,055 S * 10/1999 Schmidt D10/120
D439,185 S * 3/2001 Asahina D10/116.1
D453,119 S * 1/2002 Tsuchikiri D10/116.1
D464,284 S * 10/2002 Kuwabara G10K 9/22
D10/116.1
D513,599 S * 1/2006 Coward D10/120
D593,888 S * 6/2009 Huftalen D10/116.1

D593,889 S * 6/2009 Huftalen D10/116.1
7,802,535 B2 * 9/2010 Solow G10K 9/04
116/142 FP
D704,587 S * 5/2014 Solow D10/120
2004/0246110 A1 * 12/2004 Di Giovanni G10K 9/04
340/388.1
2009/0090292 A1 * 4/2009 Solow G10K 9/04
116/142 FP
2012/0158168 A1 * 6/2012 Khakhalev B23K 20/10
700/108
2013/0121521 A1 * 5/2013 Solow G10K 9/04
381/340
2014/0093112 A1 * 4/2014 Solow H04R 1/00
381/340

* cited by examiner

Primary Examiner — Sandra S Snapp
Assistant Examiner — Katherine Glennon
(74) *Attorney, Agent, or Firm* — Andrew F. Young, Esq.;
Lackenbach Siegel, LLP

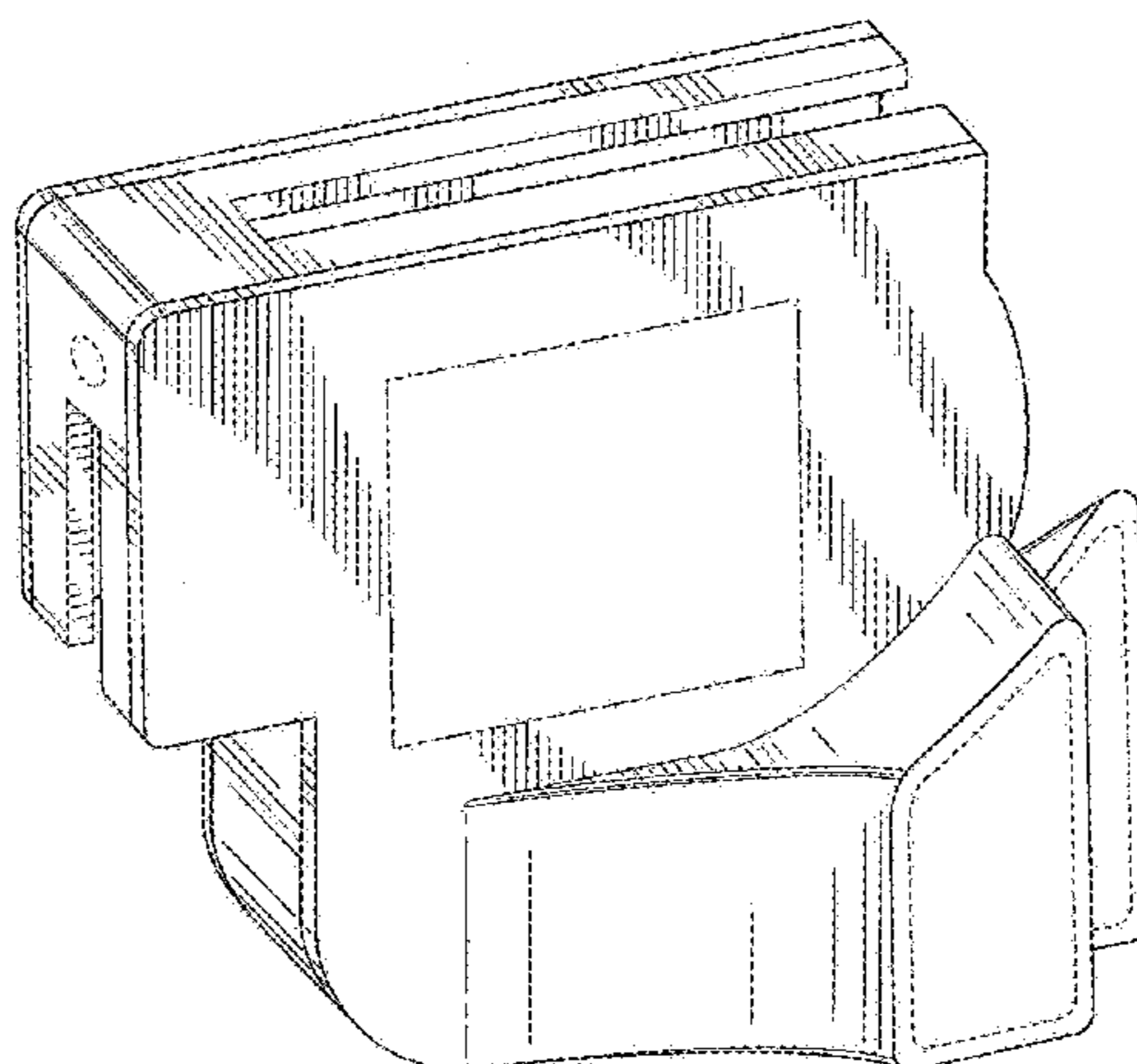
(57) **CLAIM**

The ornamental design for a split horn, as shown and described.

DESCRIPTION

FIG. 1 is a front top perspective view of a split horn showing my new design.
FIG. 2 is a bottom front perspective view thereof.
FIG. 3 is a front elevation view thereof.
FIG. 4 is a rear elevation view thereof.
FIG. 5 is a left side elevation view thereof.
FIG. 6 is a right side elevation view thereof.
FIG. 7 is a top plan view thereof; and,
FIG. 8 is a bottom plan view thereof.
The broken lines illustrate portions of the article that form no part of the claimed design.

1 Claim, 5 Drawing Sheets



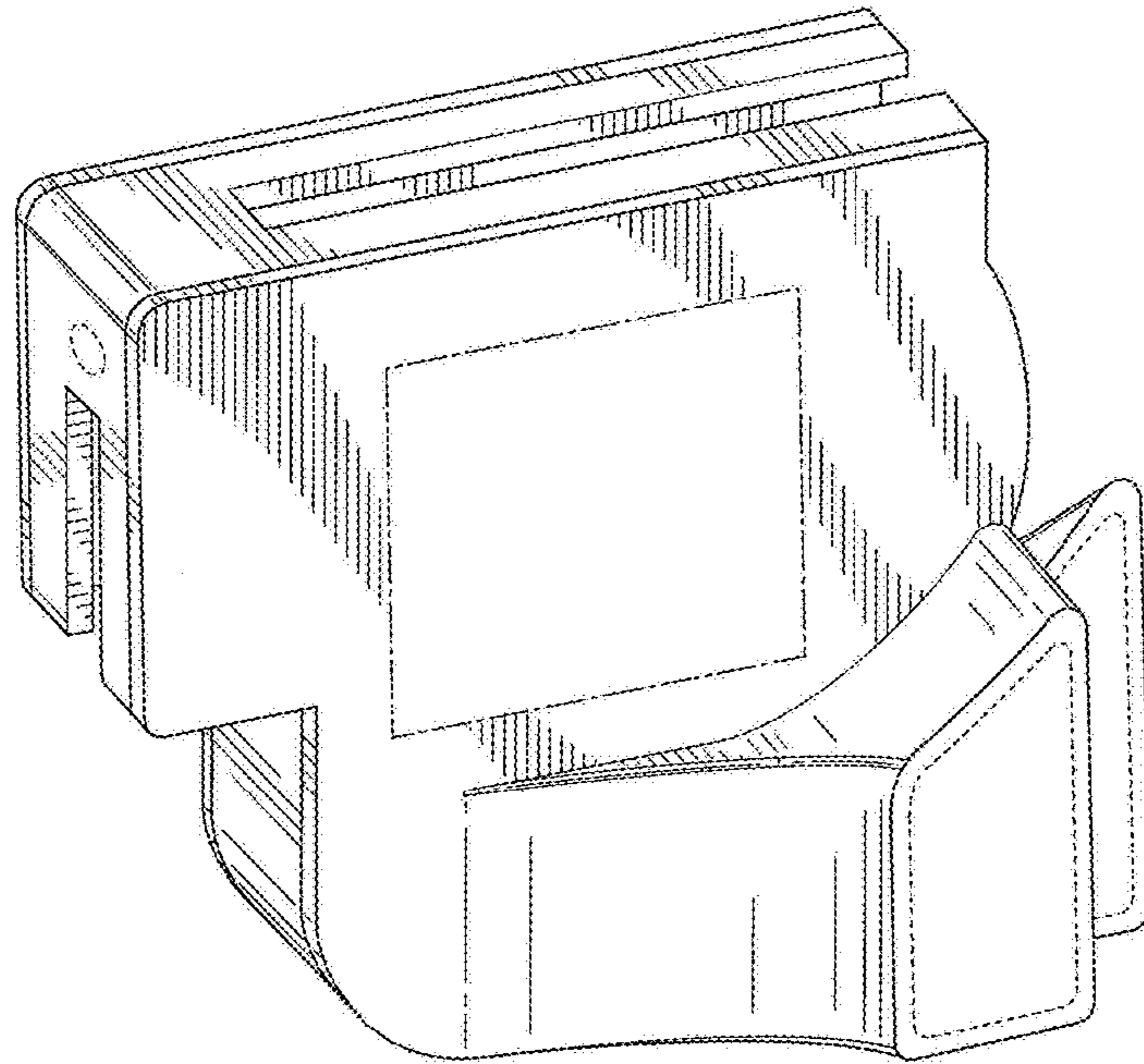


FIG. 1

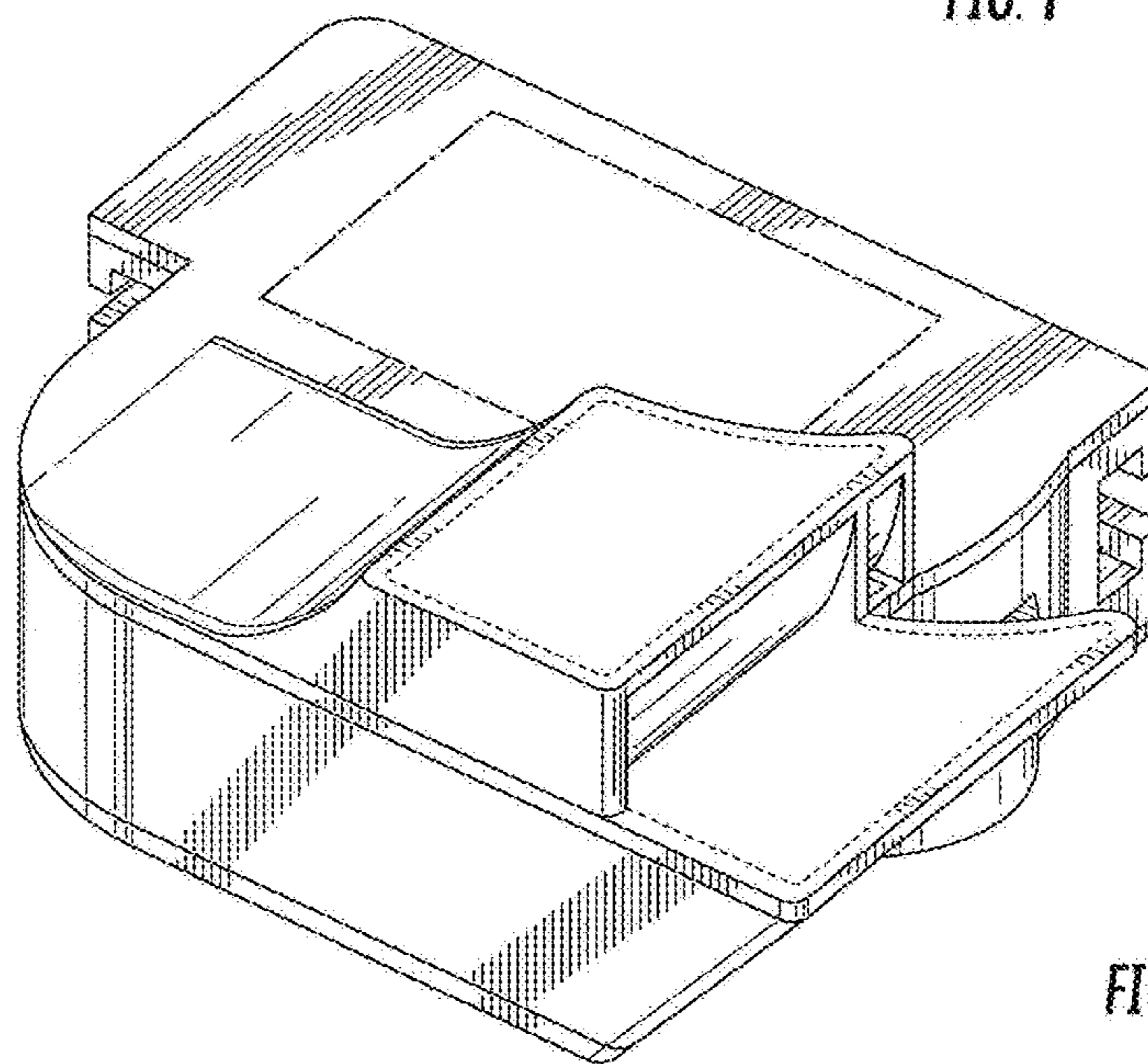


FIG. 2

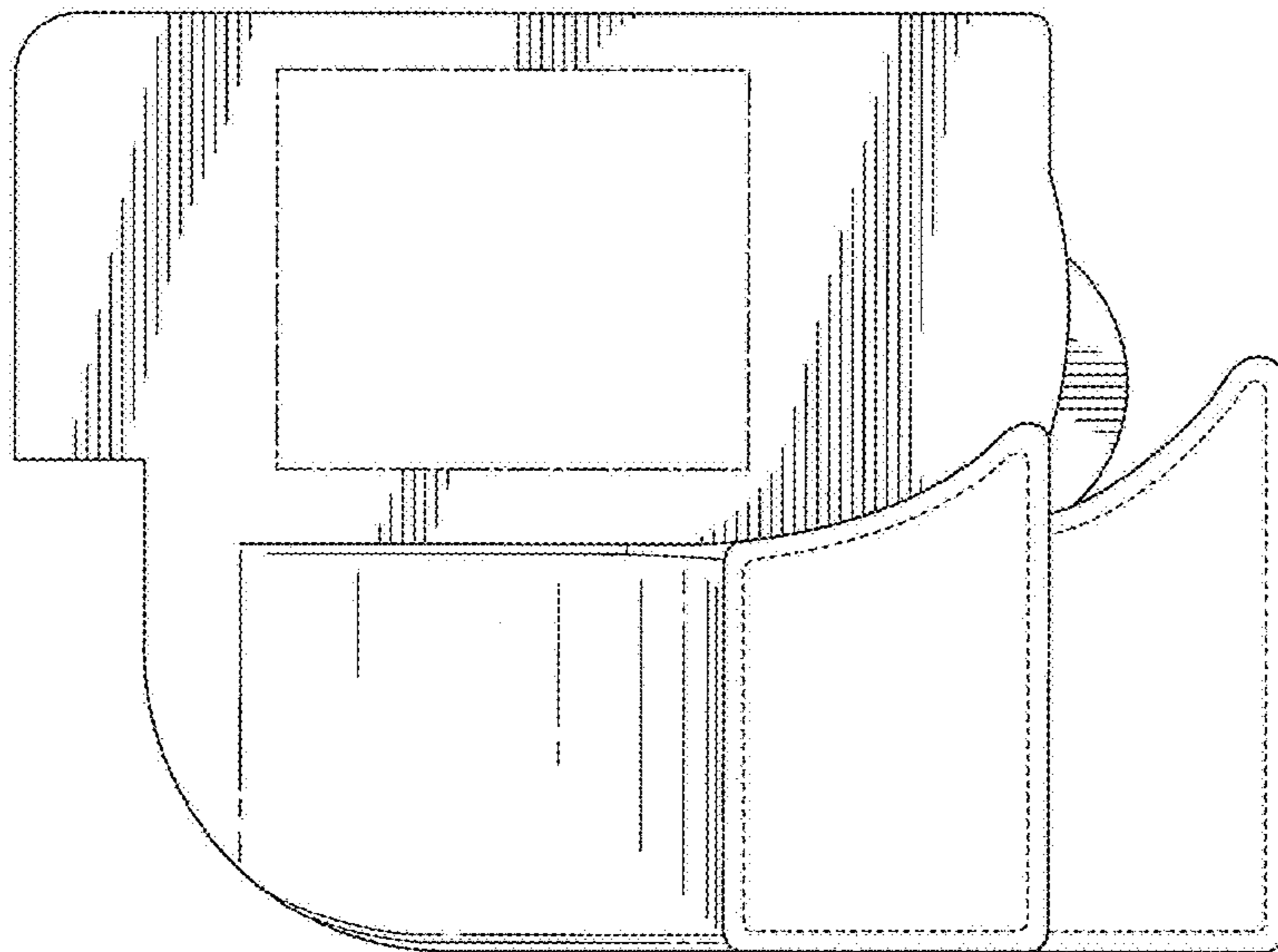


FIG. 3

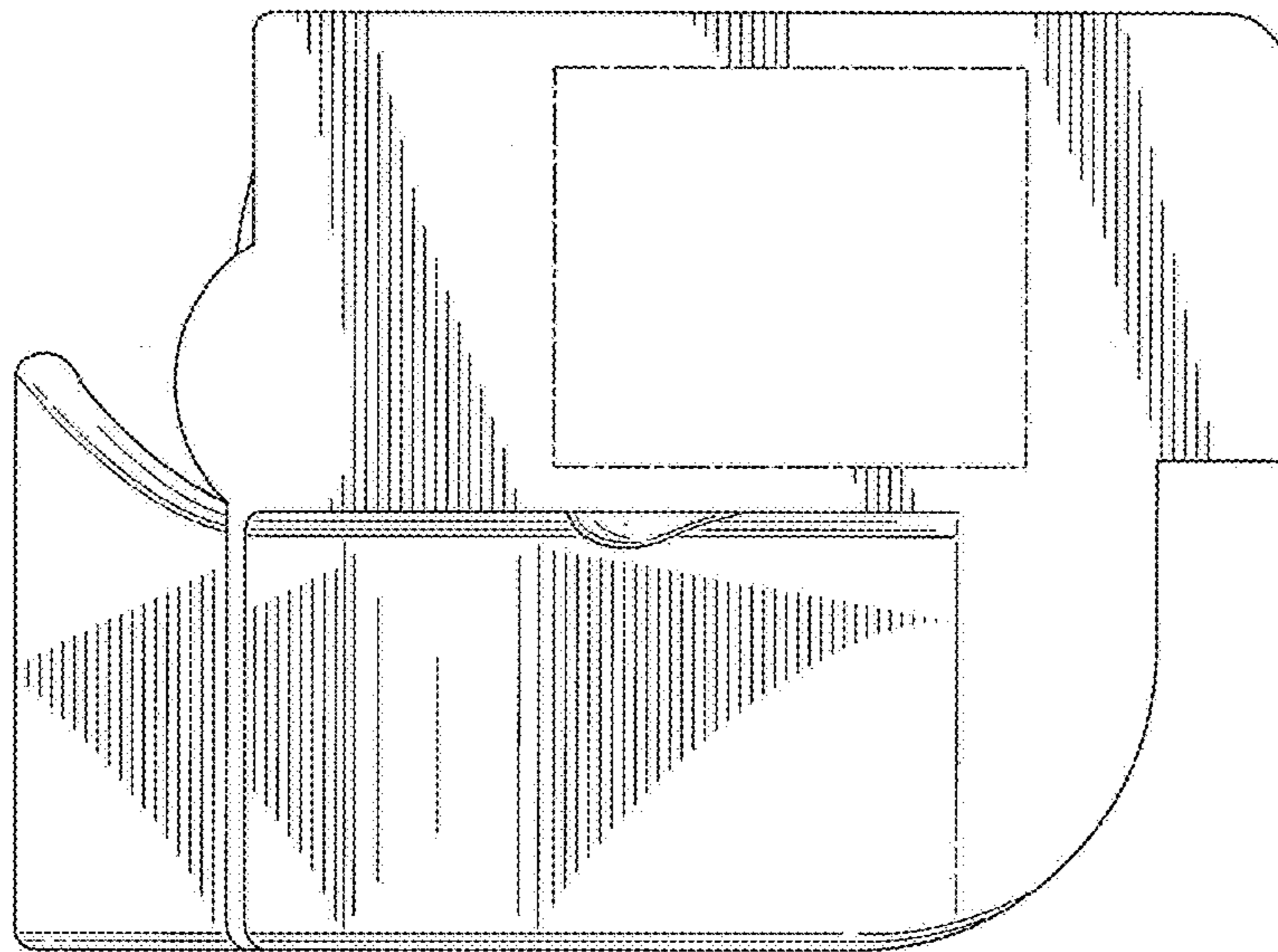


FIG. 4

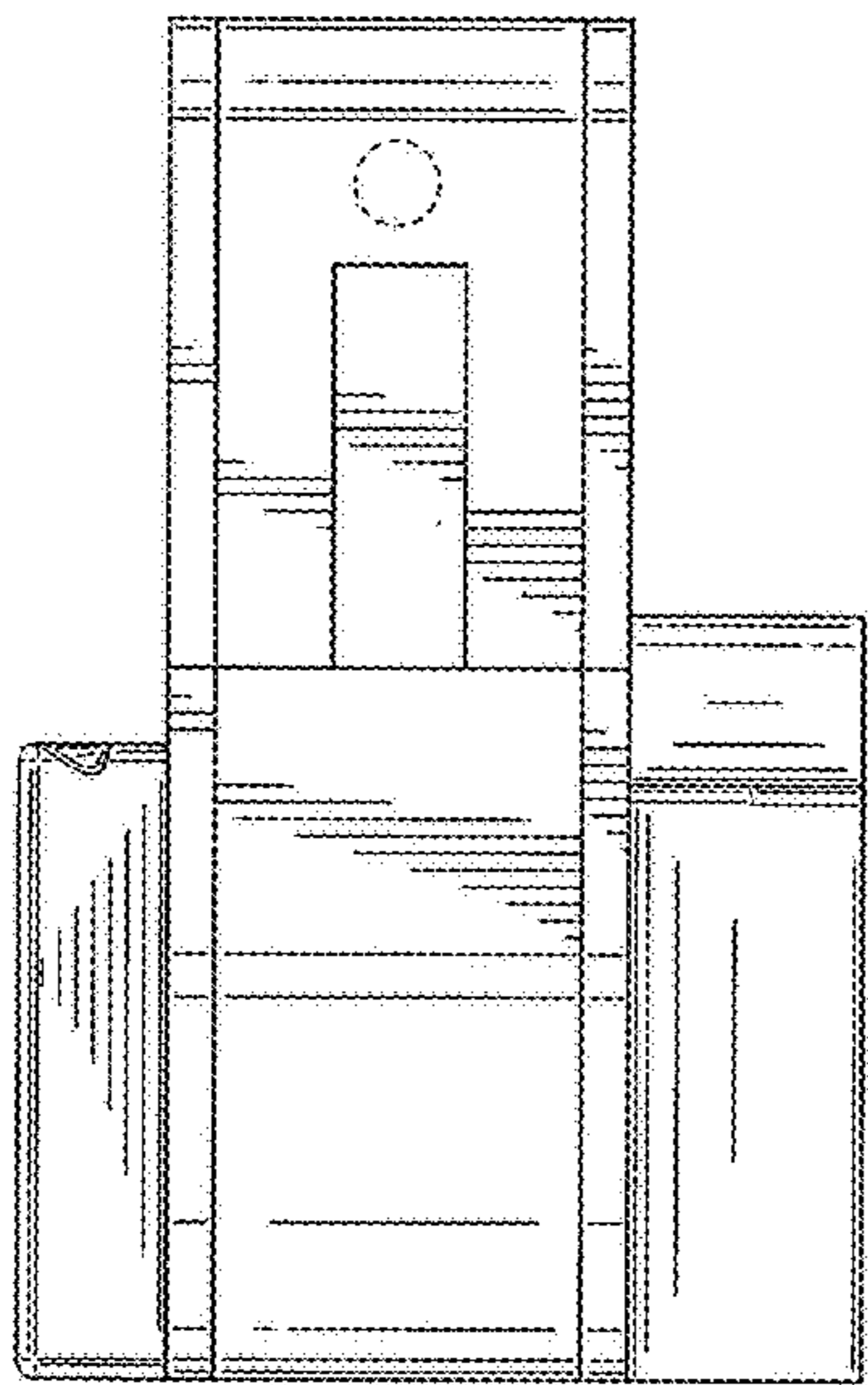


FIG. 5

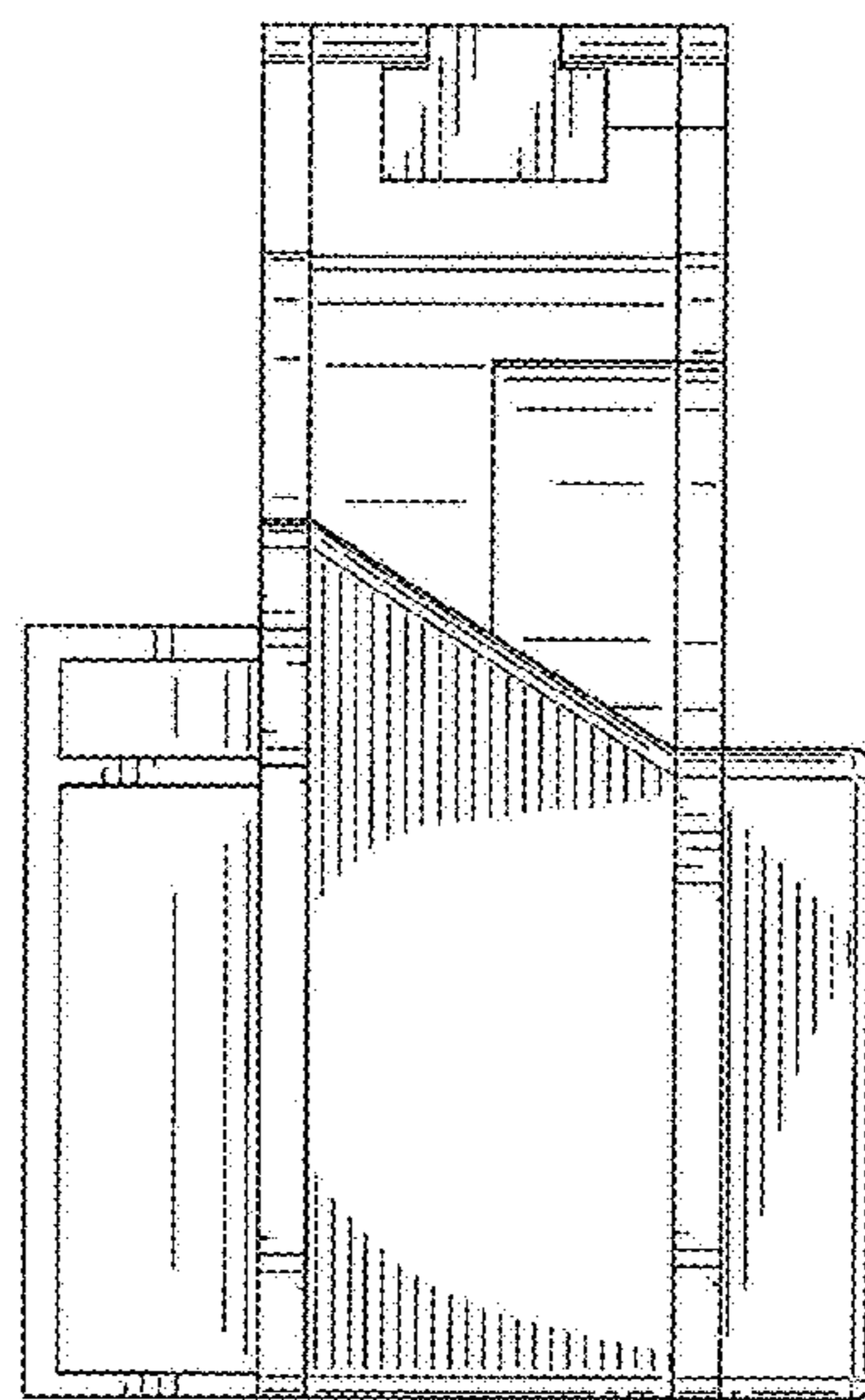


FIG. 6

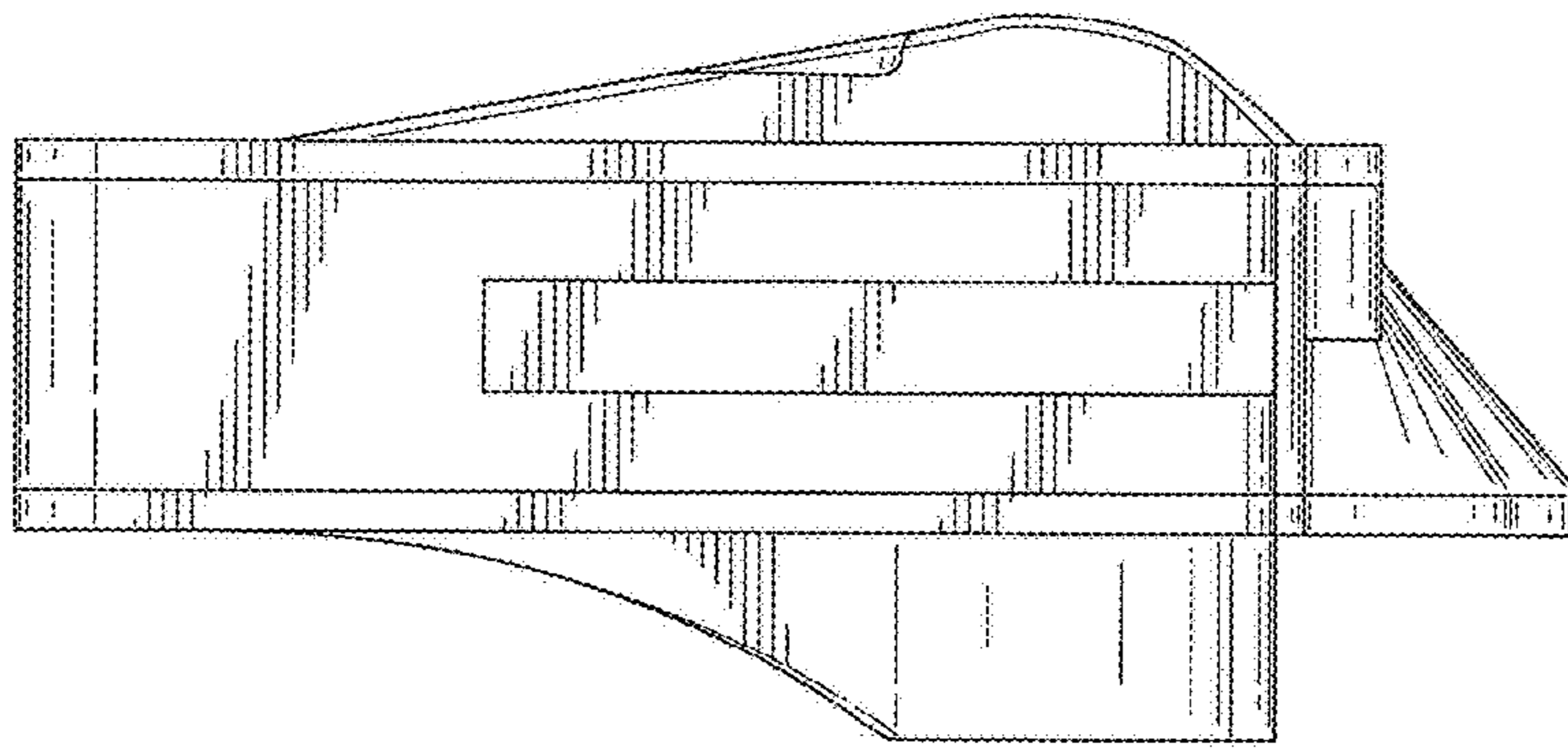


FIG. 7

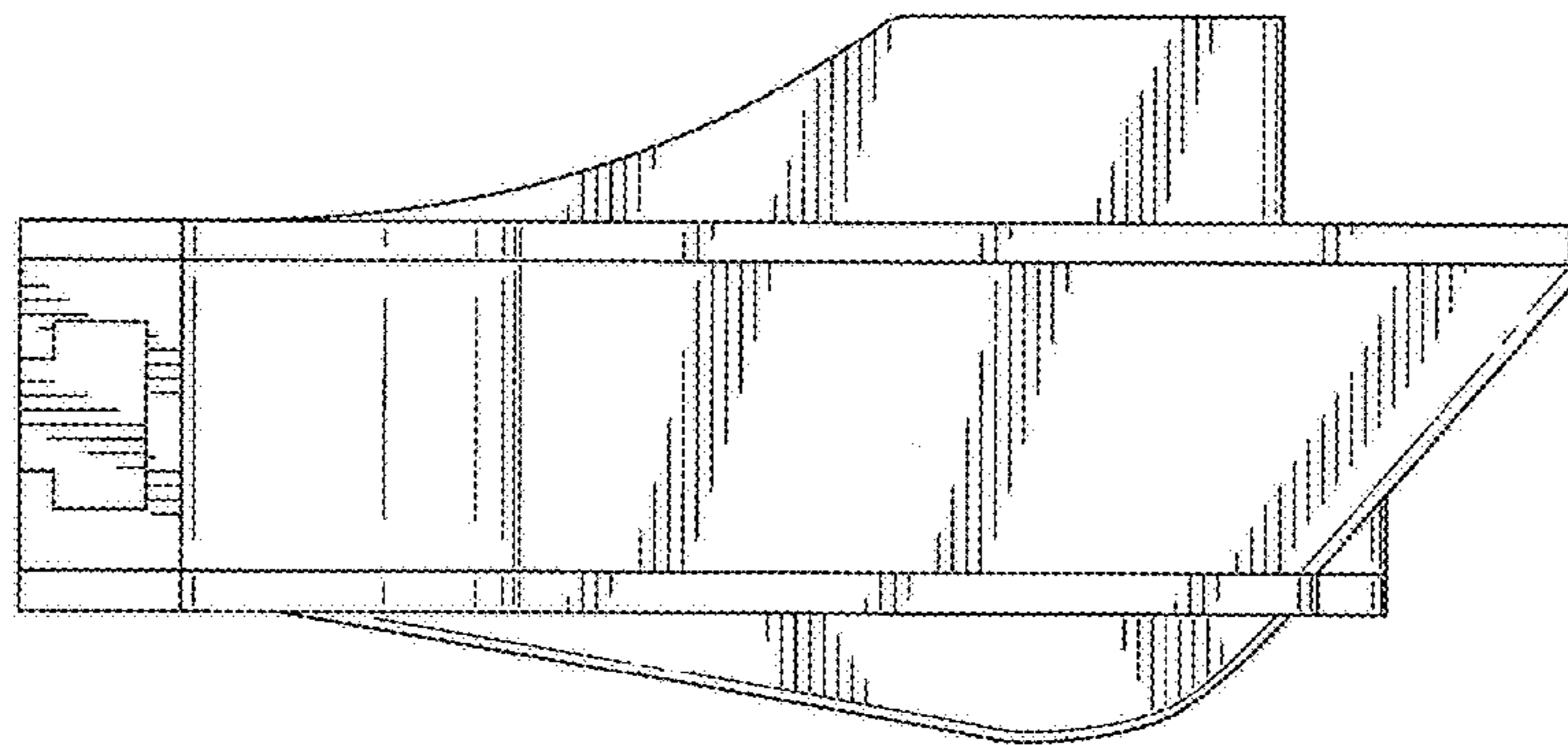


FIG. 8