



US00D860849S

(12) **United States Design Patent**
Arsenault

(10) **Patent No.:** **US D860,849 S**

(45) **Date of Patent:** **** Sep. 24, 2019**

(54) **WHISTLE**

(71) Applicant: **David F. Arsenault**, Stoneham, MA
(US)

(72) Inventor: **David F. Arsenault**, Stoneham, MA
(US)

(**) Term: **15 Years**

(21) Appl. No.: **29/656,284**

(22) Filed: **Jul. 11, 2018**

(51) **LOC (12) Cl.** **10-06**

(52) **U.S. Cl.**
USPC **D10/119.3**

(58) **Field of Classification Search**

USPC D10/116.1, 118, 118.1, 118.2, 119.1,
D10/119.2, 119.3, 119.4, 120, 121;
446/202, 203, 204, 205, 206, 207, 208,
446/209

CPC G10K 5/00; G10K 11/004; G10K 5/02;
G10K 11/26; G10K 11/28; G10K 9/12

See application file for complete search history.

(56) **References Cited**

U.S. PATENT DOCUMENTS

2,877,598	A *	3/1959	Seron	G10K 5/00 124/62
10,068,562	B1 *	9/2018	Christ	G10K 5/00
2009/0272310	A1 *	11/2009	Shishido	G10K 5/00 116/137 R
2010/0261403	A1 *	10/2010	Shishido	G10K 5/00 446/204
2012/0137956	A1 *	6/2012	Cheng	G10K 5/00 116/137 R
2016/0189490	A1 *	6/2016	D'Angelo	G10K 5/00 340/323 R
2016/0284332	A1 *	9/2016	Miller	G10K 5/00

OTHER PUBLICATIONS

“Fox 40 Super Force Glovegrip Coach’s Whistle” available Aug. 25, 2005, [online], [site visited Jun. 10, 2019]. Retrieved from Internet, URL:https://www.amazon.com/40-SUPER-GLOVEGRIP-COACHS-WHISTLE/product-reviews/B00020RN76/ref=cm_cr_getr_d_paging_btm_next_5 (Year: 2005).*

“Fox 40 Pearl Finger Grip Whistle” available Nov. 2, 2010, [online], [site visited Jun. 10, 2019]. Retrieved from Internet, URL:https://www.amazon.com/FOX-40-PEARL-FINGER-WHISTLE/product-reviews/B00020QXM2/ref=cm_cr_getr_d_paging_btm_next_4 (Year: 2010).*

“A&R Pro Series Standard Referee Hockey Sports Metal Finger Whistle” available Feb. 26, 2018, [online], [site visited Jun. 10, 2019]. Retrieved from Internet, URL:https://www.amazon.com/dp/B01LZBNXCA/ref=sspa_dk_detail_8?psc=1&pd_rd_i=B01LZBNXCA (Year: 2018).*

* cited by examiner

Primary Examiner — Cathron C Brooks

Assistant Examiner — Katrina N Gonzalez

(57) **CLAIM**

The ornamental design for a whistle, as shown and described.

DESCRIPTION

FIG. 1 is an isometric view of a whistle showing my new design;

FIG. 2 a right side view thereof;

FIG. 3 is a left side view thereof;

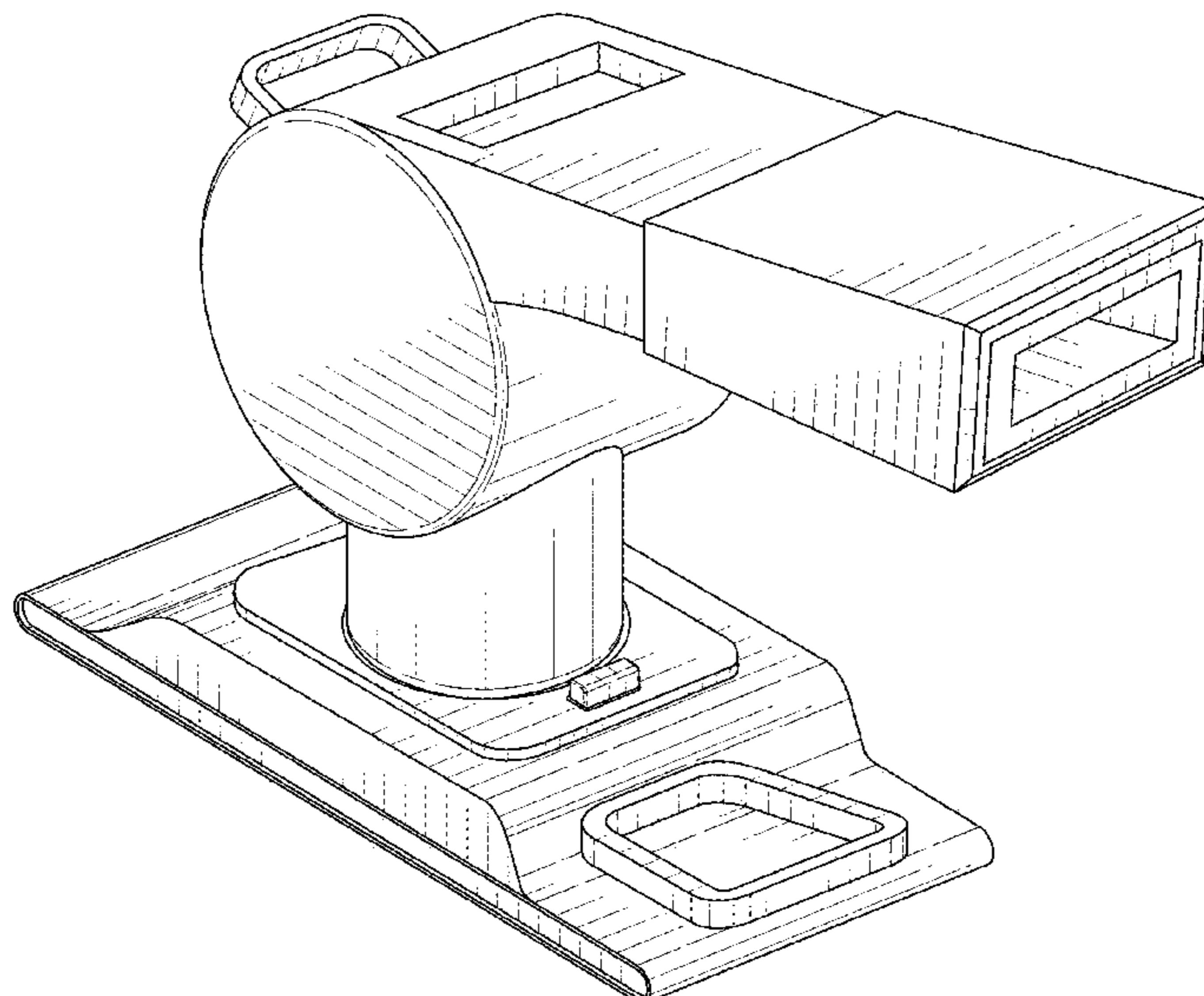
FIG. 4 is a rear view thereof;

FIG. 5 is a front view thereof;

FIG. 6 is a top view thereof; and,

FIG. 7 is a bottom view thereof showing my design.

1 Claim, 6 Drawing Sheets



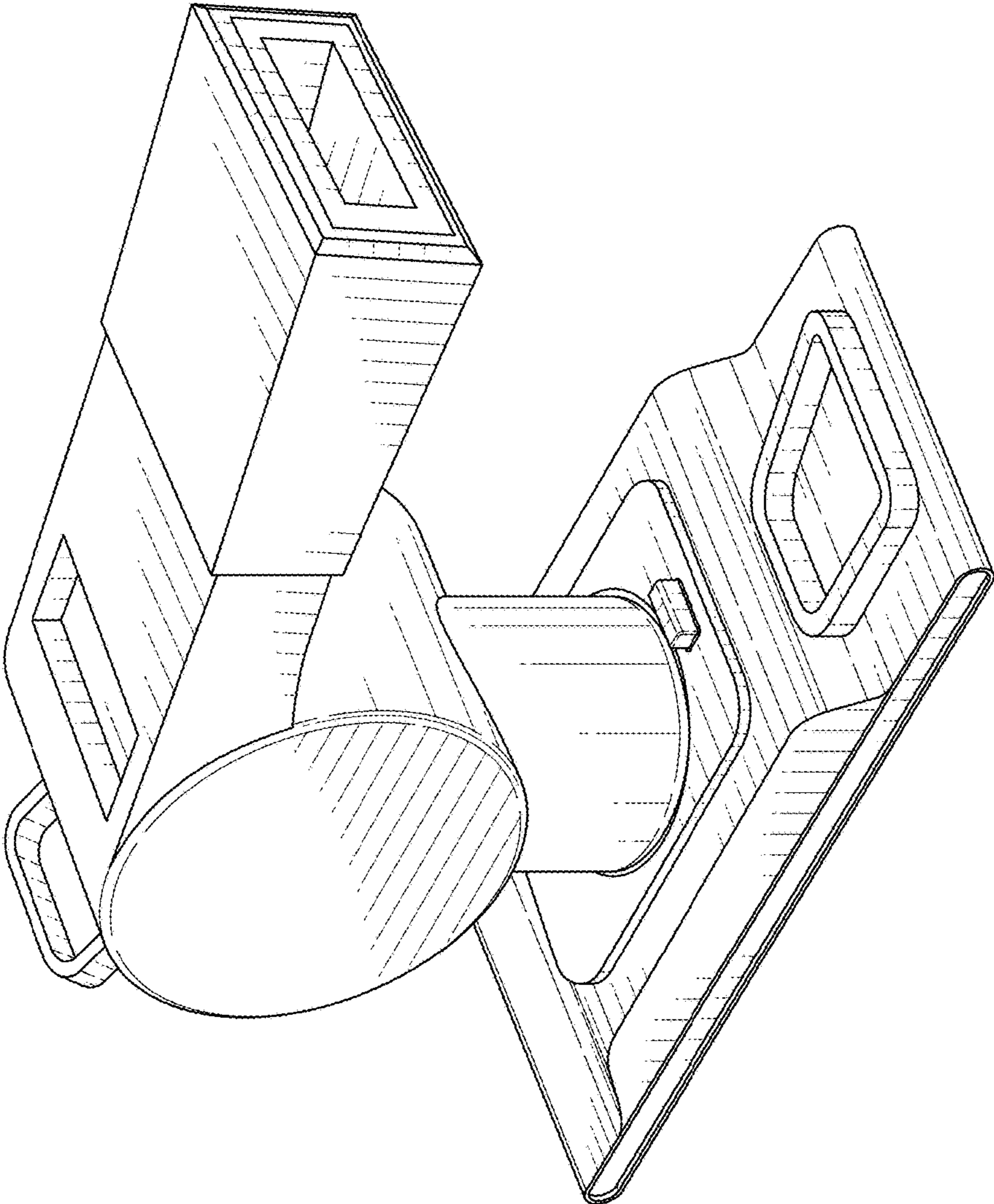


FIG. 1

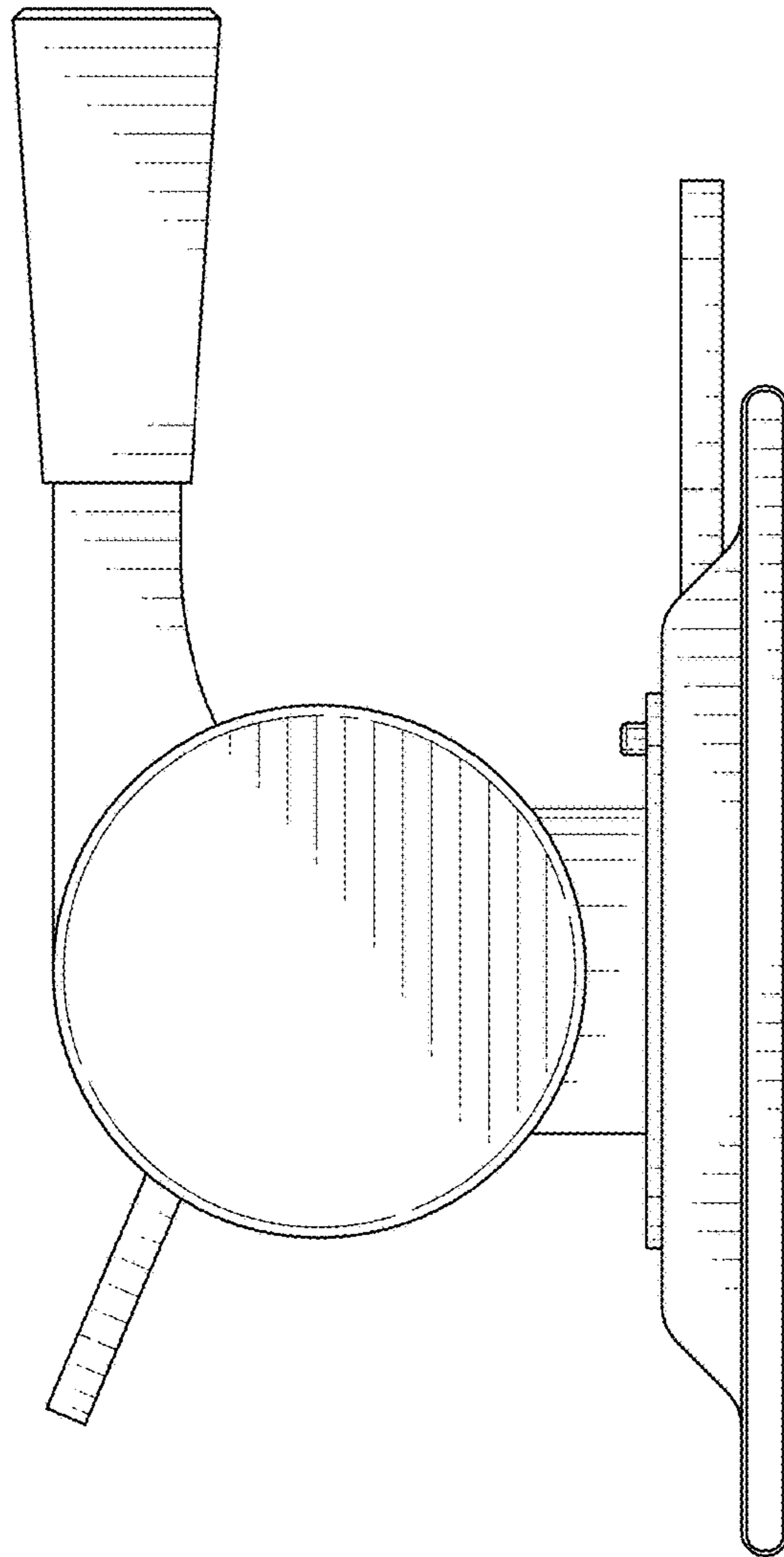


FIG. 2

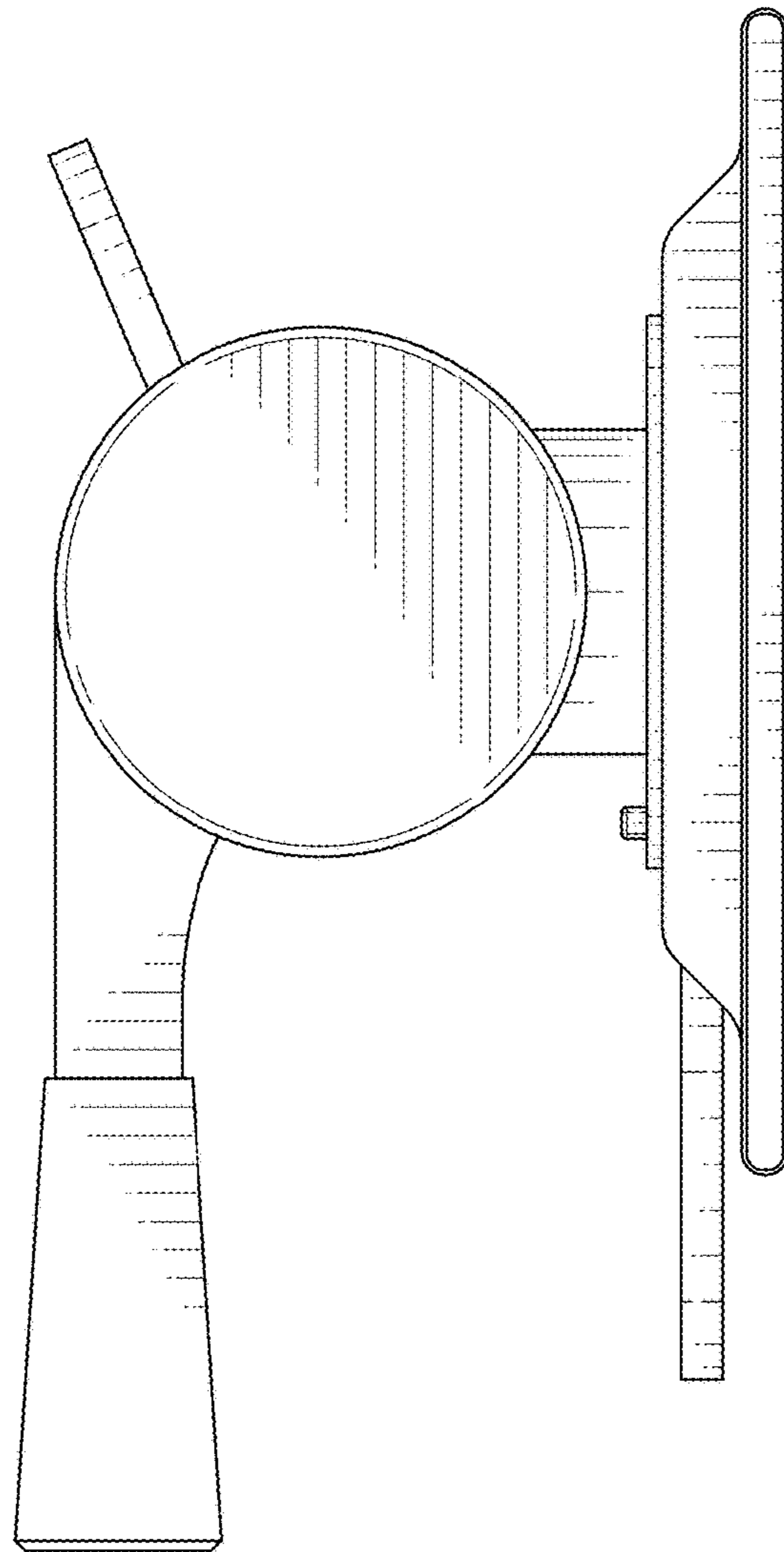


FIG. 3

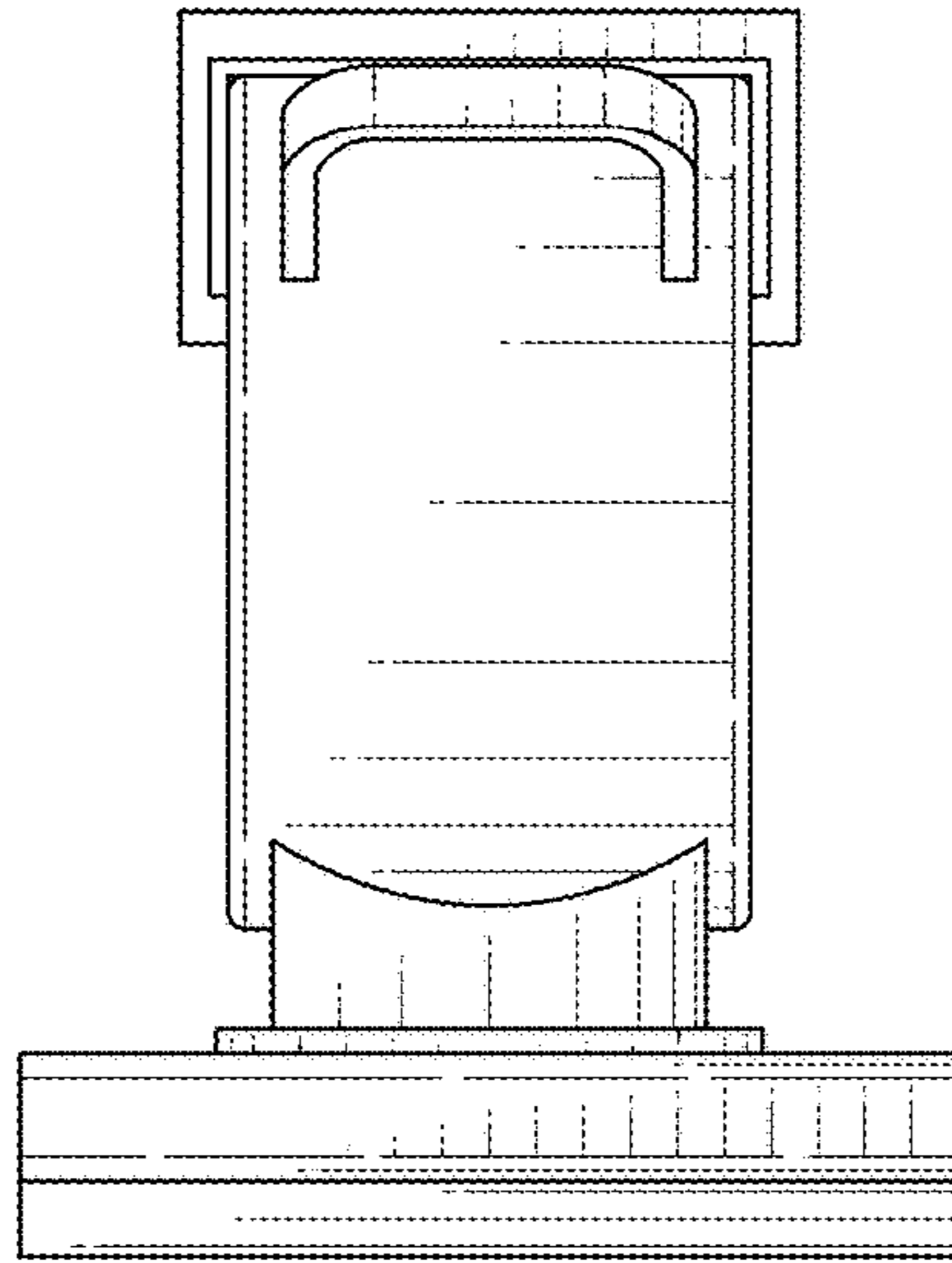


FIG. 4

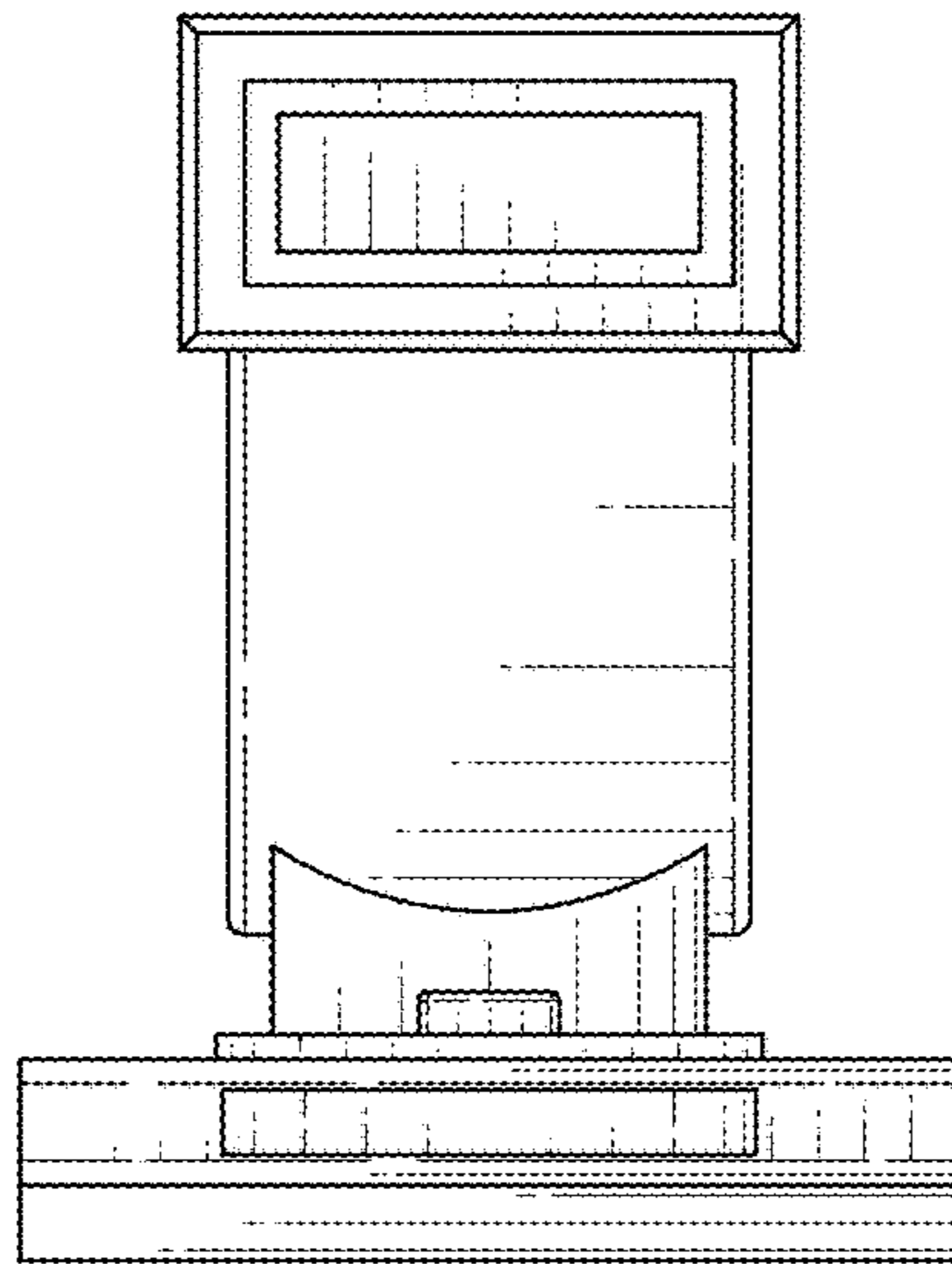


FIG. 5

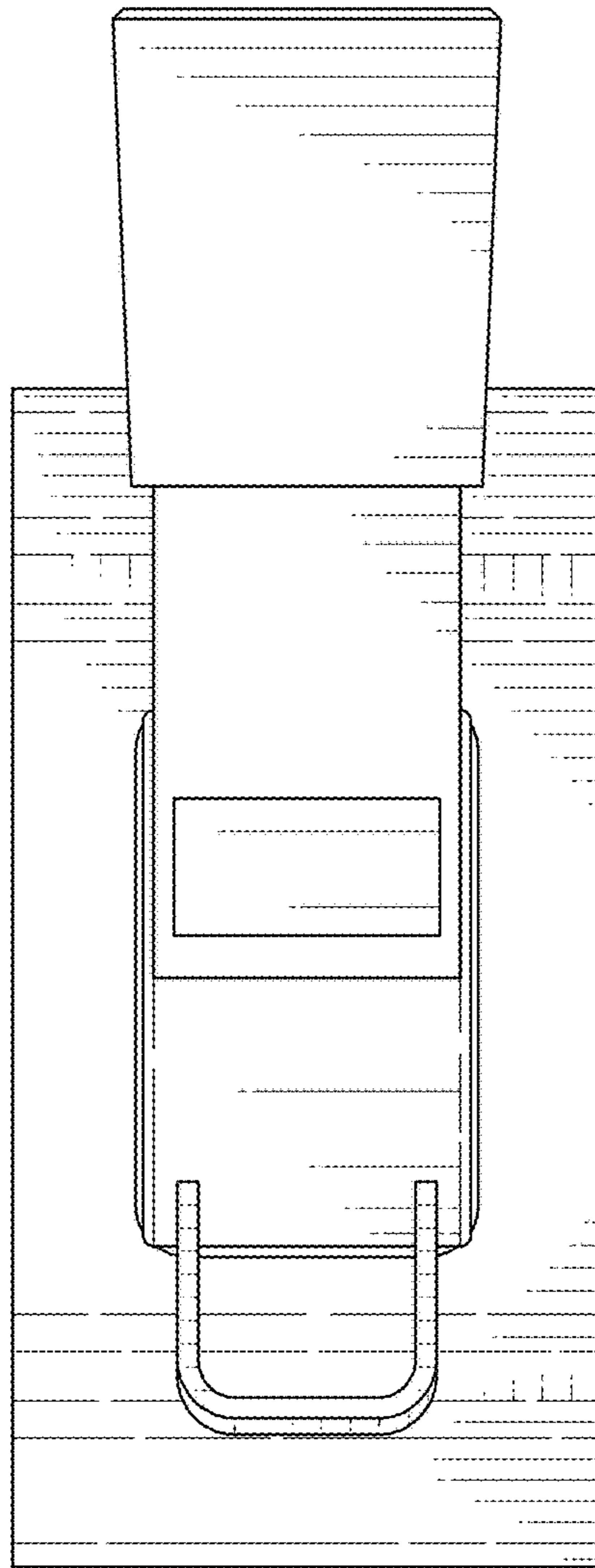


FIG. 6

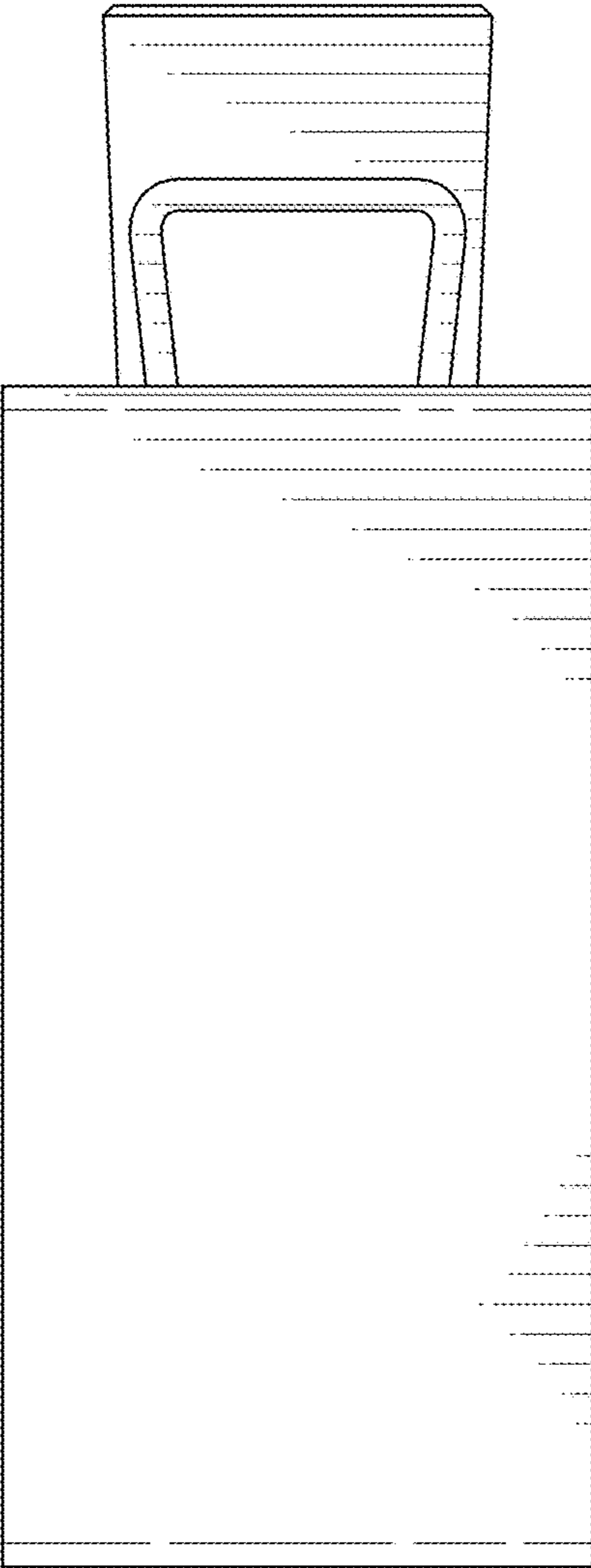


FIG. 7