



US00D860848S

(12) **United States Design Patent** (10) **Patent No.:** **US D860,848 S**  
**Park** (45) **Date of Patent:** **\*\* Sep. 24, 2019**

(54) **DOOR BELL**  
(71) Applicant: **Hanwha Techwin Co., Ltd.**,  
Seongnam-si (KR)  
(72) Inventor: **Ho Jin Park**, Changwon-si (KR)  
(73) Assignee: **Hanwha Techwin Co., Ltd.**,  
Seongnam-si (KR)  
(\*\*) Term: **15 Years**  
(21) Appl. No.: **29/625,576**

D764,463 S \* 8/2016 Dwivedula ..... D14/358  
D764,958 S \* 8/2016 Scalisi ..... D10/118.2  
D767,568 S \* 9/2016 McWilliam ..... D14/358  
D800,201 S \* 10/2017 Song ..... D16/202  
D828,201 S \* 9/2018 Jeong ..... D10/118.2  
(Continued)

**FOREIGN PATENT DOCUMENTS**

DE 402015203271 11/2015  
JP 1095888 1/2001  
KR 30-0778965 1/2015

**OTHER PUBLICATIONS**

Available Sep. 26, 2017, [online], [site visited Dec. 2, 2018].  
Available from Internet, <URL:https://www.securityinfowatch.com/  
product/12390284/hanwha-techwin-america-wisenet-smartcam-d1-  
smart-doorbell-from-hanwha-techwin> (Year: 2017).\*  
(Continued)

(30) **Foreign Application Priority Data**

May 11, 2017 (KR) ..... 30-2017-0021282

(51) **LOC (12) Cl.** ..... **10-05**  
(52) **U.S. Cl.**  
USPC ..... **D10/118.2**

(58) **Field of Classification Search**  
USPC ..... D8/350, 343, 305, 353; D10/46, 104.1,  
D10/106, 106.5, 106.6, 116.1, 118, 118.1,  
D10/118.2, 119.1, 120, 121, 124, 126;  
D13/158, 169, 171, 174; D14/159, 358;  
D16/202, 203, 208, 209, 215; D25/147,  
D25/103; D26/72, 85, 88; 200/310;  
340/392.1, 384.7, 326, 539.14; 455/41.2  
CPC ..... H04M 11/02; H04M 11/025; G08B 3/00;  
G08B 3/10; G08B 7/00; G08B 7/06  
See application file for complete search history.

*Primary Examiner* — Cathron C Brooks  
*Assistant Examiner* — Katrina N Gonzalez  
(74) *Attorney, Agent, or Firm* — H.C. Park & Associates,  
PLC

(57) **CLAIM**

The ornamental design for a door bell, as shown and described.

**DESCRIPTION**

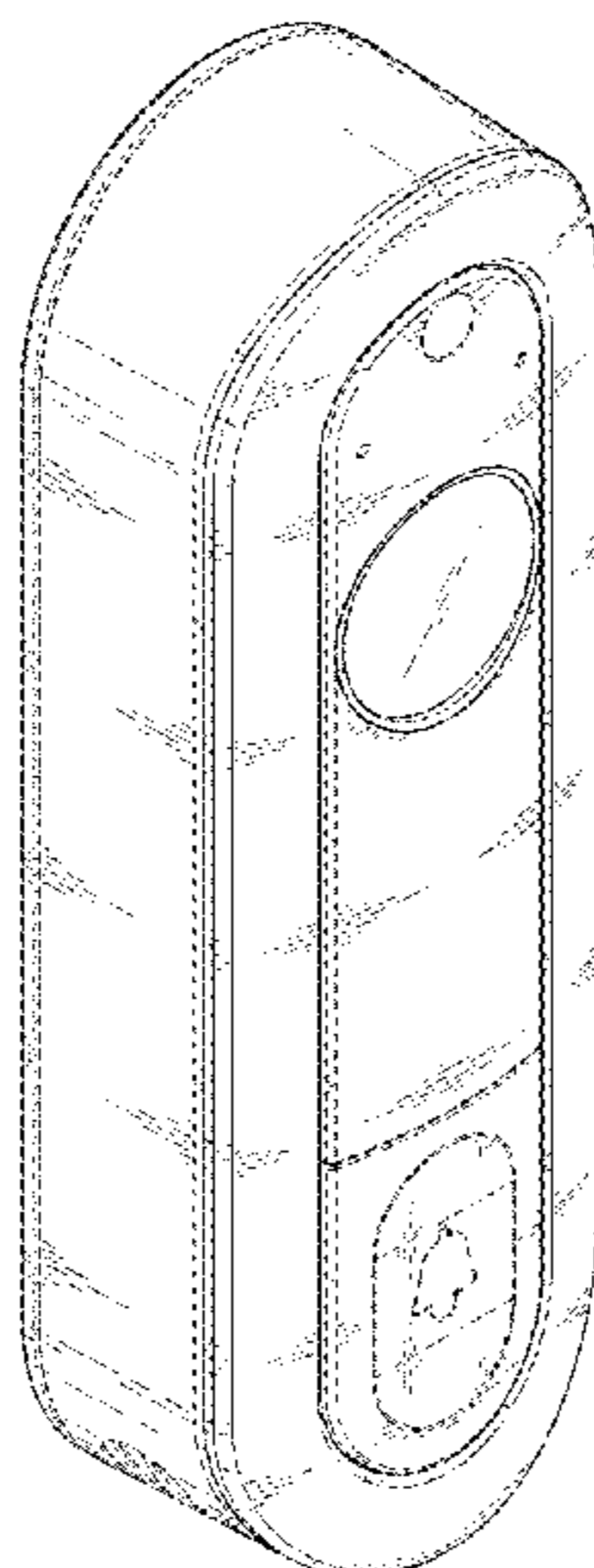
FIG. 1 is a front perspective view of the door bell;  
FIG. 2 is a front elevational view thereof;  
FIG. 3 is a rear elevational view thereof;  
FIG. 4 is a right side elevational view thereof;  
FIG. 5 is a left side elevational view thereof;  
FIG. 6 is a top plan view thereof; and,  
FIG. 7 is a bottom plan view thereof.  
The broken lines illustrate portions of the door bell that form no part of the claimed design.

**1 Claim, 6 Drawing Sheets**

(56) **References Cited**

**U.S. PATENT DOCUMENTS**

D464,365 S \* 10/2002 Su ..... D16/202  
D562,779 S \* 2/2008 Lamoree ..... D13/171  
D690,757 S 10/2013 Bart et al.  
D747,228 S \* 1/2016 Fiedler ..... D10/104.1  
D764,461 S \* 8/2016 Romanoff ..... D14/358  
D764,462 S \* 8/2016 Romanoff ..... D14/358



(56)

**References Cited**

U.S. PATENT DOCUMENTS

D830,872 S \* 10/2018 Jacob ..... D10/118.2

OTHER PUBLICATIONS

Available Jul. 2, 2018, [online], [site visited Dec. 2, 2018]. Available from Internet, <URL:<https://www.digitaltrends.com/home-security-reviews/wisenet-smartcam-d1-video-doorbell-review/>> (Year: 2018).\*

(Via YouTube), available Sep. 28, 2017, [online], [site visited Dec. 2, 2018]. Video available from internet, <URL:<https://www.youtube.com/watch?v=gV4zSkGWArl>> (Year: 2017).\*

Vivint, Inc., “Vivint Doorbell Camera” showing at <https://www.vivint.com/products/doorbell-camera>.

Ring, “Video Doorbells” showing at <https://ring.com/products>.

Gadget Flow, “ZModo-Smart Wi-Fi Doorbell” webpage <https://thegadgetflow.com/portfolio/zmodo-smart-wi-fi-doorbell/>.

\* cited by examiner

FIG. 1

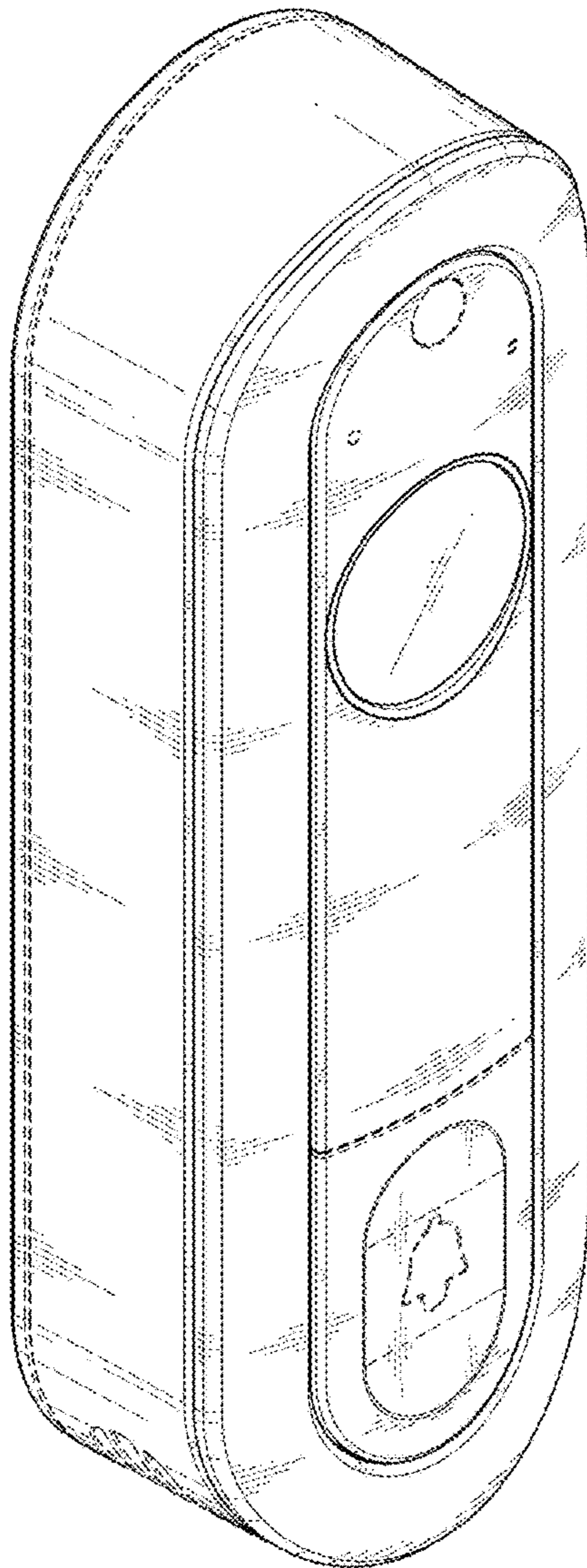


FIG. 2

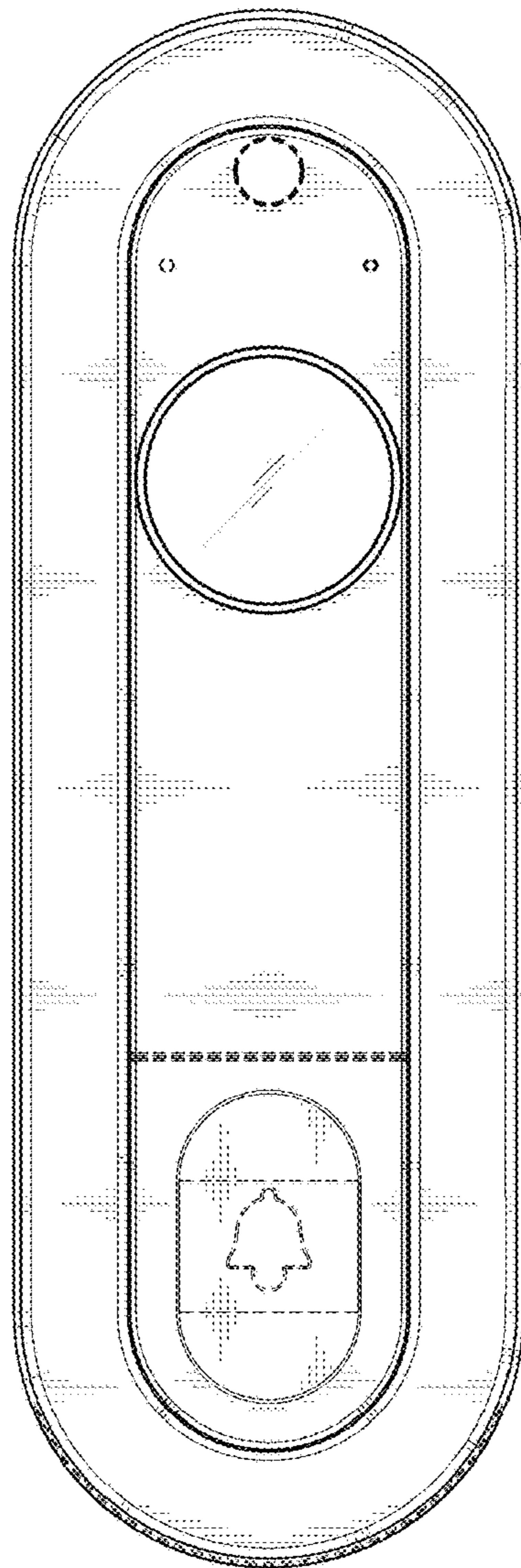


FIG. 3

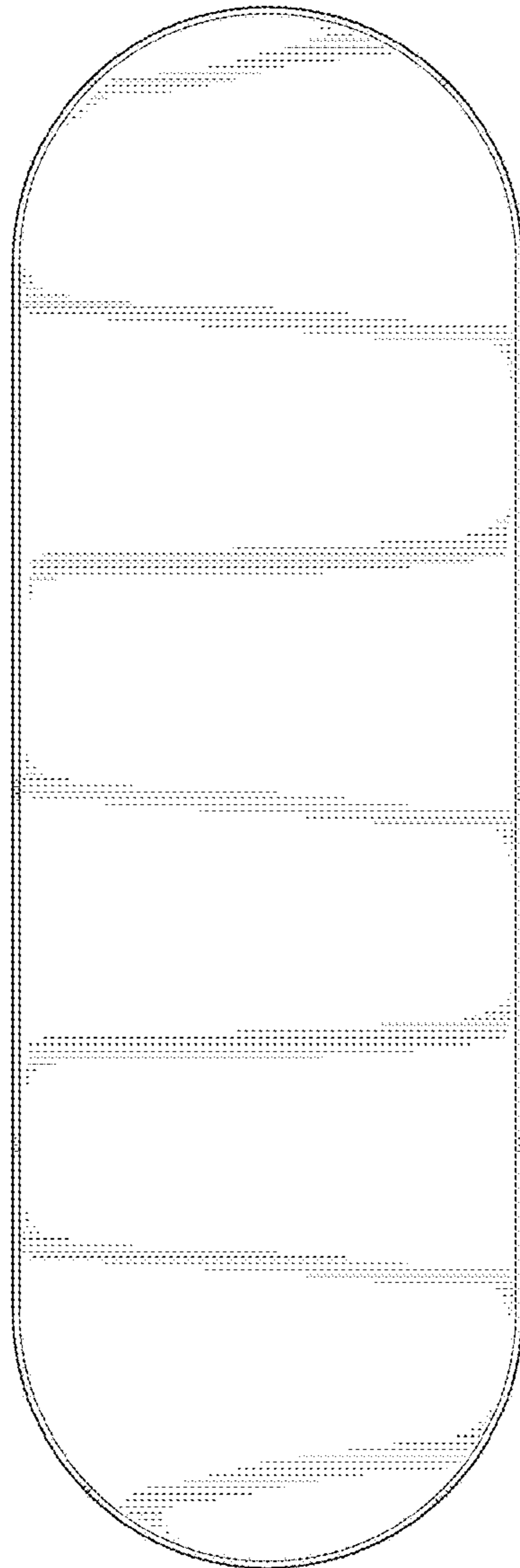


FIG. 4

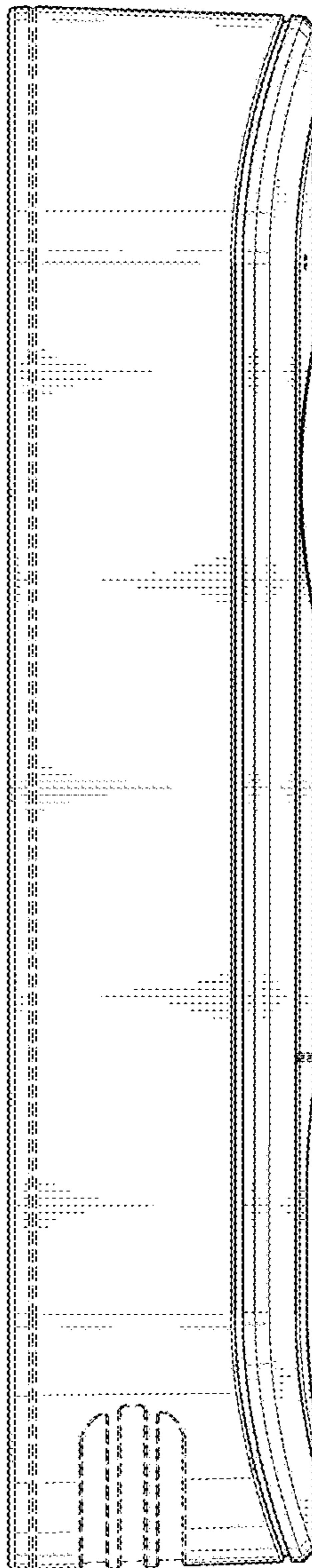


FIG. 5

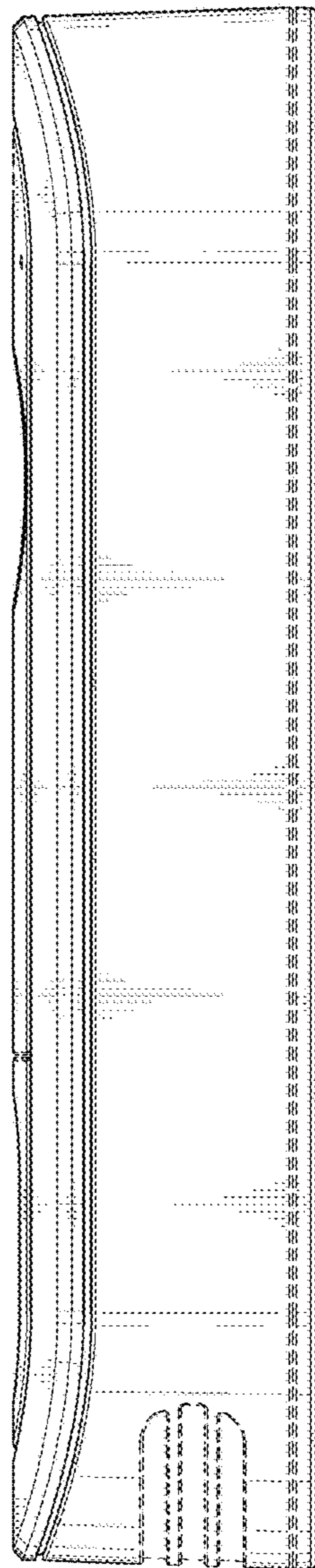


FIG. 6

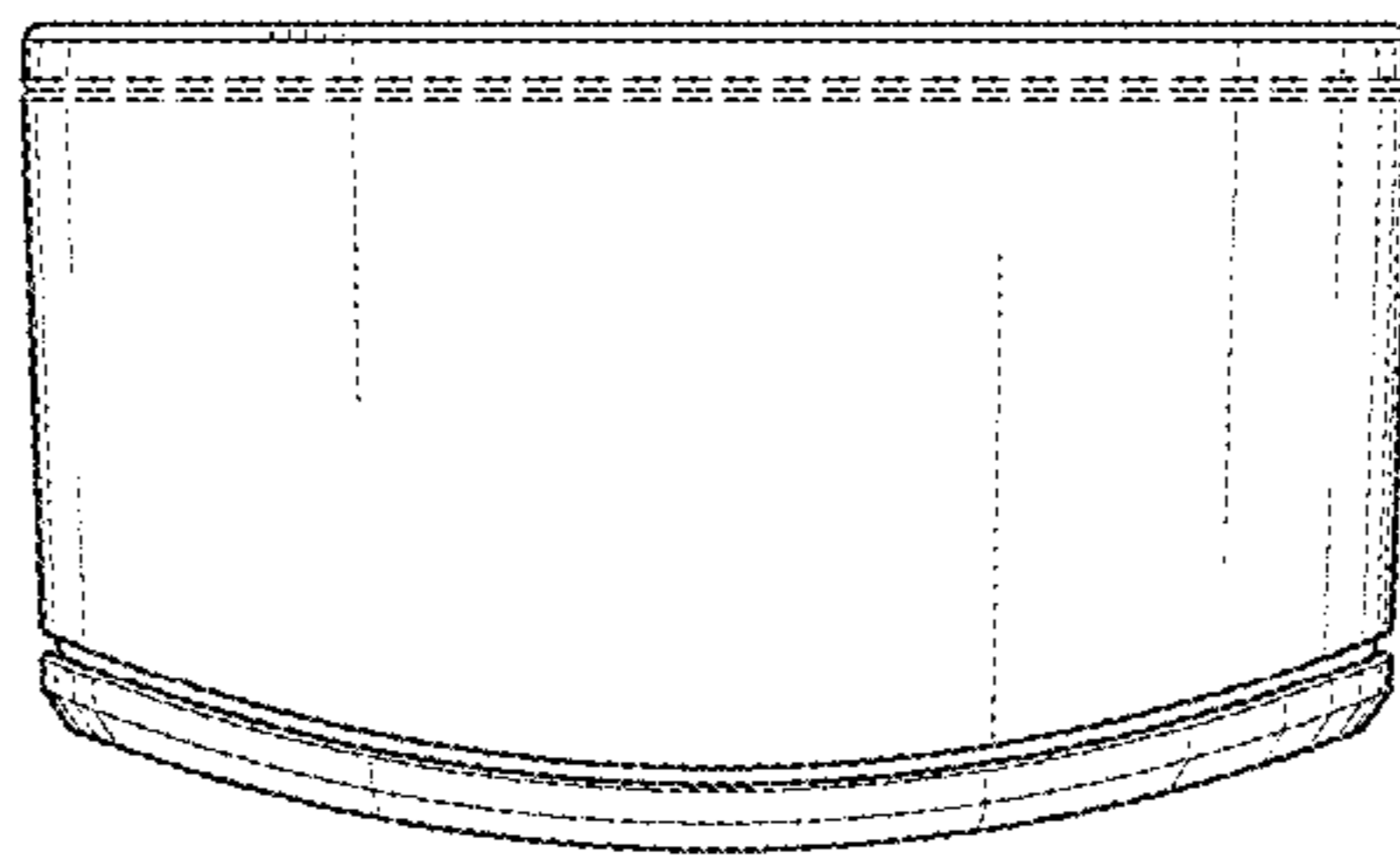


FIG. 7

