

US00D860847S

(12) **United States Design Patent** (10) **Patent No.:** **US D860,847 S**
Gonzalez (45) **Date of Patent:** **** Sep. 24, 2019**

(54) **CONSPICUITY DEVICE**
(71) Applicant: **CSC Group LLC**, Waldwick, NJ (US)
(72) Inventor: **Joseph A. Gonzalez**, Waldwick, NJ (US)
(73) Assignee: **CSC Group LLC**, Waldwick, NJ (US)
(**) Term: **15 Years**

4,806,908 A 2/1989 Krupnik
4,857,416 A 8/1989 Kreiling et al.
4,877,167 A 10/1989 McNemar
(Continued)

FOREIGN PATENT DOCUMENTS

EP 0669008 B1 11/1998
WO 01/13351 A1 2/2001
(Continued)

OTHER PUBLICATIONS

Supplementary European Search Report and the European Search Opinion, in corresponding EP application No. 07717913.3, dated Mar. 5, 2012.

(Continued)

(21) Appl. No.: **29/645,017**
(22) Filed: **Apr. 23, 2018**
(51) **LOC (12) Cl.** **10-05**
(52) **U.S. Cl.**
USPC **D10/114.1**
(58) **Field of Classification Search**
USPC D10/109.1, 109.2, 111, 113.2, 113.4,
D10/114.1-115; D20/10, 13, 17, 22, 27,
D20/41, 42
CPC G08G 1/0116; G08G 1/095; G08G 1/0145;
G08G 1/166; G08G 1/09; G08G
1/096783; E01F 9/654; E01F 9/688
See application file for complete search history.

Primary Examiner — George D. Kirschbaum
Assistant Examiner — Joseph J Kukella
(74) *Attorney, Agent, or Firm* — Crawford Maunu PLLC

(57) **CLAIM**

The ornamental design for a conspicuity device, as shown and described.

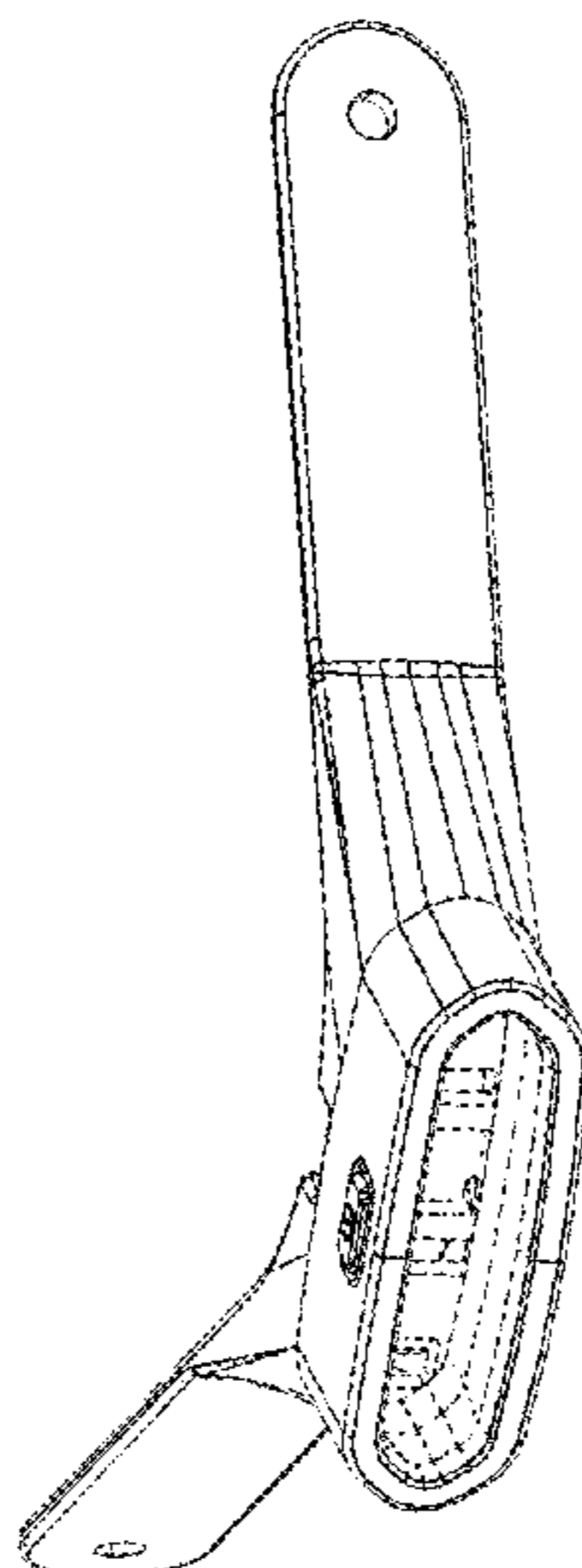
DESCRIPTION

FIG. 1 is a front view of an ornamental design for a conspicuity device in accordance with the present disclosure;
FIG. 2 is a rear view thereof;
FIG. 3 is a left-side view thereof;
FIG. 4 is a right-side view thereof;
FIG. 5 is a top view thereof;
FIG. 6 is bottom view thereof;
FIG. 7 is a front upper perspective view thereof;
FIG. 8 is a rear upper perspective view thereof; and,
FIG. 9 is a rear lower perspective view thereof.
In the drawings, the broken lines depict portions of the article that form no part of the claimed design.

(56) **References Cited**
U.S. PATENT DOCUMENTS

2,817,698 A	12/1957	Schneiderman
3,886,804 A	6/1975	Winfield, Jr.
3,953,037 A	4/1976	Winfield, Jr.
3,986,881 A	10/1976	Oberley
4,164,596 A	8/1979	Meister
4,393,911 A	7/1983	Winfield
D281,475 S	11/1985	Braunschweig et al.
4,563,047 A	1/1986	Braunschweig et al.
4,578,617 A	3/1986	Kerr, III et al.
D287,479 S	12/1986	Winfield
D288,427 S	2/1987	Winfield
4,662,419 A	5/1987	Winfield
4,718,126 A	1/1988	Slay
4,788,629 A	11/1988	Handy et al.

1 Claim, 6 Drawing Sheets



(56)

References Cited

U.S. PATENT DOCUMENTS

4,902,567 A 2/1990 Eilersen et al.
 D316,153 S * 4/1991 Lyons D10/114.1
 5,051,654 A 9/1991 Nativi et al.
 5,102,024 A 4/1992 Boersma et al.
 5,243,457 A 9/1993 Spencer
 5,300,783 A 4/1994 Spencer et al.
 5,308,101 A 5/1994 Monty
 5,315,491 A 5/1994 Spencer et al.
 5,317,497 A 5/1994 Belek
 5,327,587 A 7/1994 Hurwitz
 5,361,017 A 11/1994 Krause
 5,412,544 A 5/1995 Derrick et al.
 5,426,792 A 6/1995 Murasko
 D362,736 S * 9/1995 Leather D10/114.1
 5,469,342 A 11/1995 Chien et al.
 5,511,837 A 4/1996 Dempsey et al.
 5,559,680 A 9/1996 Tabanera
 5,563,472 A 10/1996 Cassidy
 5,564,128 A 10/1996 Richardson
 5,570,946 A 11/1996 Chien et al.
 5,583,394 A 12/1996 Burbank et al.
 5,608,919 A 3/1997 Case
 5,661,374 A 8/1997 Cassidy et al.
 5,754,445 A 5/1998 Jouper et al.
 5,757,125 A 5/1998 Furlong et al.
 5,810,467 A 9/1998 Hurwitz
 6,007,219 A 12/1999 O'Meara
 6,046,513 A 4/2000 Jouper et al.
 6,066,830 A 5/2000 Cline et al.
 6,159,878 A 12/2000 Marsh
 6,163,247 A 12/2000 O'Meara
 6,198,226 B1 3/2001 Koskuba, Jr.
 6,249,913 B1 6/2001 Galipeau et al.
 6,280,057 B1 8/2001 O'Meara
 6,295,007 B1 9/2001 O'Meara
 6,307,207 B1 10/2001 Burbank
 6,364,498 B1 4/2002 Burbank
 6,569,786 B1 5/2003 Marsh
 6,599,141 B2 7/2003 Hambley et al.
 6,616,128 B2 9/2003 Selzer
 6,777,953 B2 8/2004 Blades
 D502,420 S * 3/2005 Dent D10/114.1
 6,876,203 B2 4/2005 Blades
 6,882,158 B2 4/2005 Blades
 6,883,931 B2 4/2005 Tufte
 6,927,579 B2 8/2005 Blades
 6,966,668 B2 11/2005 Cugini et al.
 7,001,639 B2 2/2006 Murasko et al.
 7,030,573 B2 4/2006 Powell

7,052,631 B2 5/2006 Cranor
 7,064,526 B2 6/2006 Patterson
 7,134,773 B2 11/2006 Tufte
 7,273,297 B2 9/2007 Cranor et al.
 7,388,311 B2 6/2008 Bhargava
 7,425,079 B2 9/2008 Bruce et al.
 D596,063 S * 7/2009 Chen D10/114.1
 7,753,542 B2 7/2010 Bruce et al.
 8,136,959 B2 3/2012 Ho
 D678,564 S * 3/2013 Janssen D26/28
 D678,797 S * 3/2013 Ten Wolde D10/114.2
 8,408,732 B2 4/2013 Yeh
 D709,221 S * 7/2014 Tsai D26/28
 D813,073 S * 3/2018 Kuo D10/114.1
 2003/0208764 A1 11/2003 Galipeau et al.
 2004/0021371 A1 2/2004 Jouper
 2004/0046502 A1 3/2004 Chien
 2004/0240198 A1 12/2004 Van Laar et al.
 2005/0039208 A1 2/2005 Veeck et al.
 2005/0099799 A1 5/2005 Cugini et al.
 2006/0001007 A1 1/2006 Fukui
 2006/0046093 A1 3/2006 Landry et al.
 2006/0106503 A1 5/2006 Lamb et al.
 2006/0250785 A1 11/2006 Cugini et al.
 2008/0001583 A1 1/2008 Brown et al.
 2009/0141475 A1 6/2009 Bruce et al.
 2010/0157584 A1 6/2010 Ho
 2011/0164406 A1 7/2011 Chen
 2012/0002409 A1 1/2012 Donauer

FOREIGN PATENT DOCUMENTS

WO 01/46615 A1 6/2001
 WO 03/106588 A1 12/2003
 WO 07/00653 A1 10/2008

OTHER PUBLICATIONS

International Search Report in related international application No. PCT/US07/00653, dated Oct. 3, 2008.
 International Preliminary Report on Patentability and Written Opinion in related international application No. PCT/US07/00653, dated Oct. 3, 2008.
 USPTO Non-Final Office Action in related U.S. Appl. No. 11/836,885, dated Apr. 23, 2008.
 USPTO Non-Final Office Action in related U.S. Appl. No. 13/350,139, dated Dec. 19, 2013.
 USPTO Final Office Action in related U.S. Appl. No. 12/106,301, dated Sep. 26, 2011.

* cited by examiner

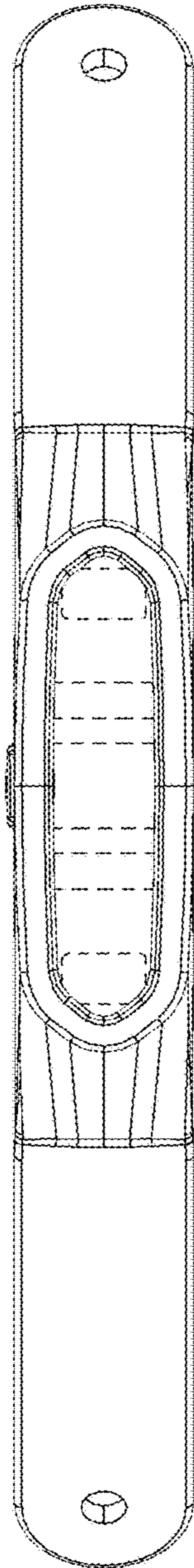


FIG. 1

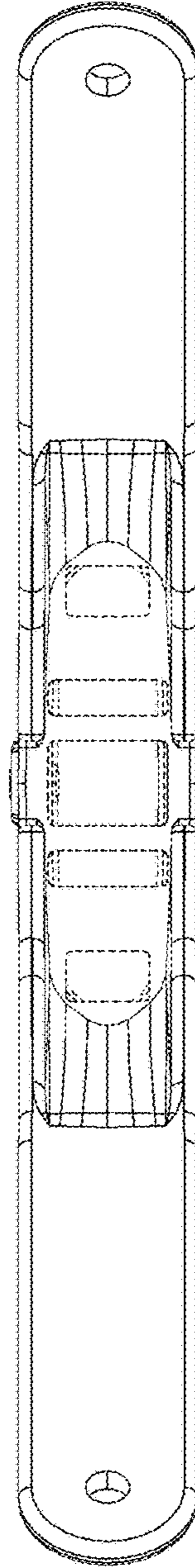


FIG. 2

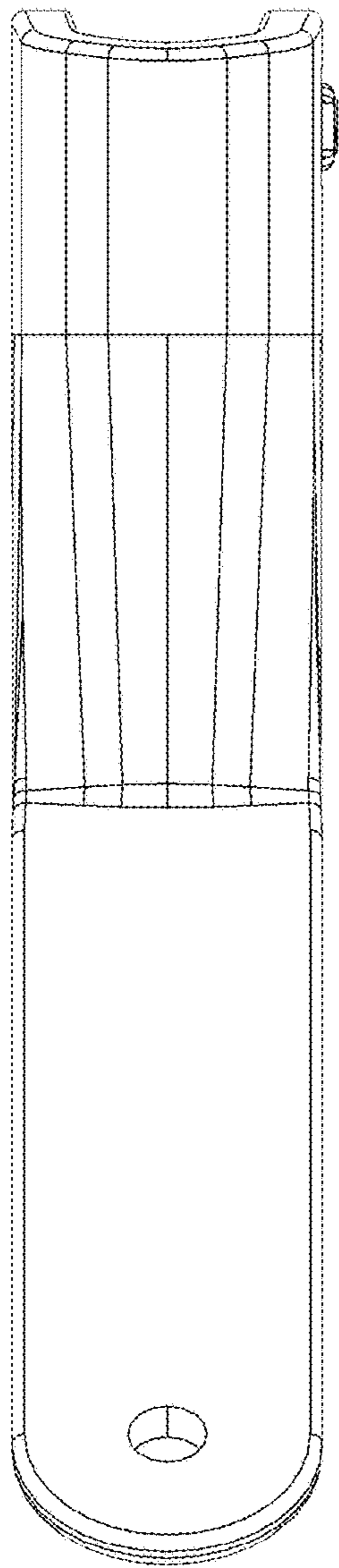


FIG. 3

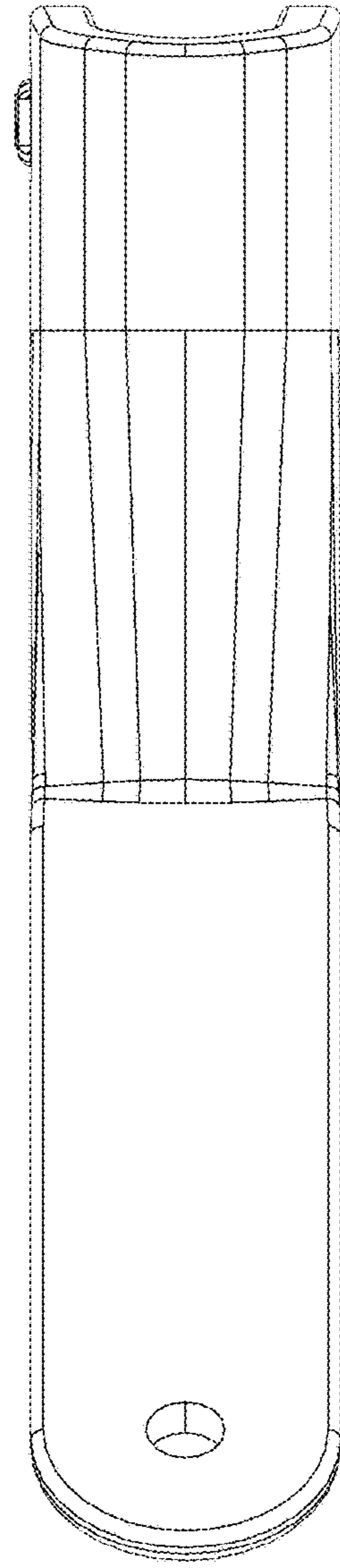


FIG. 4

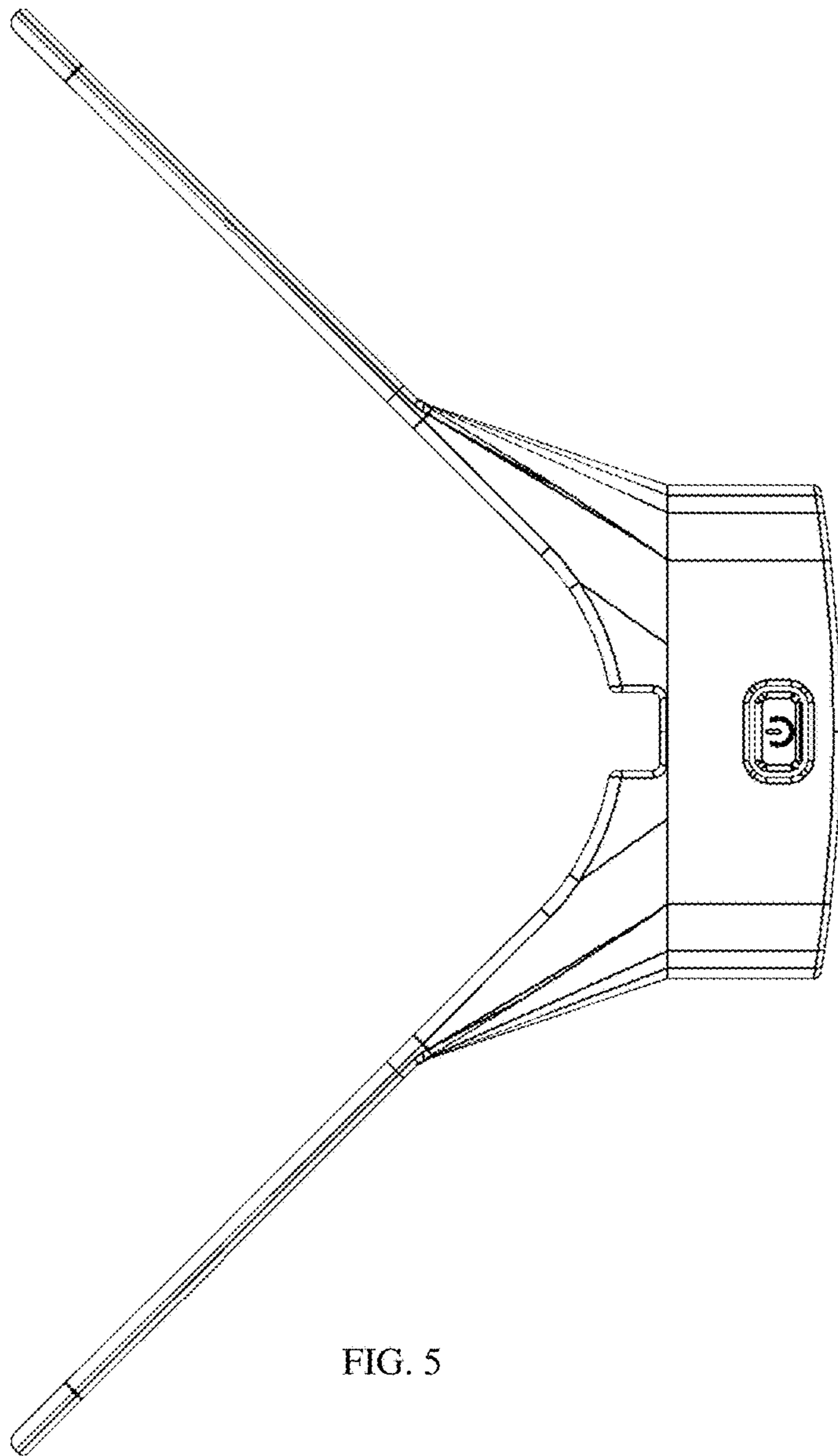


FIG. 5

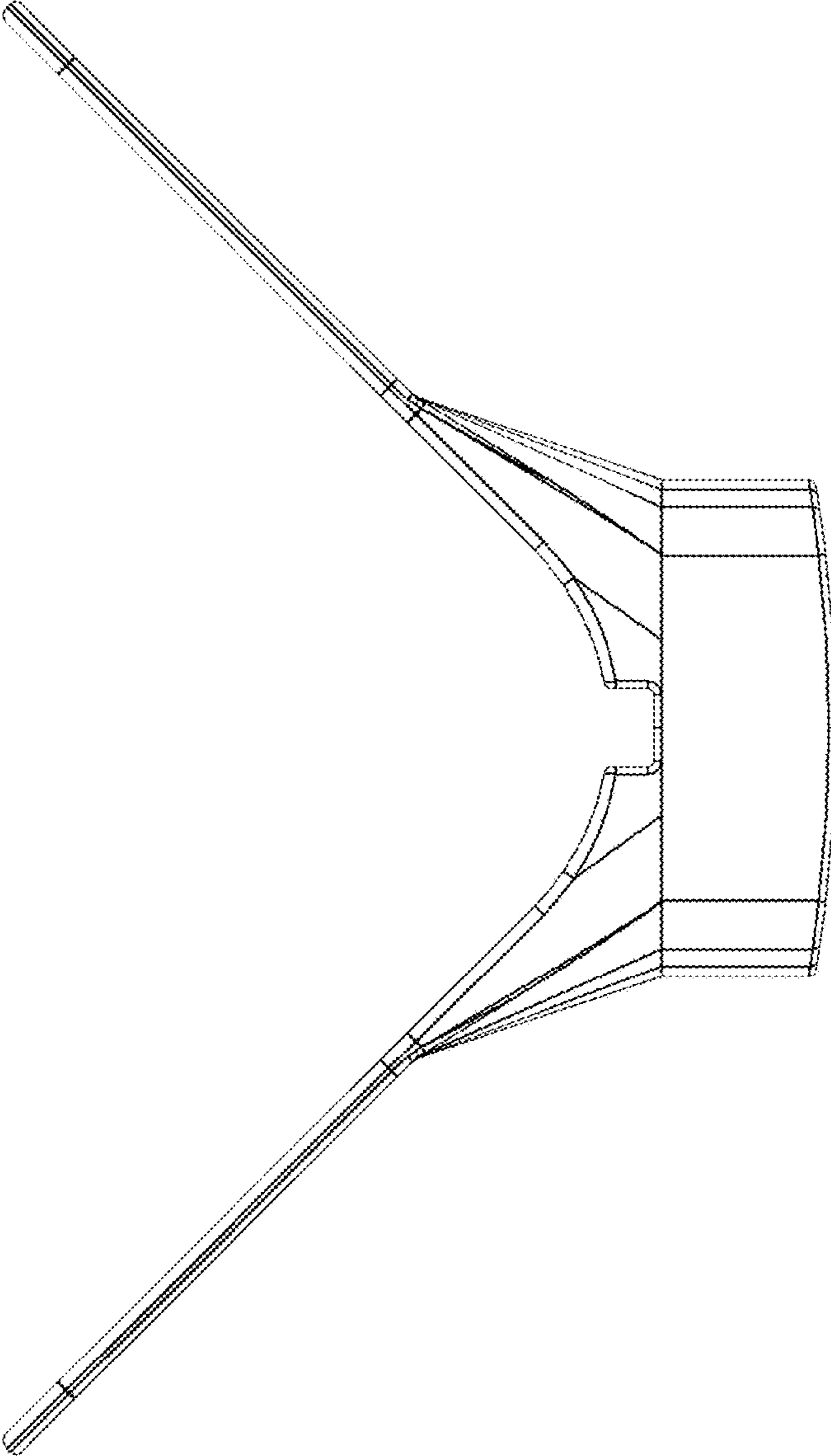


FIG. 6

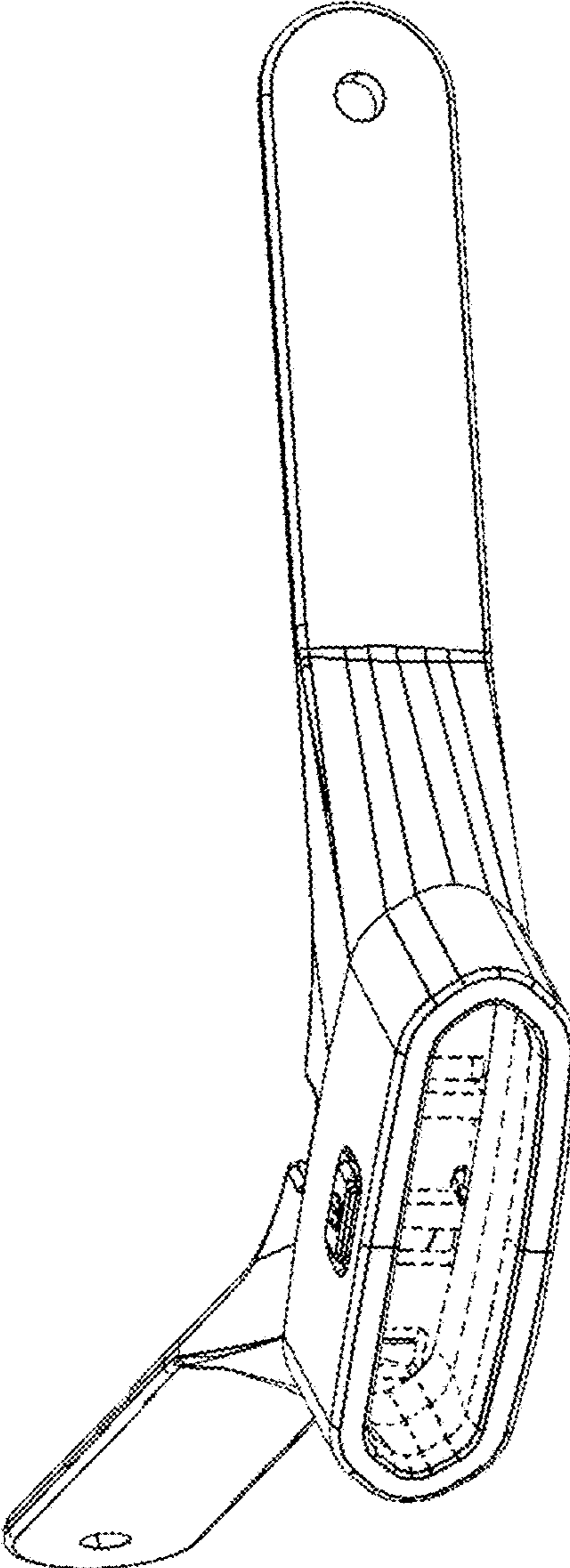


FIG. 7

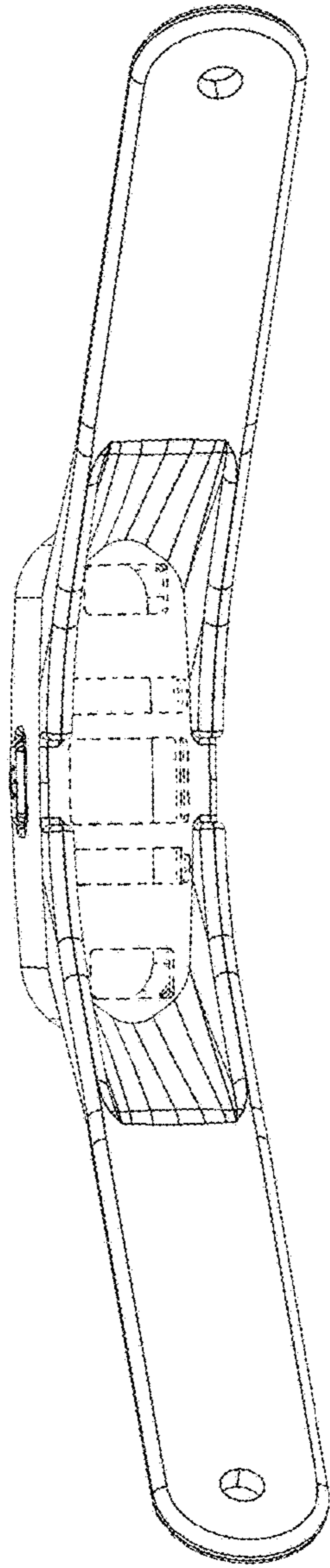


FIG. 8

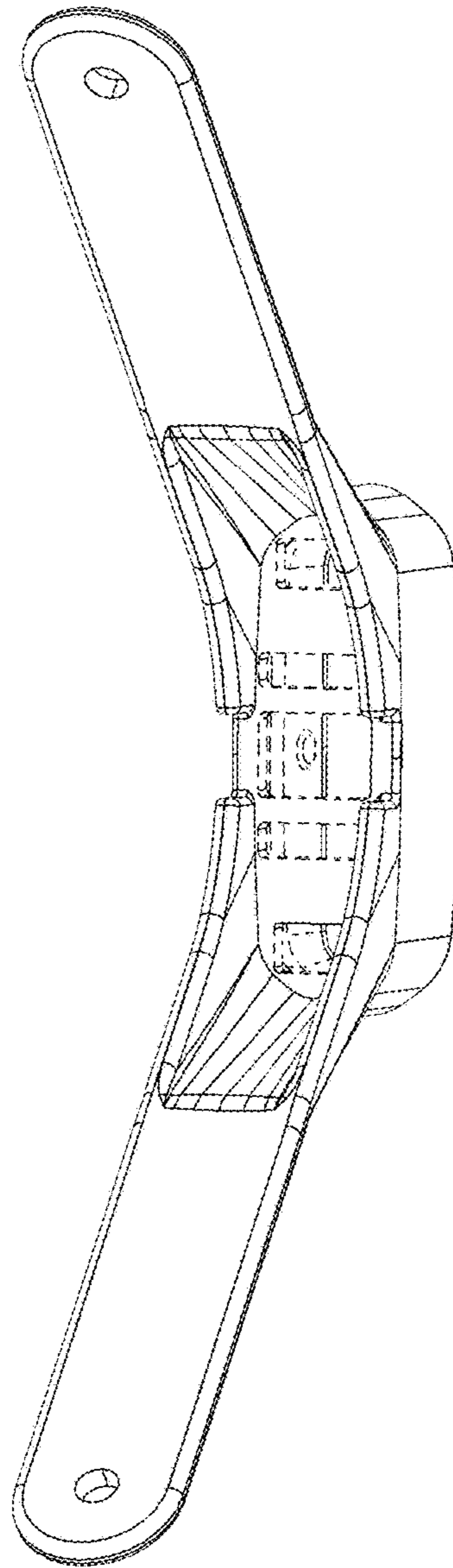


FIG. 9