



US00D860846S

(12) **United States Design Patent**  
**Wang Lee**

(10) **Patent No.:** **US D860,846 S**

(45) **Date of Patent:** **\*\* Sep. 24, 2019**

(54) **TRAFFIC CONE**

(71) Applicant: **Jeffrey Wang Lee**, Tainan (TW)

(72) Inventor: **Jeffrey Wang Lee**, Tainan (TW)

(\*\*) Term: **15 Years**

(21) Appl. No.: **29/633,906**

(22) Filed: **Jan. 17, 2018**

(51) **LOC (12) Cl.** ..... **10-05**

(52) **U.S. Cl.**  
USPC ..... **D10/113.2**

(58) **Field of Classification Search**  
USPC ..... D10/113.1, 113.2, 113.3, 113.4, 121;  
116/63 R; 404/9, 10, 11, 12, 13, 14, 15,  
404/16; 340/908.1; D3/273;  
362/249.02; D21/725, 753, 756, 398,  
D21/461, 468, 471, 472, 479; D30/160;  
D1/120, 127, 128, 129; D9/695, 699,  
D9/766, 773, 776, 516, 522, 523, 530,  
D9/562, 434, 435, 442, 445, 452;  
D11/131, 140, 143, 144, 151, 152, 164  
CPC ..... E01F 9/688; E01F 9/011  
See application file for complete search history.

(56) **References Cited**

**U.S. PATENT DOCUMENTS**

D348,412 S \* 7/1994 Hazelton ..... D10/113.2  
D358,111 S \* 5/1995 Gregory ..... D10/113.2  
D435,724 S \* 1/2001 Huang ..... D10/113.1  
D442,874 S \* 5/2001 Brown ..... D10/113.3  
6,338,311 B1 \* 1/2002 Ho ..... E01F 9/688  
116/63 C  
D476,709 S \* 7/2003 Nguyen ..... D21/753

D521,092 S \* 5/2006 Morales ..... D21/725  
D579,157 S \* 10/2008 Edwards ..... D21/707  
D704,585 S \* 5/2014 Kuo ..... D10/113.2  
9,689,123 B2 \* 6/2017 Chi ..... E01F 9/654  
D822,314 S \* 7/2018 Coppola ..... D1/120  
D824,512 S \* 7/2018 Laliberte ..... D24/112  
10,094,080 B2 \* 10/2018 Utz ..... E01F 9/654

**OTHER PUBLICATIONS**

Available Jul. 5, 2018, [online], [site visited Feb. 23, 2019].  
Available from Internet, <URL:https://www.turbosquid.com/3d-models/traffic-cone-reflective-3d-model-1303616> (Year: 2018).\*

\* cited by examiner

*Primary Examiner* — Cathron C Brooks  
*Assistant Examiner* — Katrina N Gonzalez  
(74) *Attorney, Agent, or Firm* — WPAT, PC

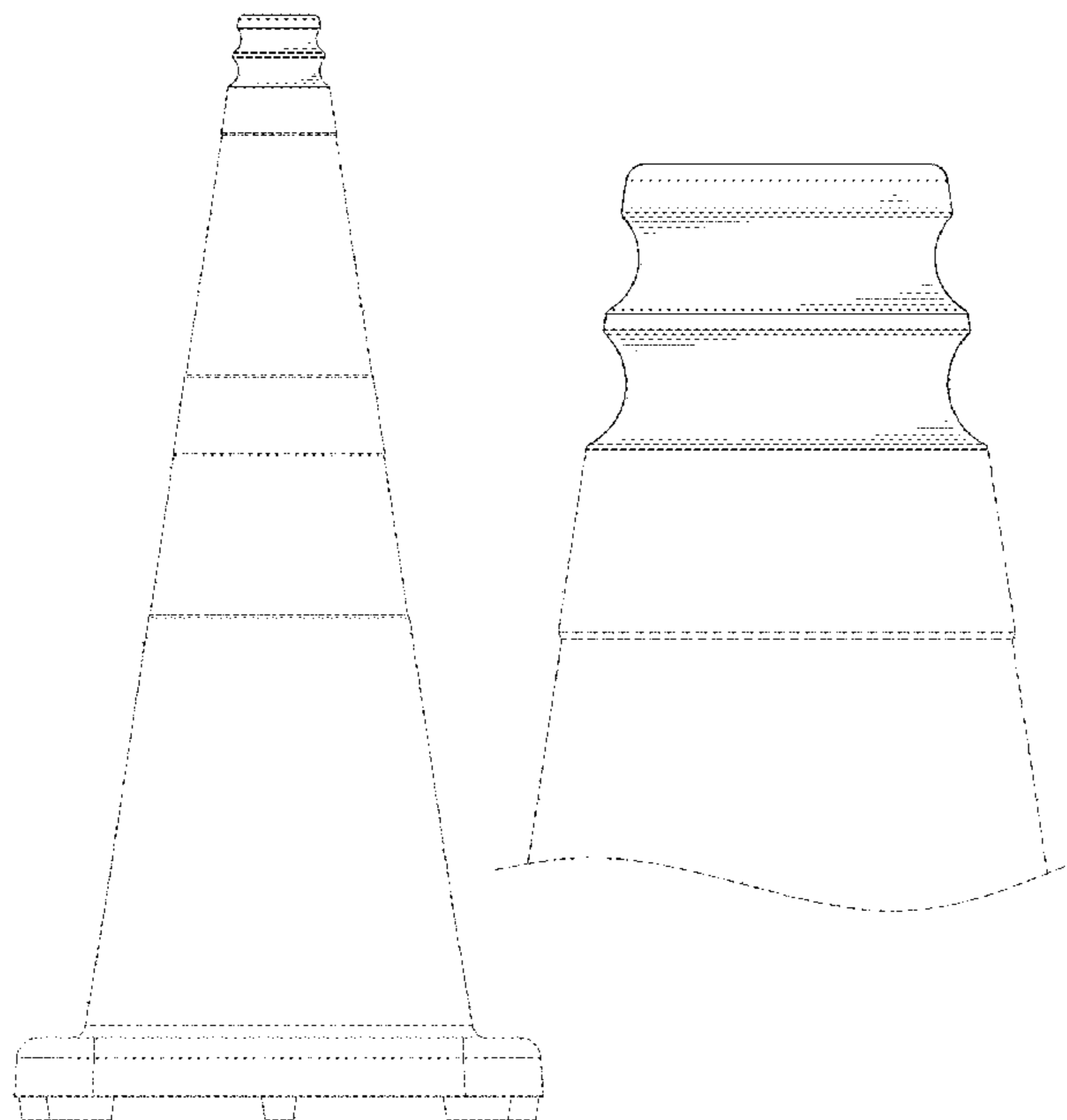
(57) **CLAIM**

The ornamental design for a traffic cone, as shown and described.

**DESCRIPTION**

FIG. 1 is a perspective view of a traffic cone showing my new design;  
FIG. 2 is a front view thereof;  
FIG. 3 is a rear view thereof;  
FIG. 4 is a left side view thereof;  
FIG. 5 is a right side view thereof;  
FIG. 6 is a top view thereof;  
FIG. 7 is a bottom view thereof;  
FIG. 8 is an enlarged perspective view thereof; and,  
FIG. 9 is an enlarged front view thereof.  
The broken lines illustrate portions of the traffic cone that form no part of the claimed design.

**1 Claim, 9 Drawing Sheets**



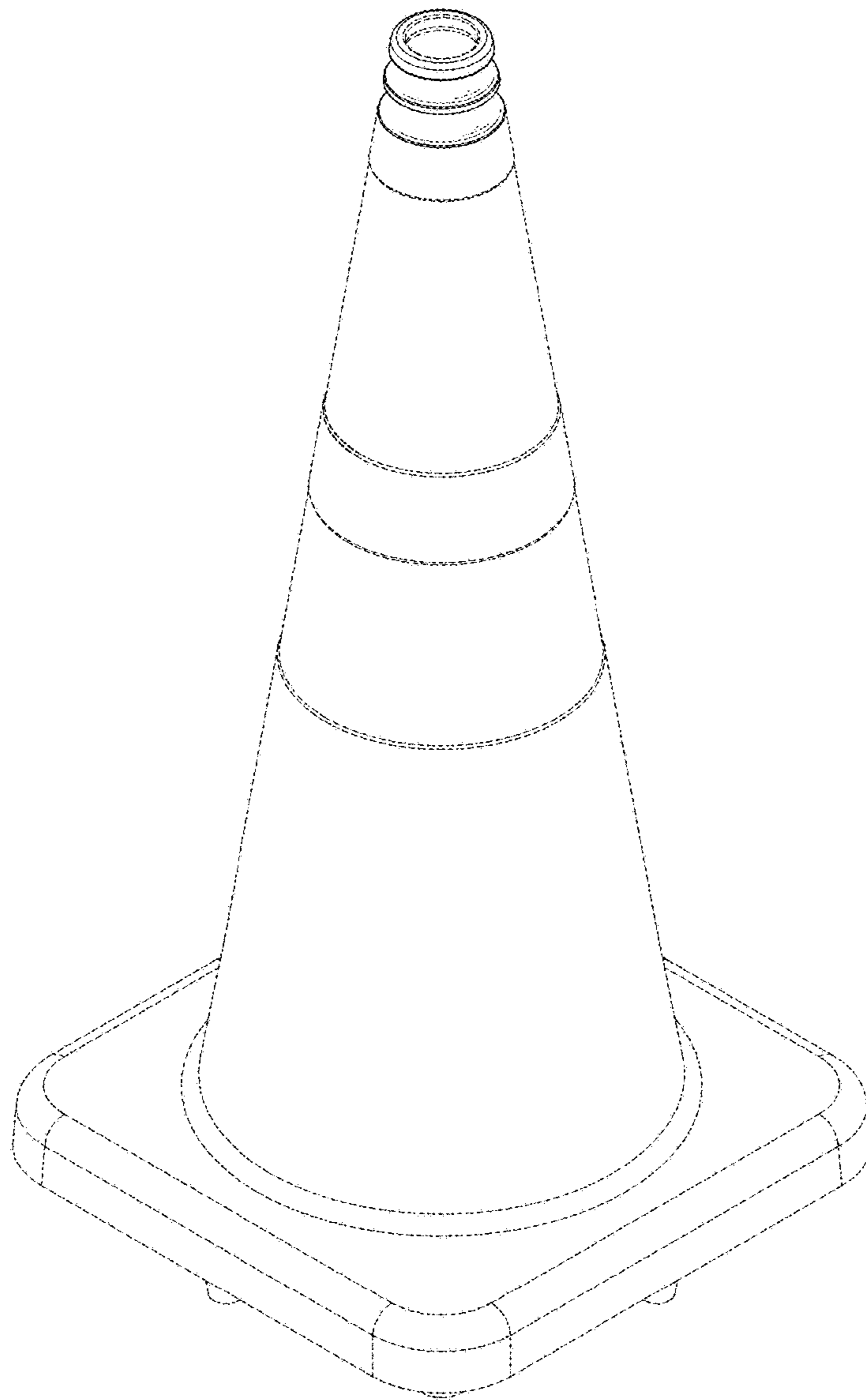


FIG. 1

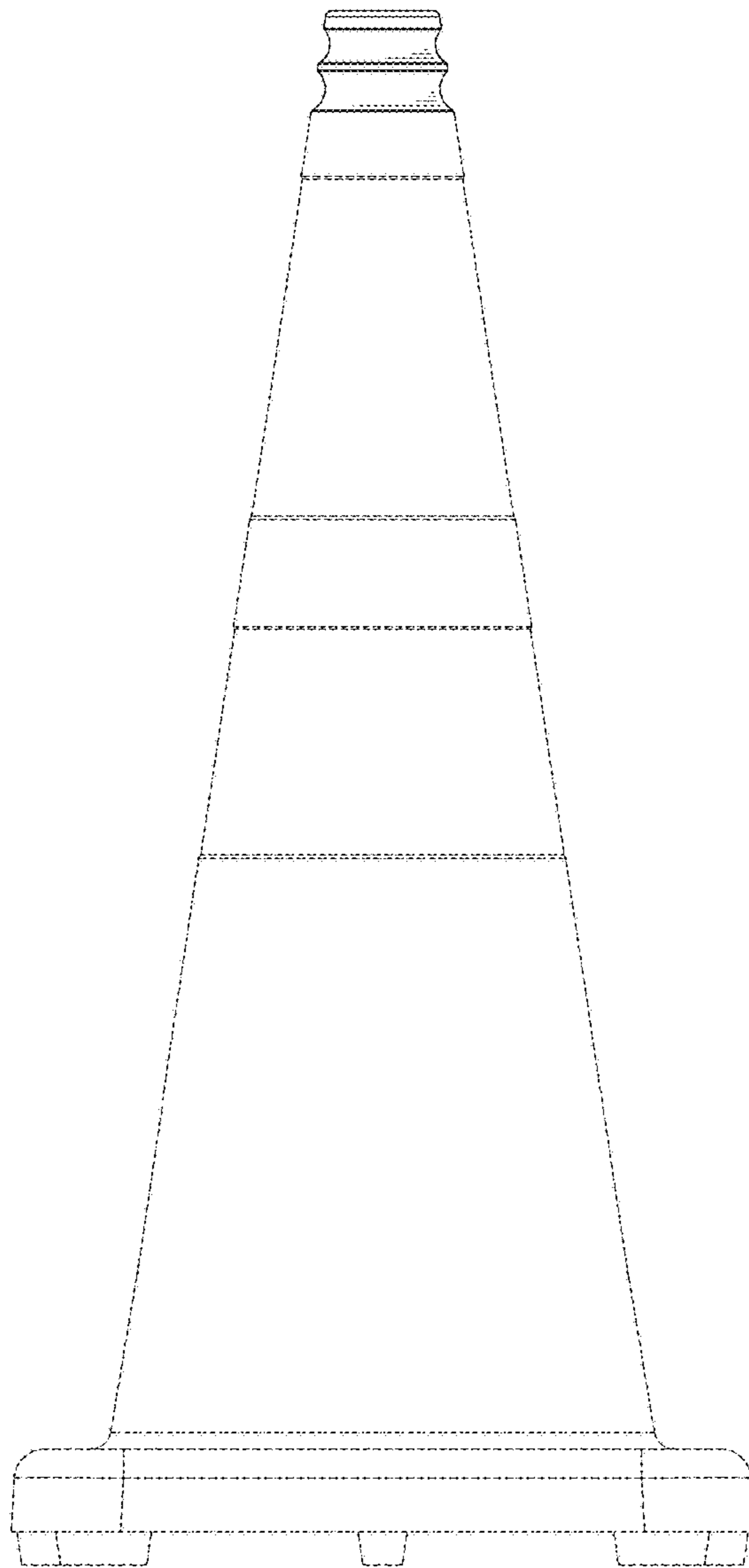


FIG. 2

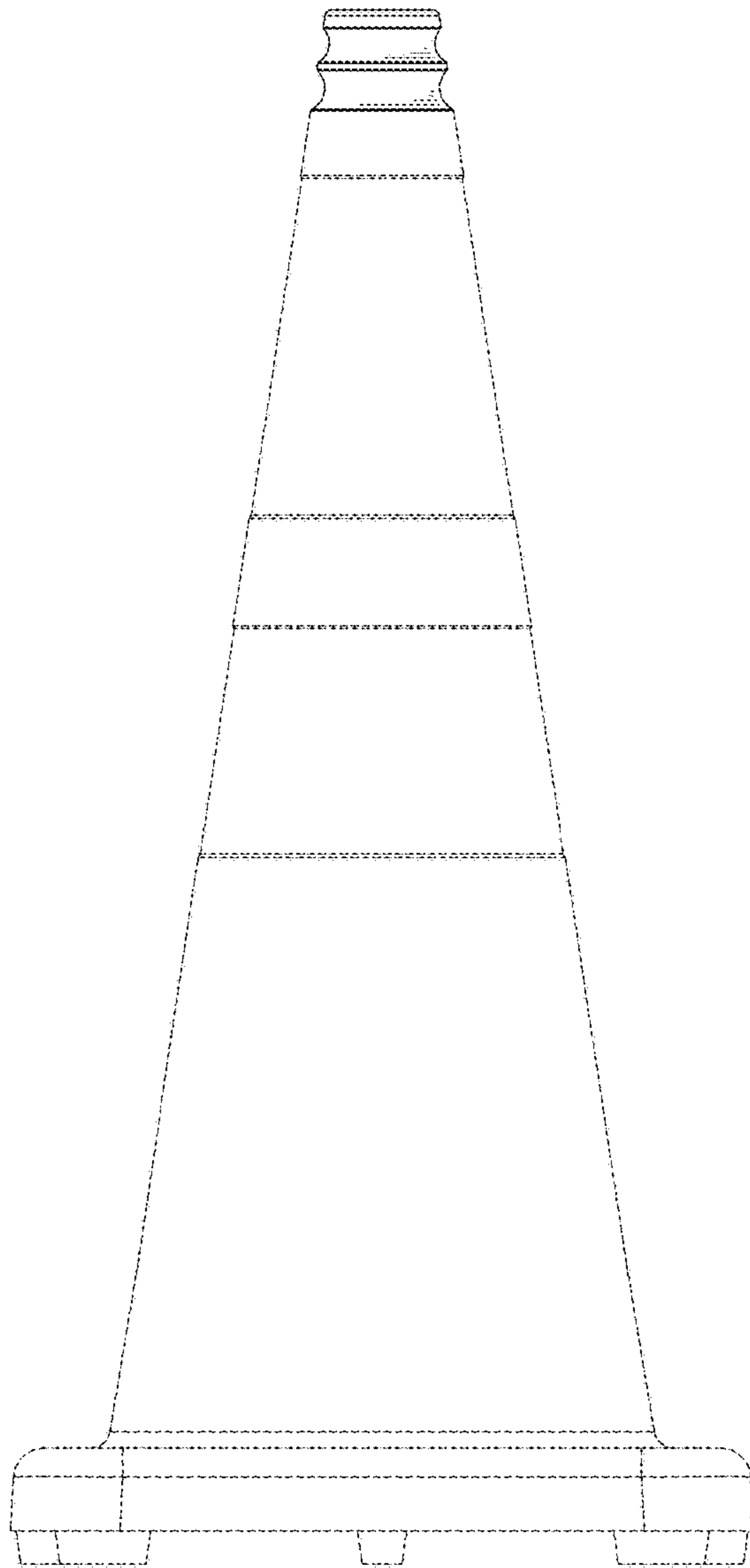


FIG. 3

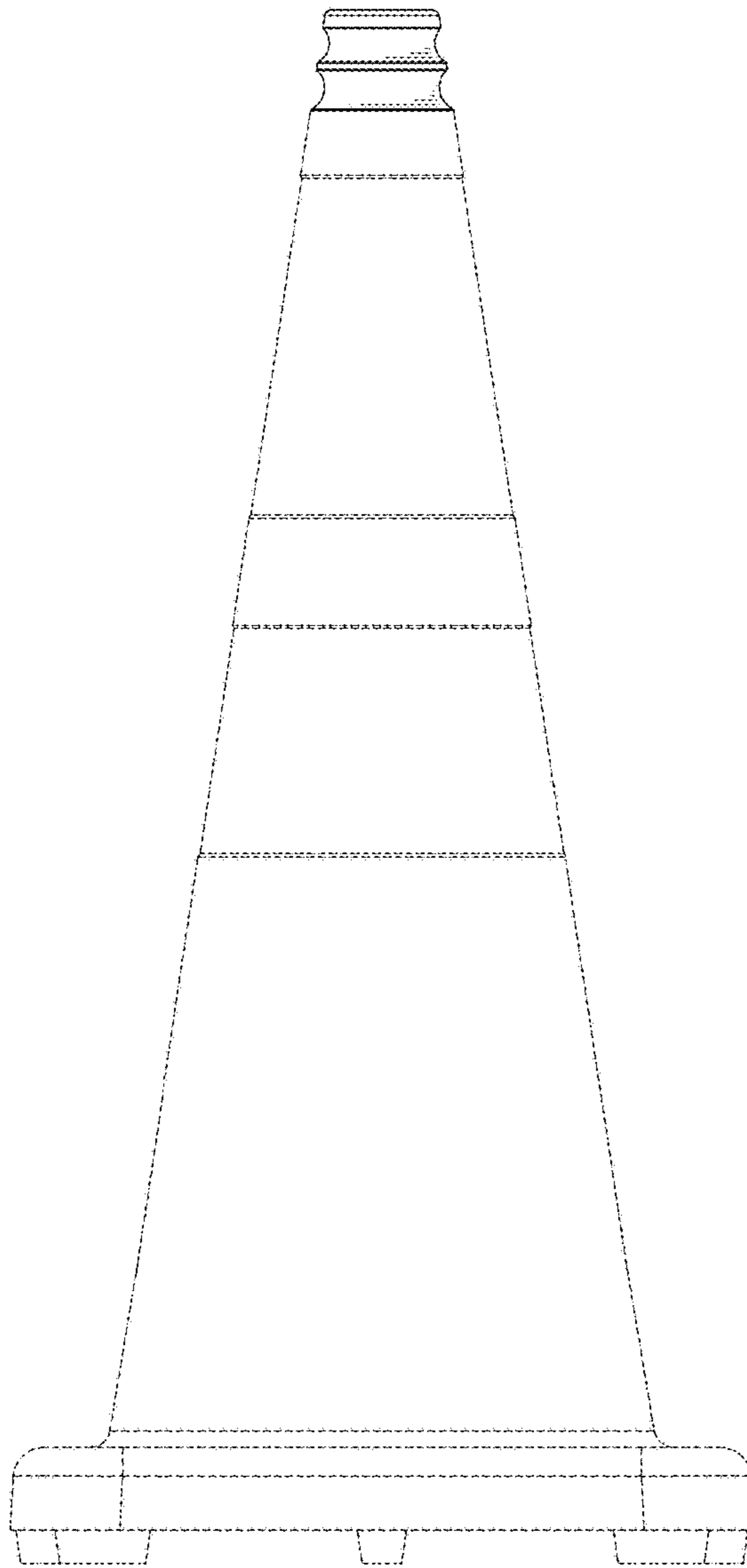


FIG. 4

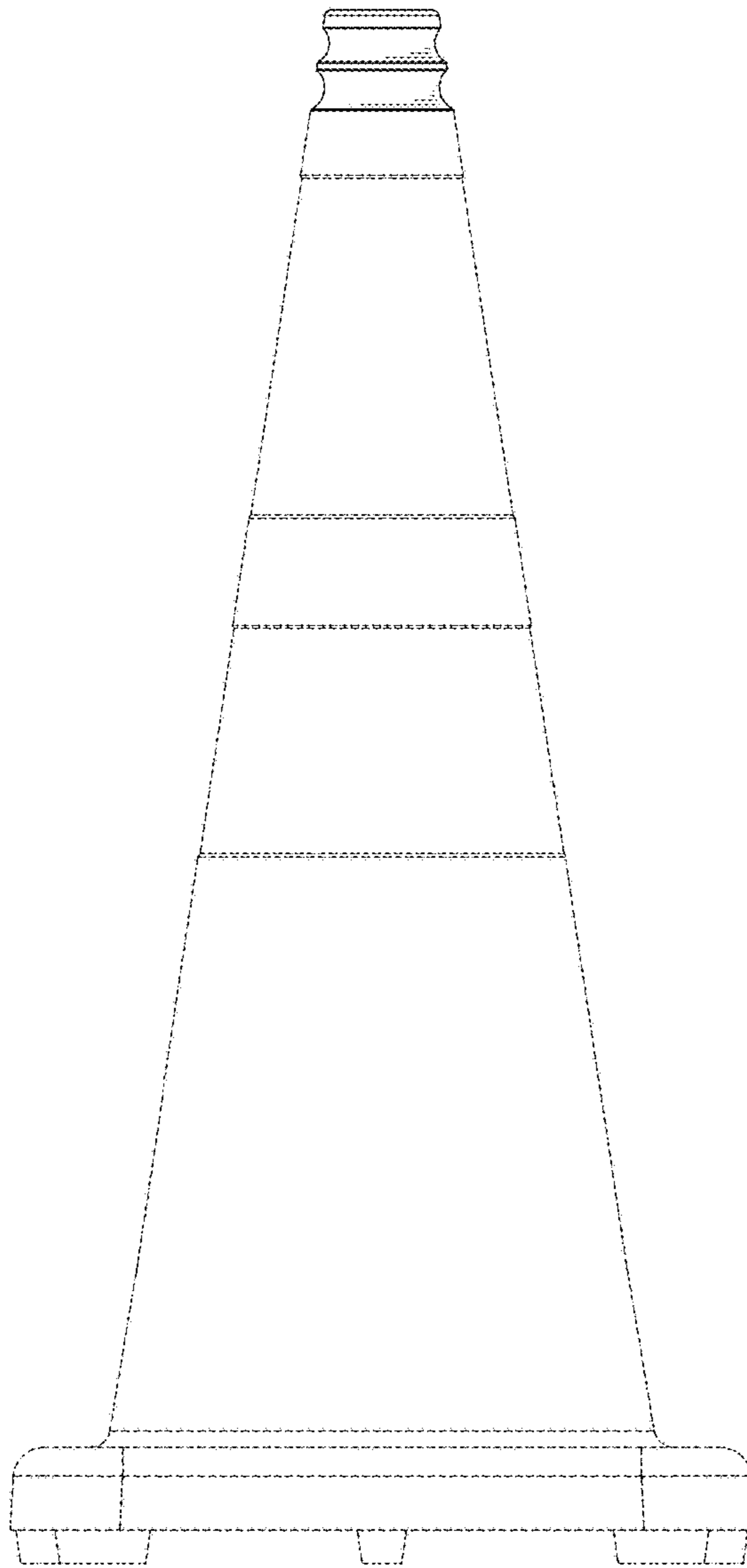


FIG. 5

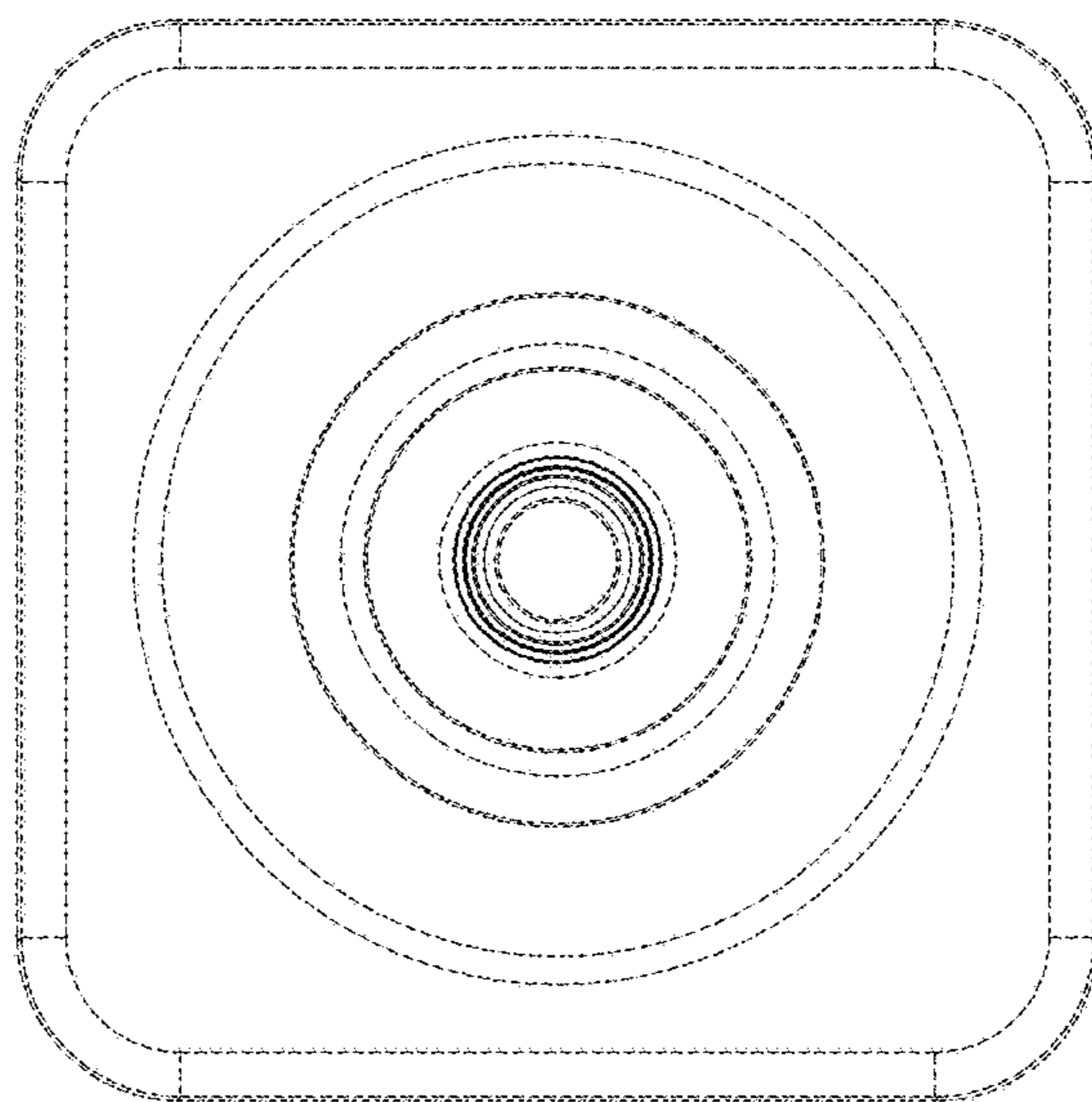


FIG. 6

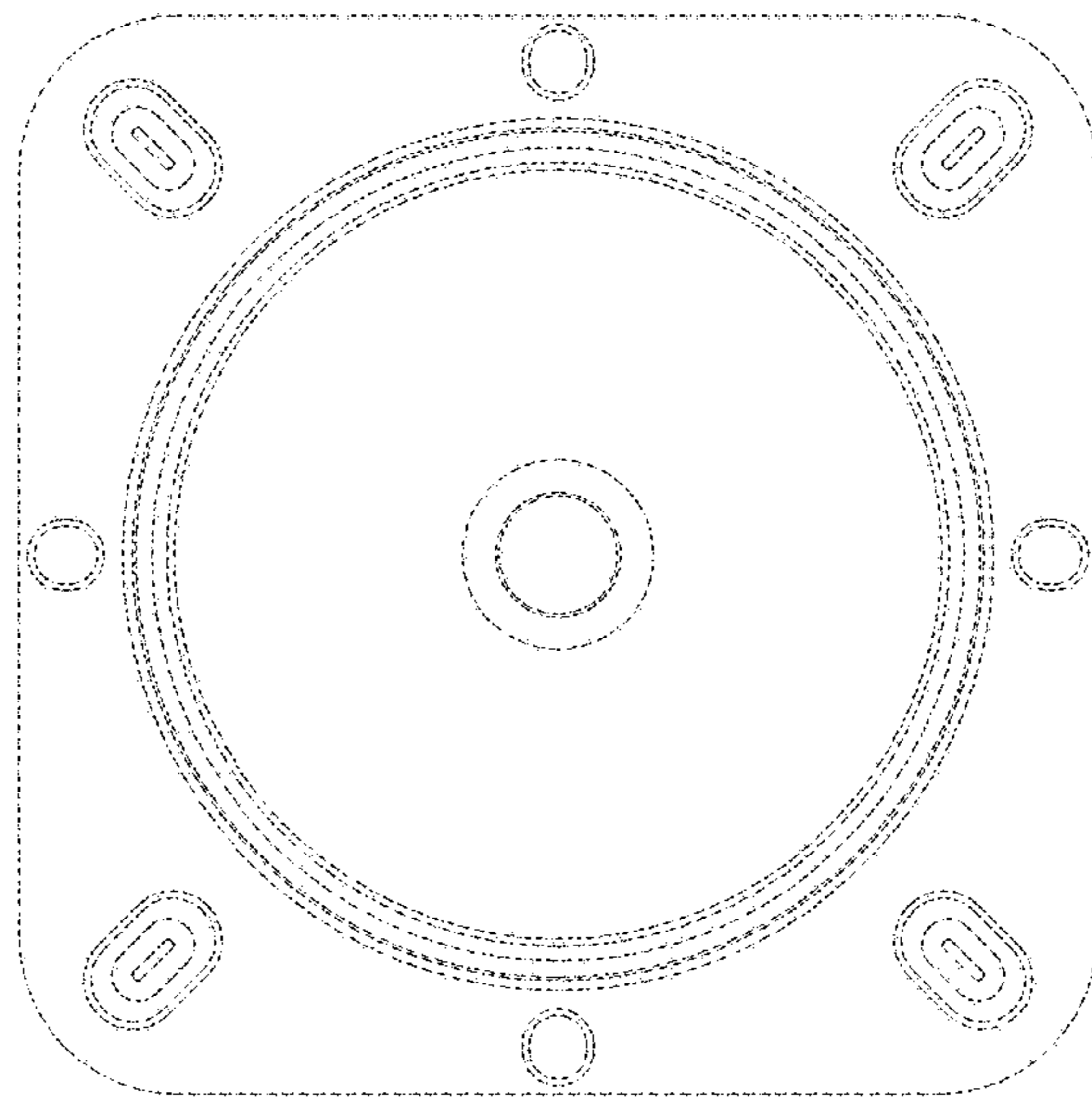


FIG. 7



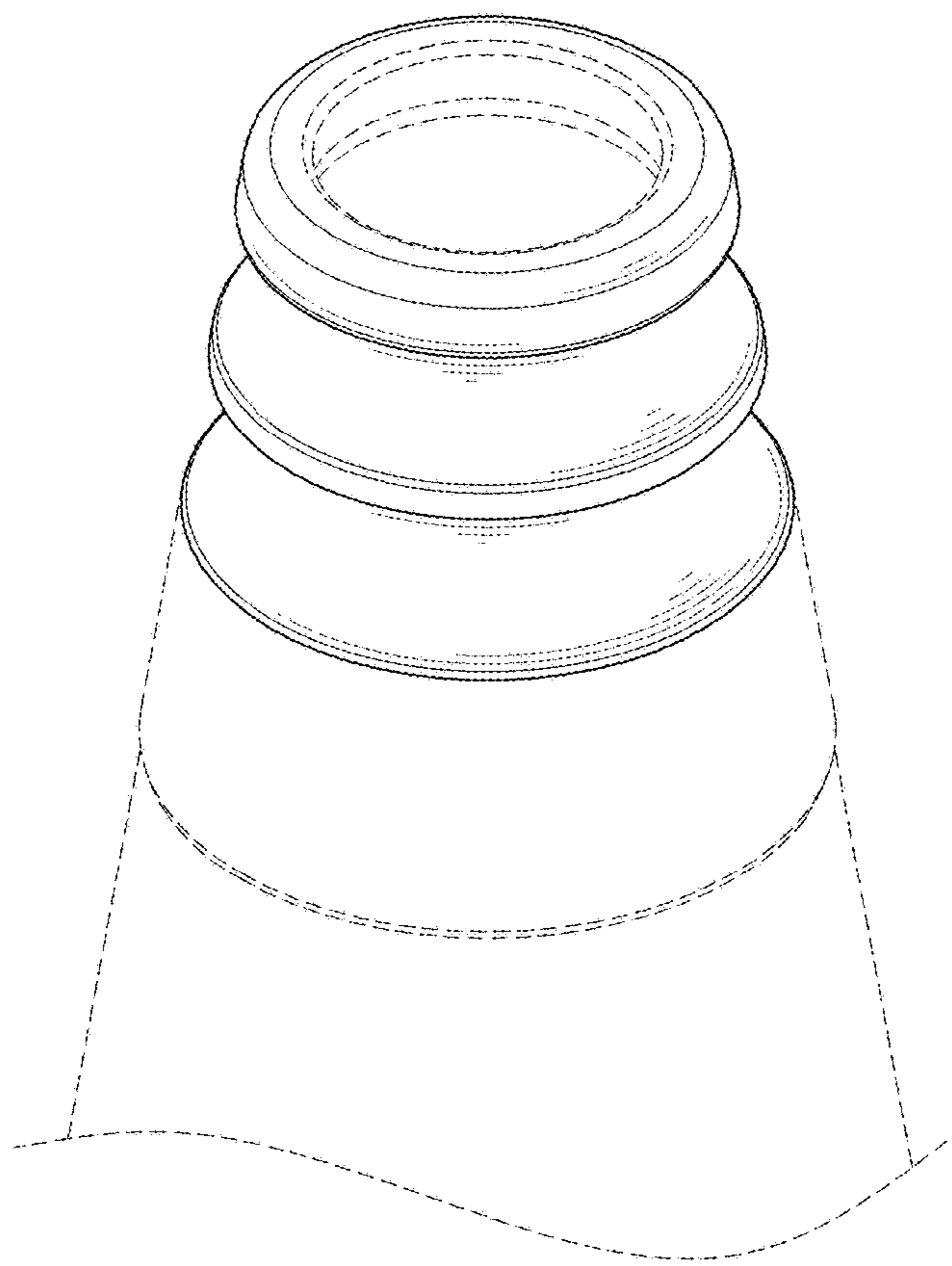


FIG. 8

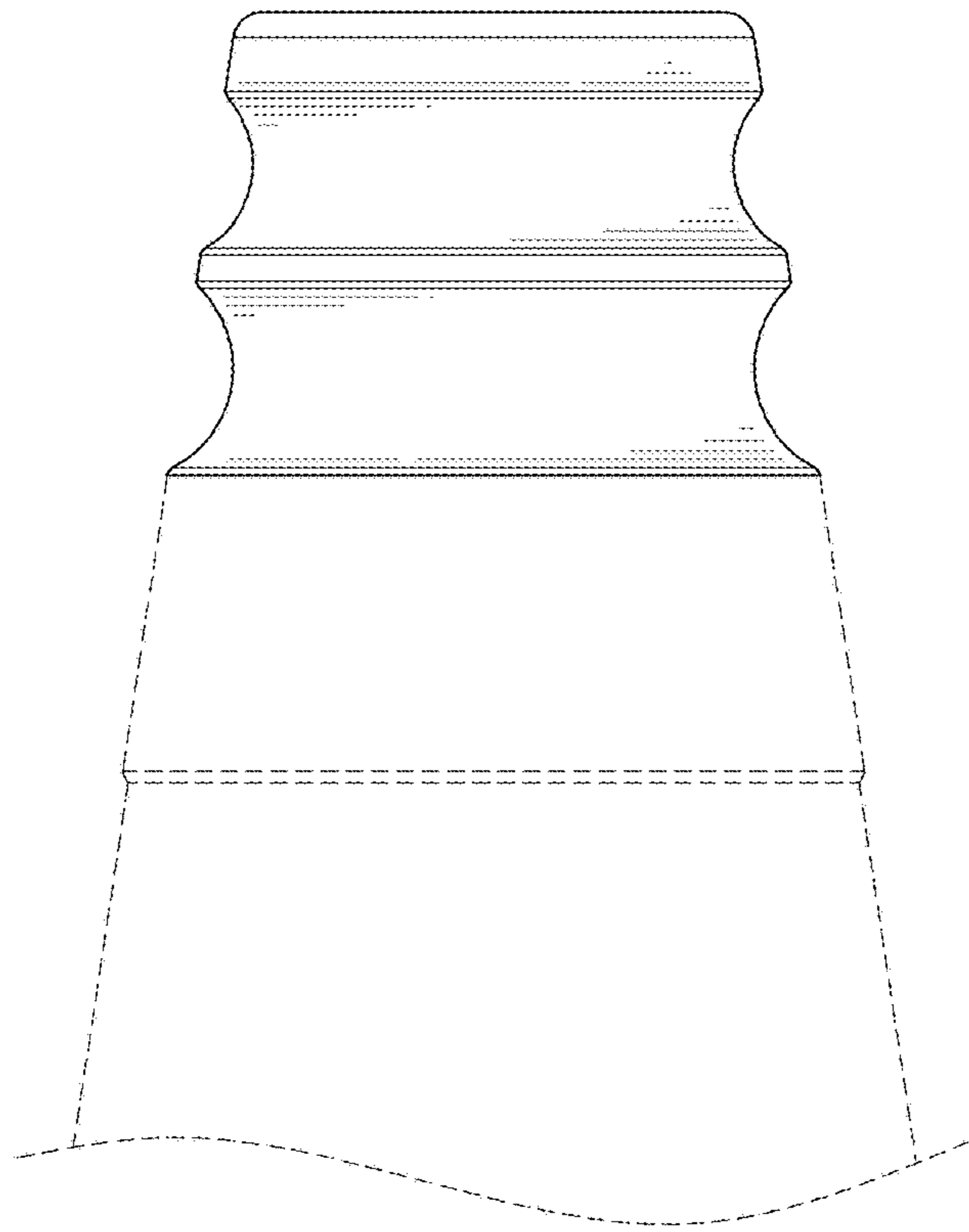


FIG. 9