



US00D860844S

(12) **United States Design Patent** (10) **Patent No.:** **US D860,844 S**
Andres (45) **Date of Patent:** **** Sep. 24, 2019**

(54) **LEAK SEAL WITH MARKER**

(71) Applicant: **James Joseph Andres**, Clarence, NY (US)

(72) Inventor: **James Joseph Andres**, Clarence, NY (US)

(**) Term: **15 Years**

(21) Appl. No.: **29/545,255**

(22) Filed: **Nov. 11, 2015**

(51) **LOC (12) Cl.** **10-05**

(52) **U.S. Cl.**
USPC **D10/109.1**

(58) **Field of Classification Search**

USPC D10/104.1, 104.2, 105, 106.1, 106.2, D10/106.3, 106.4, 106.5, 106.6, 106.7, D10/106.8, 106.9, 106.91, 106.92, 106.93, D10/106.94, 106.95, 107, 108, 109.1, D10/109.2, 110, 111, 112, 113.1, 113.2, D10/113.3, 113.4, 114.1, 114.2, 114.3, D10/114.4, 114.5, 114.6, 114.7, 114.8, D10/114.9, 115, 116.1, 117, 118, 118.1, D10/118.2, 119.1, 119.2, 119.3, 119.4, D10/120, 121, 46; D25/48.1, 48.2, 48.4, D25/48.8; D8/16, 19, 30, 60, 349, 382, D8/383, 396, 400, 499; D23/227, 233, D23/235, 249, 259, 266, 386, 393
CPC E04B 1/6812; E04B 1/62; E04B 1/6801; E04B 1/6804; E04B 1/681; E04B 1/948
See application file for complete search history.

(56) **References Cited**

U.S. PATENT DOCUMENTS

3,144,507 A * 8/1964 Scadron H01R 4/00
174/76
D297,454 S * 8/1988 Walton D23/307
D306,900 S * 3/1990 Walton D23/307
5,553,854 A * 9/1996 Rum A63F 3/00097
273/267
D424,960 S * 5/2000 Greene D10/109.1

(Continued)

OTHER PUBLICATIONS

Available May 15, 2018, [online], [site visited May 15, 2018]. Available from Internet, URL: <http://www.ecever.com/battery-pull-tab-adhesive-sticker-for-iphone-4-4s-replacement.html> (Year: 2018).*

(Continued)

Primary Examiner — Cathron C Brooks

Assistant Examiner — Katrina N Gonzalez

(74) *Attorney, Agent, or Firm* — Vincent G. LoTempio; Kloss, Stenger & LoTempio; David T. Stephenson

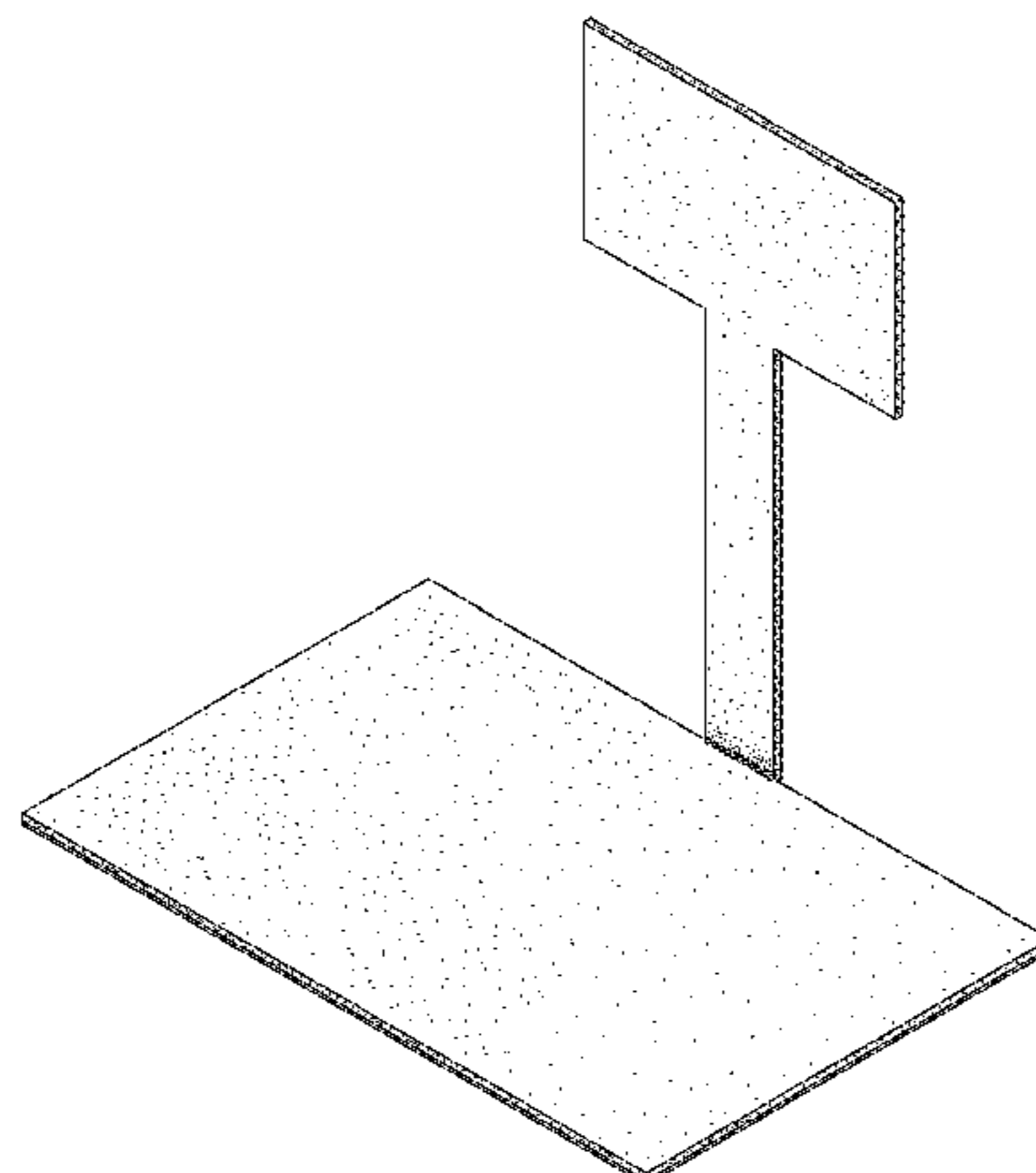
(57) **CLAIM**

The ornamental design for a leak seal with marker, as shown and described.

DESCRIPTION

FIG. 1 is a perspective view of the leak seal with marker showing my new design wherein flag portion is positioned up;
FIG. 2 is a front view of my design wherein flag portion is positioned up;
FIG. 3 is a rear view of my design wherein flag portion is positioned up;
FIG. 4 is a right side view of my design wherein flag portion is positioned up;
FIG. 5 is a left side view of my design wherein flag portion is positioned up;
FIG. 6 is a top view of my design wherein flag portion is positioned up;
FIG. 7 is a bottom view of my design wherein flag portion is positioned up;
FIG. 8 is a top view of my design wherein flag portion is positioned down; and,
FIG. 9 is a bottom view of my design wherein flag portion is positioned down.

1 Claim, 5 Drawing Sheets



(56)

References Cited

U.S. PATENT DOCUMENTS

D456,294 S * 4/2002 McDonald D10/109.1
D458,111 S * 6/2002 Petri D8/349
D729,611 S * 5/2015 Schmidt D8/349

OTHER PUBLICATIONS

Available May 22, 2015, [online], [site visited May 26, 2018].
Available from Internet, URL:<https://web.archive.org/web/20150522134110/https://hivemodern.com/pages/product1435/eames-molded-dining-chair-herman-miller-dcw> (Year: 2015).*

Available May 23, 2016, [online], [site visited Dec. 7, 2018].
Available from Internet, URL:<http://www.roofingmagazine.com/seal-flag-breaches-inspection/> (Year: 2016).*

* cited by examiner

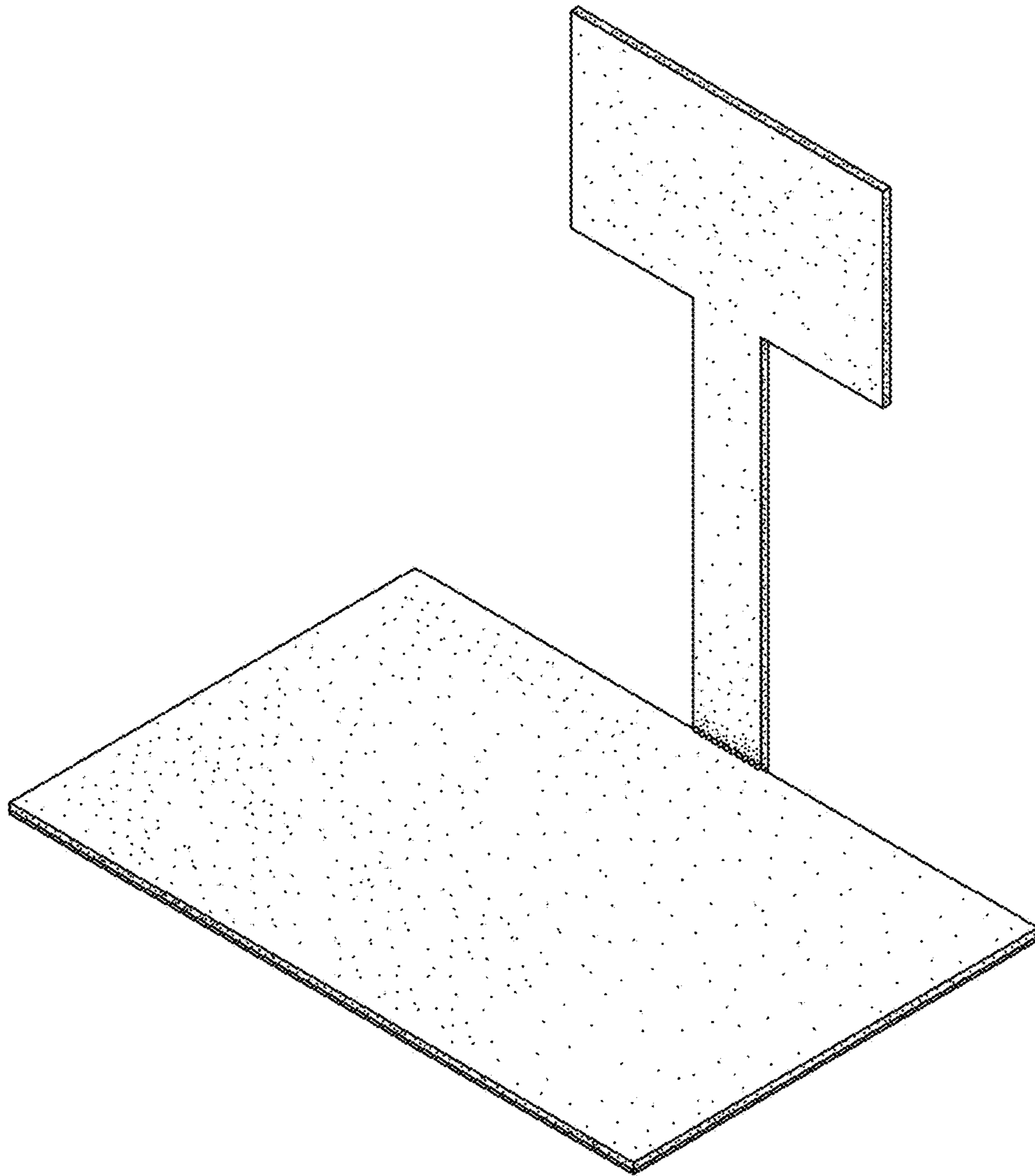


FIG. 1

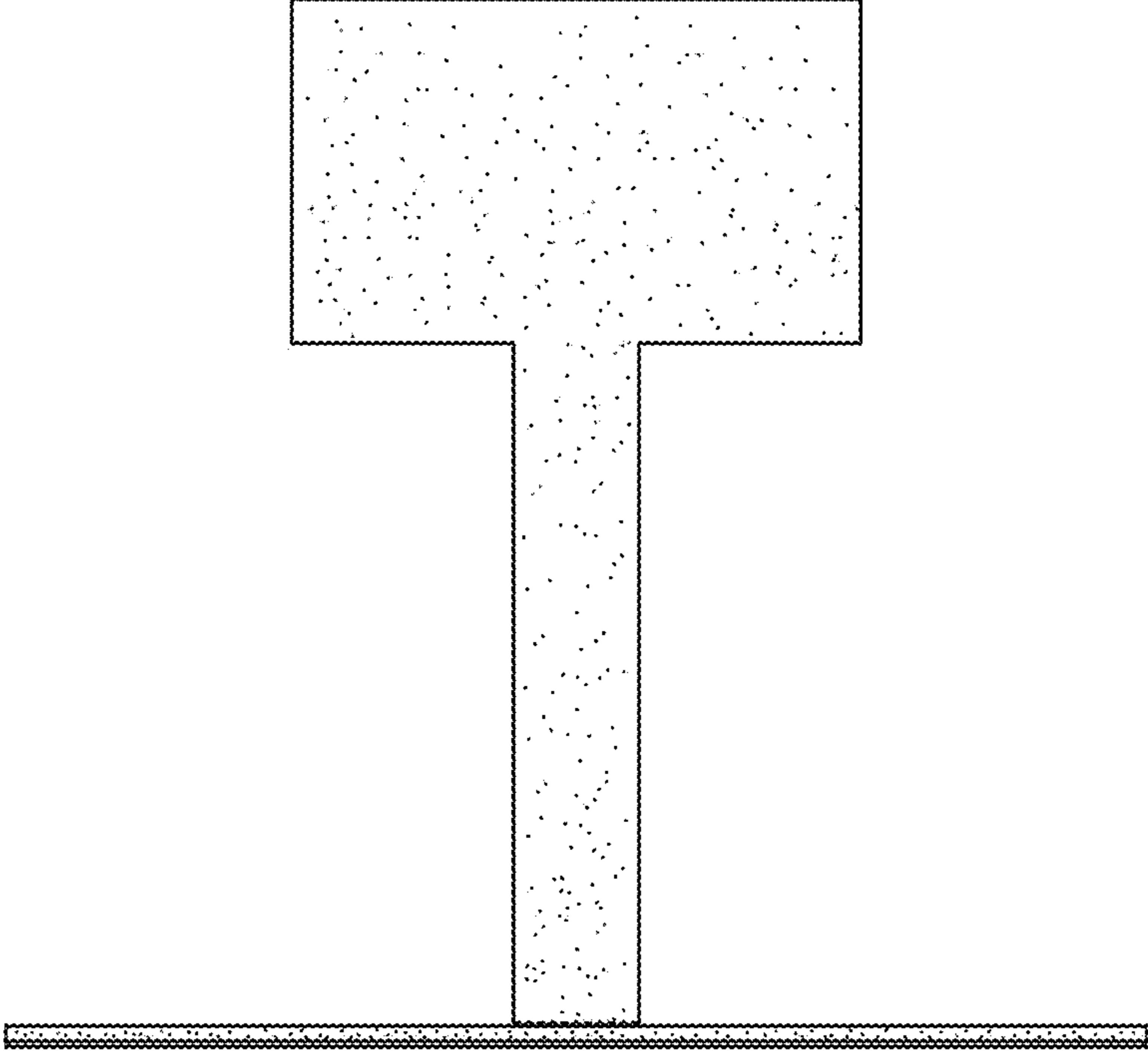


FIG. 2

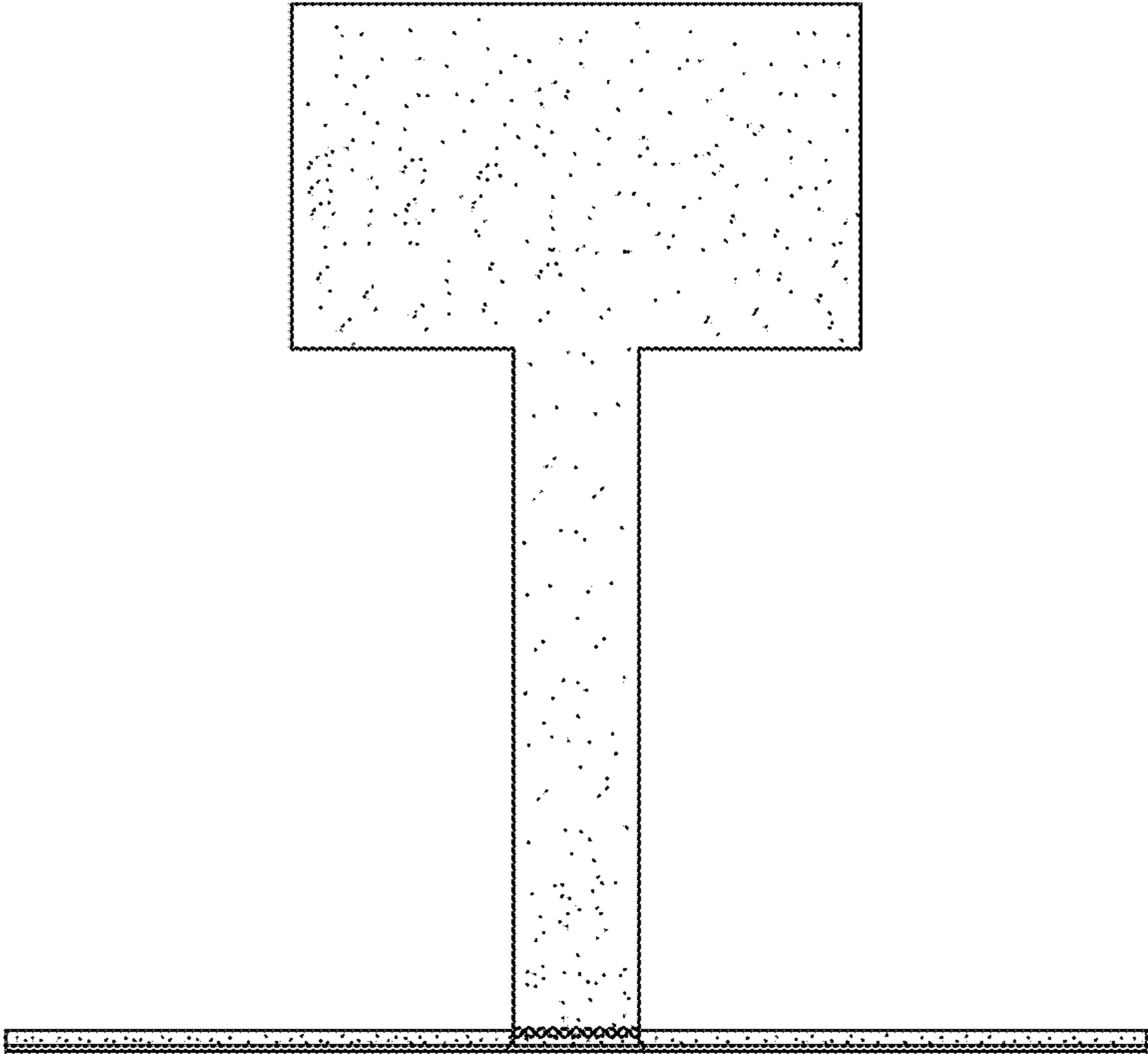


FIG. 3

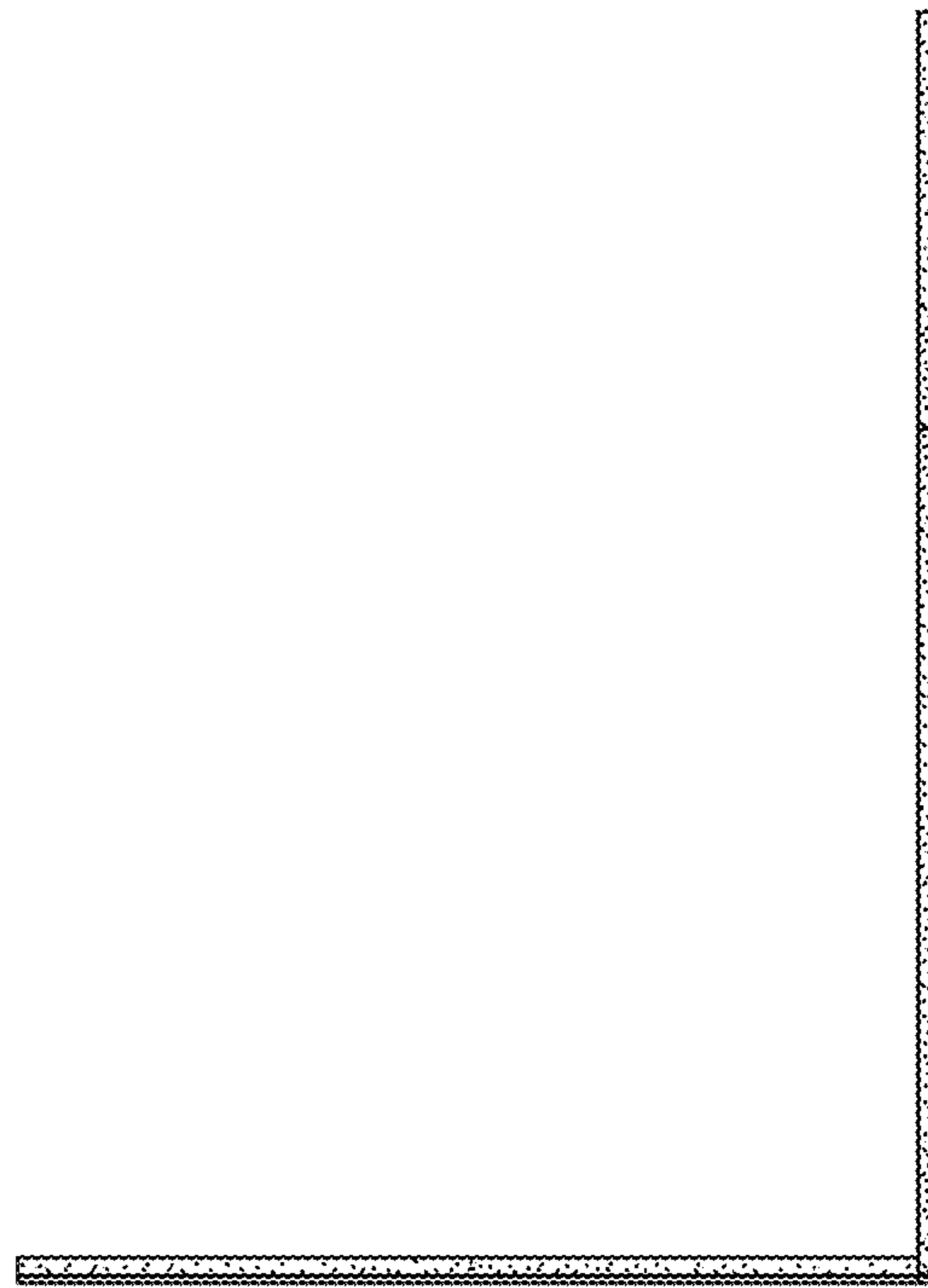


FIG. 4

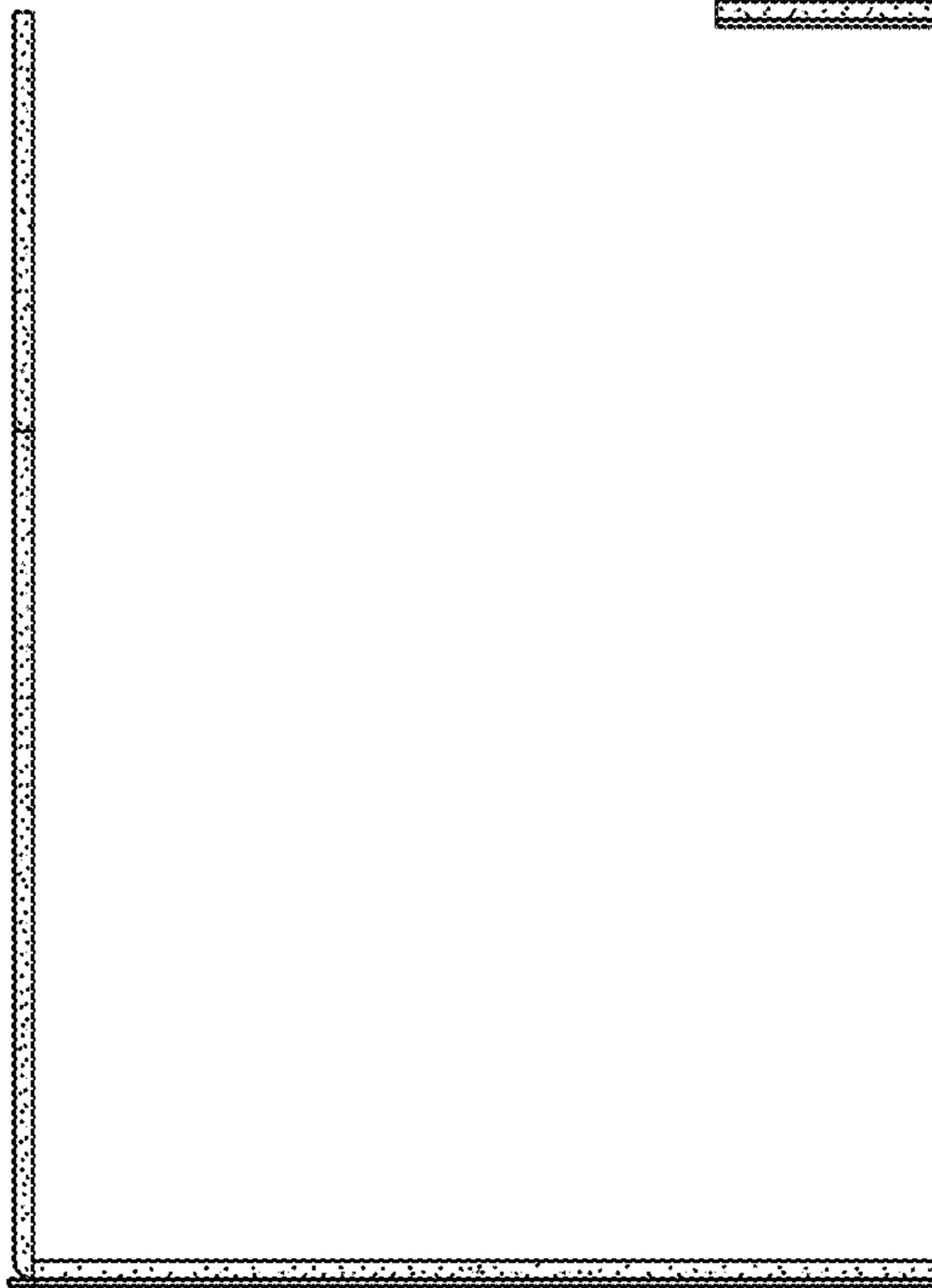


FIG. 5

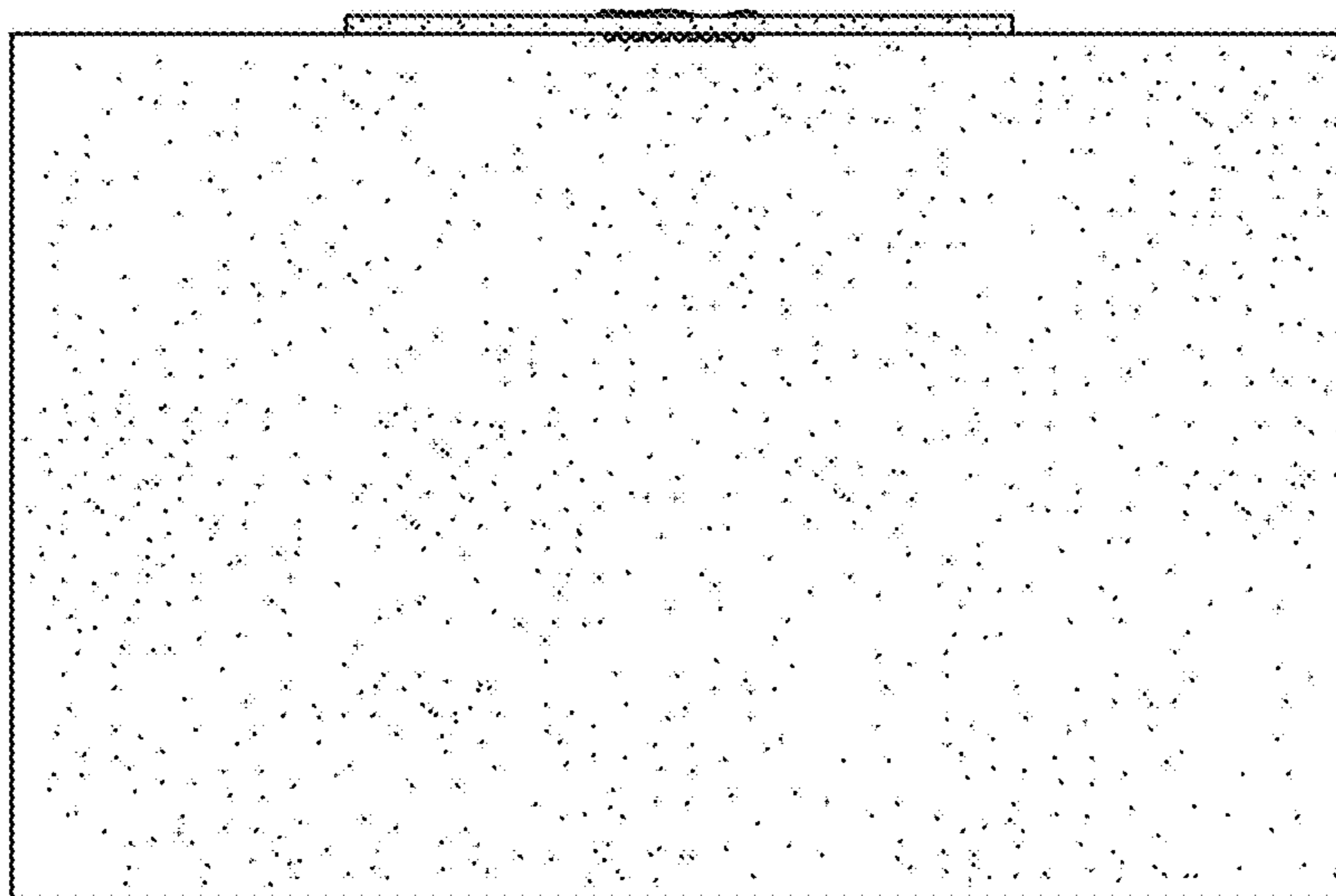


FIG. 6

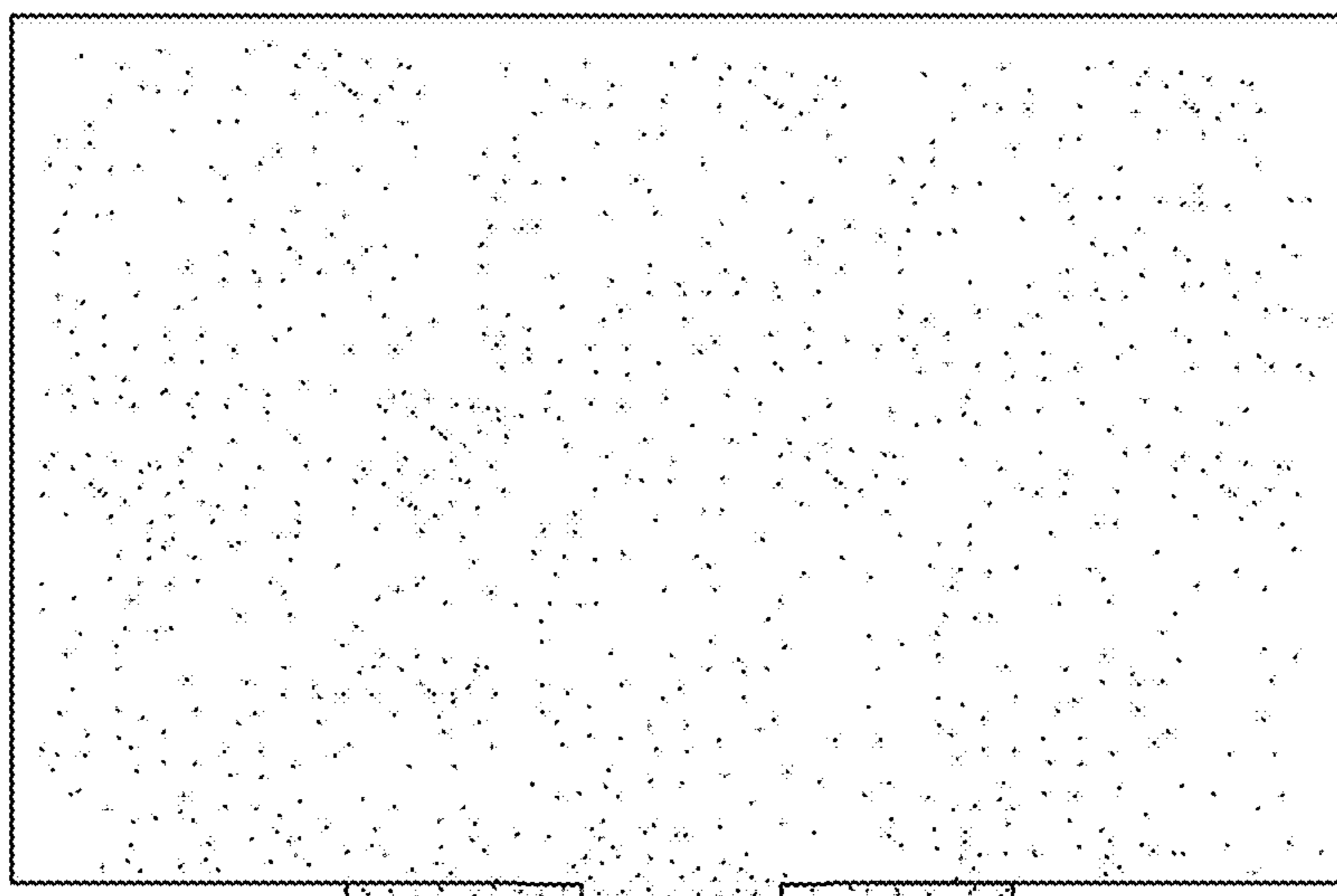


FIG. 7

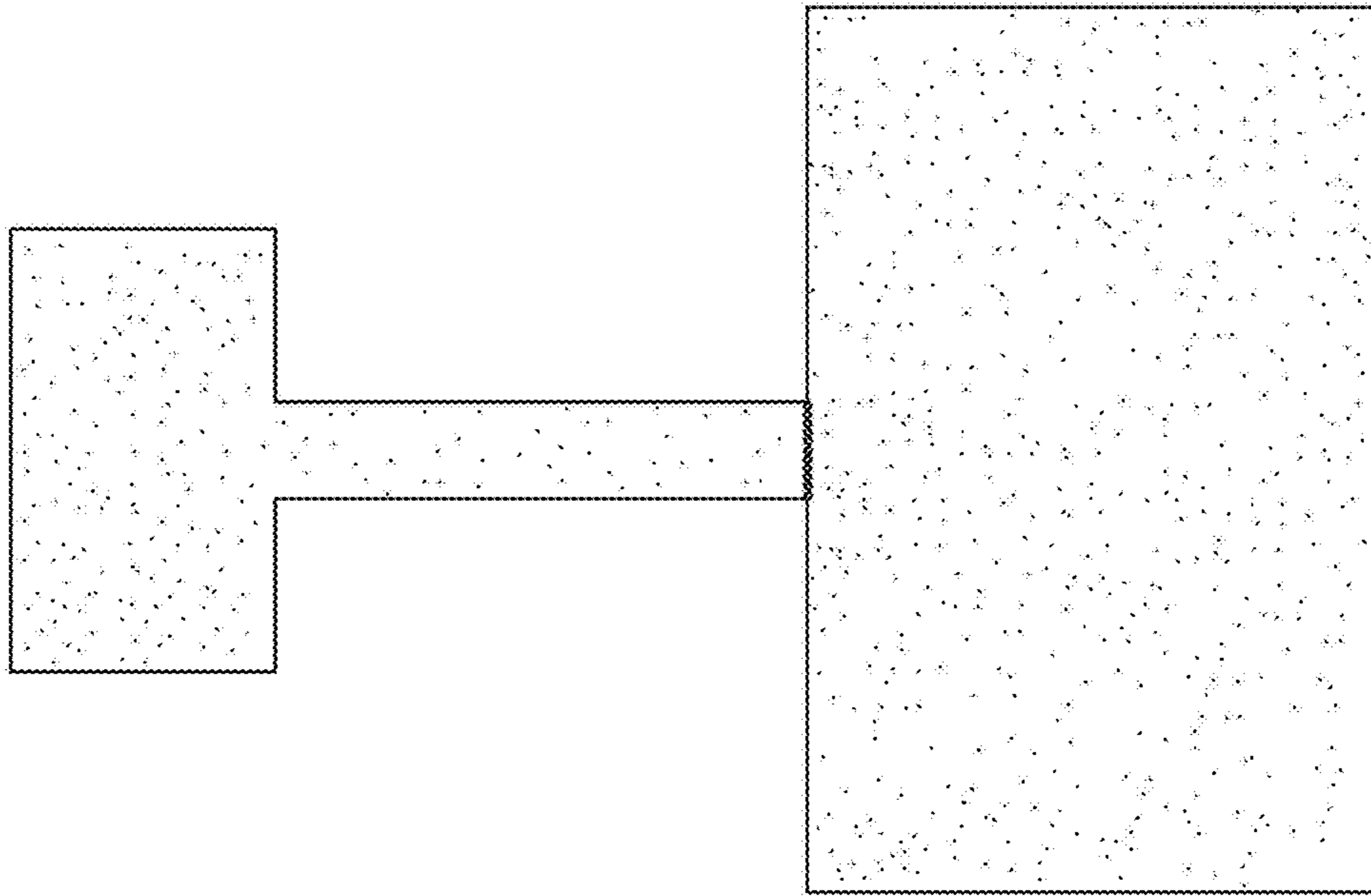


FIG. 8

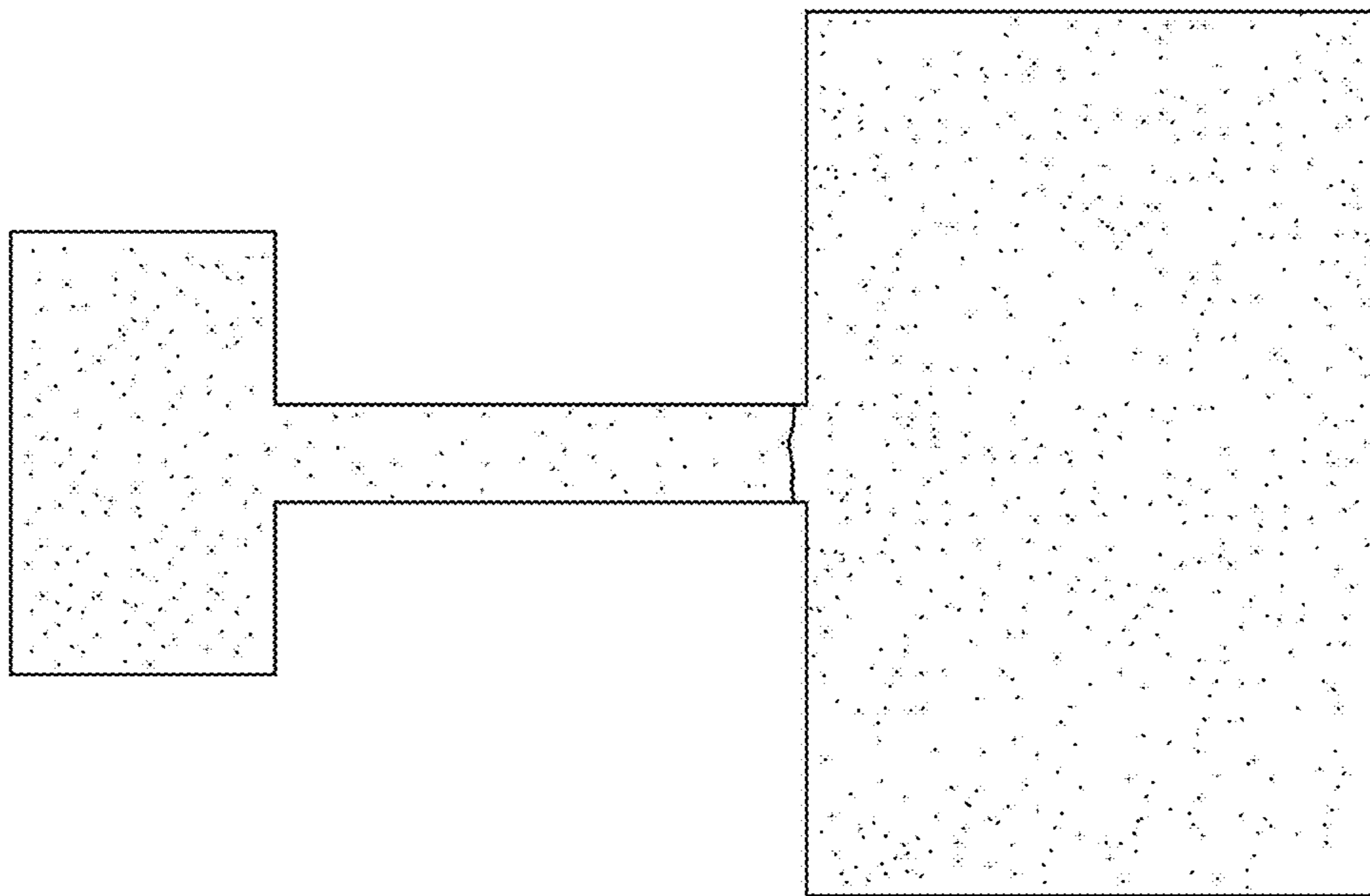


FIG. 9