

US00D860842S

(12) **United States Design Patent**
Judd

(10) **Patent No.:** **US D860,842 S**

(45) **Date of Patent:** **** Sep. 24, 2019**

(54) **HOUSING FOR ELECTRONIC WELL DEPTH SENSOR**

(71) Applicant: **Stephen Vaughn Judd**, Hillsborough, NC (US)

(72) Inventor: **Stephen Vaughn Judd**, Hillsborough, NC (US)

(**) Term: **15 Years**

(21) Appl. No.: **29/650,748**

(22) Filed: **Jun. 8, 2018**

(51) **LOC (12) Cl.** **10-04**

(52) **U.S. Cl.**
USPC **D10/101**

(58) **Field of Classification Search**
USPC D10/96, 101, 102
CPC .. E21B 47/0002; E21B 47/0003; E21B 47/04;
E21B 47/042; E21B 47/044; E21B
2049/085; G01V 1/40; G01V 1/42; G01V
1/44; G01V 1/46; G01V 1/48; G01V
1/50; G01V 1/52; G01V 1/523; G01V
8/02

See application file for complete search history.

(56) **References Cited**

U.S. PATENT DOCUMENTS

D588,483 S *	3/2009	Chu	D10/85
9,022,123 B2 *	5/2015	Campello	E21B 17/00 138/104
10,072,491 B2 *	9/2018	Meyers	E21B 47/0002
10,240,448 B2 *	3/2019	Kuehl	E21B 33/1294

* cited by examiner

Primary Examiner — Antoine Duval Davis

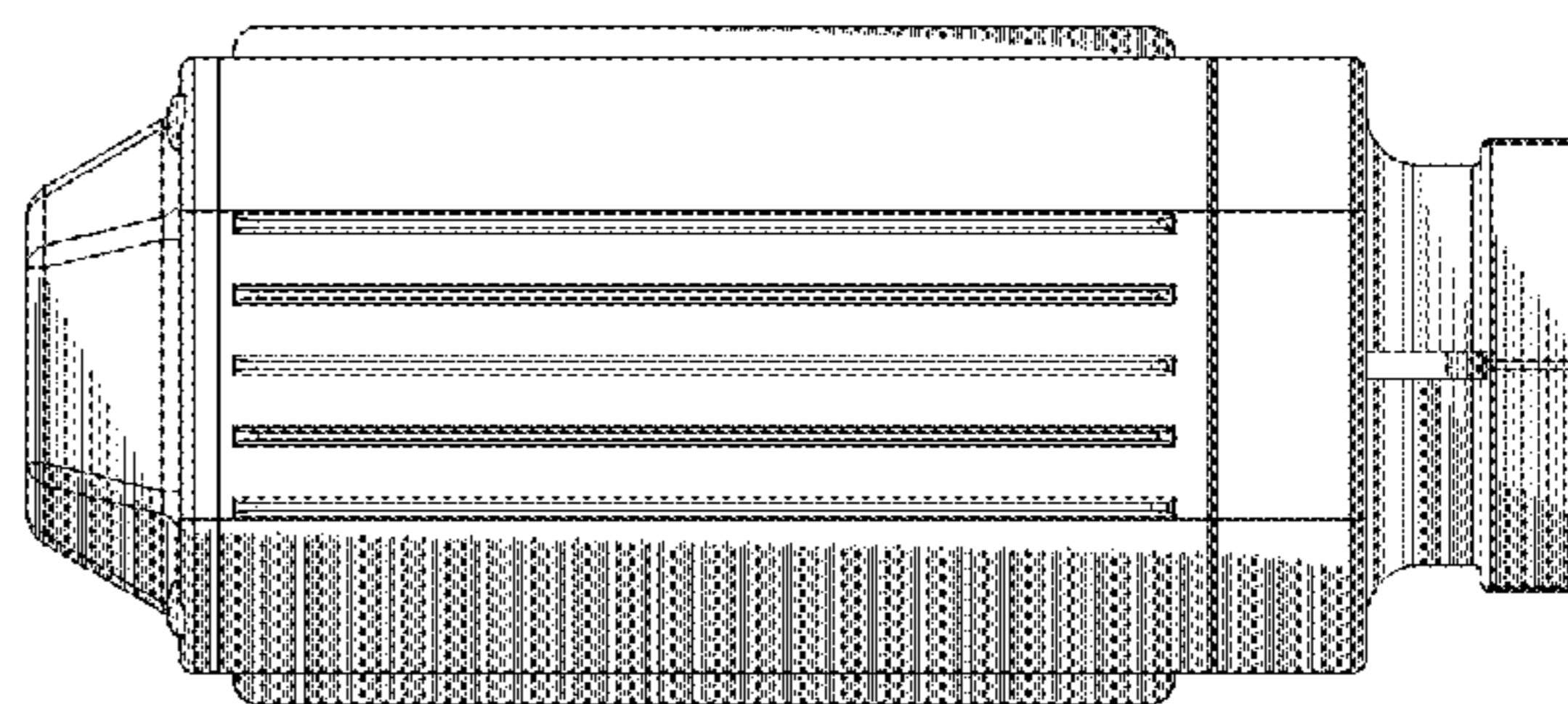
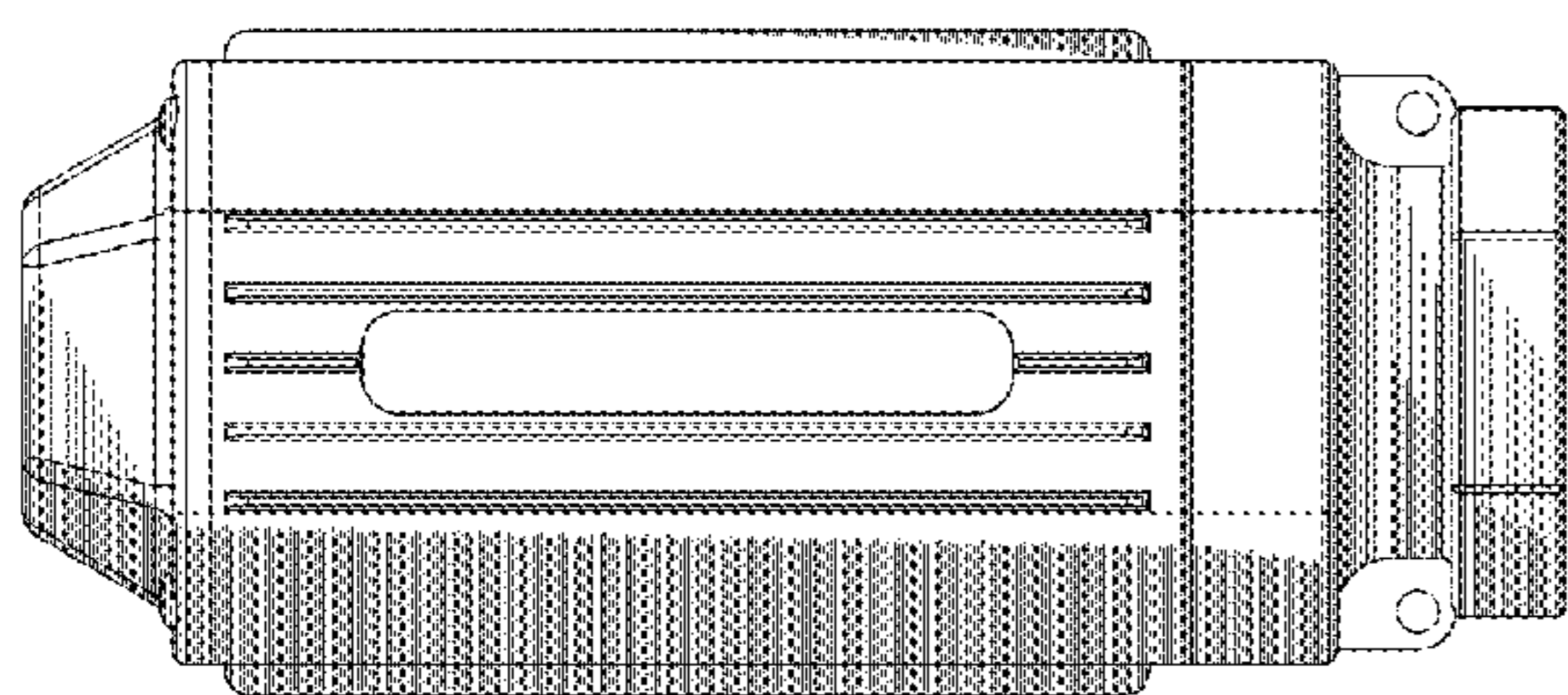
(57) **CLAIM**

The ornamental design for a housing for electronic well depth sensor, as shown and described.

DESCRIPTION

FIG. 1 is a front elevational view of the disclosed housing, with the back view being an identical image;
FIG. 2 is a top elevational view of the disclosed housing;
FIG. 3 is a bottom elevational view of the disclosed housing;
FIG. 4 is a right side elevational view of the disclosed housing; and,
FIG. 5 is a left side elevational view of the disclosed housing.

1 Claim, 1 Drawing Sheet



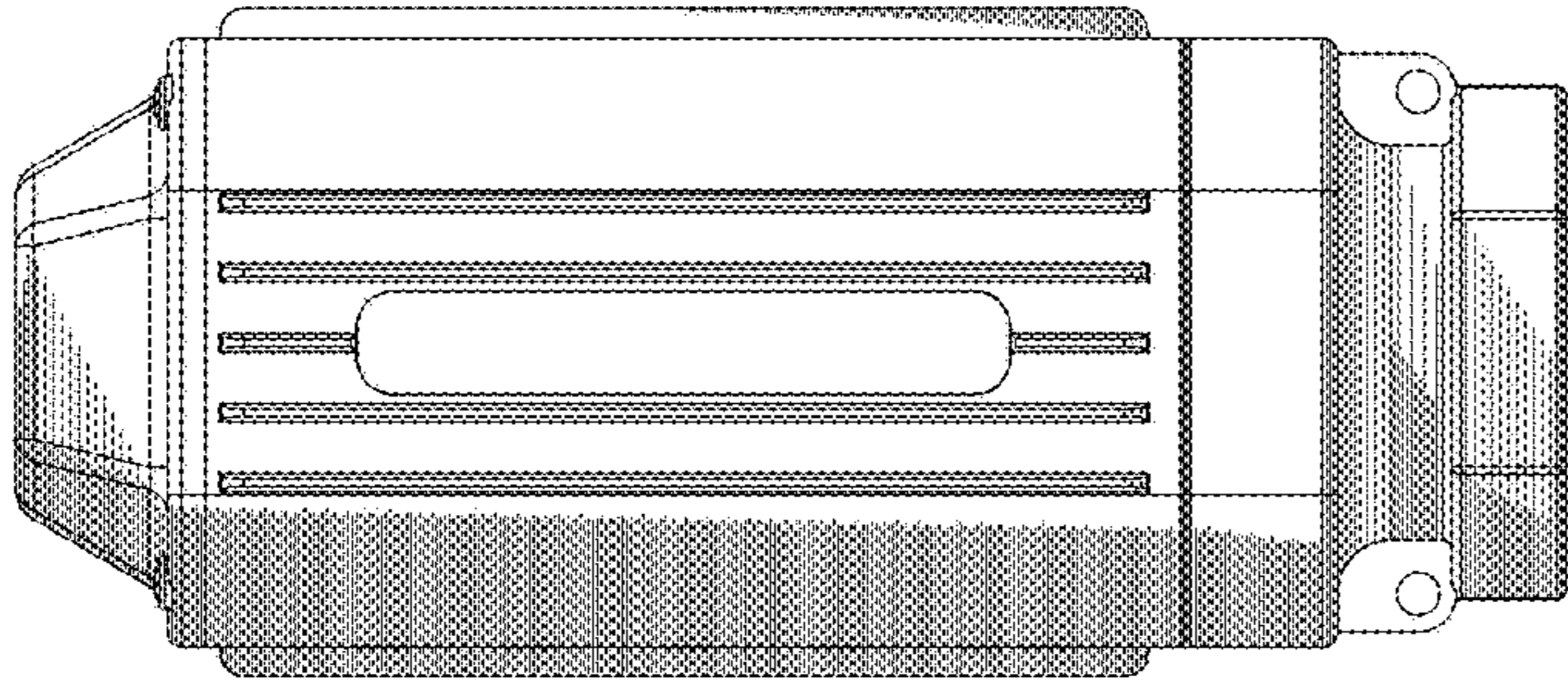


Figure 1.

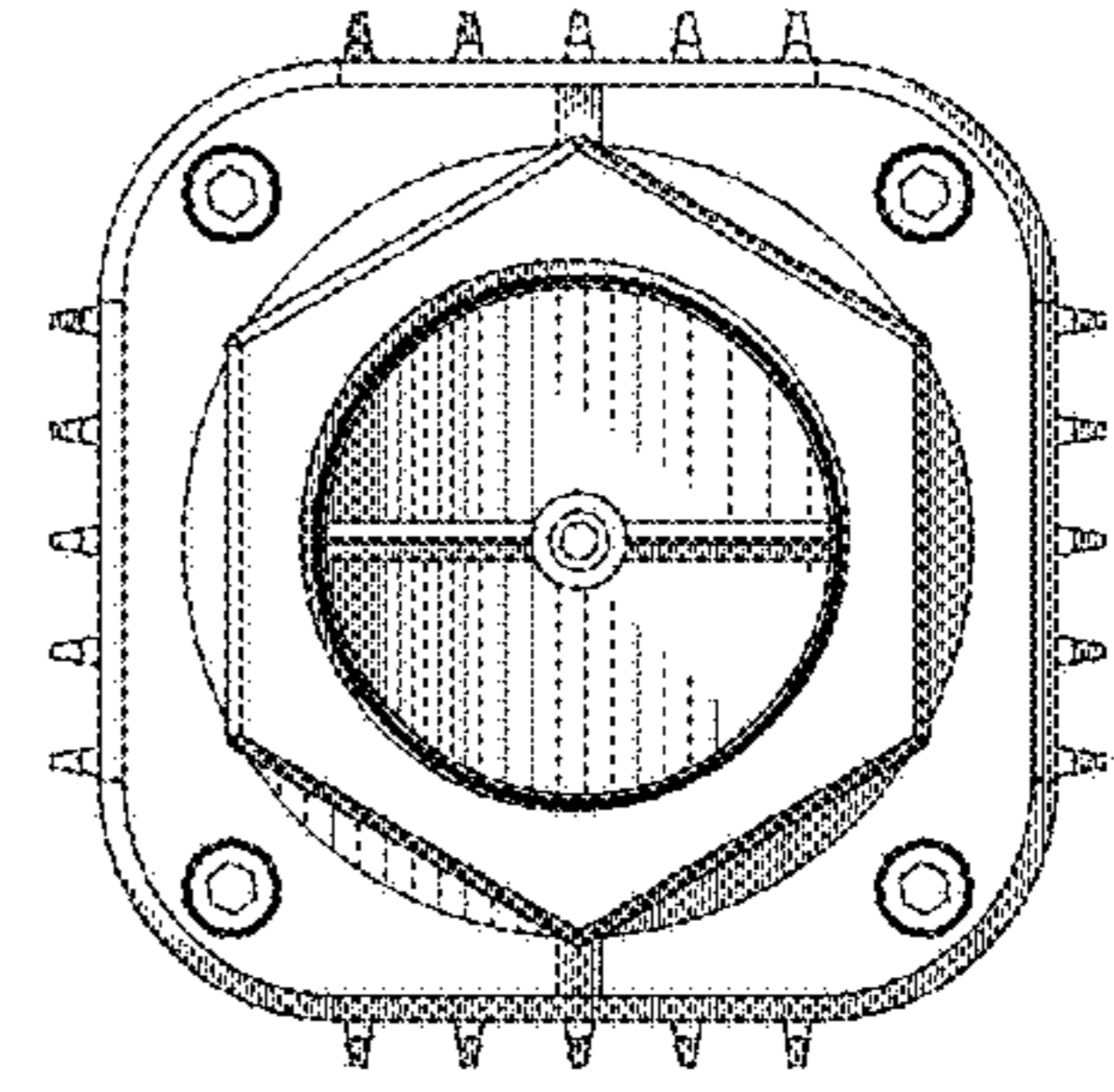


Figure 4.

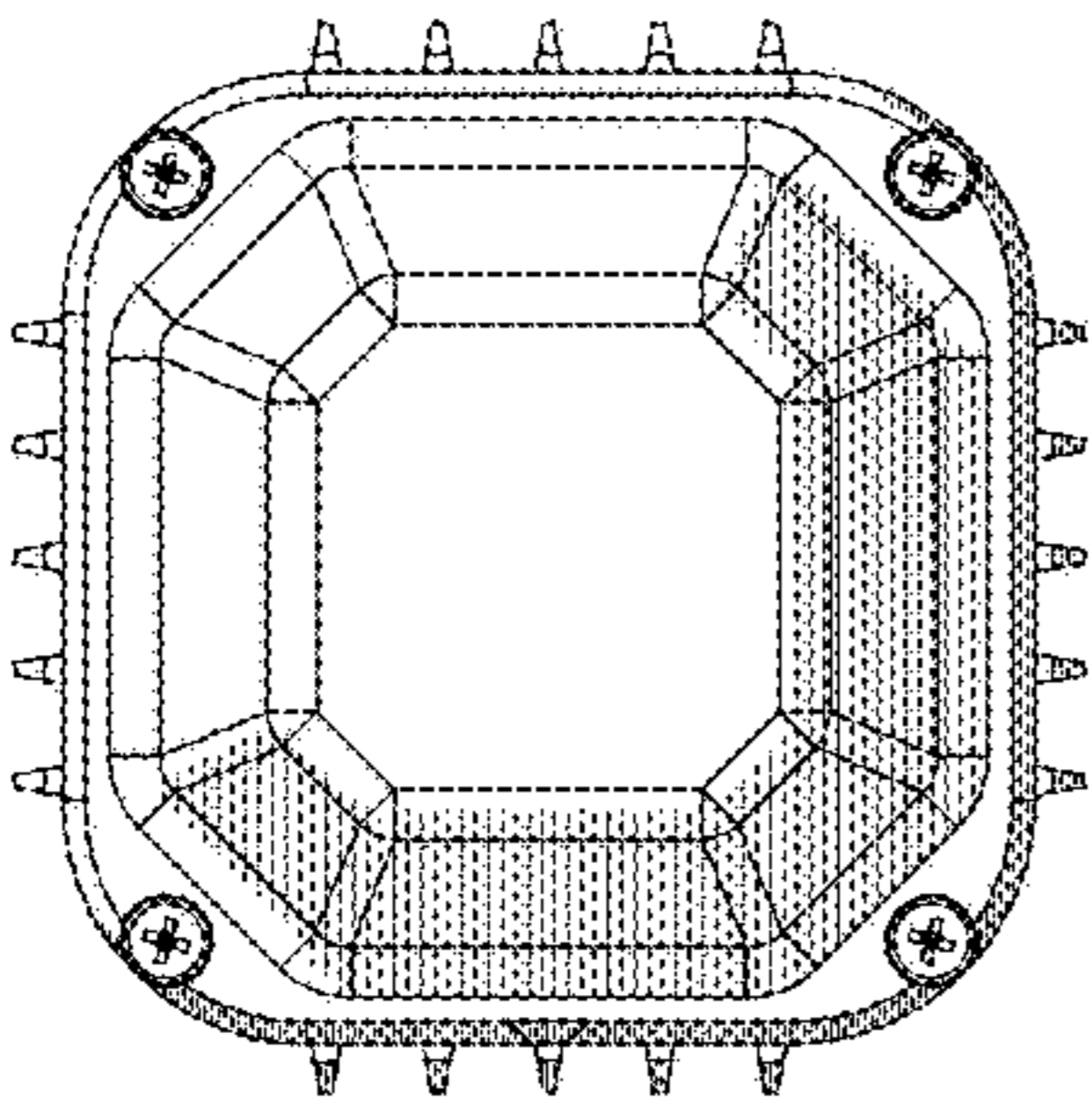


Figure 5.

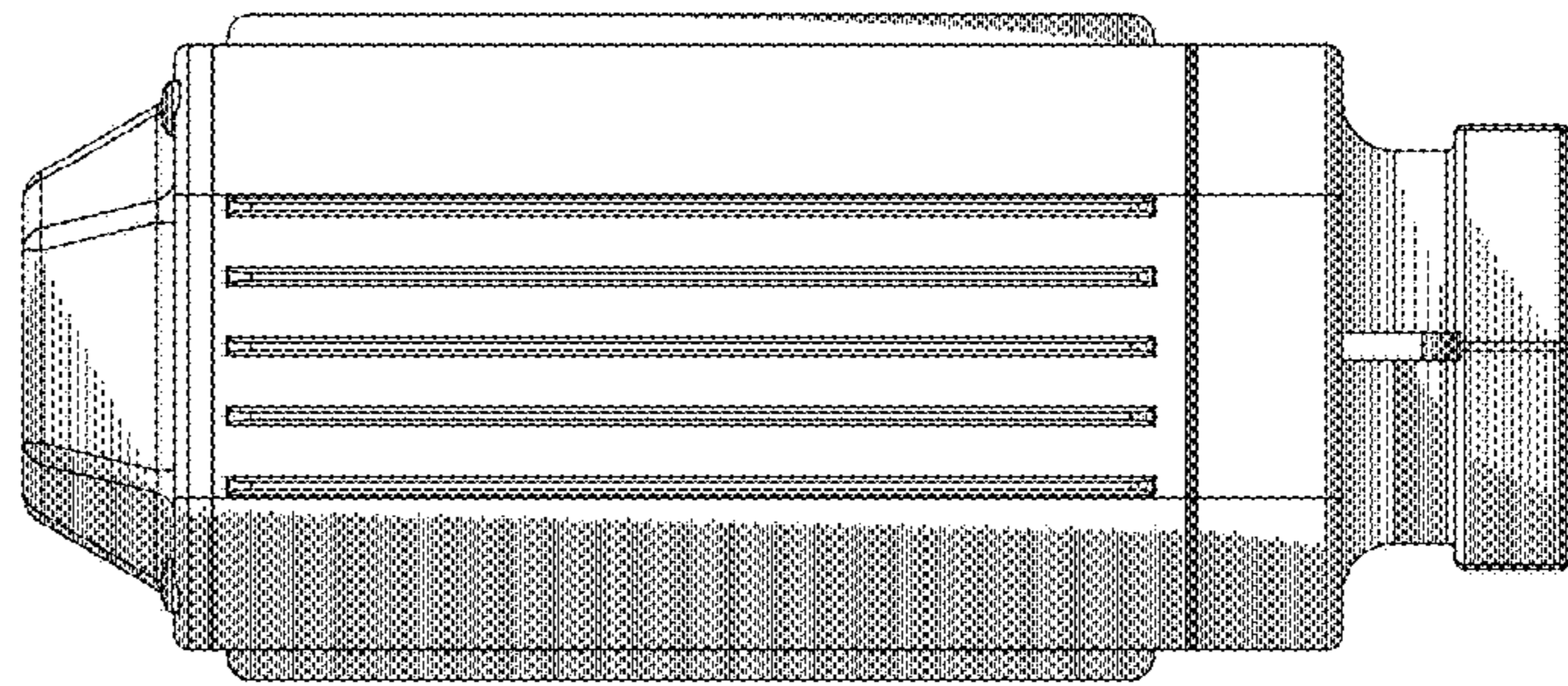


Figure 2.

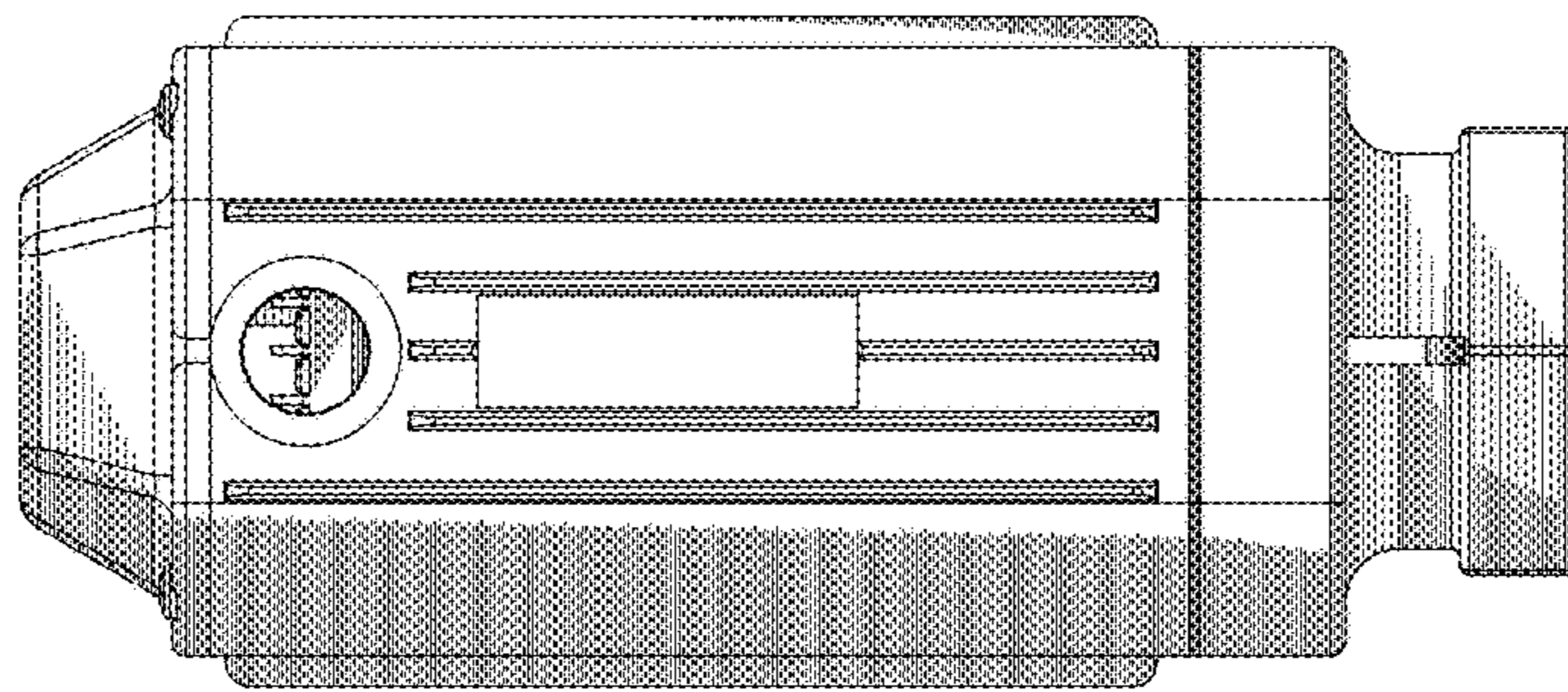


Figure 3.