



US00D860841S

(12) **United States Design Patent**
Wang

(10) **Patent No.:** **US D860,841 S**

(45) **Date of Patent:** **** Sep. 24, 2019**

(54) **WEIGHT SCALE**

(71) Applicant: **Amazing Impulse Co., Ltd.**,
Guangzhou (CN)

(72) Inventor: **Xiao Qiang Wang**, Guangdong (CN)

(**) Term: **15 Years**

(21) Appl. No.: **29/654,922**

(22) Filed: **Jun. 28, 2018**

(51) **LOC (12) Cl.** **10-04**

(52) **U.S. Cl.**
USPC **D10/92**

(58) **Field of Classification Search**
USPC D10/92
CPC G01G 19/44; G01G 19/445; G01G 19/46;
G01G 19/48; G01G 19/50; G01G 21/28;
G01G 21/44
See application file for complete search history.

(56) **References Cited**

U.S. PATENT DOCUMENTS

D448,691 S * 10/2001 Montagnino D10/92
D700,092 S * 2/2014 Ogihara D10/92
D796,361 S * 9/2017 Bihan D10/92
D798,175 S * 9/2017 Donovan D10/92

D808,287 S * 1/2018 Liang D10/92
D808,288 S * 1/2018 Yu D10/92
10,194,828 B2 * 2/2019 Petrucelli A61B 5/0537

* cited by examiner

Primary Examiner — Antoine Duval Davis

(74) *Attorney, Agent, or Firm* — Tommy SF Wang; Wang IP Law Group, P.C.

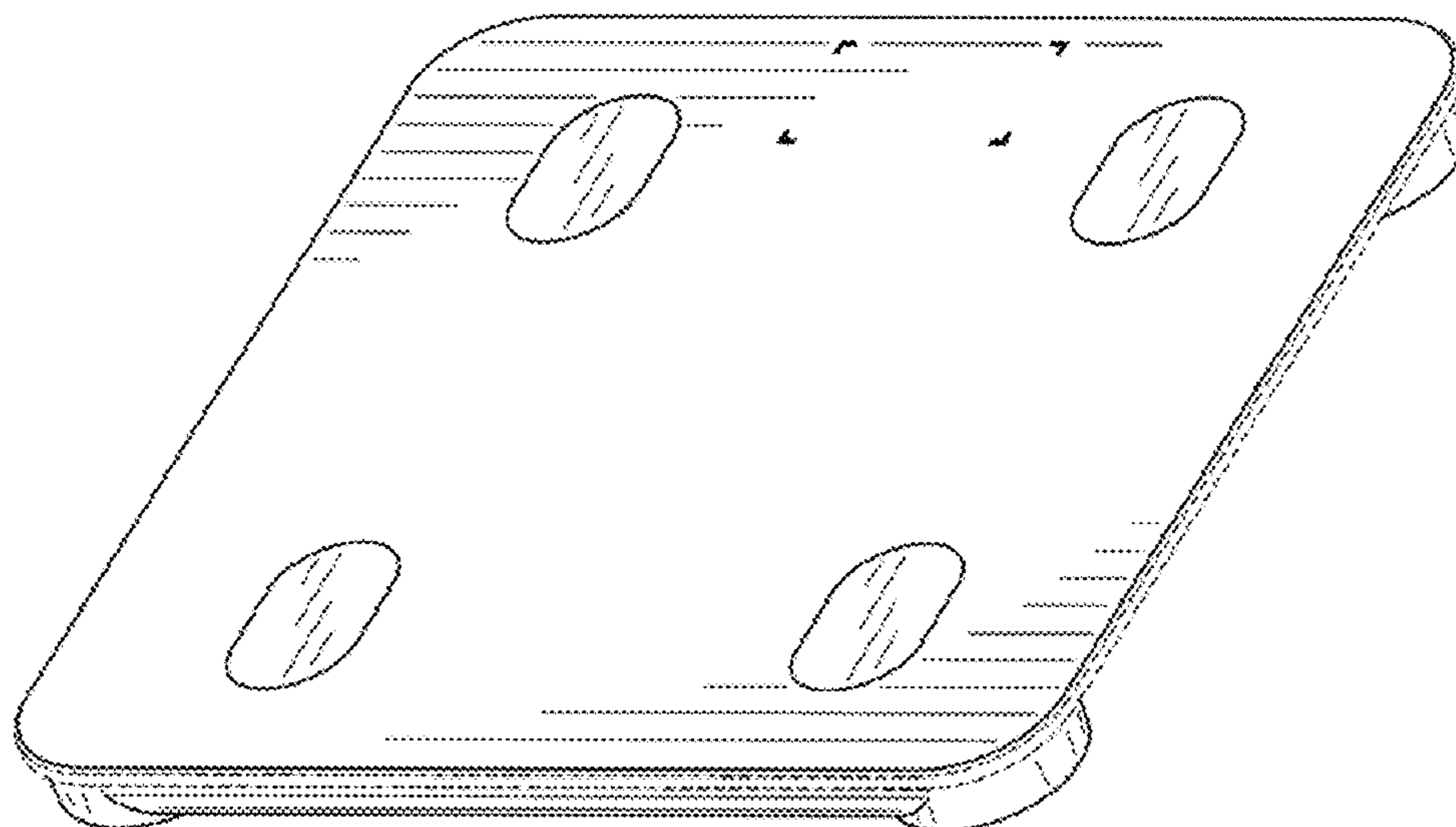
(57) **CLAIM**

The ornamental design for a weight scale, as shown and described.

DESCRIPTION

FIG. 1 is a perspective view of a weight scale showing my new design;
FIG. 2 is a front view thereof;
FIG. 3 is a rear view thereof;
FIG. 4 is a left side view thereof;
FIG. 5 is a right side view thereof;
FIG. 6 is a top view thereof; and,
FIG. 7 is a bottom view thereof.
The broken line portions of the weight scale in FIGS. 1-7 represent unclaimed portions of the claimed design and form no part thereof.

1 Claim, 5 Drawing Sheets



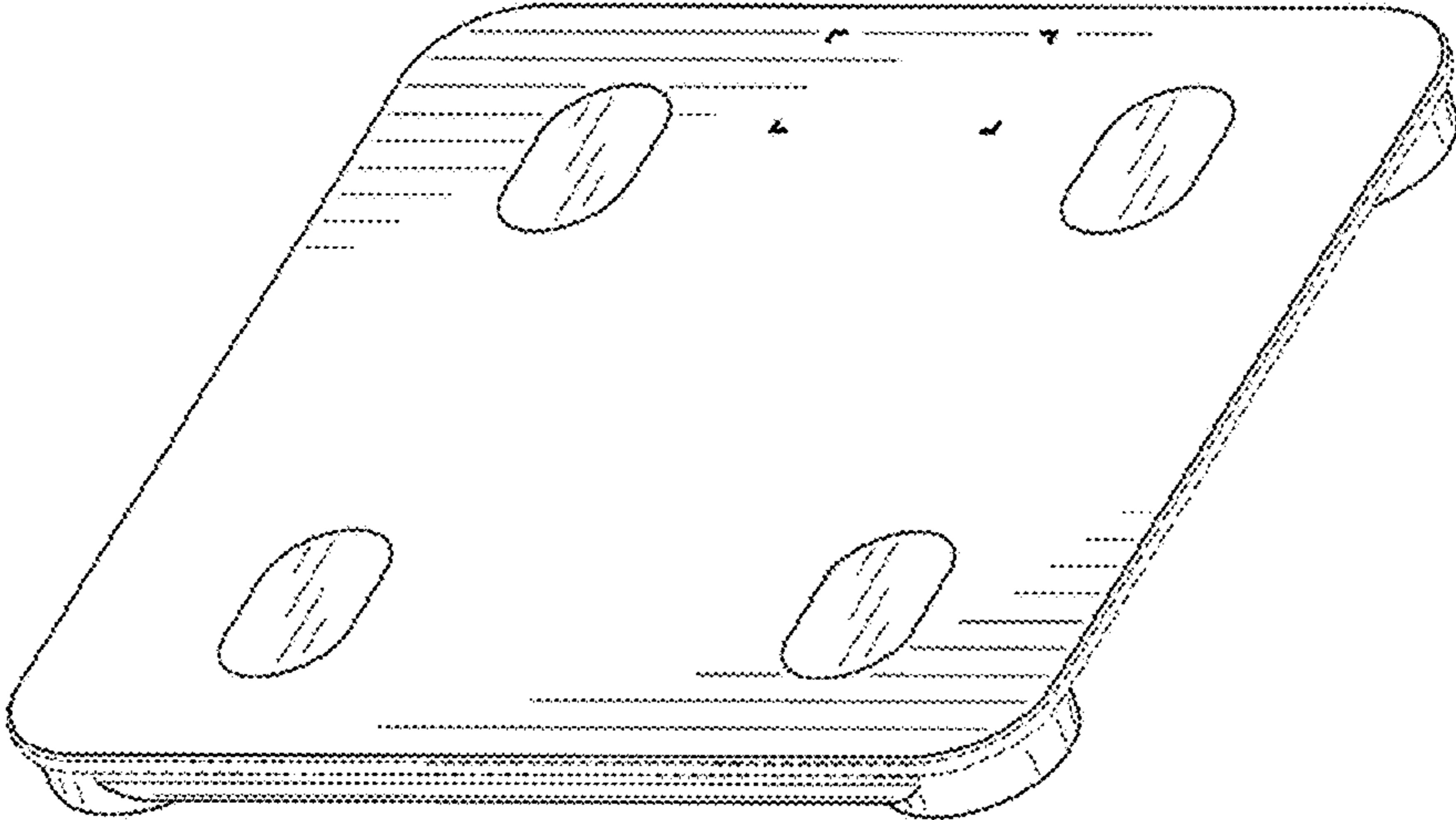


FIG. 1

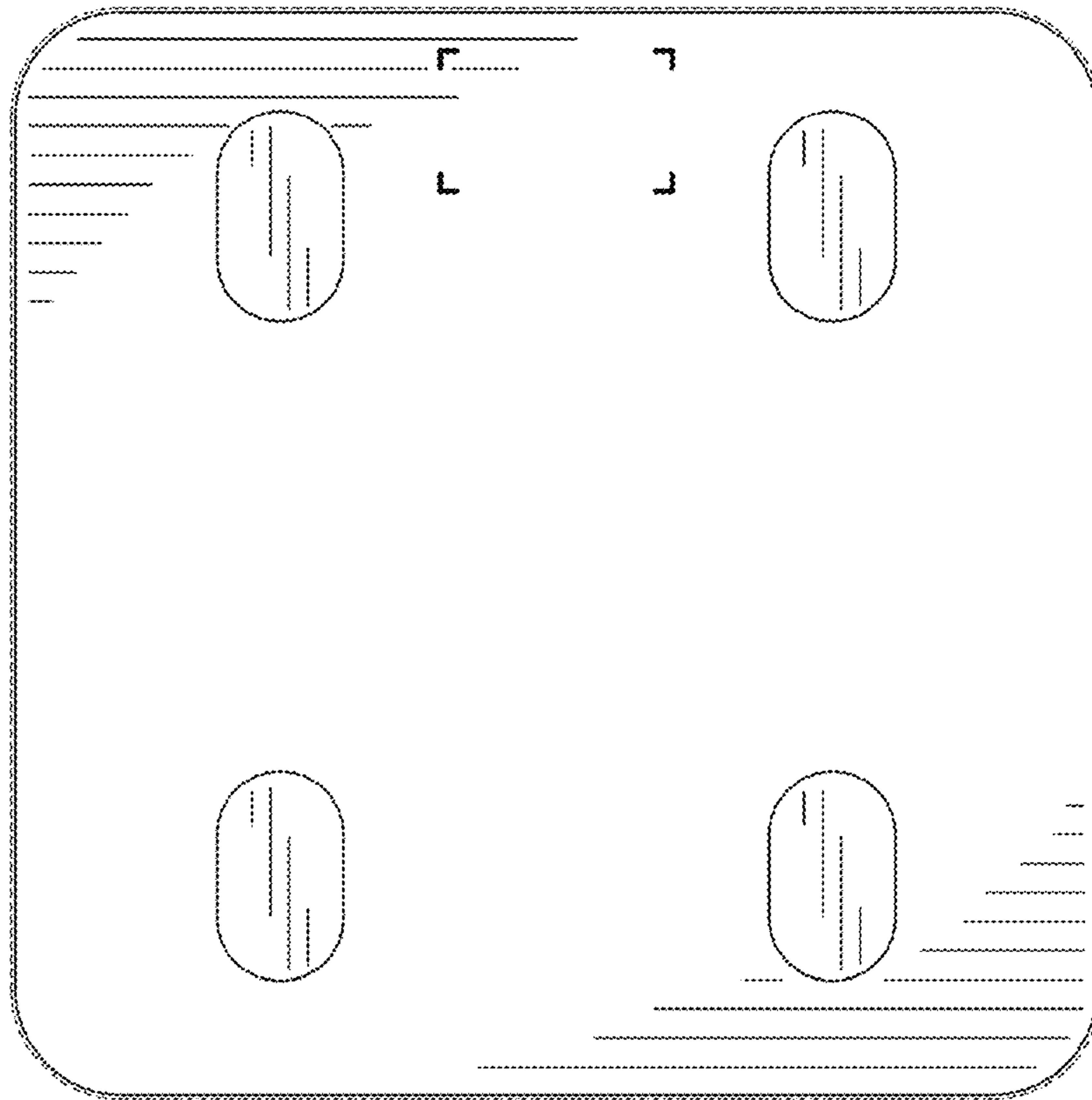


FIG. 2

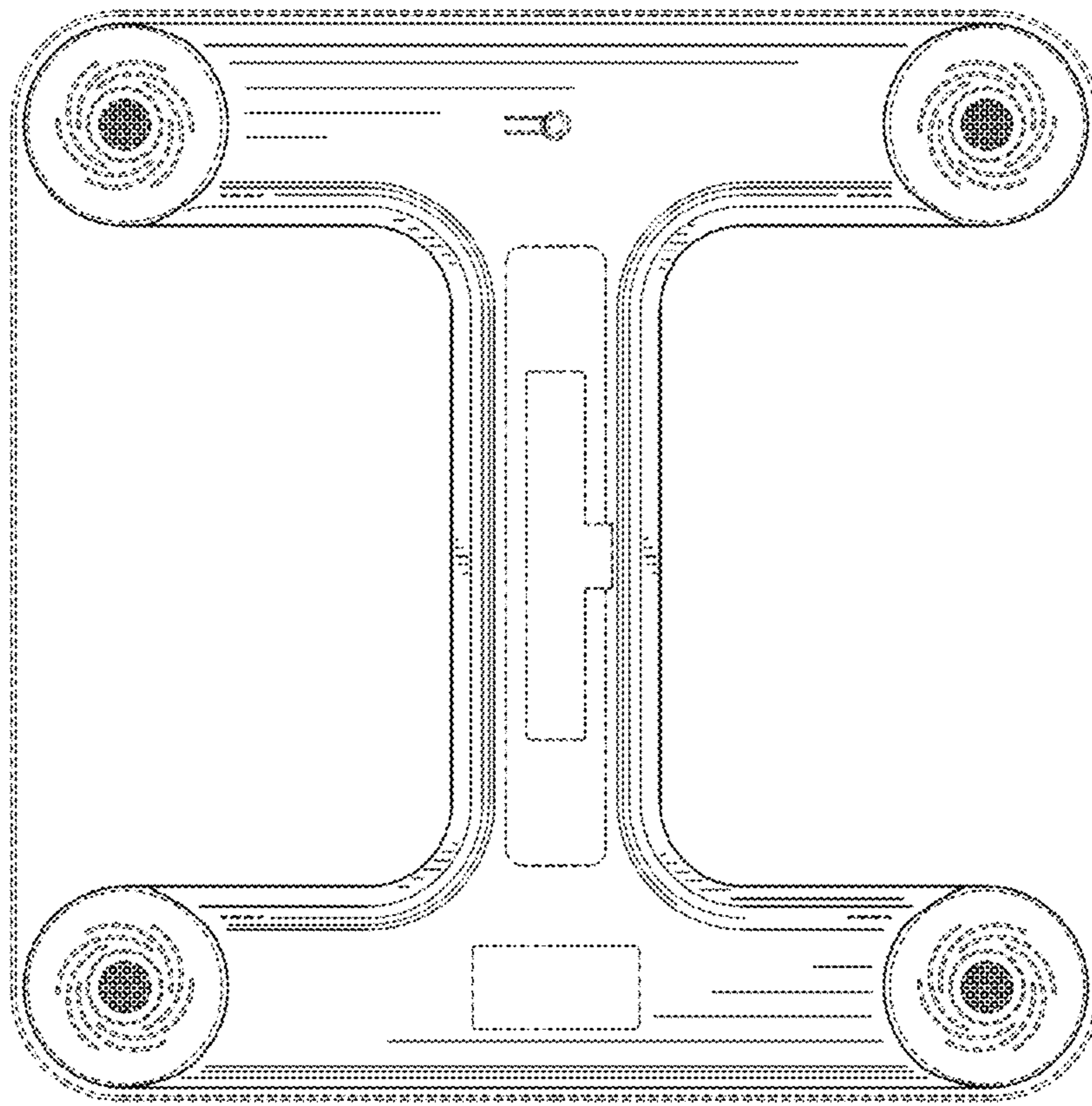


FIG. 3

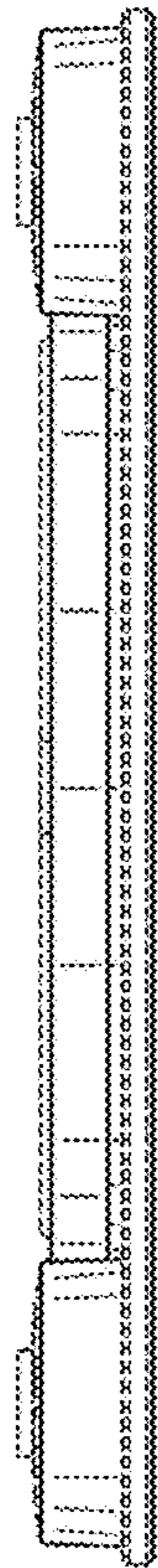


FIG. 4

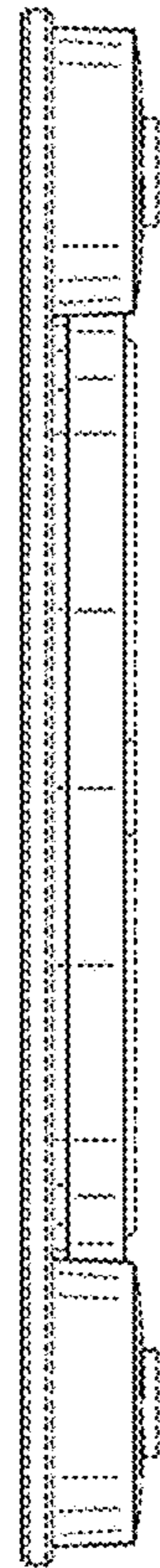


FIG. 5

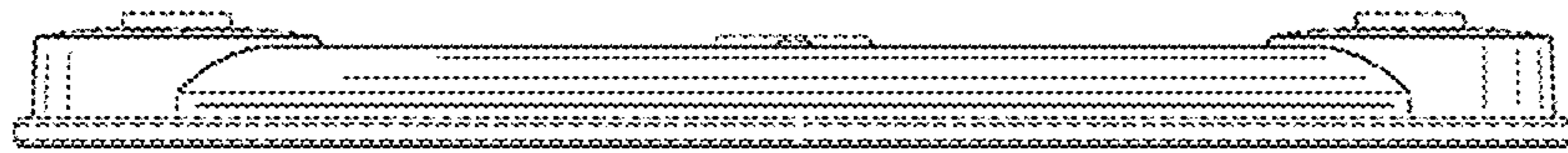


FIG. 6

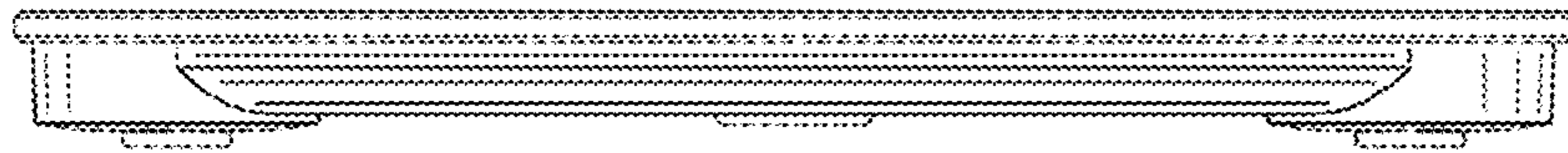


FIG. 7