

US00D860837S

(12) **United States Design Patent**
Workman

(10) **Patent No.:** **US D860,837 S**

(45) **Date of Patent:** **** Sep. 24, 2019**

(54) **FIRE ALARM TESTING DEVICE**

Primary Examiner — Antoine Duval Davis

(71) Applicant: **Charles D. Workman**, Charleston, SC
(US)

(72) Inventor: **Charles D. Workman**, Charleston, SC
(US)

(**) Term: **15 Years**

(21) Appl. No.: **29/651,365**

(22) Filed: **Jun. 14, 2018**

(51) **LOC (12) Cl.** **10-04**

(52) **U.S. Cl.**
USPC **D10/78; D10/75**

(58) **Field of Classification Search**
USPC D10/75, 78
CPC G08B 29/20; G08B 29/22; G08B 29/24;
G08B 29/26; G08B 29/28; G08B 29/00
See application file for complete search history.

(56) **References Cited**

U.S. PATENT DOCUMENTS

5,523,744 A * 6/1996 Wieser G08B 29/145
340/630

* cited by examiner

(57) **CLAIM**

The ornamental design for a fire alarm testing device, as shown and described.

DESCRIPTION

FIG. 1 is a perspective view from above of my new design for a fire alarm testing device.

FIG. 2 is a perspective view from below of my new design for a fire alarm testing device.

FIG. 3 is a top plan view thereof.

FIG. 4 is a bottom plan view thereof.

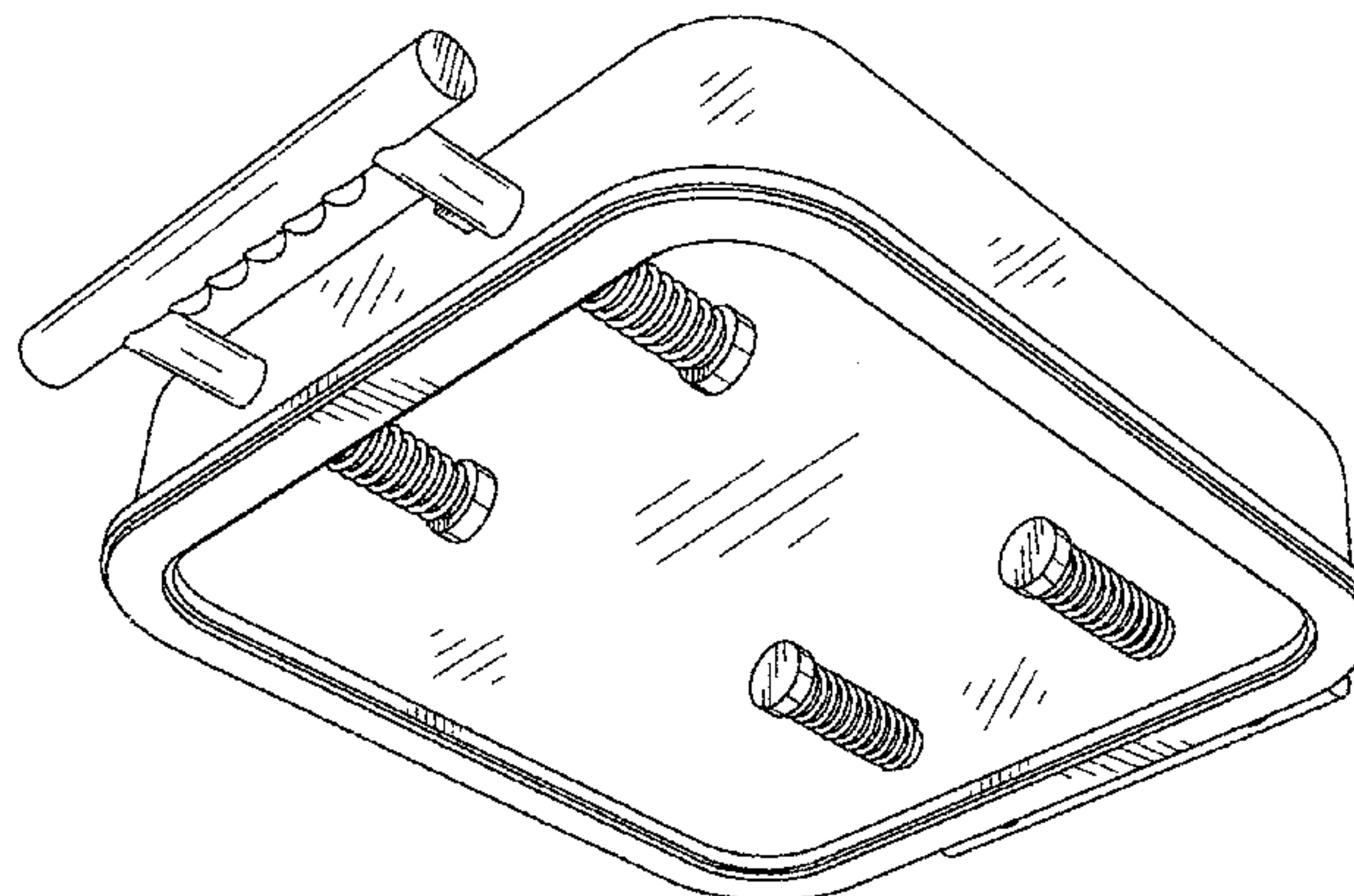
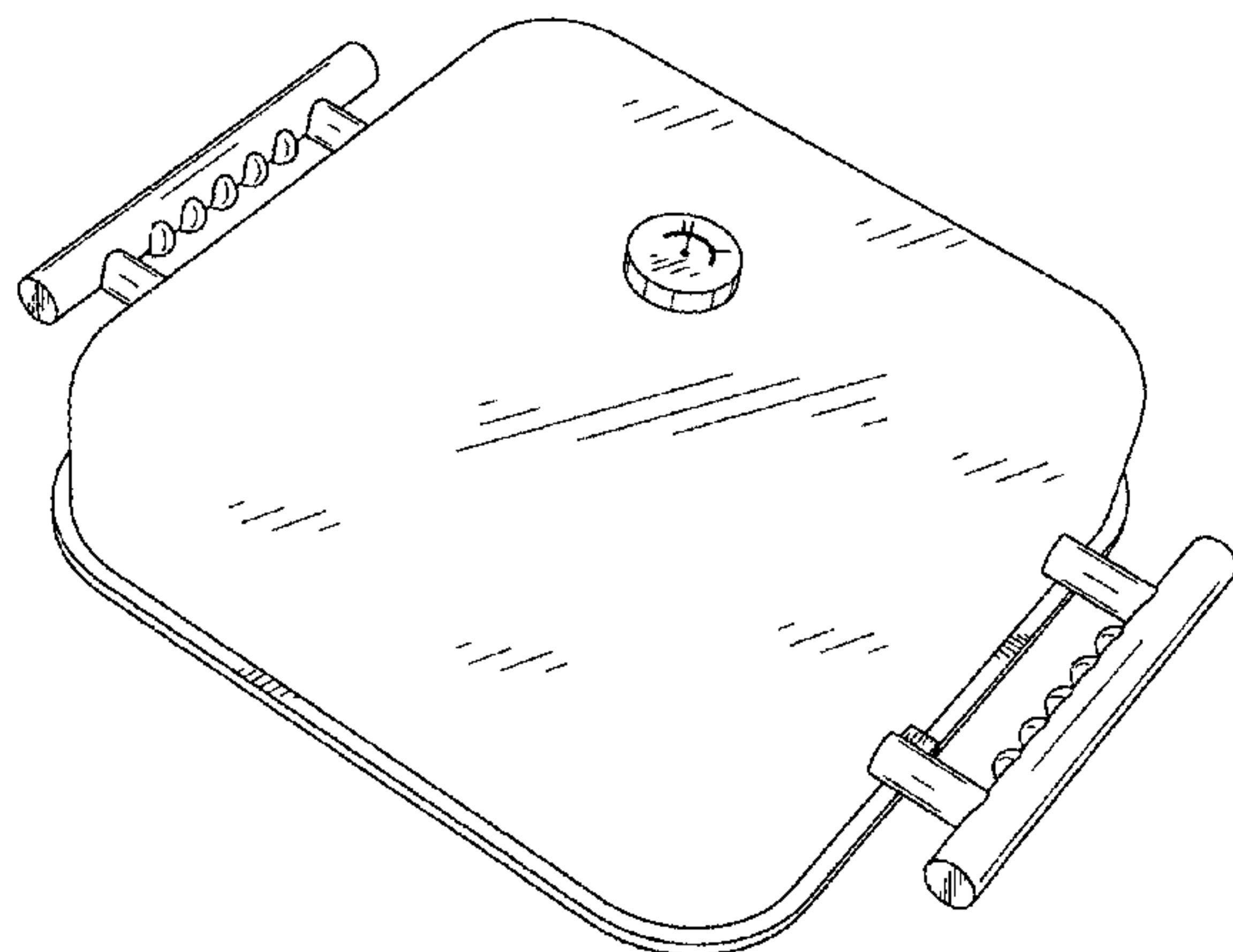
FIG. 5 is a left side elevational view thereof.

FIG. 6 is a right side elevational view thereof.

FIG. 7 is a front elevational view thereof; and,

FIG. 8 is a back elevational view thereof.

1 Claim, 6 Drawing Sheets



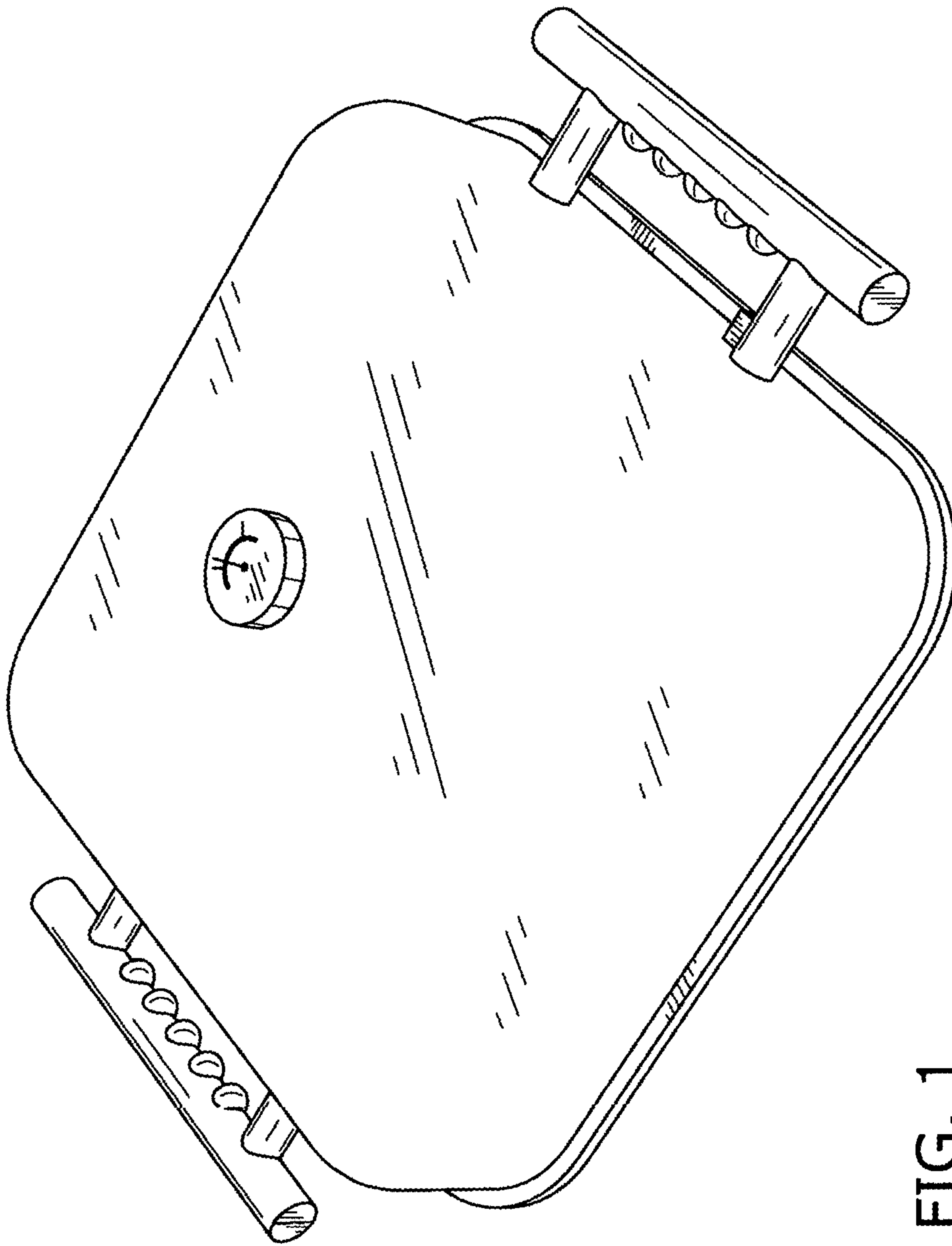


FIG. 1

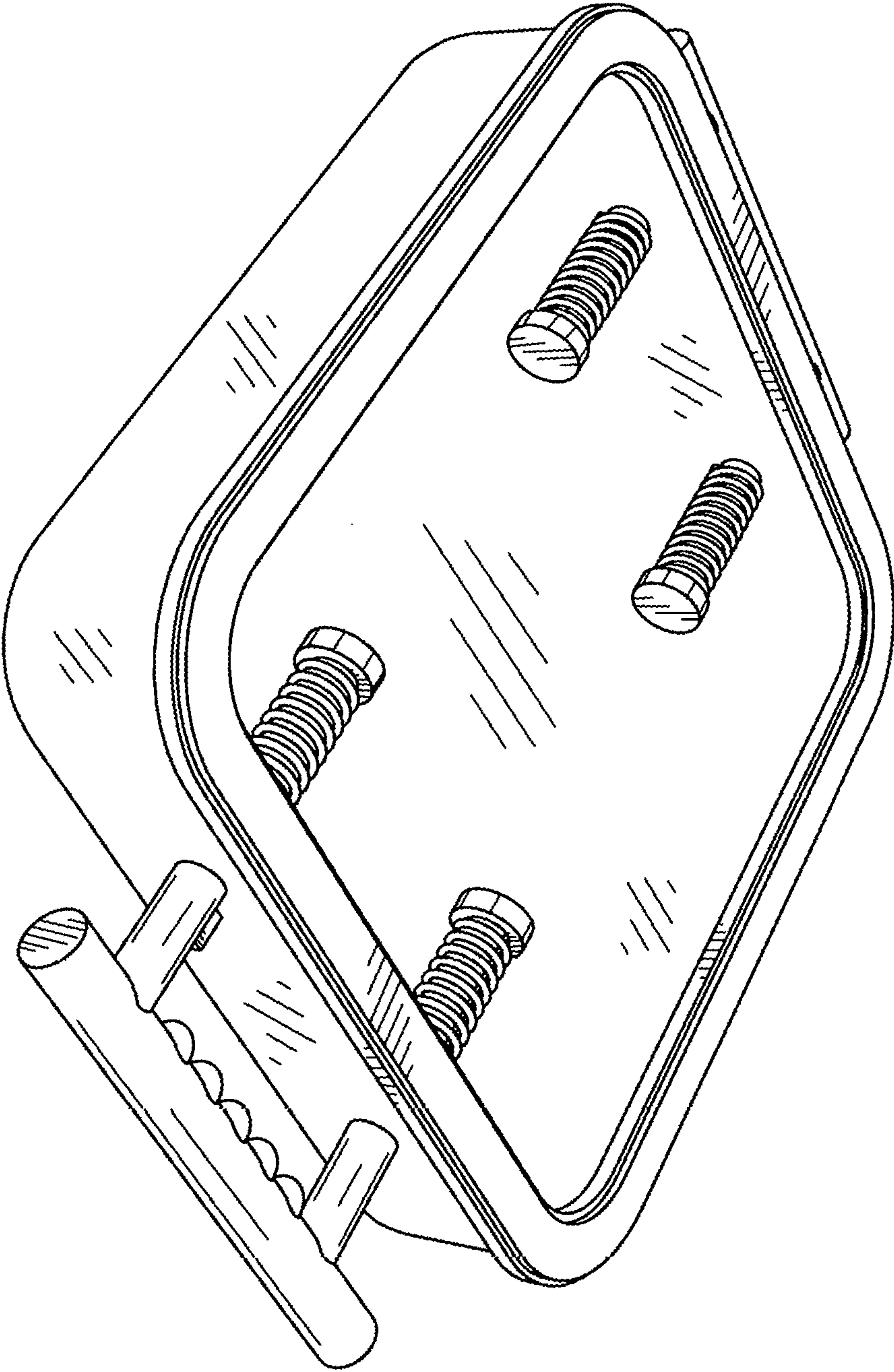


FIG. 2

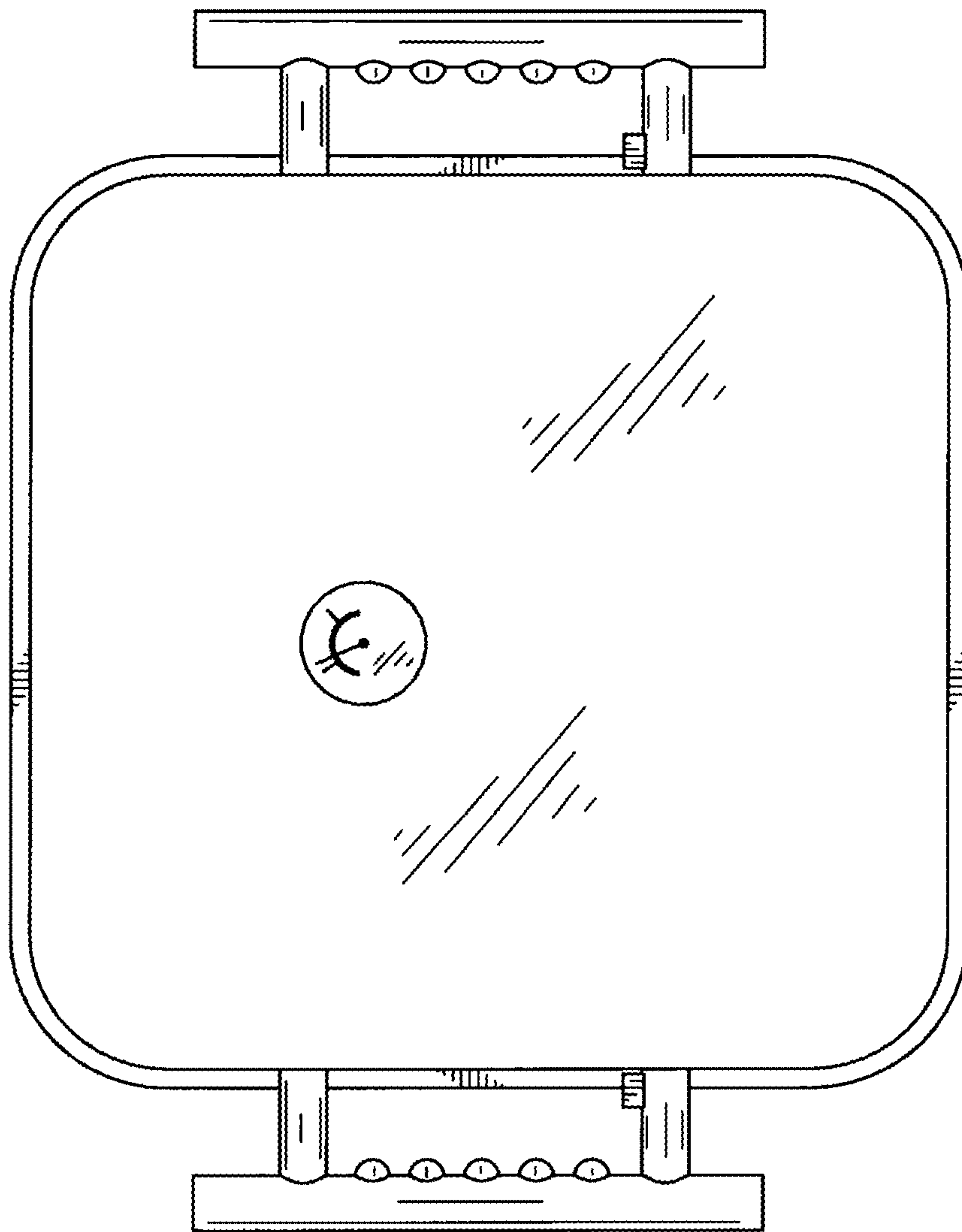


FIG. 3

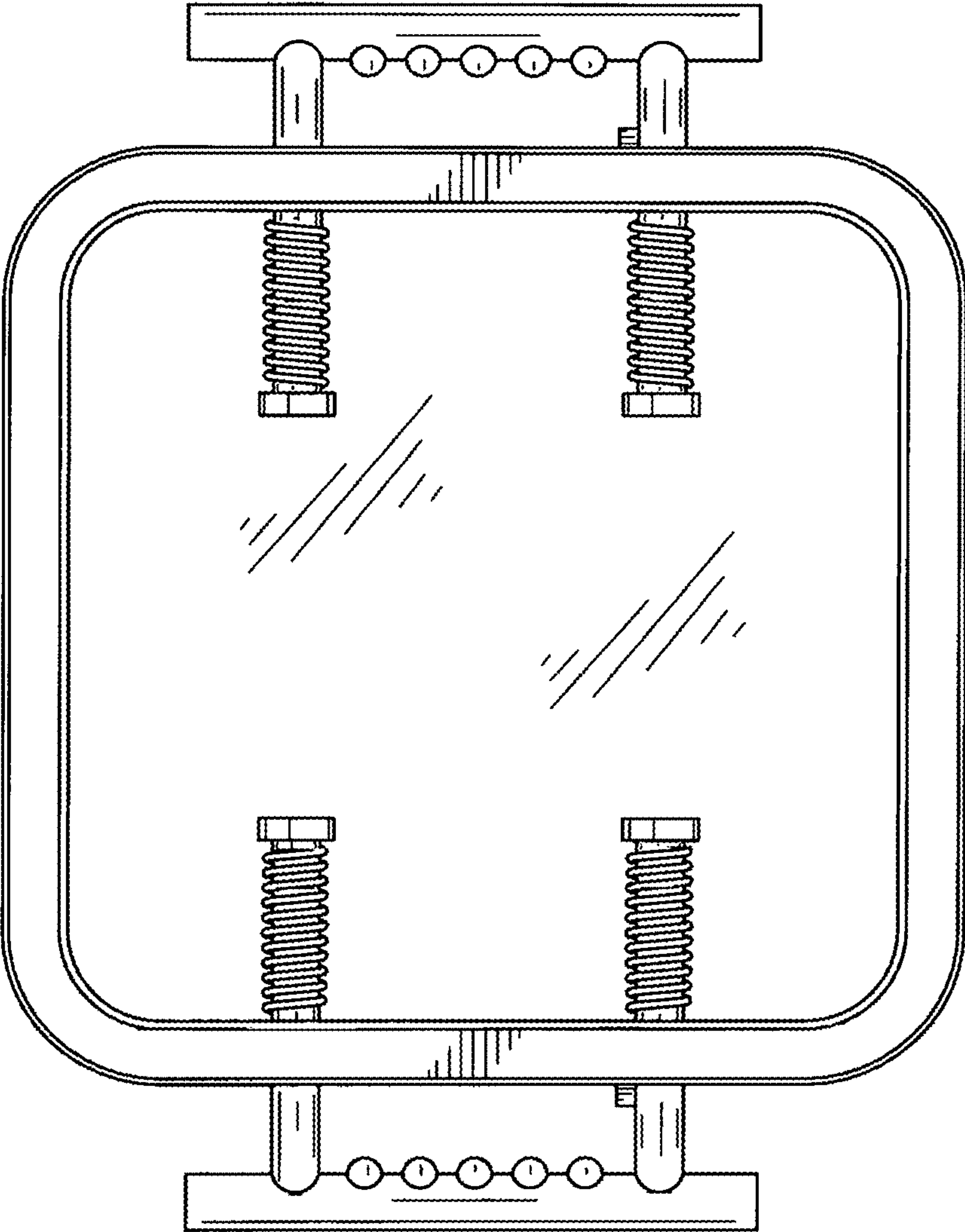


FIG. 4

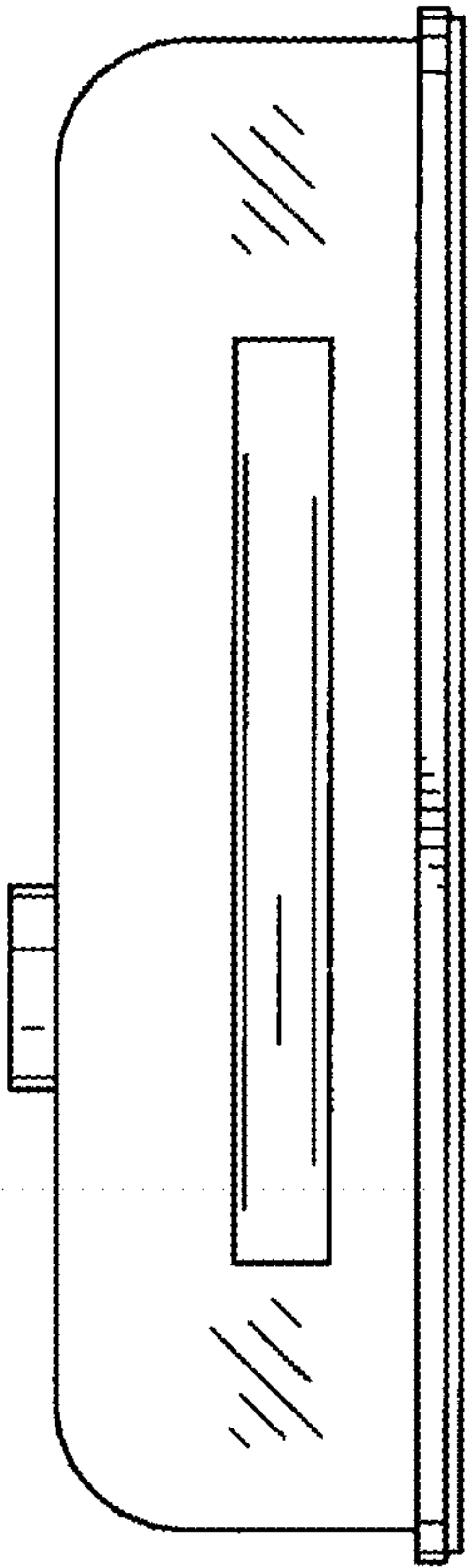


FIG. 5

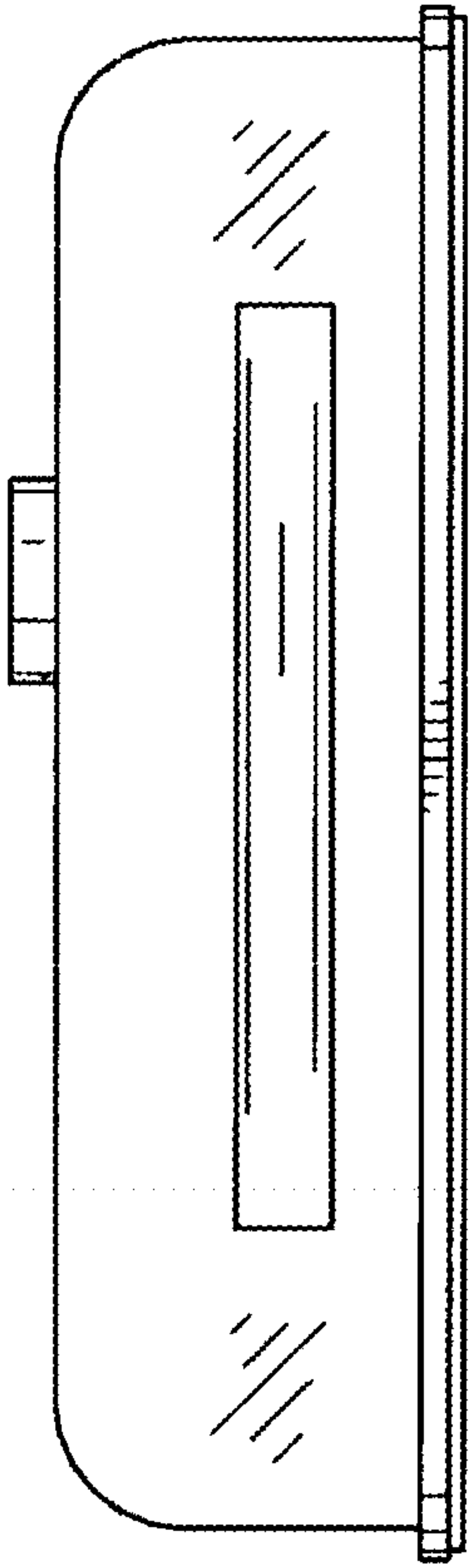


FIG. 6

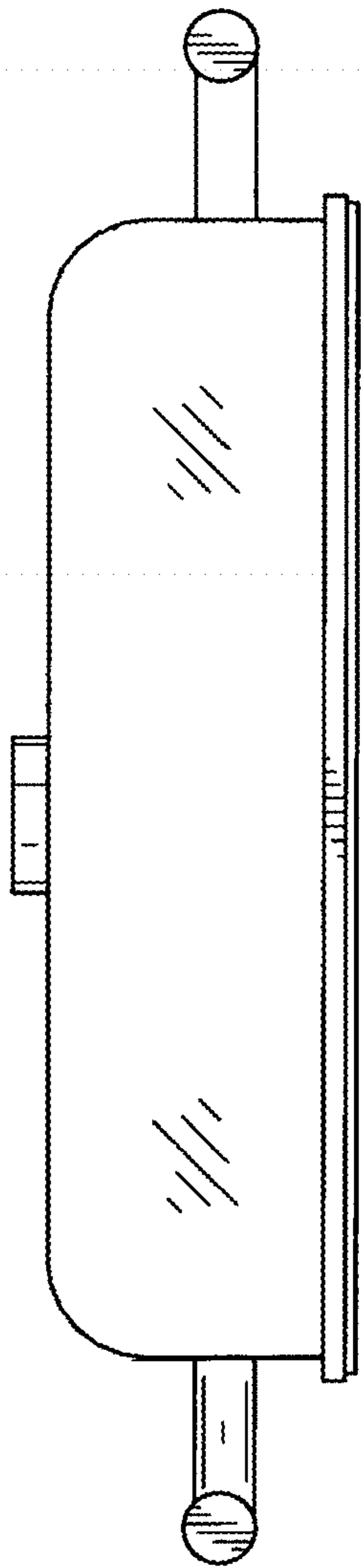


FIG. 7

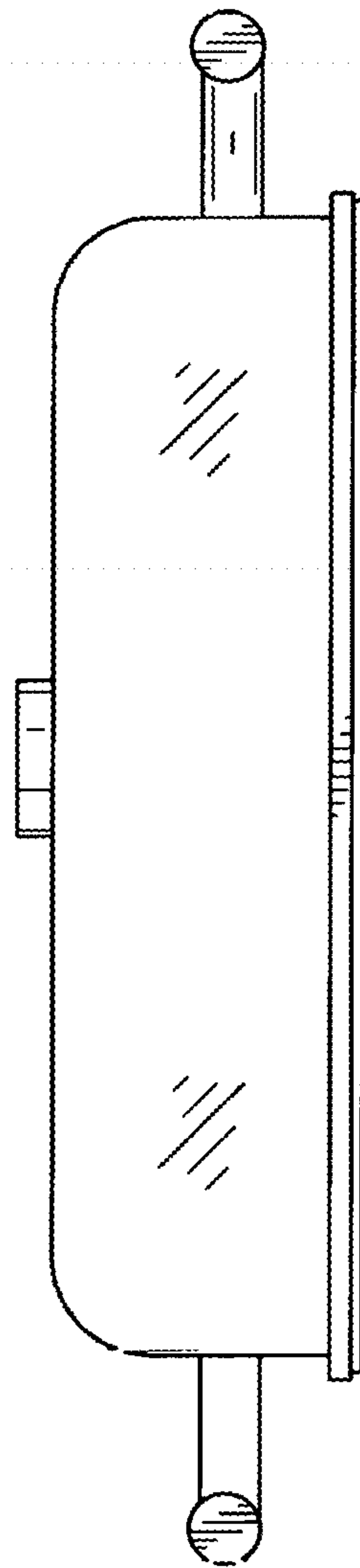


FIG. 8