

US00D860835S

(12) **United States Design Patent**
Kojima

(10) **Patent No.:** **US D860,835 S**

(45) **Date of Patent:** **** Sep. 24, 2019**

(54) **WEARABLE INFORMATION TERMINAL**

(71) Applicant: **CASIO KEISANKI KABUSHIKI KAISHA**, Shibuya-ku, Tokyo (JP)

(72) Inventor: **Kazuyasu Kojima**, Tokyo (JP)

(73) Assignee: **CASIO KEISANKI KABUSHIKI KAISHA**, Tokyo (JP)

(**) Term: **15 Years**

(21) Appl. No.: **29/658,397**

(22) Filed: **Jul. 31, 2018**

(51) **LOC (12) Cl.** **10-04**

(52) **U.S. Cl.**
USPC **D10/70; D10/30; D10/97; D10/98; D24/167; D24/186**

(58) **Field of Classification Search**
USPC D10/30, 38, 39, 70, 78, 97, 98; D14/344; D24/167, 186
CPC G04B 19/00–19/34; G04B 21/12; G04B 23/12; G04B 37/00–37/228; G04B 47/00–47/068; G01C 17/00; G01C 21/00–21/3697; G01C 22/00–22/025; G01C 23/00–23/005; G01C 21/16; G06F 19/3481; G06F 3/00–3/027; G06F 1/163; G04G 21/00; G04G 21/02; G04G 21/08; G01P 1/00–1/26; G01P 15/00–15/18; A63B 24/00–2024/0096; A63B 2213/00; A63B 69/0028; A63B 2071/0658–2071/0666; A63B 2220/00–2220/89; A63B 2225/02; A63B 5/681; A63B 5/6824; A63B 5/6825; A63B 5/6826; A63C 11/02

See application file for complete search history.

(56) **References Cited**

U.S. PATENT DOCUMENTS

D785,468 S * 5/2017 White D10/30
D799,478 S * 10/2017 Kachi D14/344
D808,386 S * 1/2018 Matsuda D10/30
D829,111 S * 9/2018 Akagi D10/39
2017/0242401 A1* 8/2017 White G04B 37/08

* cited by examiner

Primary Examiner — Antoine Duval Davis

(74) *Attorney, Agent, or Firm* — Holtz, Holtz & Volek PC

(57) **CLAIM**

The ornamental design for a wearable information terminal, as shown and described.

DESCRIPTION

FIG. 1 is an enlarged-scale front, right side, bottom perspective view of a wearable information terminal showing my new design;

FIG. 2 is a front elevational view thereof;

FIG. 3 is a rear elevational view thereof;

FIG. 4 is a left side view thereof;

FIG. 5 is a right side view thereof;

FIG. 6 is a top plan view thereof;

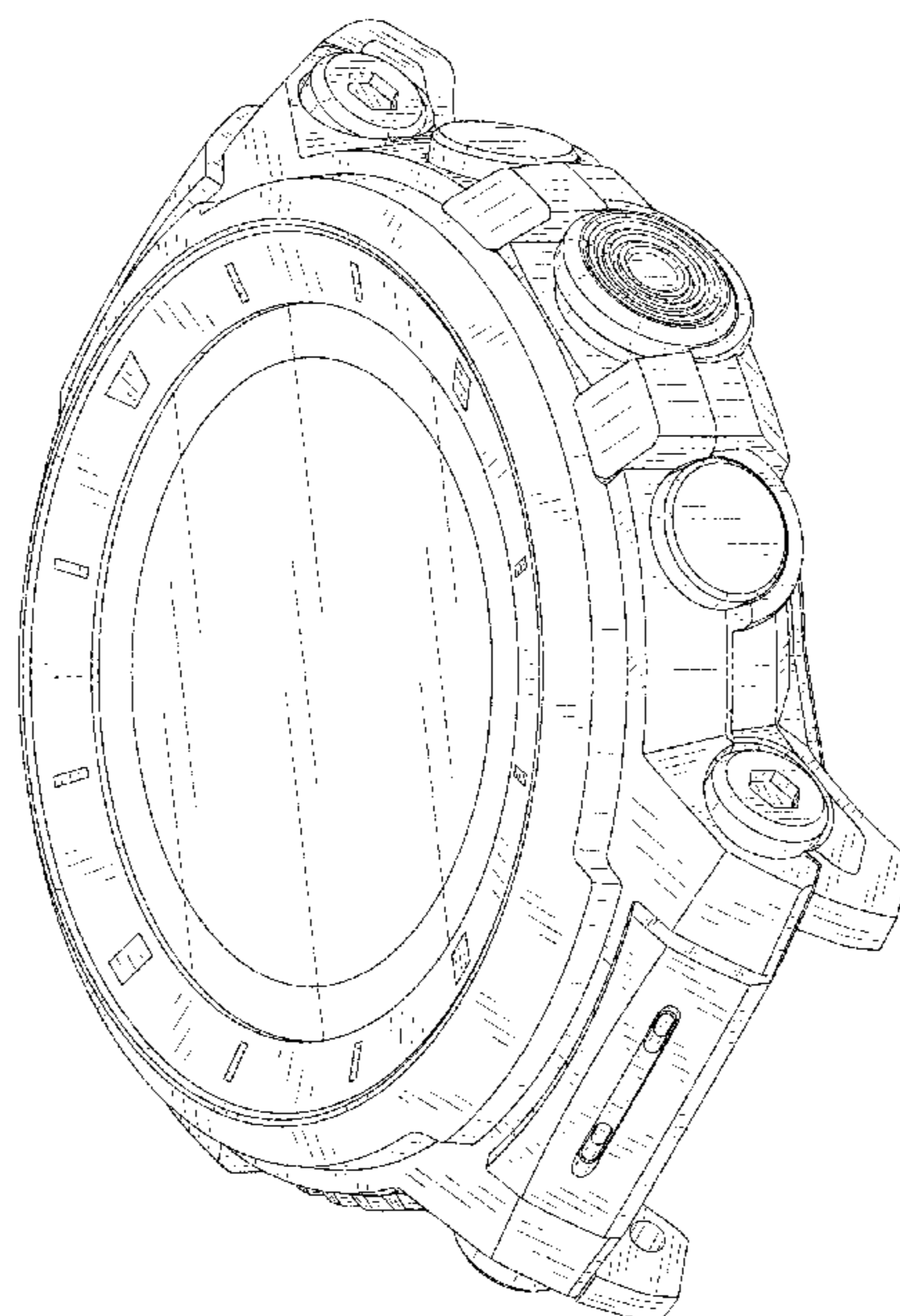
FIG. 7 is a bottom plan view thereof;

FIG. 8 is a reference perspective view thereof, with a wristband attached; and,

FIG. 9 is a reference front elevational view thereof, showing an example of a used state.

The broken lines showing portions of the article illustrate environmental structure only and form no part of the claimed design.

1 Claim, 8 Drawing Sheets



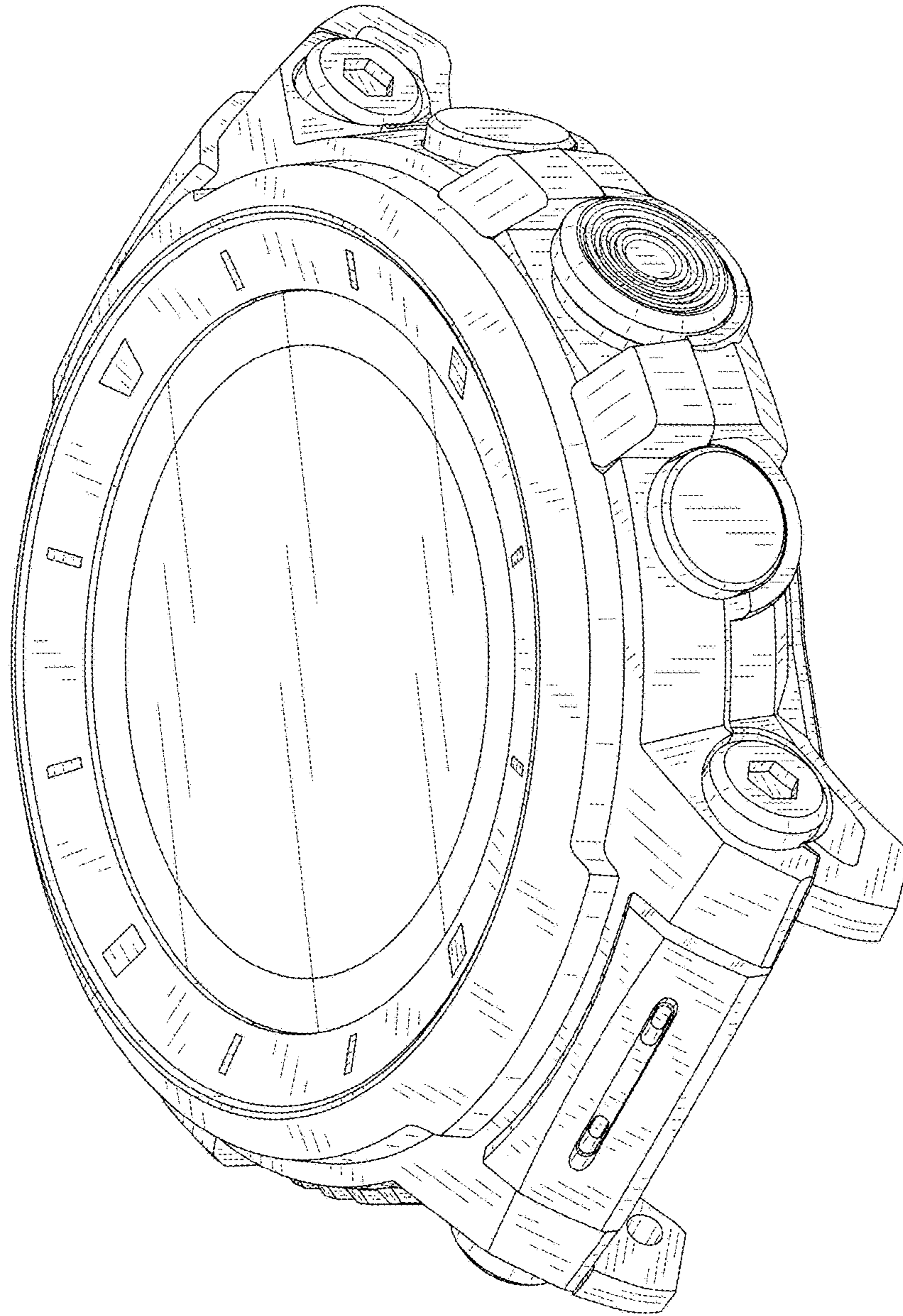


FIG. 1

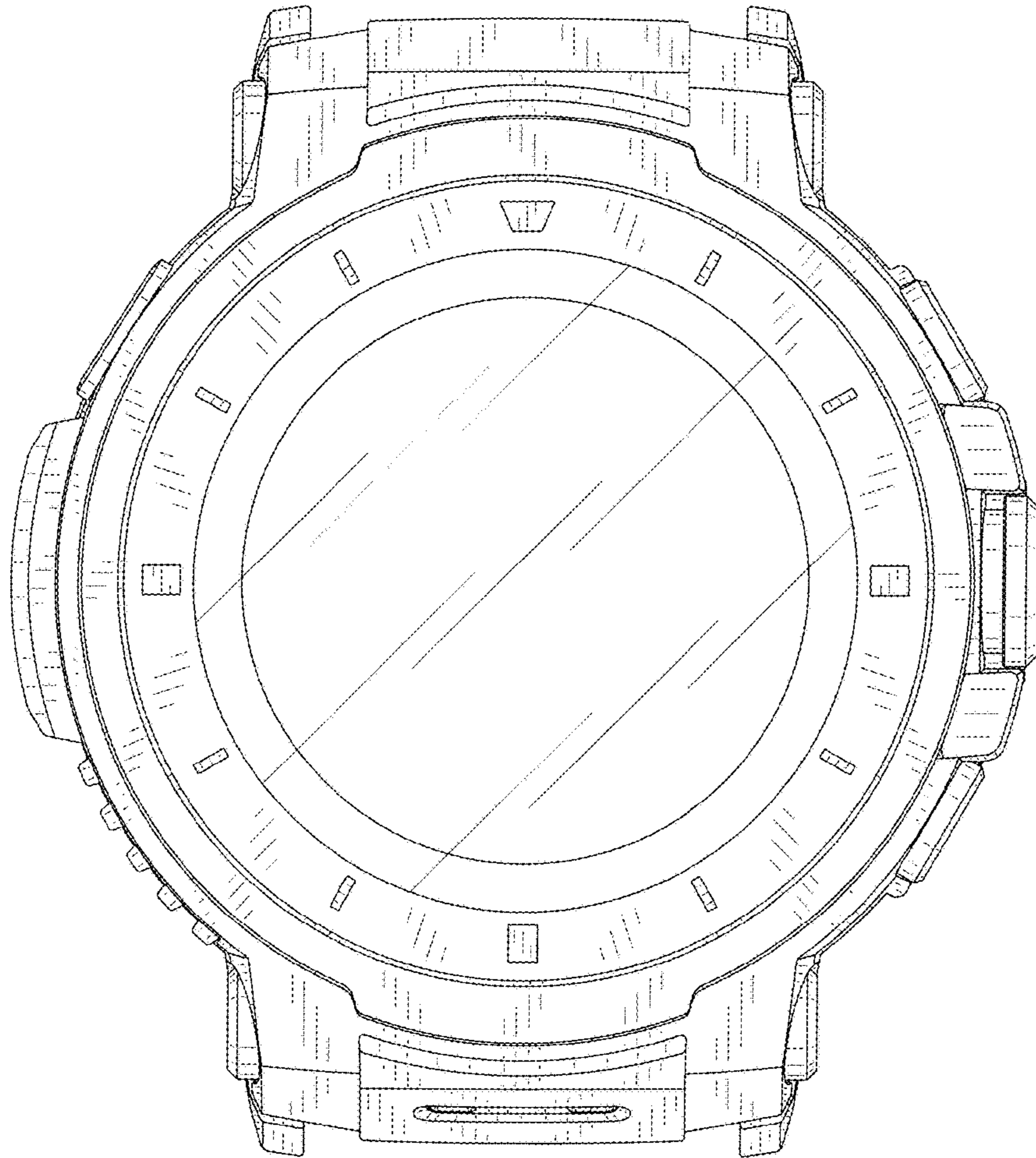


FIG. 2

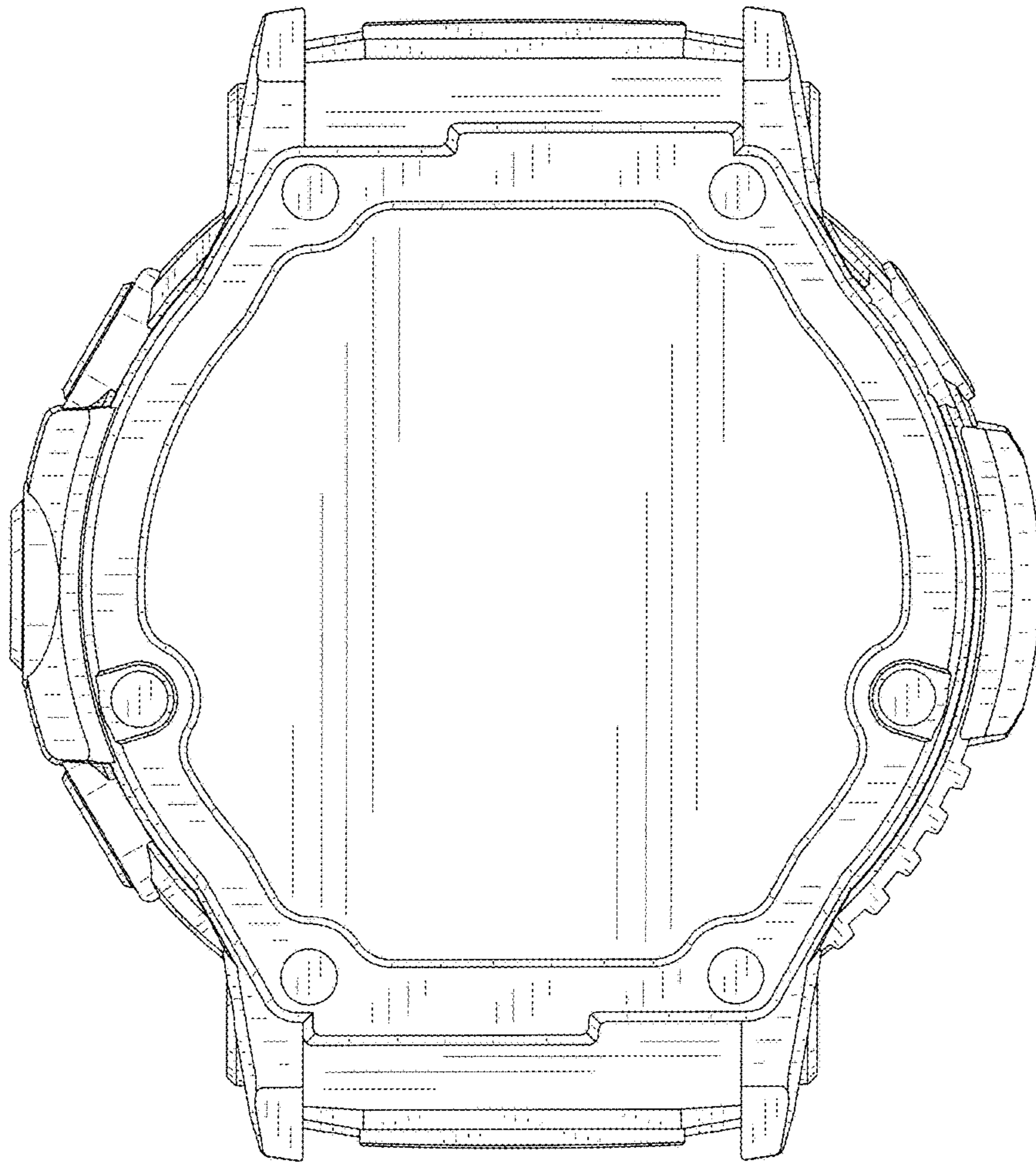


FIG. 3

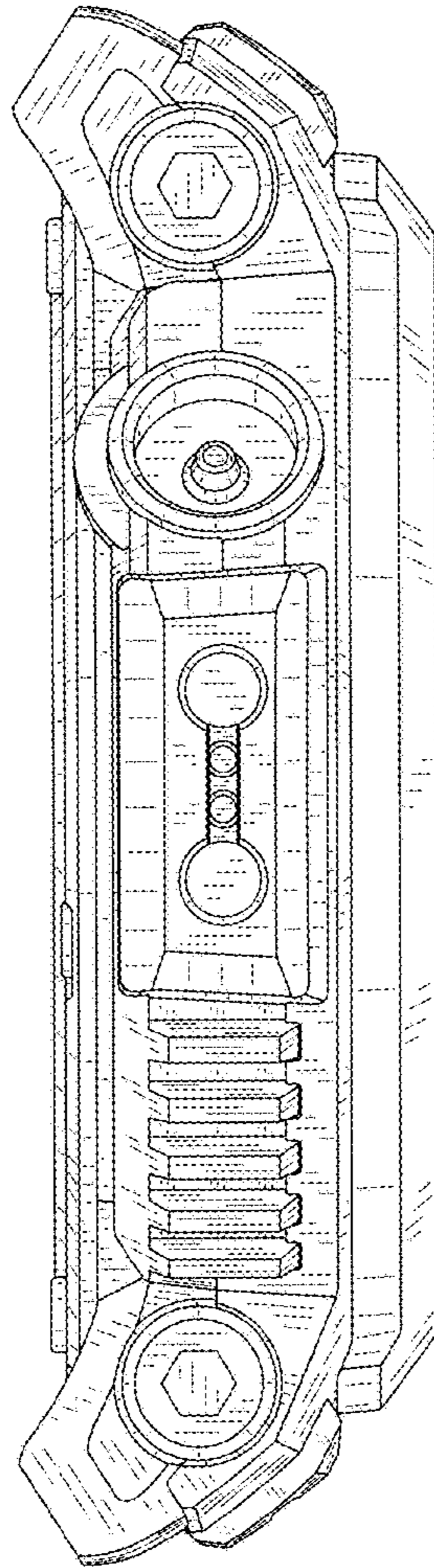


FIG. 4

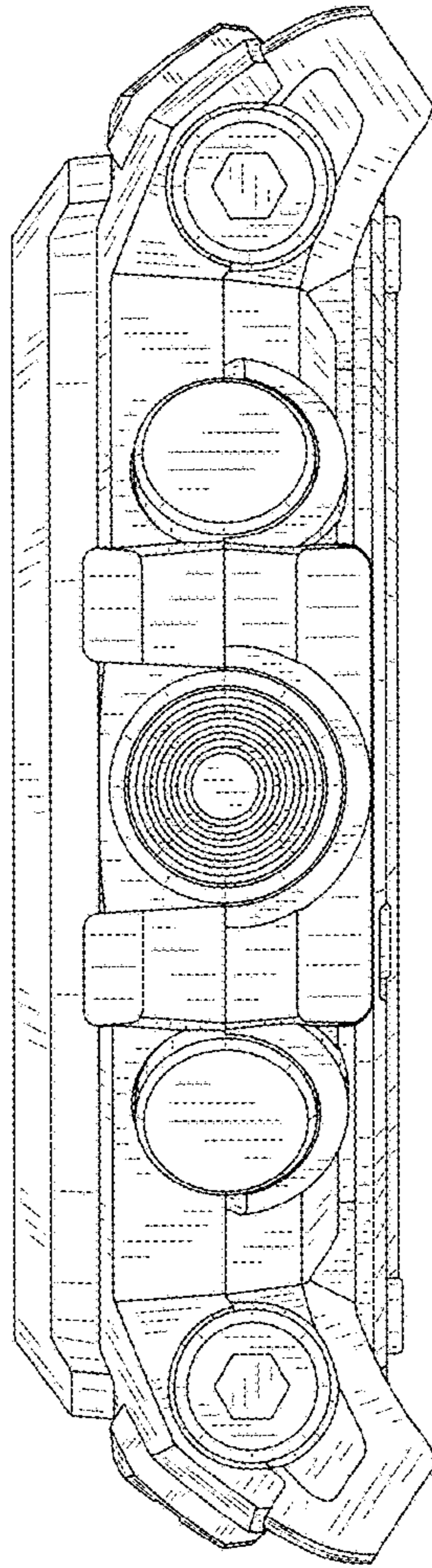


FIG. 5

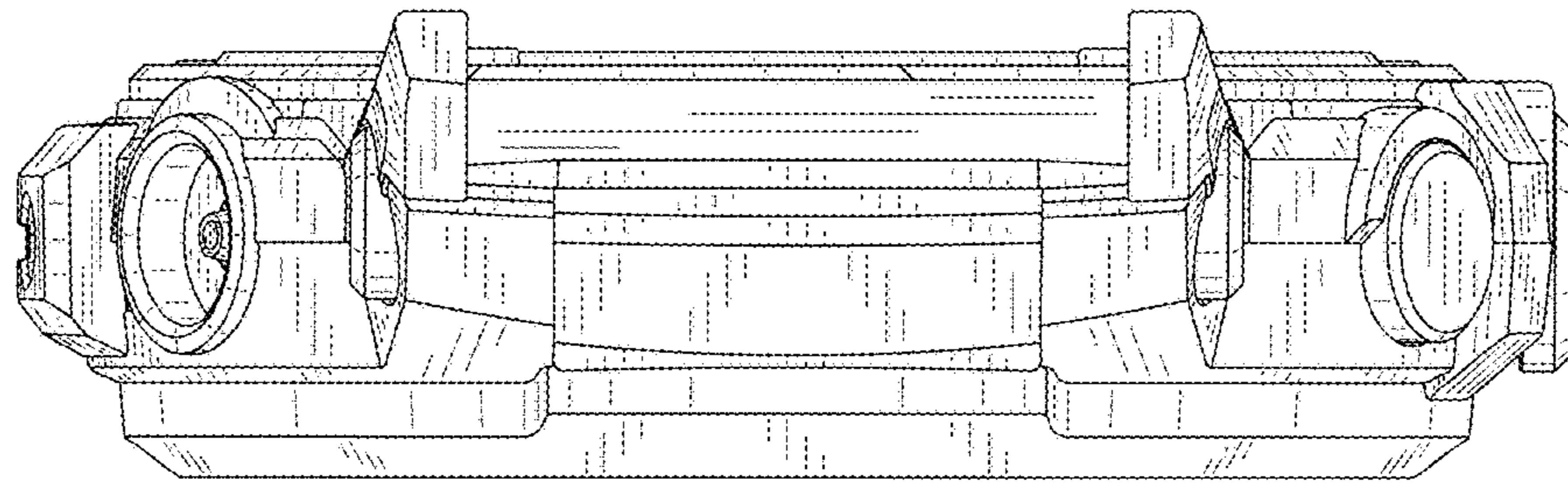


FIG. 6

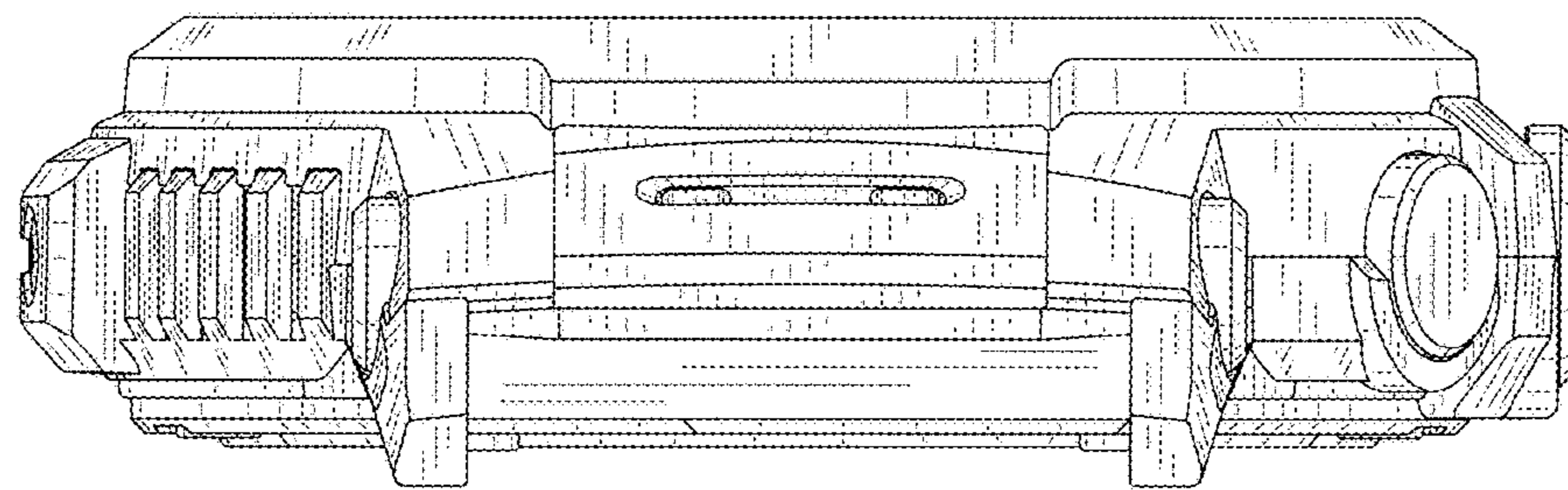


FIG. 7

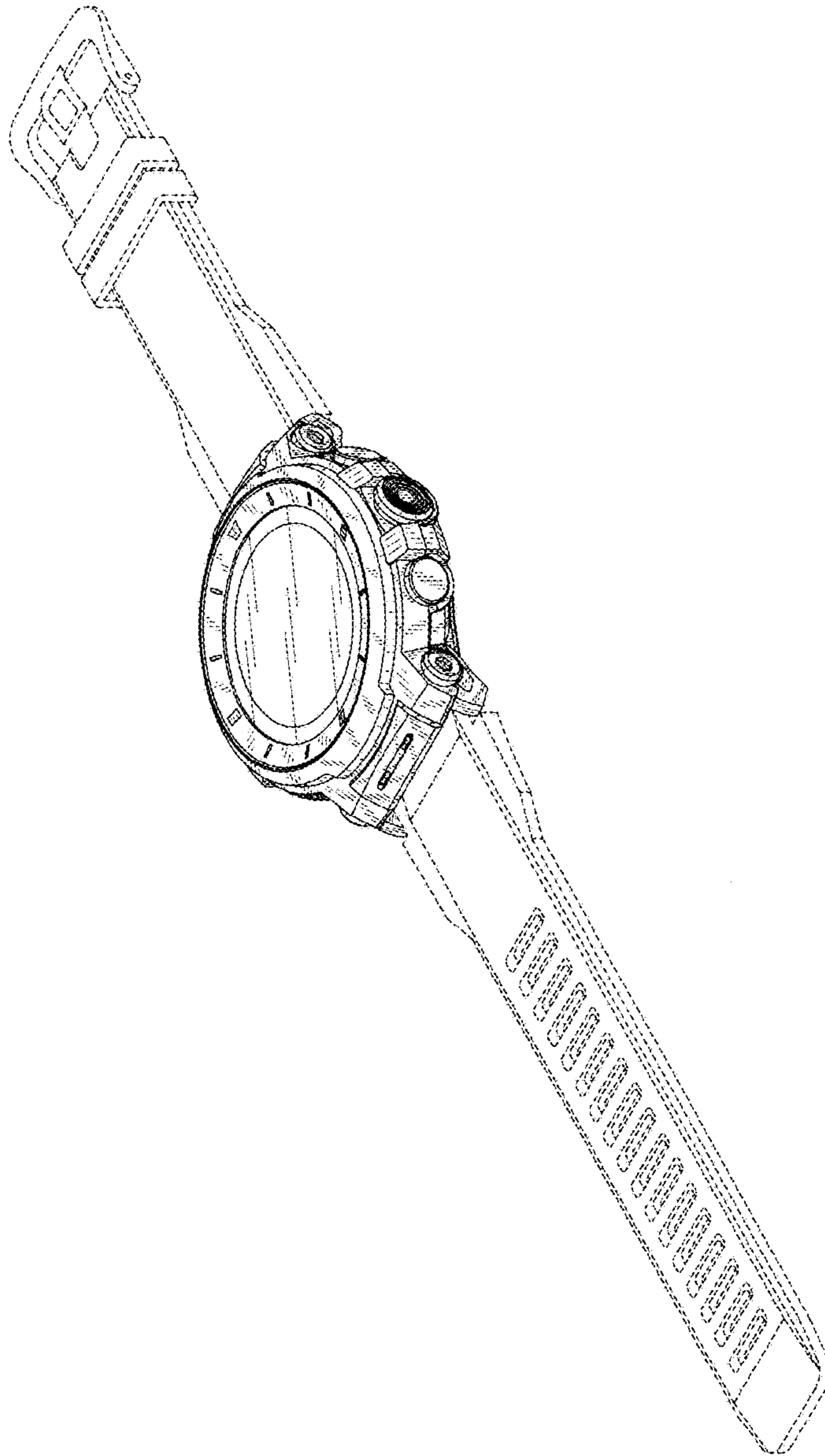


FIG. 8



FIG. 9