

US00D860833S

(12) **United States Design Patent** (10) **Patent No.:** **US D860,833 S**  
**Medina et al.** (45) **Date of Patent:** **\*\* Sep. 24, 2019**

- (54) **LEVEL FOR PICTURE HANGING**
- (71) Applicants: **Donald Arthur Medina**, Lake Havasu City, AZ (US); **Nelson O. Broce, Jr.**, Lake Havasu City, AZ (US)
- (72) Inventors: **Donald Arthur Medina**, Lake Havasu City, AZ (US); **Nelson O. Broce, Jr.**, Lake Havasu City, AZ (US)
- (\*\*) Term: **15 Years**
- (21) Appl. No.: **29/651,095**
- (22) Filed: **Dec. 11, 2017**
- (51) **LOC (12) Cl.** ..... **10-04**
- (52) **U.S. Cl.**  
USPC ..... **D10/69; 62/71**
- (58) **Field of Classification Search**  
USPC ..... **D10/62, 69, 71**  
CPC ..... **G01C 9/26; G01C 9/28**  
See application file for complete search history.

*Primary Examiner* — Antoine Duval Davis  
 (74) *Attorney, Agent, or Firm* — Gokalp Bayramoglu

(57) **CLAIM**

The ornamental design for the level for picture hanging, as shown and described.

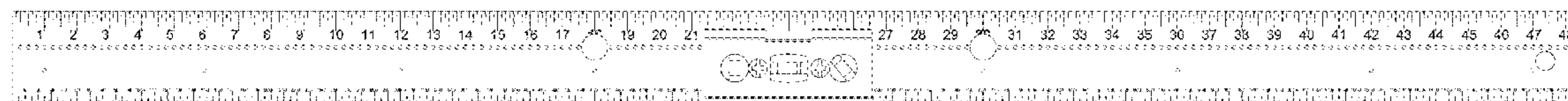
**DESCRIPTION**

FIG. 1 is a front elevational view of a level for picture hanging showing our new design;  
 FIG. 2 is an enlarged perspective view showing the top portion thereof;  
 FIG. 3 is an enlarged perspective view showing the bottom portion thereof; and,  
 FIG. 4 is another enlarged perspective view thereof.  
 The broken lines depict portions of the level for picture hanging in which the design is embodied that form no part of the claimed design.

- (56) **References Cited**  
 U.S. PATENT DOCUMENTS  
 D694,135 S \* 11/2013 Kershaw ..... D10/69  
 D786,105 S \* 5/2017 Heitstuman ..... D10/69

\* cited by examiner

**1 Claim, 4 Drawing Sheets**



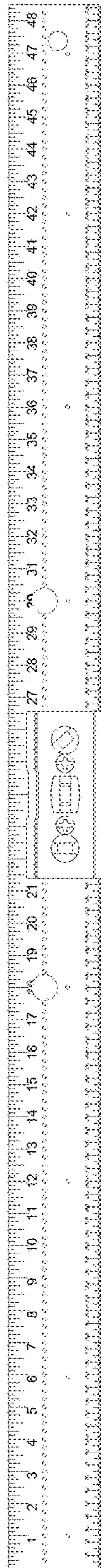


FIG. 1

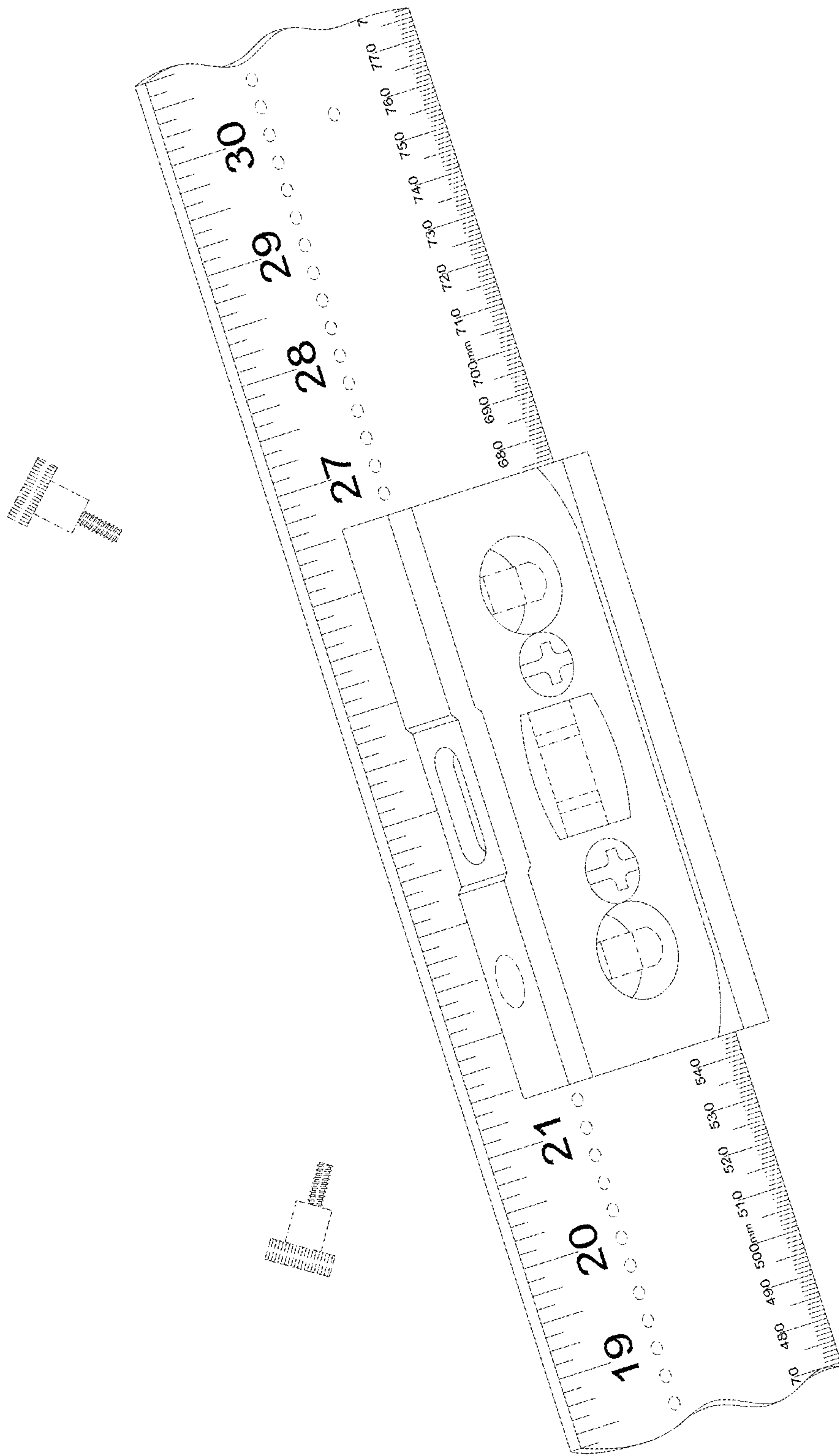


FIG. 2

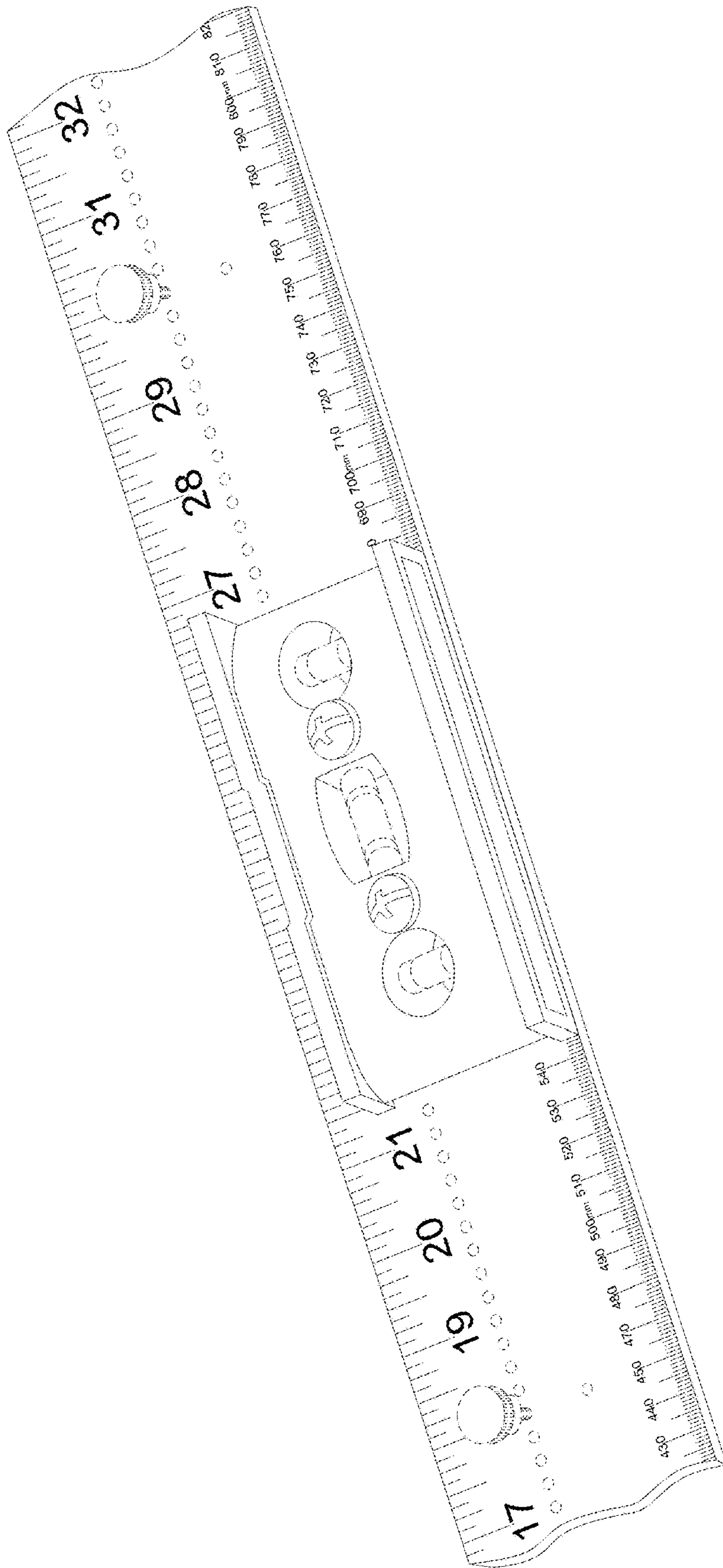


FIG. 3

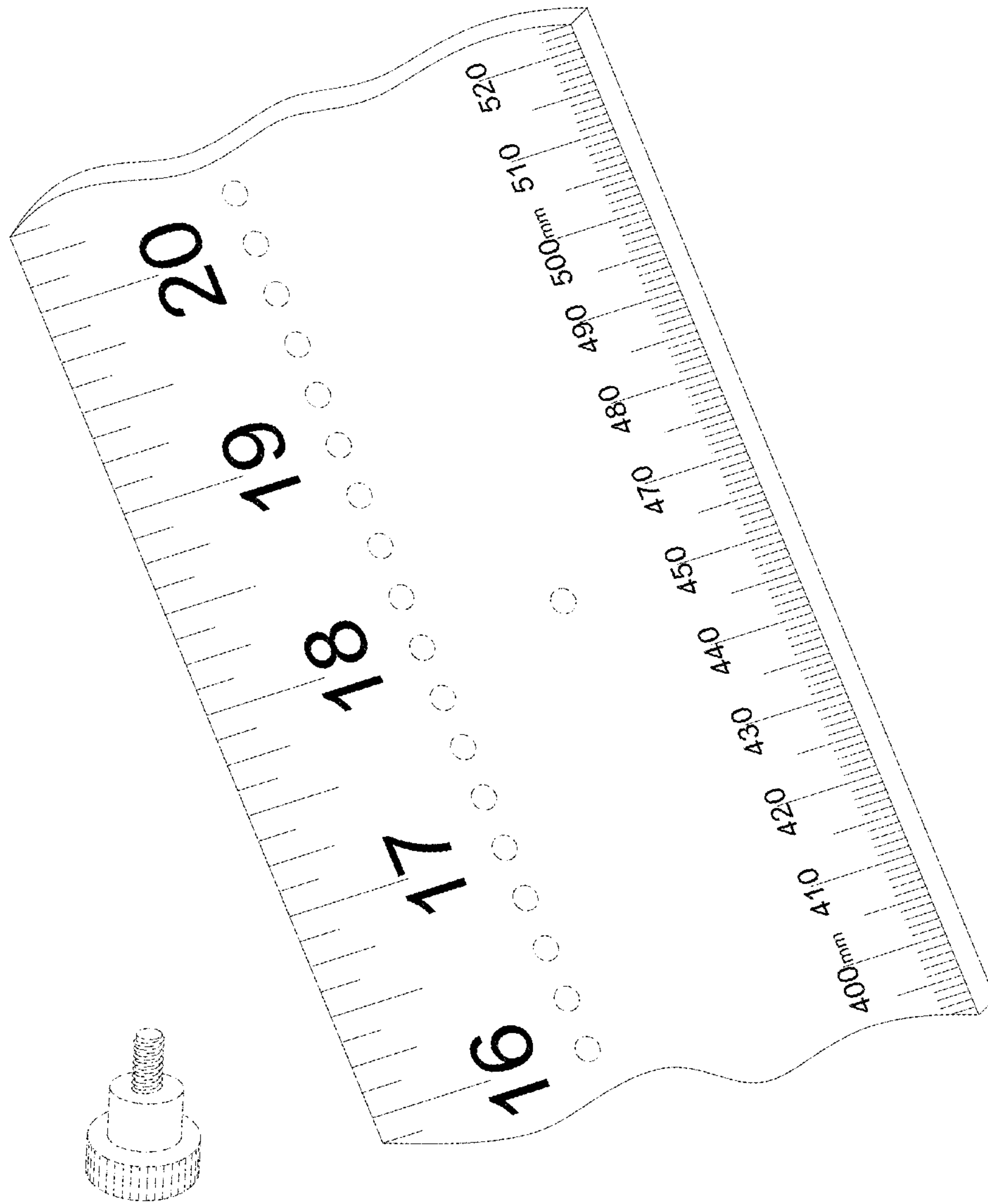


FIG. 4