



US00D860832S

(12) **United States Design Patent**
Illouz

(10) **Patent No.:** **US D860,832 S**

(45) **Date of Patent:** **** Sep. 24, 2019**

(54) **THERMOSTAT MOUNT**

(71) Applicant: **Shalom Illouz**, Los Angeles, CA (US)

(72) Inventor: **Shalom Illouz**, Los Angeles, CA (US)

(**) Term: **15 Years**

(21) Appl. No.: **29/657,279**

(22) Filed: **Jul. 20, 2018**

(51) **LOC (12) Cl.** **10-04**

(52) **U.S. Cl.**
USPC **D10/60**

(58) **Field of Classification Search**

USPC D10/60; D13/177, 184, 199
CPC G01K 1/00; G01K 1/02; G01K 1/024;
G01K 1/14; G01K 1/143; G01K 1/146;
G01K 13/02; G01K 13/002; F16M 13/00;
F16M 13/005; H02G 3/08; H02G 3/081;
H02G 3/083; H02G 3/10; H02G 3/12;
H02G 3/121; H02G 3/123

See application file for complete search history.

(56) **References Cited**

U.S. PATENT DOCUMENTS

9,167,667 B2 * 10/2015 Trolese F21S 8/024
10,078,346 B2 * 9/2018 Lay G06F 1/1616
10,205,310 B1 * 2/2019 Gretz H02G 3/085

* cited by examiner

Primary Examiner — Antoine Duval Davis

(74) *Attorney, Agent, or Firm* — Cotman IP Law Group, PLC

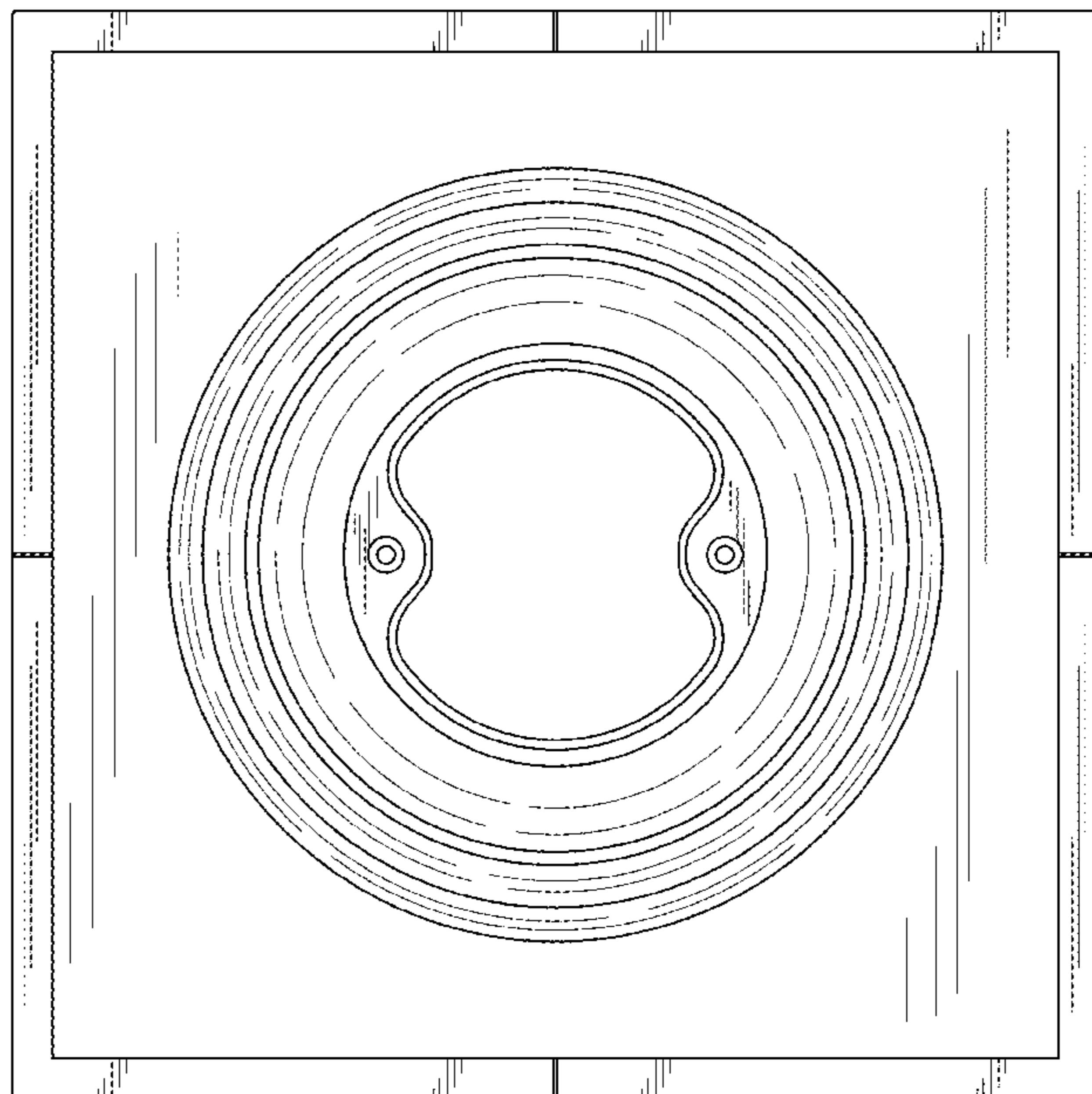
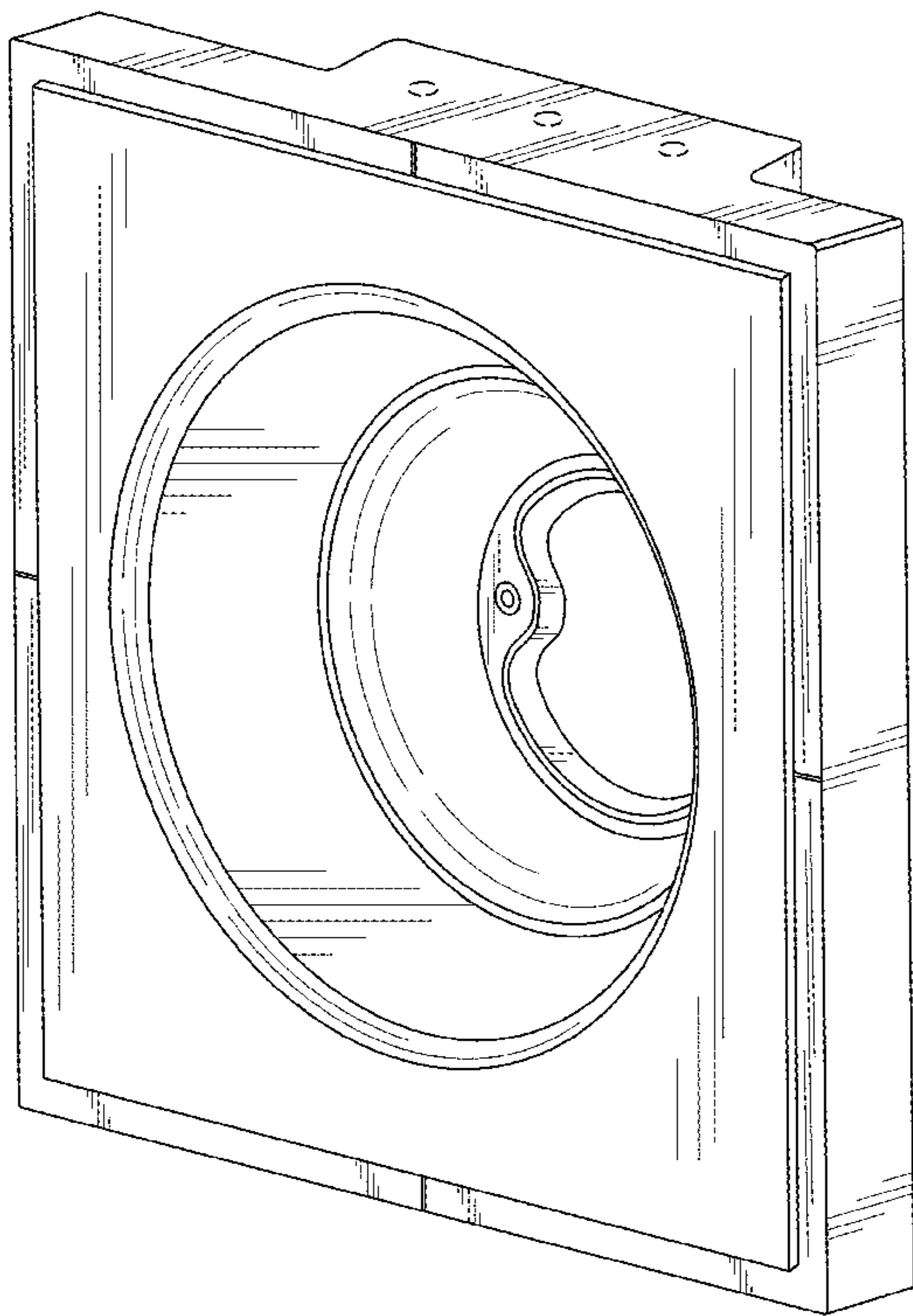
(57) **CLAIM**

The ornamental design for a thermostat mount, as shown and described.

DESCRIPTION

FIG. 1A is a perspective view of a thermostat mount showing the new design;
FIG. 1B is a front elevation view of the thermostat mount; and,
FIG. 1C is a front elevation view of the thermostat mount with a thermostat.
The thermostat mount includes a plain and unornamented top, bottom, left, right, and rear which are not shown; and The broken line showing of a thermostat in FIG. 1C is included for the purpose of illustrating environmental matter and forms no part of the claimed design.

1 Claim, 3 Drawing Sheets



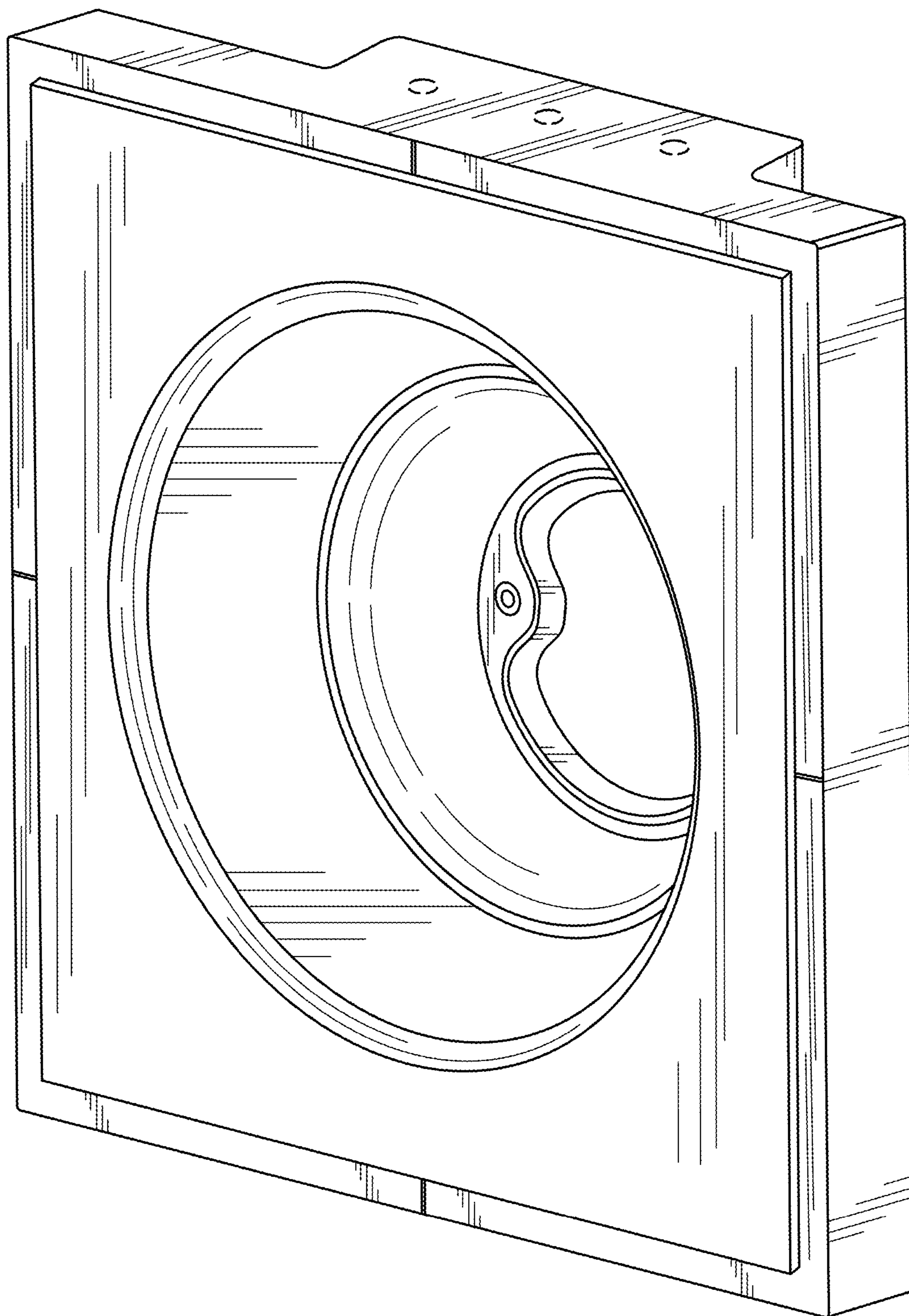


FIG. 1A

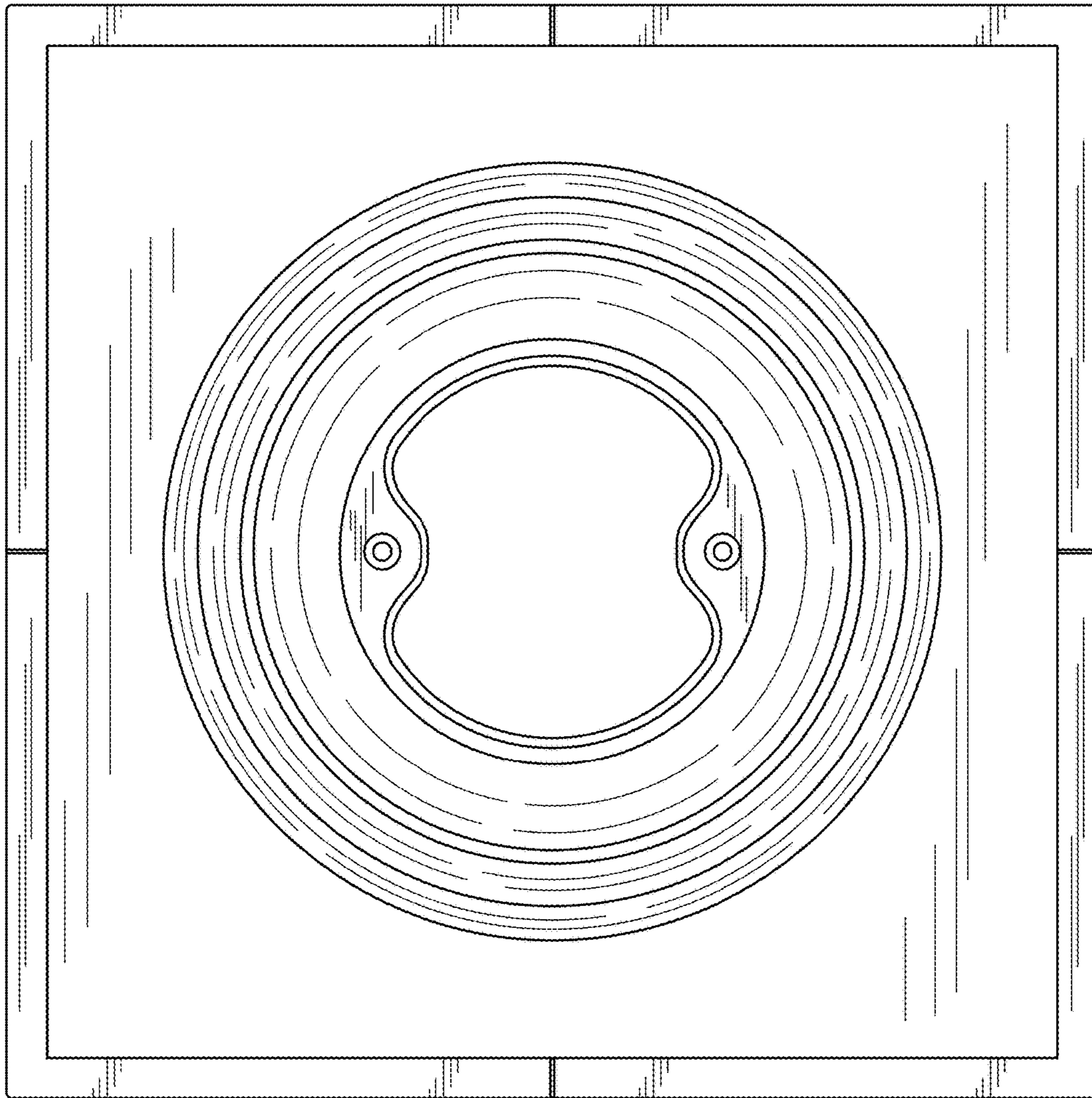


FIG. 1B

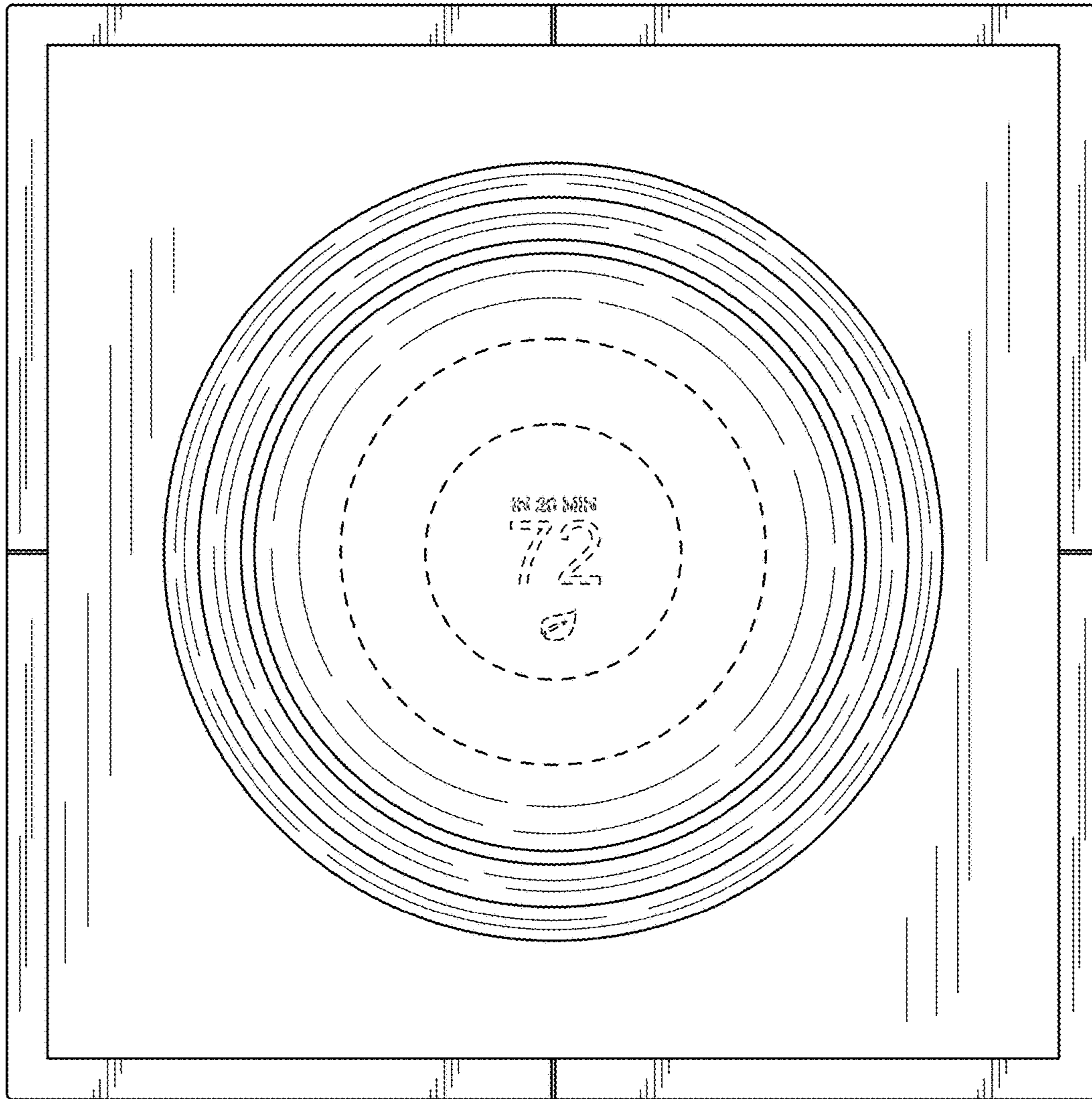


FIG. 1C