

US00D860831S

(12) **United States Design Patent**
Zou

(10) **Patent No.:** **US D860,831 S**

(45) **Date of Patent:** **** Sep. 24, 2019**

(54) **DIGITAL THERMOMETER**

(71) Applicant: **GOLDGOOD INSTRUMENT (HK) INDUSTRY LIMITED**, Hong Kong (CN)

(72) Inventor: **San Zou**, Hong Kong (CN)

(73) Assignee: **GOLDGOOD INSTRUMENT (HK) INDUSTRY LIMITED**, Hong Kong (CN)

(**) Term: **15 Years**

(21) Appl. No.: **29/660,587**

(22) Filed: **Aug. 21, 2018**

(51) **LOC (12) Cl.** **10-04**

(52) **U.S. Cl.**
USPC **D10/57**

(58) **Field of Classification Search**
USPC D10/57

CPC G01K 1/02; G01K 1/022; G01K 1/024;
G01K 1/08; G01K 1/083; G01K 1/086;
G01K 3/00-3/14; G01K 2003/145; G01K
13/002; G01K 13/004; G01K 2219/00;
G01K 5/04-5/225; G01K 5/22; G01K
221/00

See application file for complete search history.

(56) **References Cited**

U.S. PATENT DOCUMENTS

D299,812 S * 2/1989 Sakaguchi D10/103
D330,169 S * 10/1992 Yajima D10/57

D421,925 S * 3/2000 Lin D10/57
D723,952 S * 3/2015 Gross D10/57
D751,932 S * 3/2016 Chong D10/57
D795,098 S * 8/2017 Alla D10/57
D795,100 S * 8/2017 Alla D10/57
D795,101 S * 8/2017 Alla D10/57
D809,945 S * 2/2018 Prommel D10/57
D830,535 S * 10/2018 Muther D24/109
D837,668 S * 1/2019 Zou D10/57
D849,571 S * 5/2019 Yu D10/57

* cited by examiner

Primary Examiner — Antoine Duval Davis

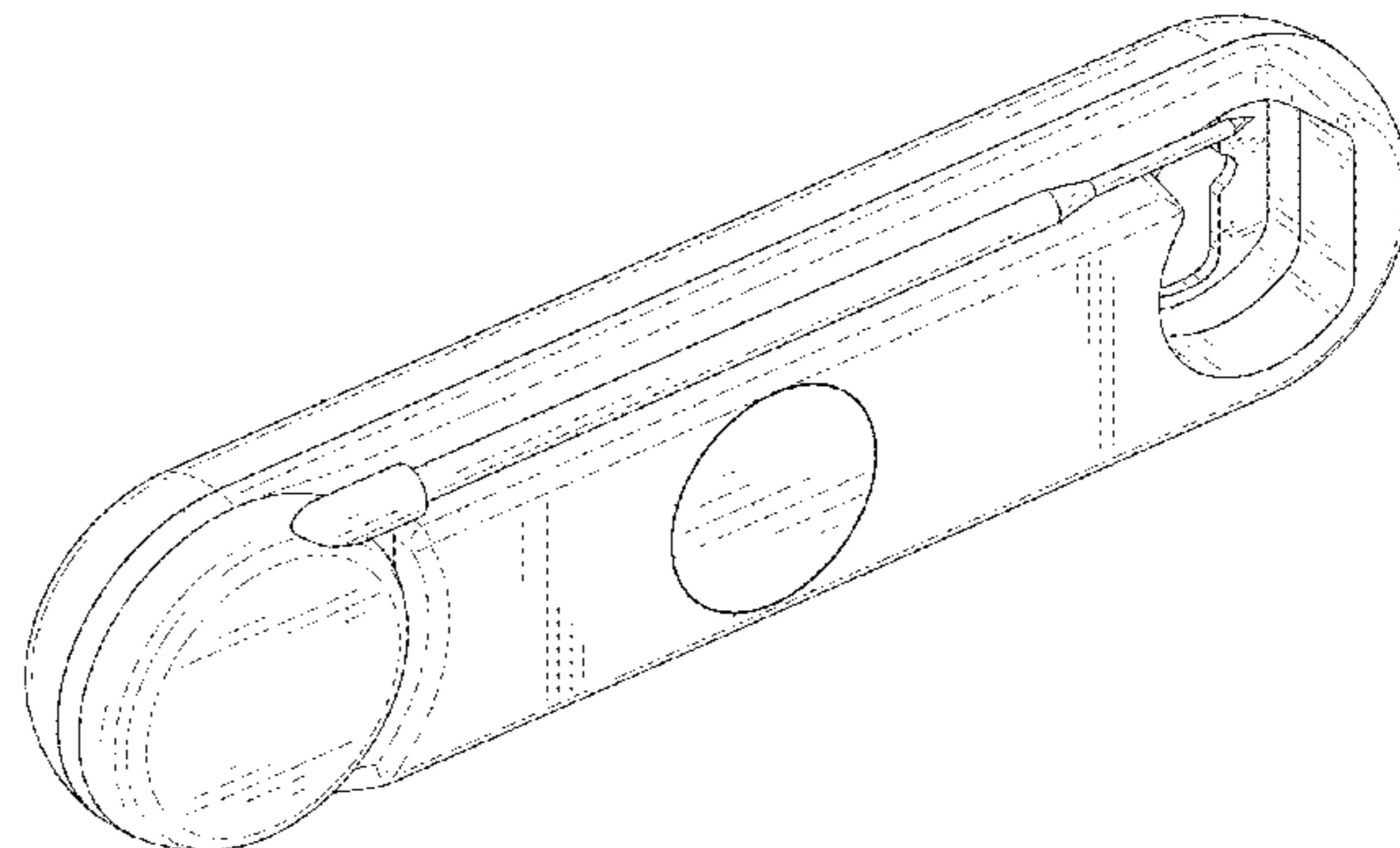
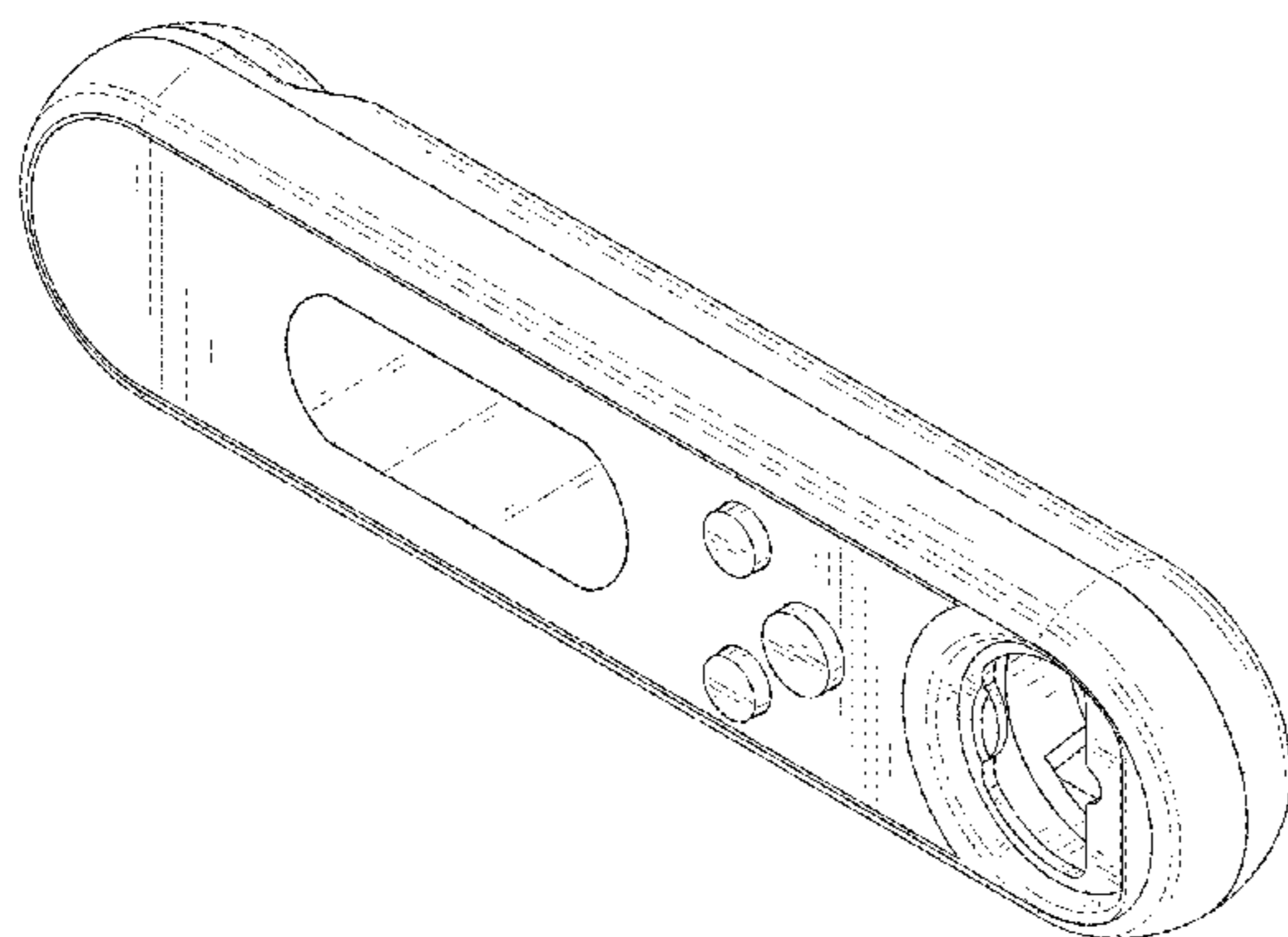
(57) **CLAIM**

The ornamental design for a digital thermometer, as shown and described.

DESCRIPTION

FIG. 1 is a perspective view of the digital thermometer showing my new design;
FIG. 2 is another perspective view thereof;
FIG. 3 is a front elevational view thereof;
FIG. 4 is a rear elevational view thereof;
FIG. 5 is a left side elevational view thereof;
FIG. 6 is a right side elevational view thereof;
FIG. 7 is a top plan view thereof; and,
FIG. 8 is a bottom plan view thereof.

1 Claim, 8 Drawing Sheets



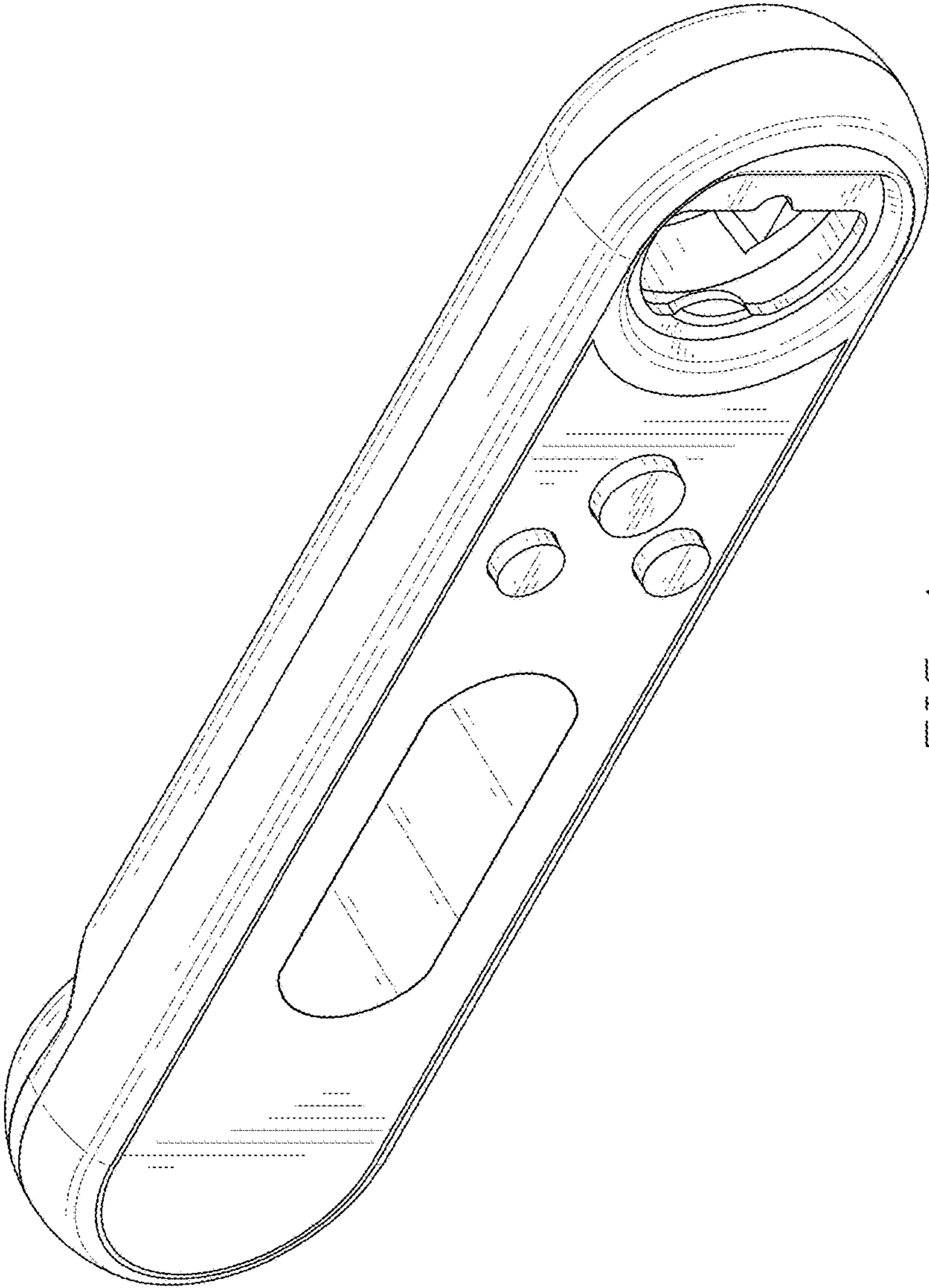


FIG. 1

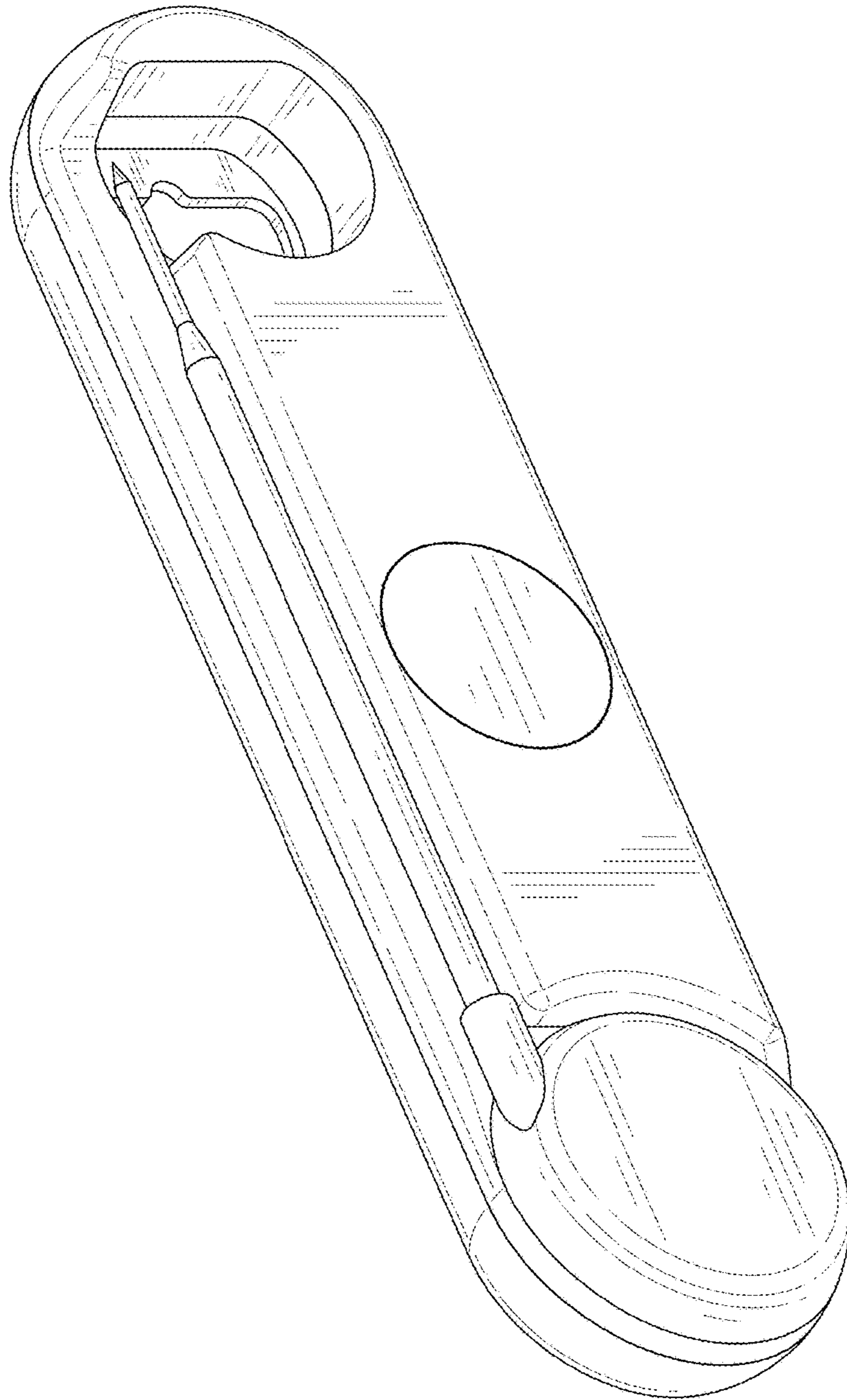


FIG. 2

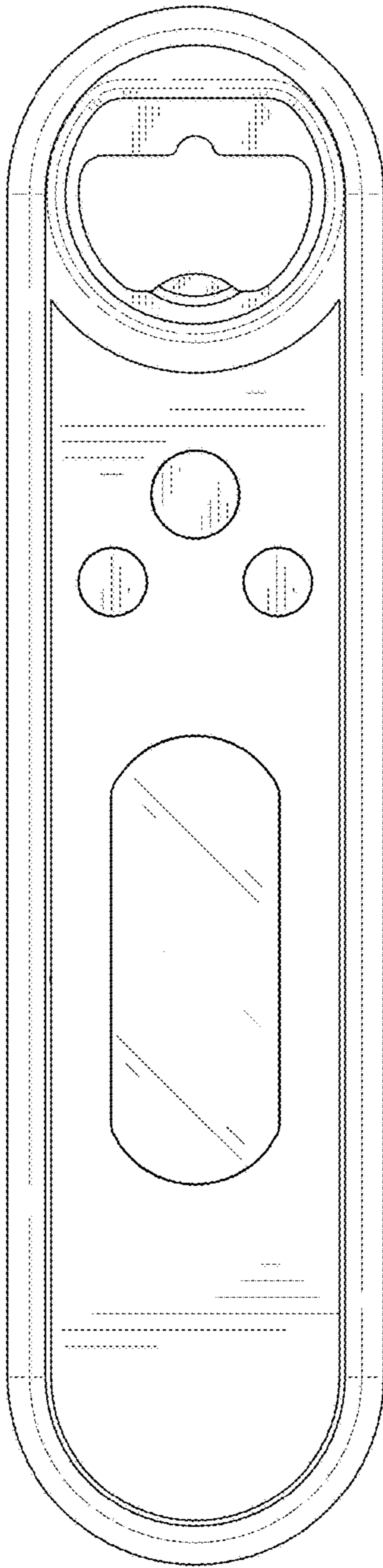


FIG. 3

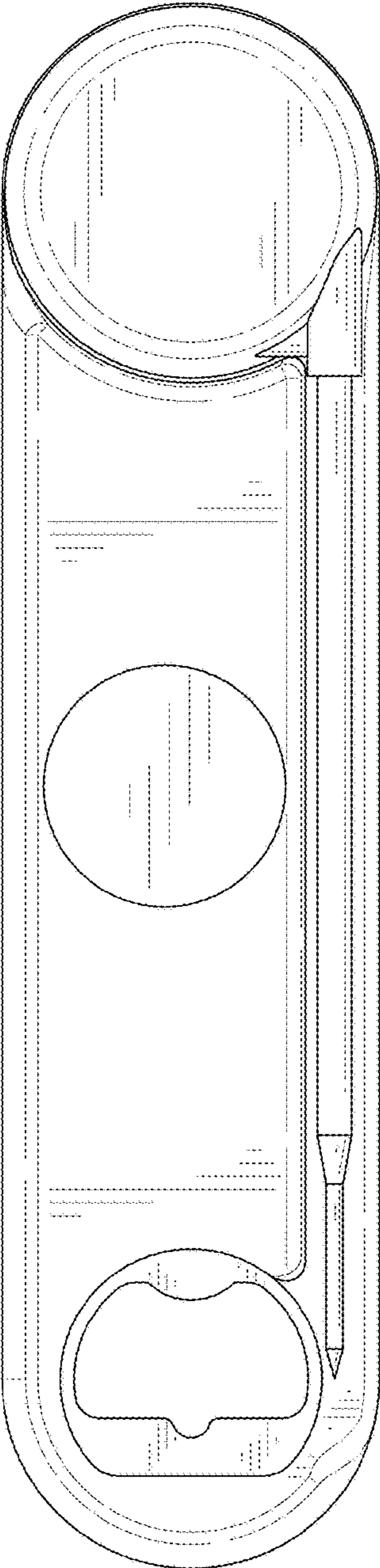


FIG. 4

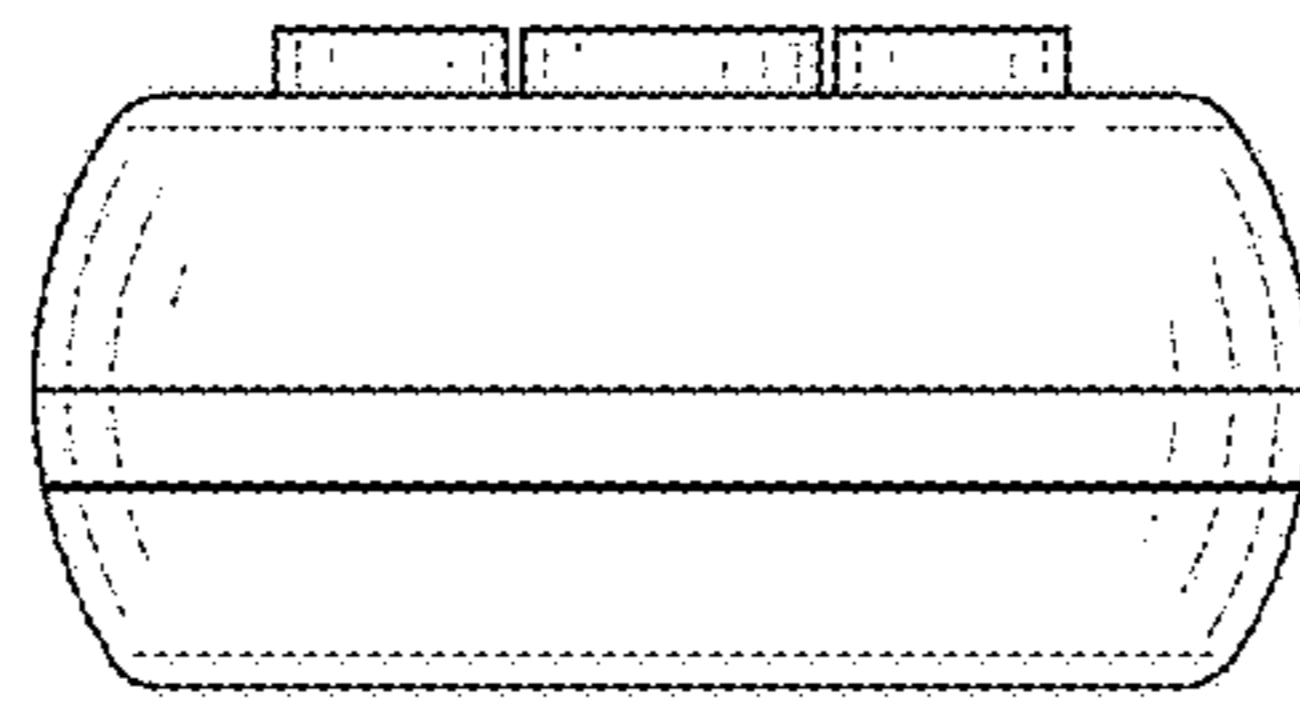


FIG. 5

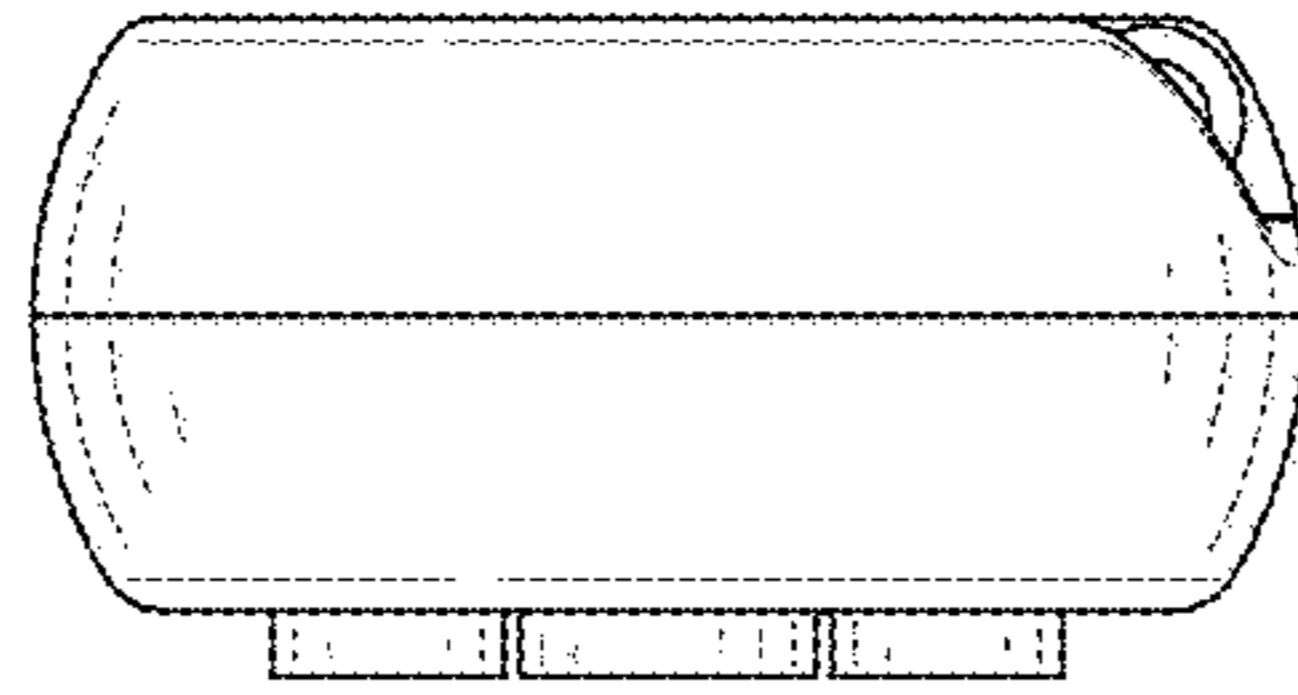


FIG. 6

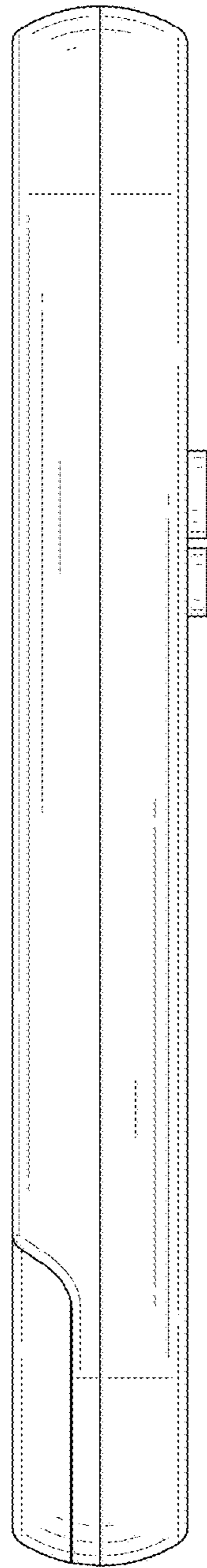


FIG. 7

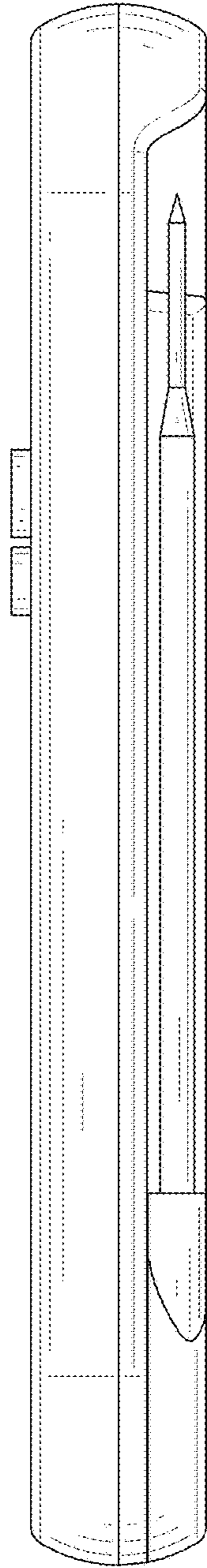


FIG. 8