

US00D860830S

(12) **United States Design Patent**
Carrière

(10) **Patent No.: US D860,830 S**

(45) **Date of Patent: ** Sep. 24, 2019**

(54) **DIGITAL POOL THERMOMETER**

(56) **References Cited**

(71) Applicant: **CPA POOL PRODUCTS, INC.**,
Blainville (CA)

U.S. PATENT DOCUMENTS

D557,622 S * 12/2007 Thompson D10/57
D726,034 S * 4/2015 Chalifoux D10/57

(72) Inventor: **William Carrière**, Pointe-Claire (CA)

* cited by examiner

(73) Assignee: **CPA POOL PRODUCTS, INC.**,
Blainville (CA)

Primary Examiner — Antoine Duval Davis

(74) *Attorney, Agent, or Firm* — Hodgson Russ LLP

(**) Term: **15 Years**

(57) **CLAIM**

The ornamental design for a digital pool thermometer, as shown and described.

(21) Appl. No.: **29/653,954**

DESCRIPTION

(22) Filed: **Jun. 20, 2018**

(51) **LOC (12) Cl.** **10-04**

(52) **U.S. Cl.**
USPC **D10/57**

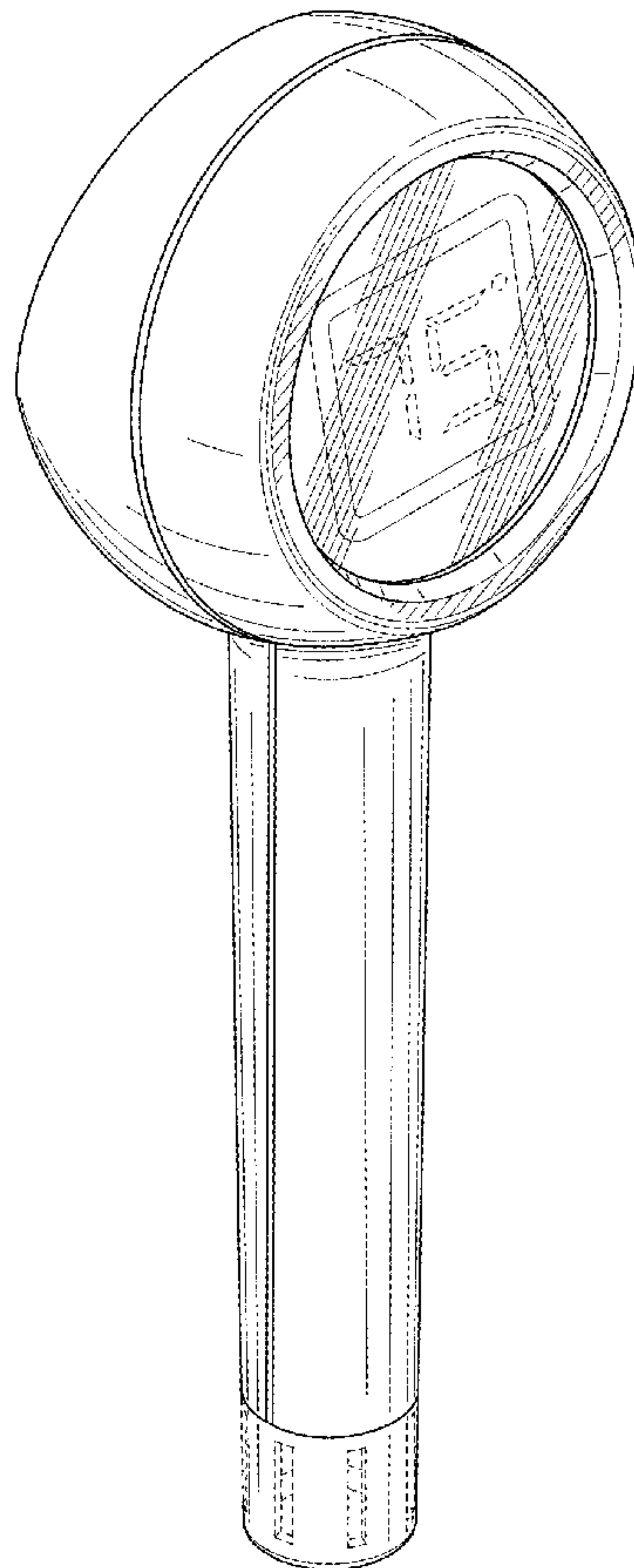
(58) **Field of Classification Search**
USPC D10/57

CPC G01K 1/02; G01K 1/022; G01K 1/024;
G01K 1/08; G01K 1/14; G01K 1/143;
G01K 13/00; G01K 2013/026

See application file for complete search history.

FIG. 1 is a perspective view of a digital pool thermometer showing my new design;
FIG. 2 is a front elevation view thereof;
FIG. 3 is a rear elevation view thereof;
FIG. 4 is a right side elevation view thereof;
FIG. 5 is a left side elevation view thereof;
FIG. 6 is a top plan view thereof; and,
FIG. 7 is a bottom plan view thereof.
The broken lines depict unclaimed features of the digital pool thermometer that form no part of the claimed design.

1 Claim, 5 Drawing Sheets



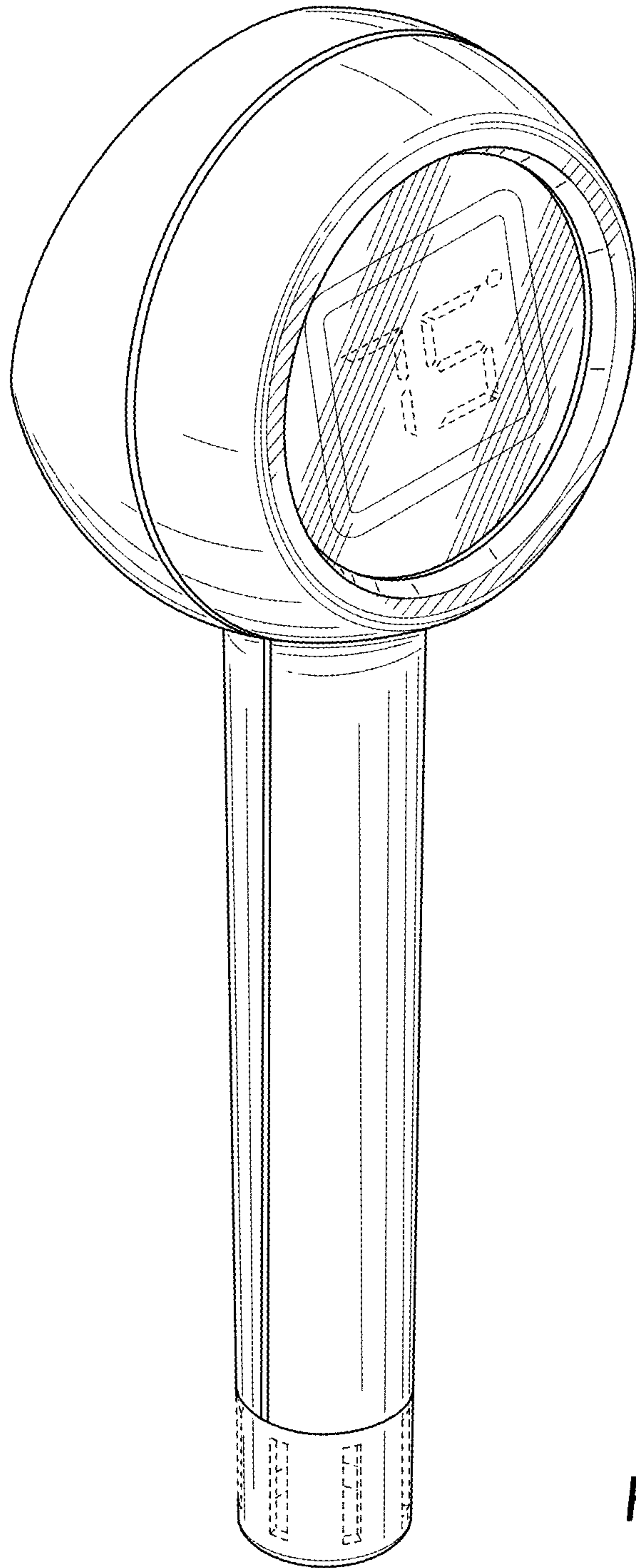


FIG. 1

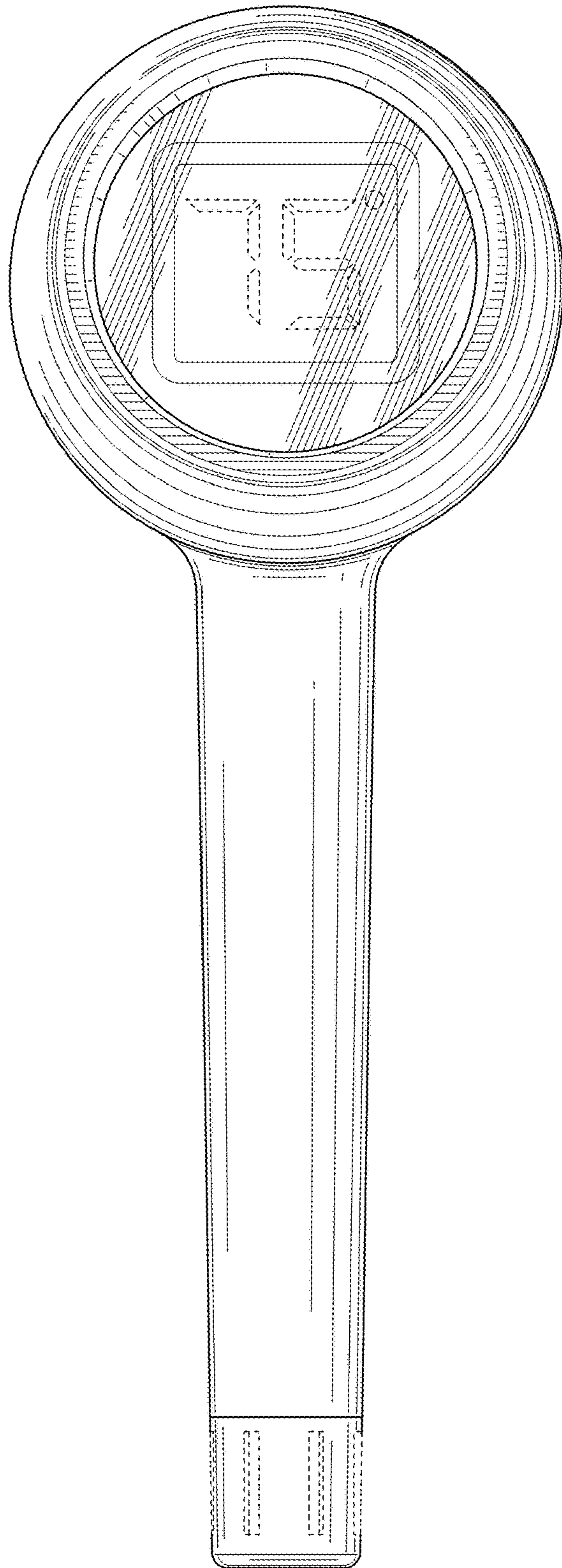


FIG. 2

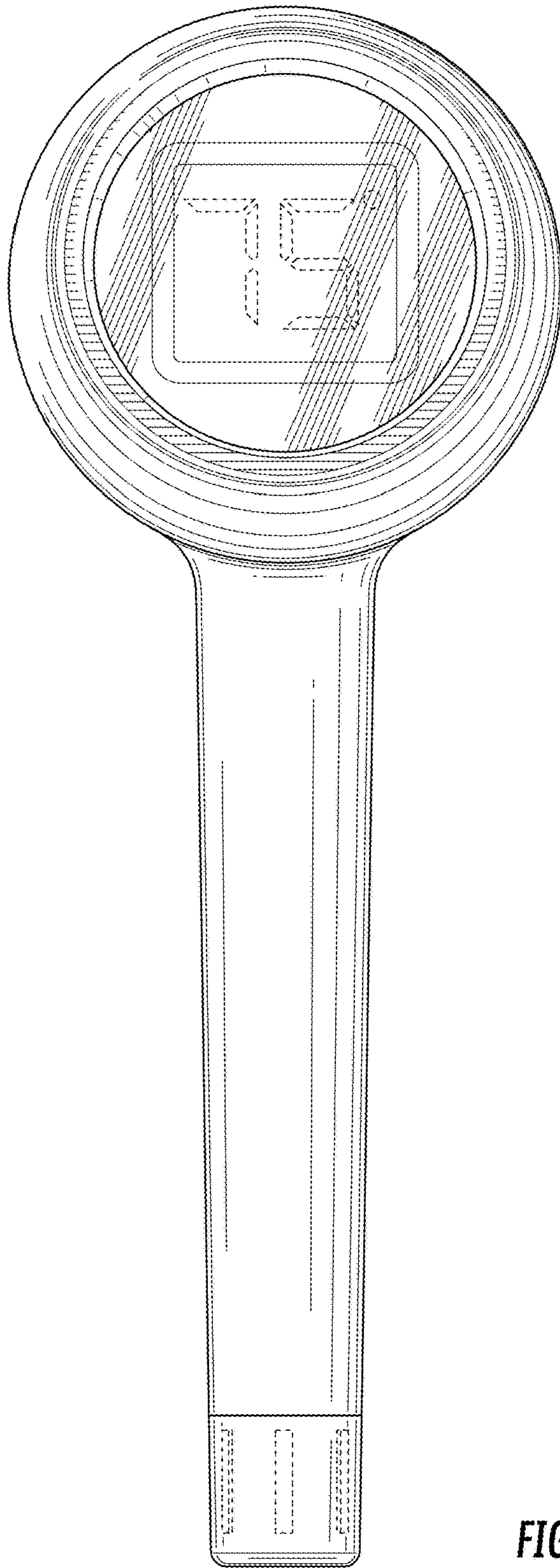


FIG. 3

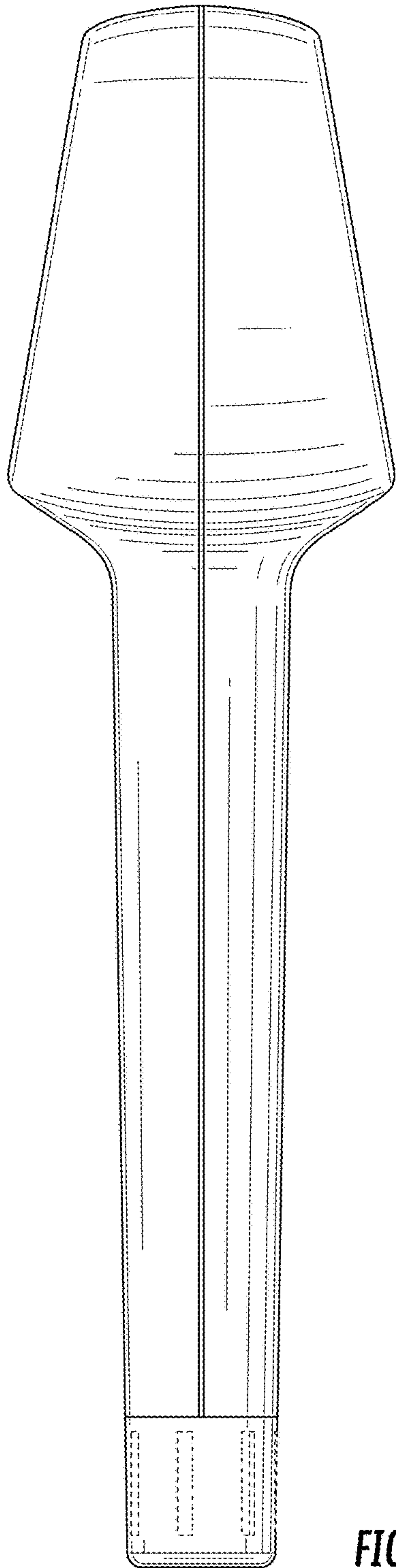


FIG. 4

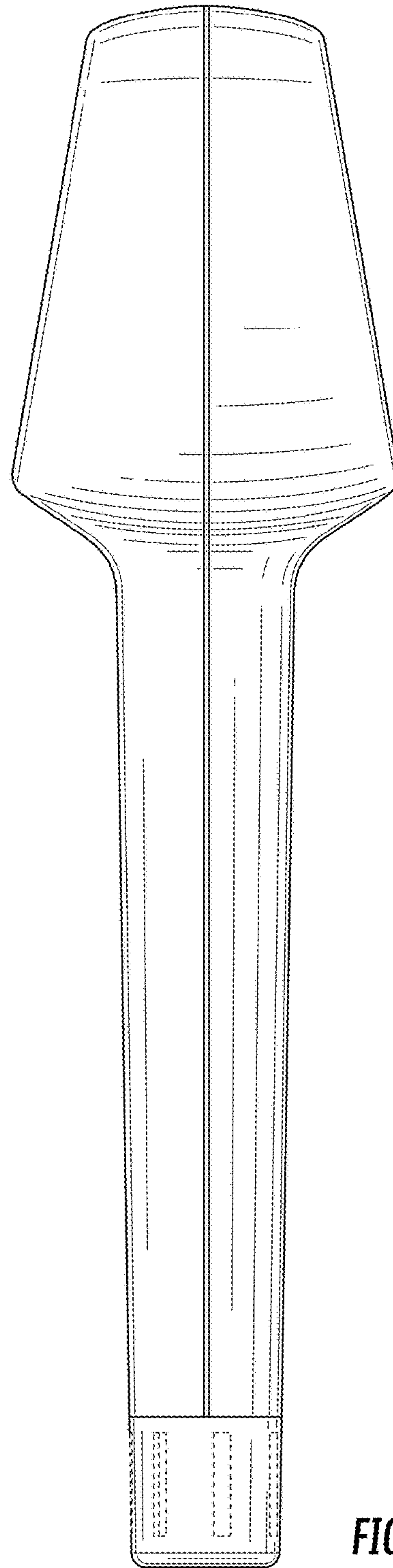


FIG. 5

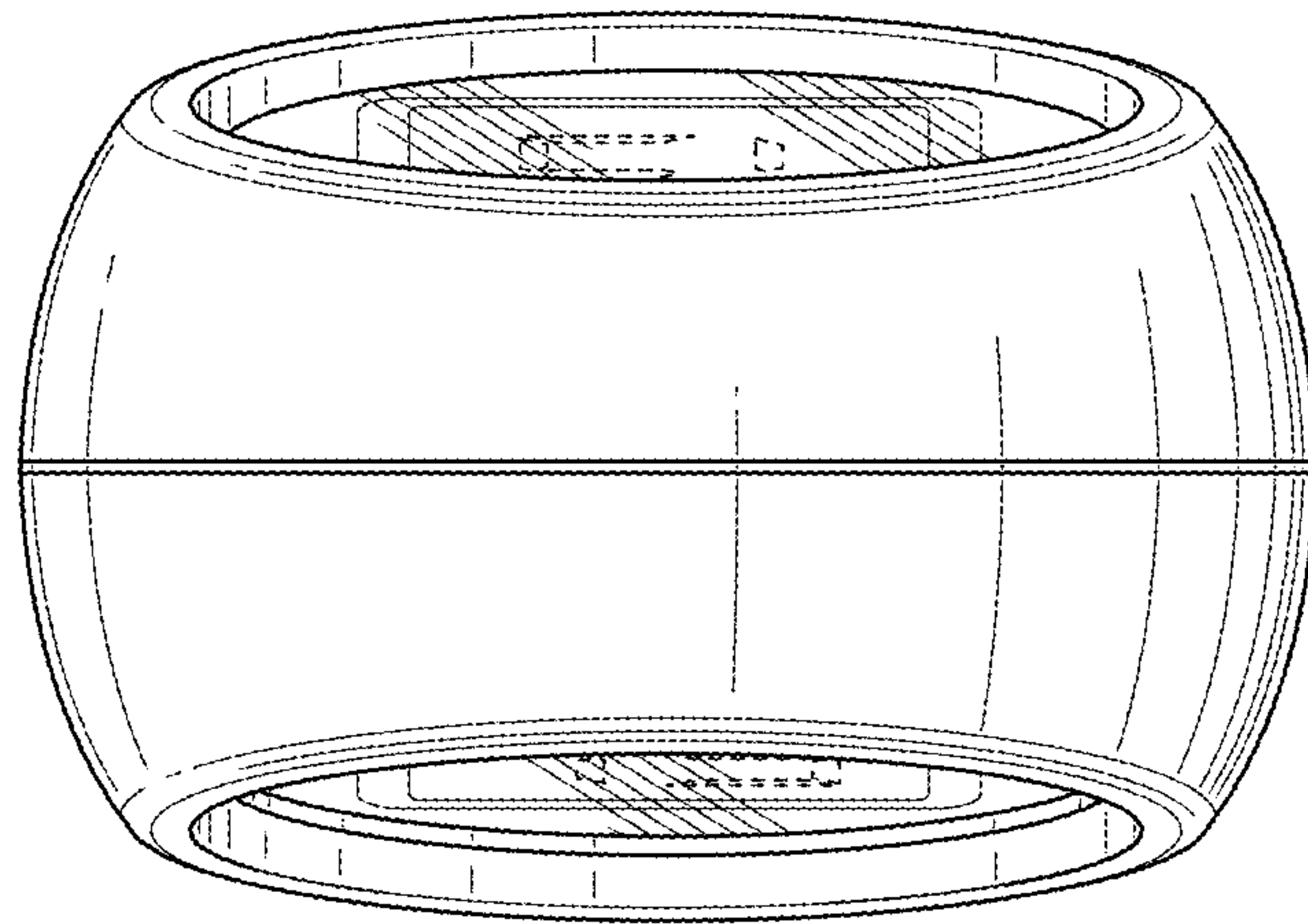


FIG. 6

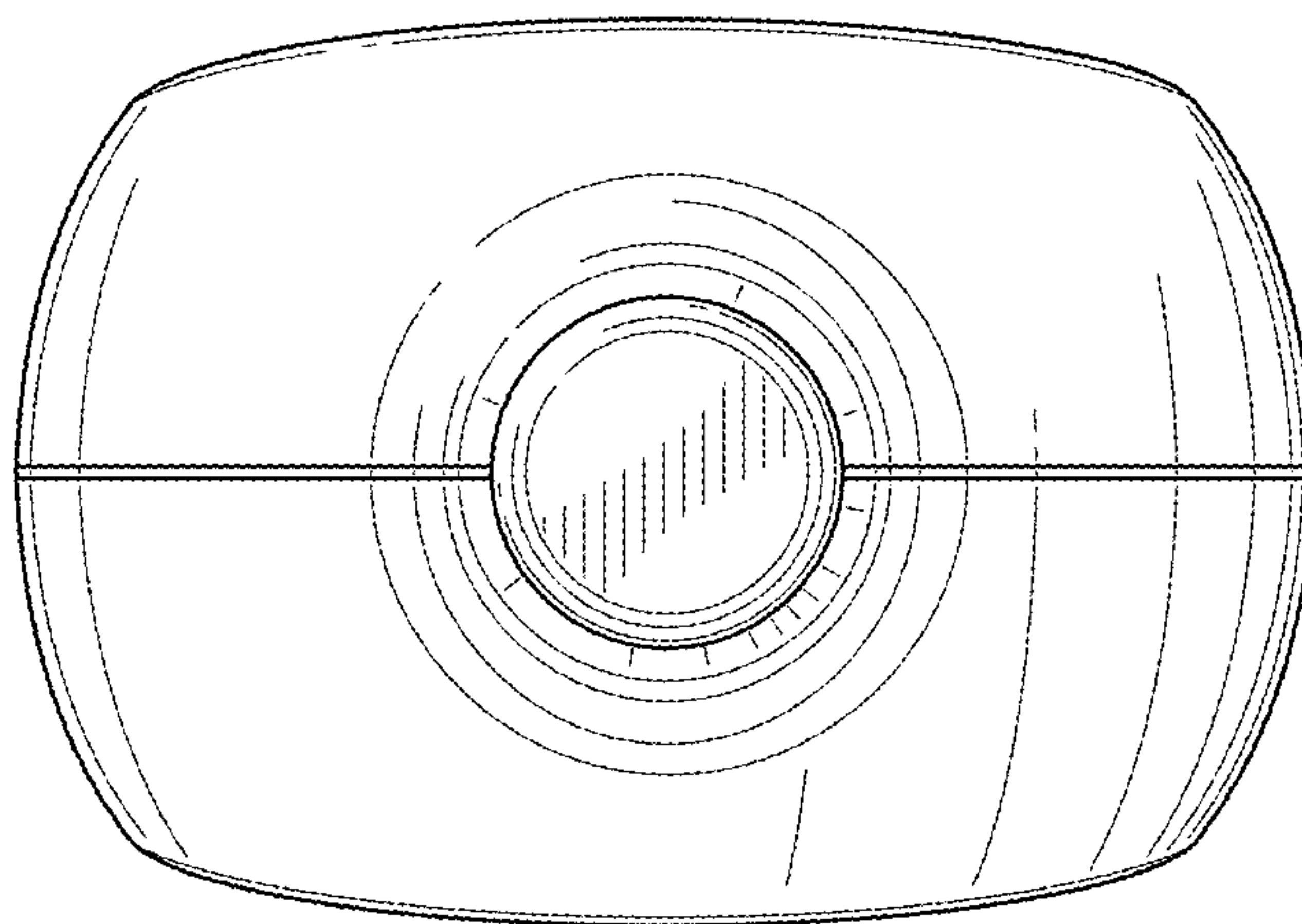


FIG. 7