

US00D860827S

(12) **United States Design Patent**  
**Kremer**

(10) **Patent No.:** **US D860,827 S**

(45) **Date of Patent:** **\*\* Sep. 24, 2019**

- (54) **IRRIGATION CONTROL BOX**
  - (71) Applicant: **Netafim, Ltd.**, Tel Aviv (IL)
  - (72) Inventor: **Eyal Kremer**, Netanya (IL)
  - (73) Assignee: **Netafim, Ltd.**, Tel Aviv (IL)
  - (\*\*) Term: **15 Years**
  - (21) Appl. No.: **29/660,856**
  - (22) Filed: **Aug. 23, 2018**
  - (51) **LOC (12) Cl.** ..... **10-04**
  - (52) **U.S. Cl.**  
USPC ..... **D10/49; D13/158; D23/200**
  - (58) **Field of Classification Search**  
USPC ..... **D10/49, 50; D13/158, 162, 184; D23/200**  
CPC ..... **H01H 2223/008; H01H 2223/01; H01H 2223/012; H01H 2223/014; H01H 2223/016; H01H 2223/018; H01H 2223/02; H01H 2223/022; H01H 2223/024; H01H 2223/026; H01H 2223/028; H01H 2223/00; H01H 2223/002; H01H 2223/003; H01H 2223/004; H01H 2223/006; H01H 2223/04**
- See application file for complete search history.

- 7,613,546 B2 \* 11/2009 Nelson ..... A01G 25/165 239/63
- 7,844,367 B2 \* 11/2010 Nickerson ..... A01G 25/16 700/284
- 10,069,284 B1 \* 9/2018 Paul ..... H02B 1/44

\* cited by examiner

*Primary Examiner* — Antoine Duval Davis

(74) *Attorney, Agent, or Firm* — Womble Bond Dickinson (US) LLP

(57) **CLAIM**

The ornamental design for an irrigation control box, as shown and described.

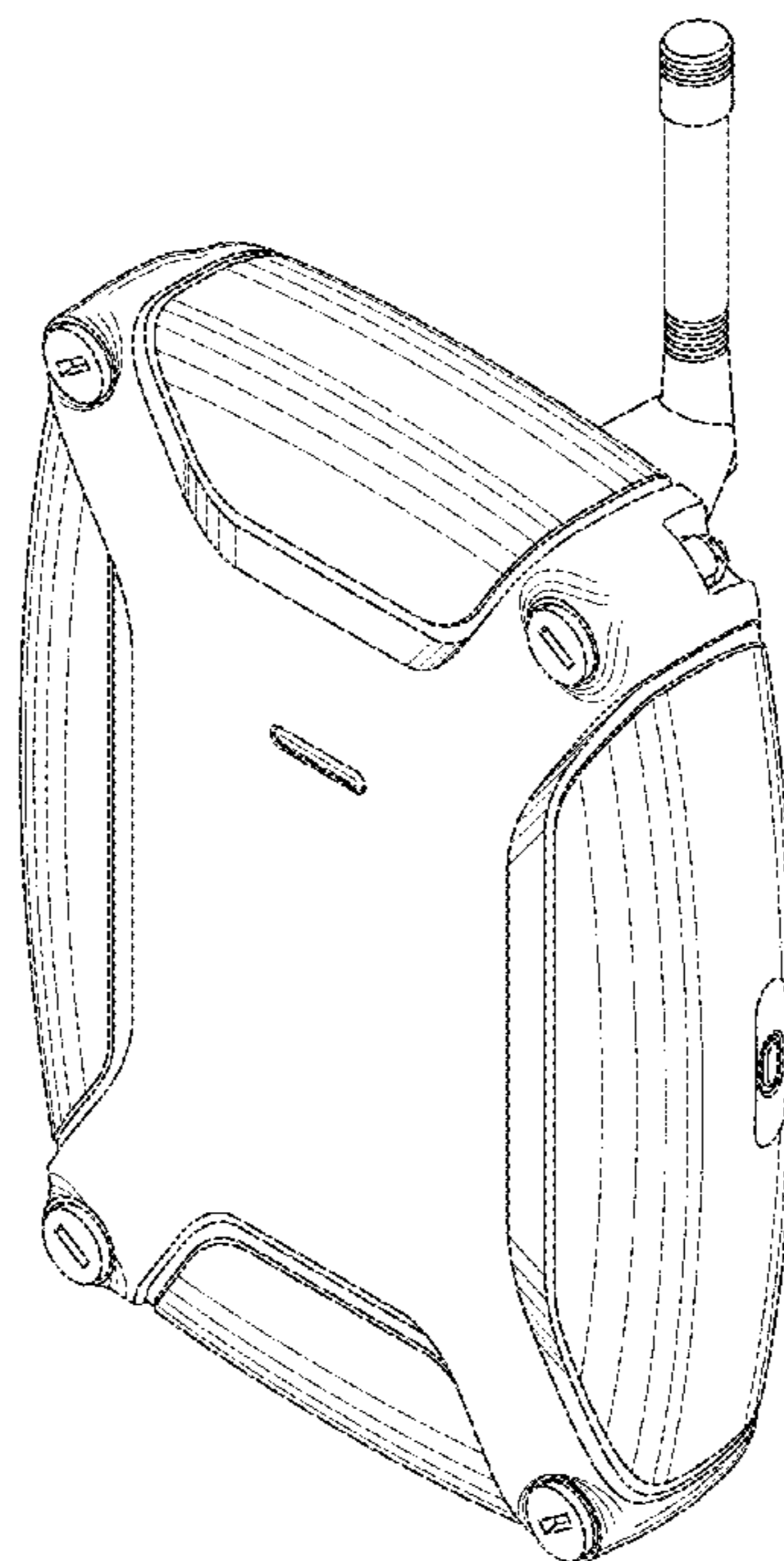
**DESCRIPTION**

- FIG. 1 is a front top right perspective view of my new design;
- FIG. 2 is a front view thereof;
- FIG. 3 is a rear view thereof;
- FIG. 4 is a left side view thereof;
- FIG. 5 is a right side view thereof;
- FIG. 6 is a top view thereof; and,
- FIG. 7 is a bottom view thereof.

(56) **References Cited**  
U.S. PATENT DOCUMENTS

- D371,422 S \* 7/1996 Pearson ..... D23/200
- 7,257,465 B2 \* 8/2007 Perez ..... A01G 25/16 239/69

**1 Claim, 4 Drawing Sheets**



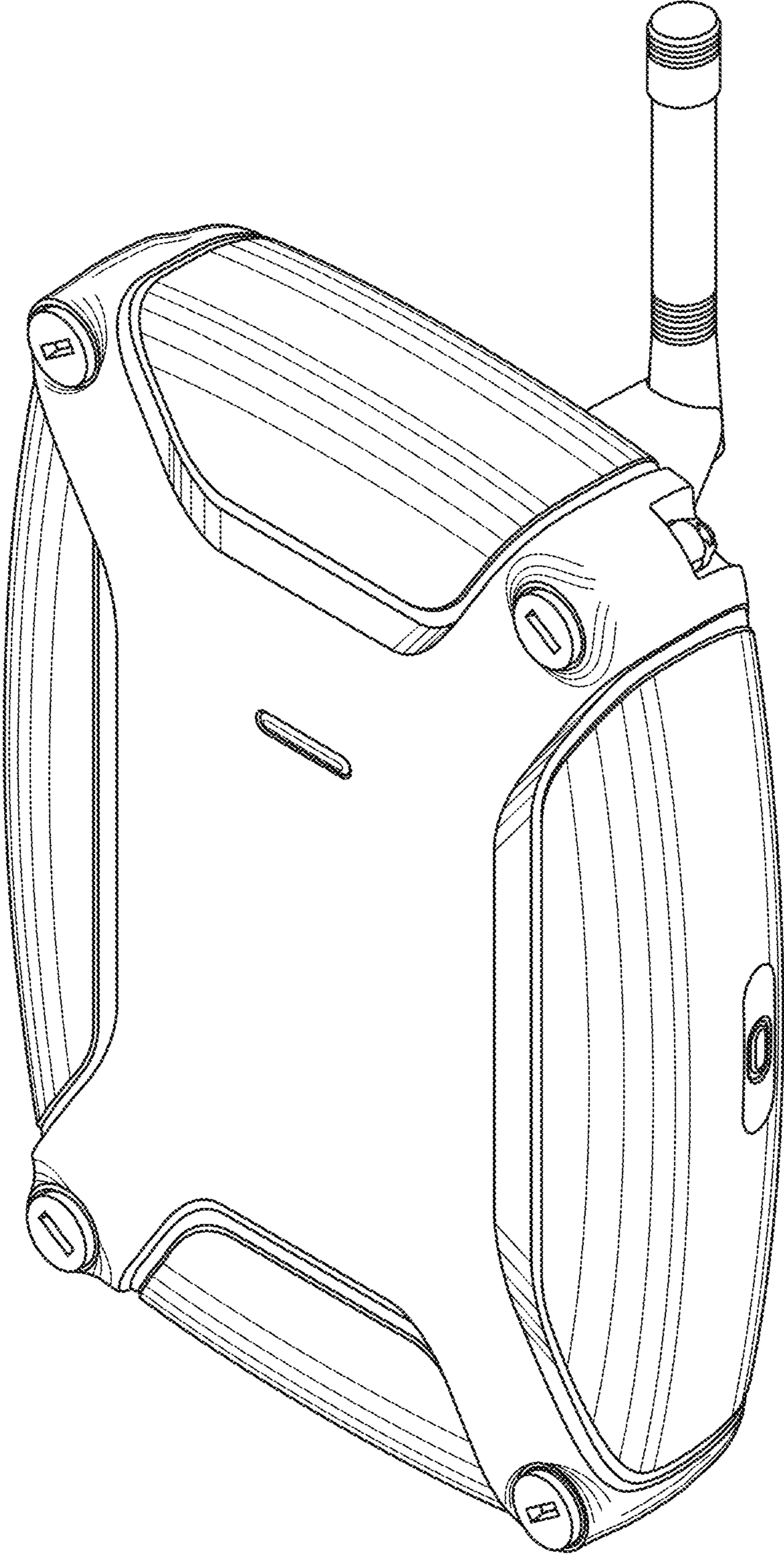


FIG. 1

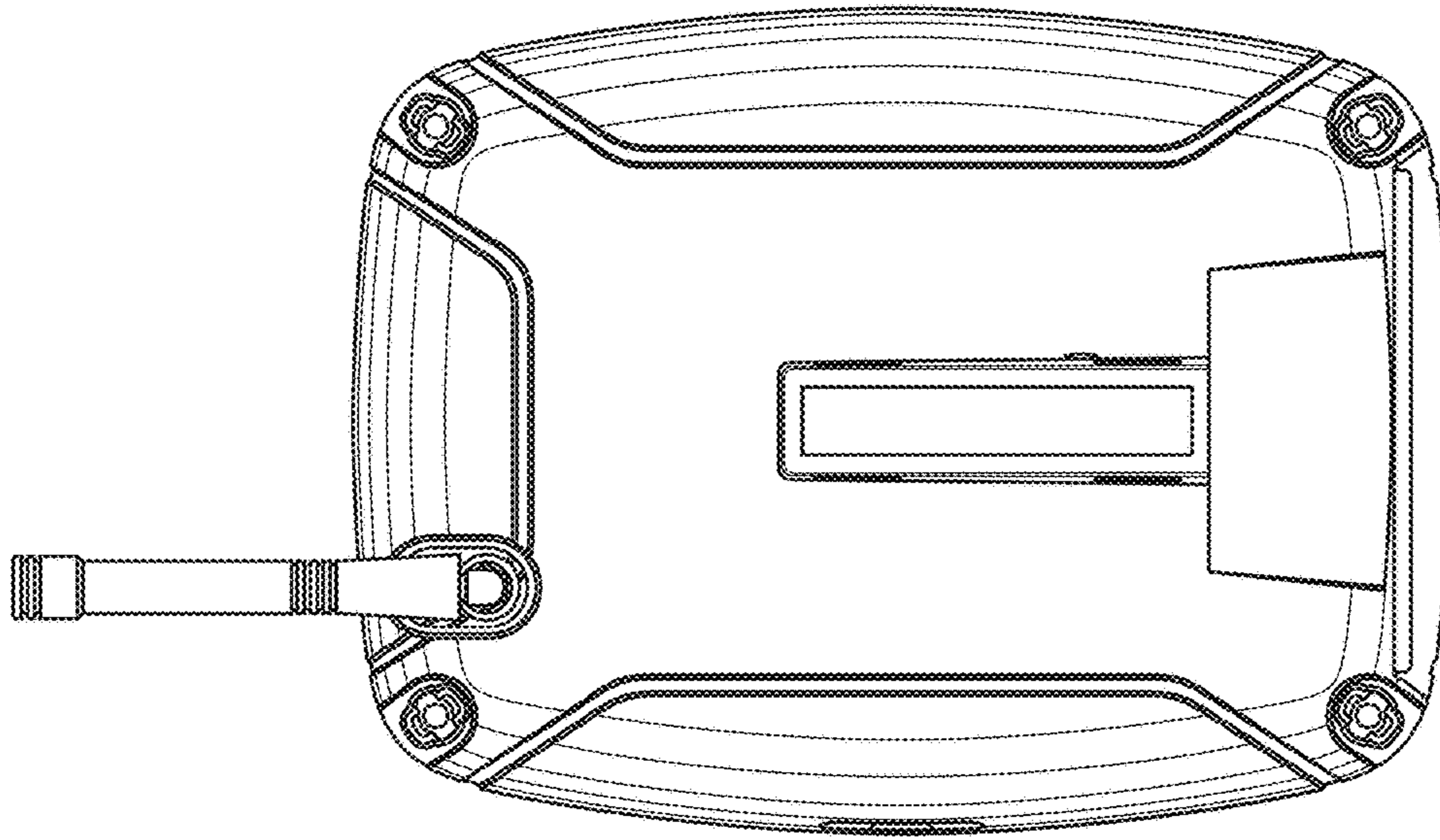


FIG. 3

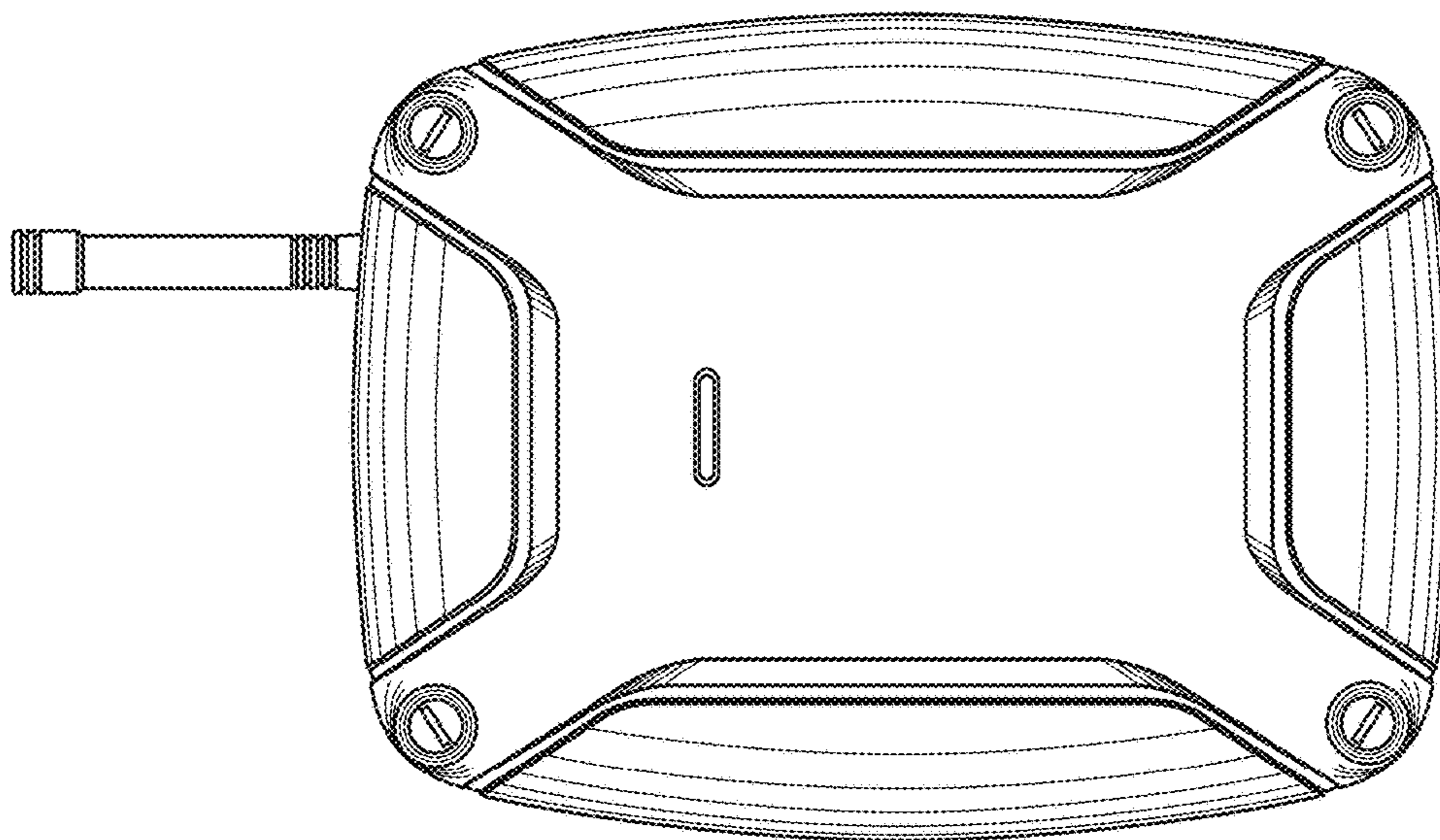


FIG. 2

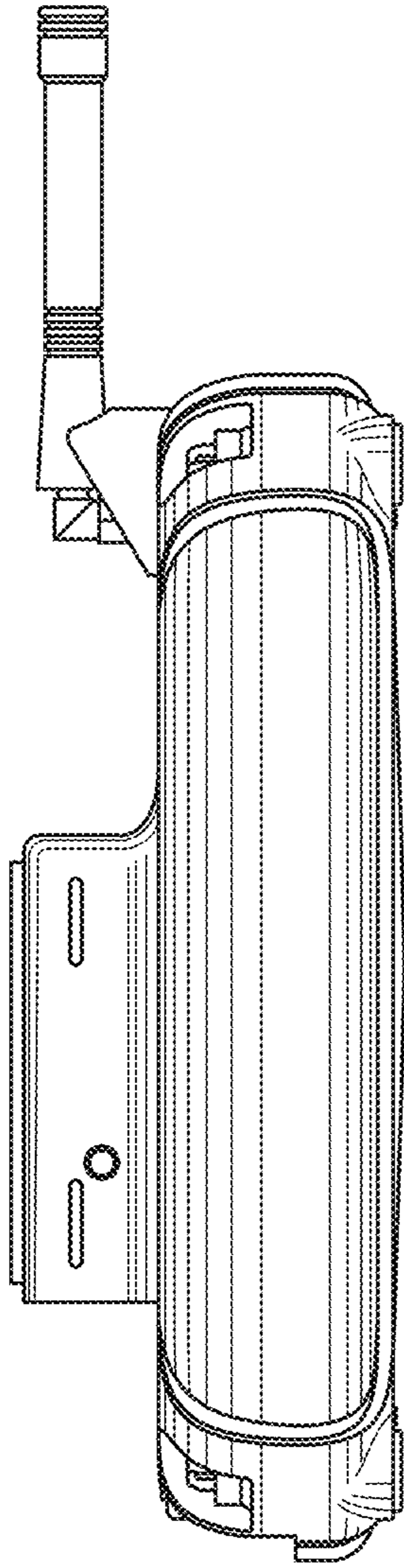


FIG. 4

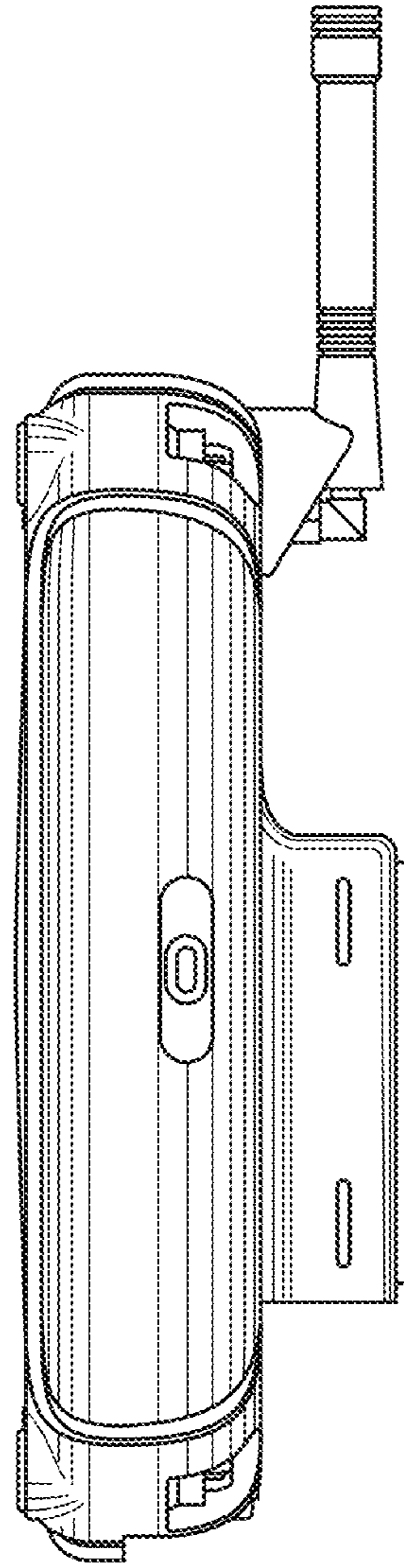


FIG. 5

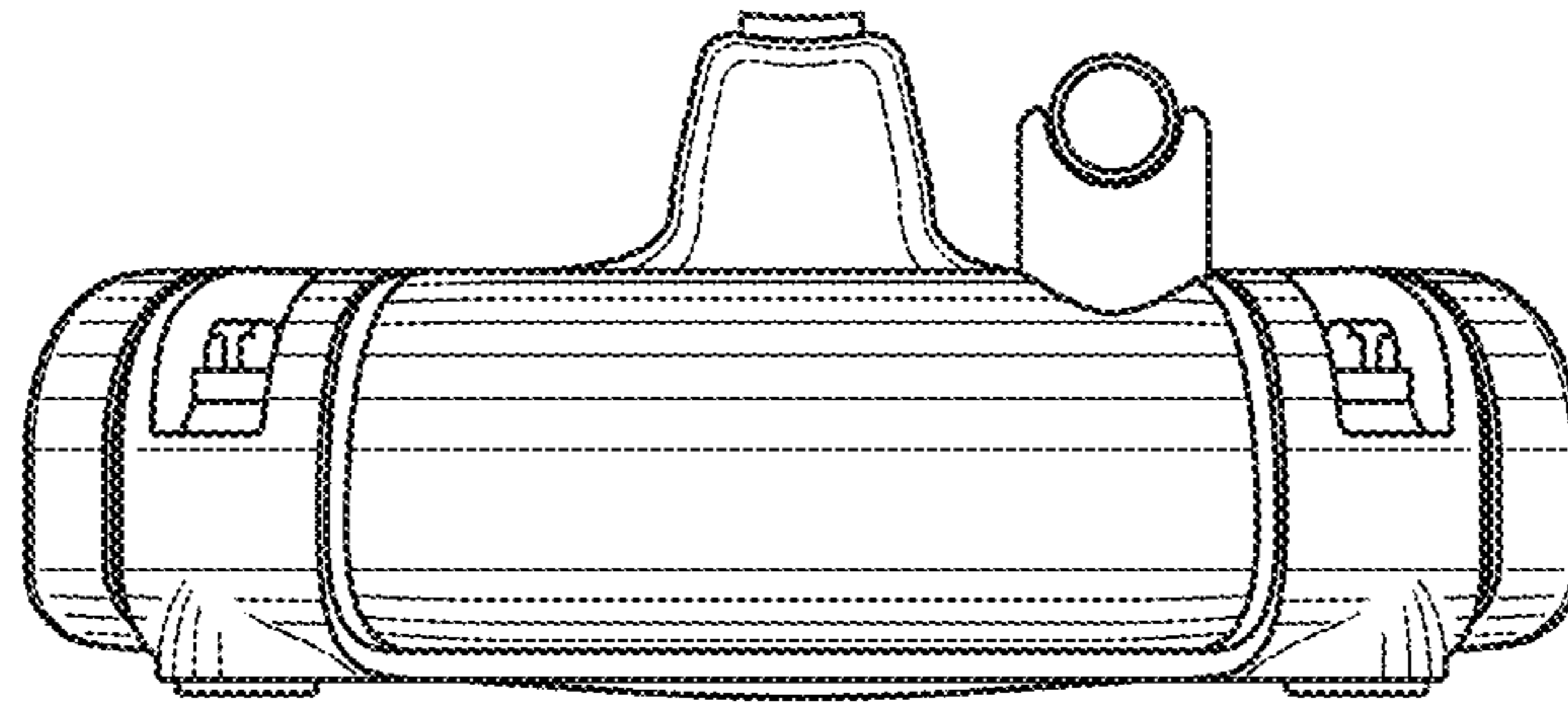


FIG. 6

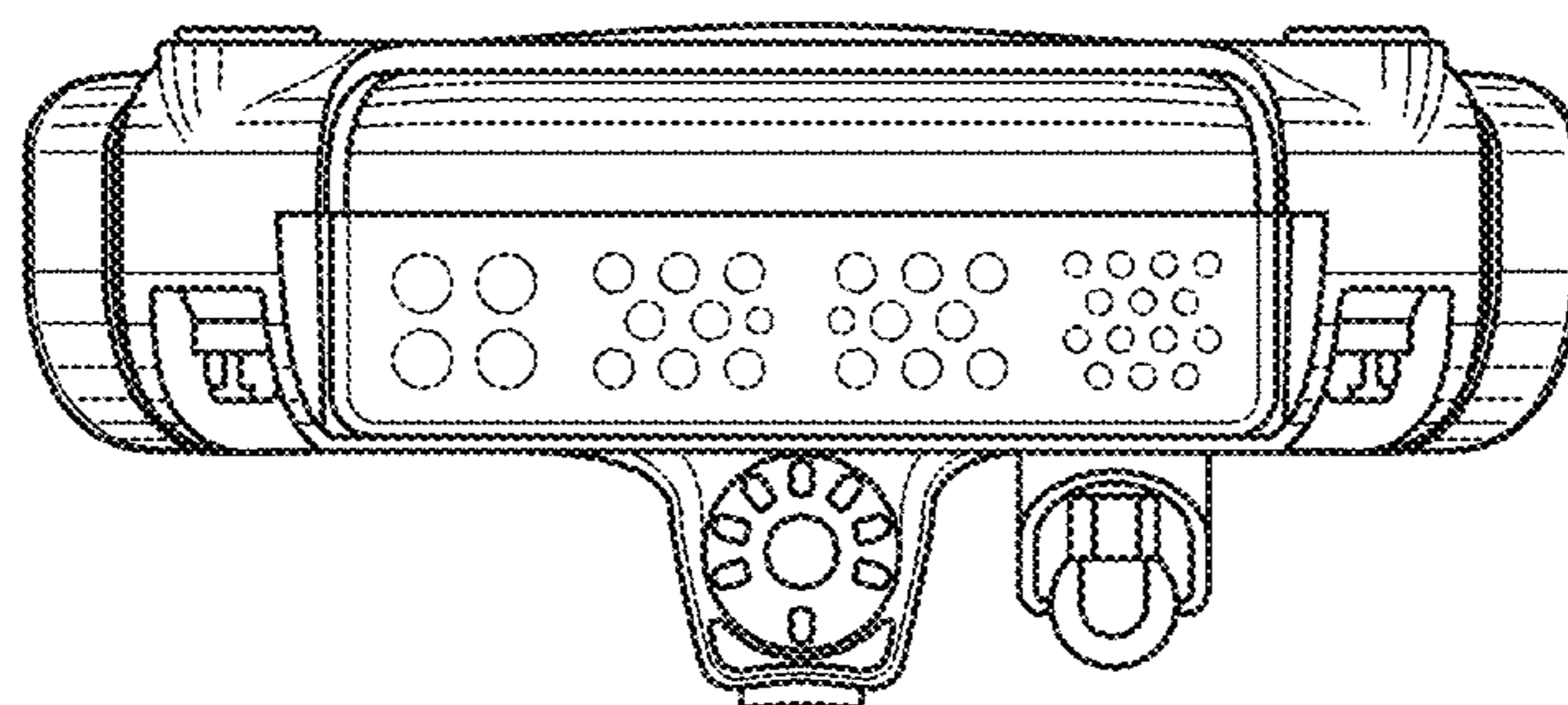


FIG. 7