



US00D860826S

(12) **United States Design Patent** (10) **Patent No.:** **US D860,826 S**
Uchida et al. (45) **Date of Patent:** **** Sep. 24, 2019**

(54) **SENSOR UNIT**

(71) Applicant: **Panasonic Intellectual Property Management Co., Ltd.**, Osaka-shi, Osaka (JP)

(72) Inventors: **Ryota Uchida**, Tokyo (JP); **Naoki Fudetani**, Kyoto (JP); **Shinichi Takiguchi**, Osaka (JP)

(73) Assignee: **Panasonic Intellectual Property Management Co., Ltd.**, Osaka (JP)

(**) Term: **15 Years**

(21) Appl. No.: **29/642,575**

(22) Filed: **Mar. 30, 2018**

(51) **LOC (12) Cl.** **10-04**

(52) **U.S. Cl.**
USPC **D10/49**

(58) **Field of Classification Search**
USPC D10/49, 75; D26/51
CPC A47F 3/0426; F25D 27/00; F25D 27/005;
F21V 33/0092; G01J 5/04; G01J 5/041;
G01J 5/042; G01J 2005/068

See application file for complete search history.

(56) **References Cited**

U.S. PATENT DOCUMENTS

10,245,337 B2 * 4/2019 Park F21V 23/003

* cited by examiner

Primary Examiner — Antoine Duval Davis

(74) *Attorney, Agent, or Firm* — Brinks Gilson & Lione

(57) **CLAIM**

We claim the ornamental design for a sensor unit, as shown and described.

DESCRIPTION

FIG. 1 is a perspective view of a sensor unit of the present invention;

FIG. 2 is a front view thereof;

FIG. 3 is a rear view thereof;

FIG. 4 is a left side view thereof;

FIG. 5 is a right side view thereof;

FIG. 6 is a top view thereof;

FIG. 7 is a bottom view thereof; and,

FIG. 8 is a cross-sectional view taken along line 8 in FIG. 6.

The broken lines show parts of the sensor unit that represent unclaimed subject matter and form no part of the claimed design.

1 Claim, 8 Drawing Sheets

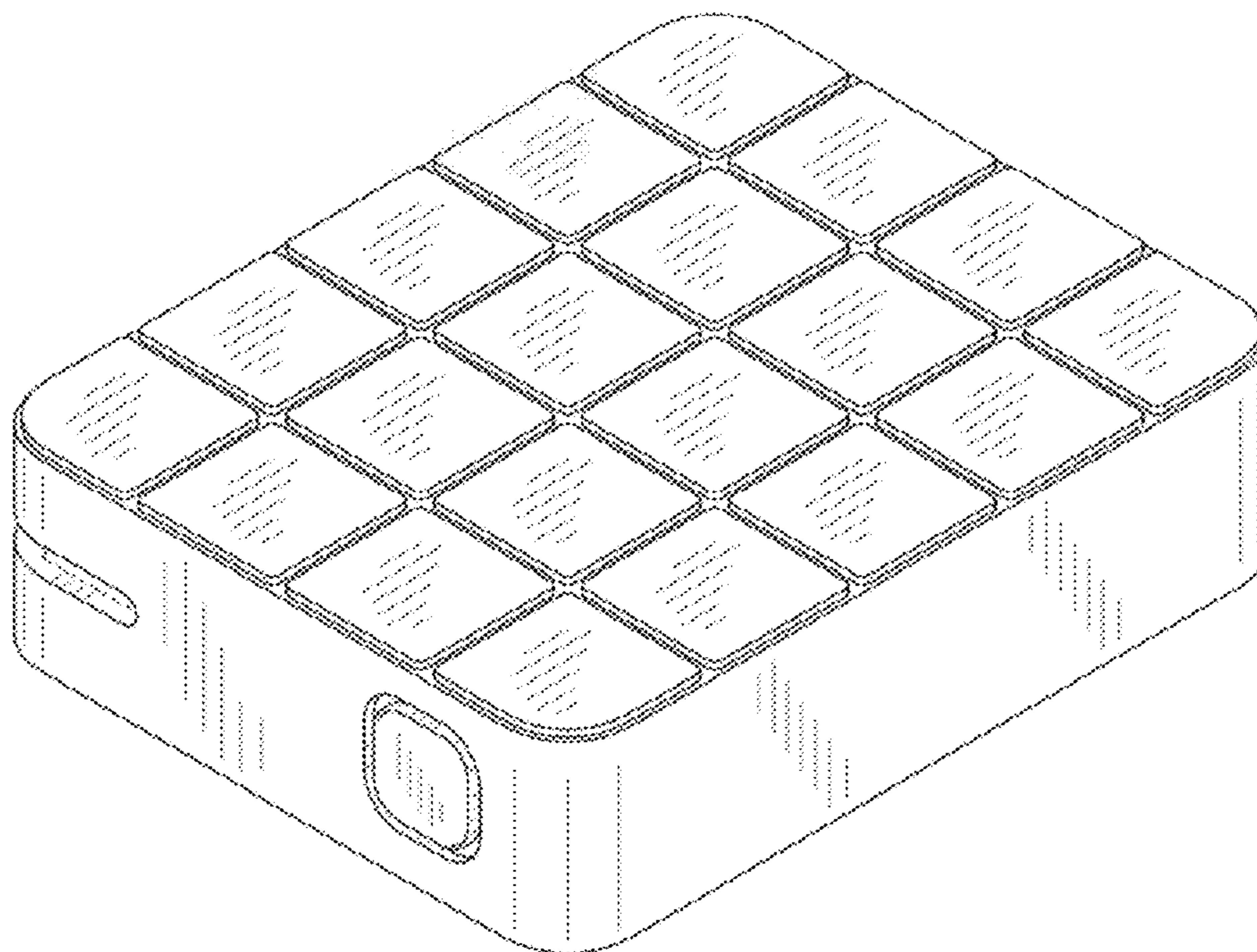


FIG. 1

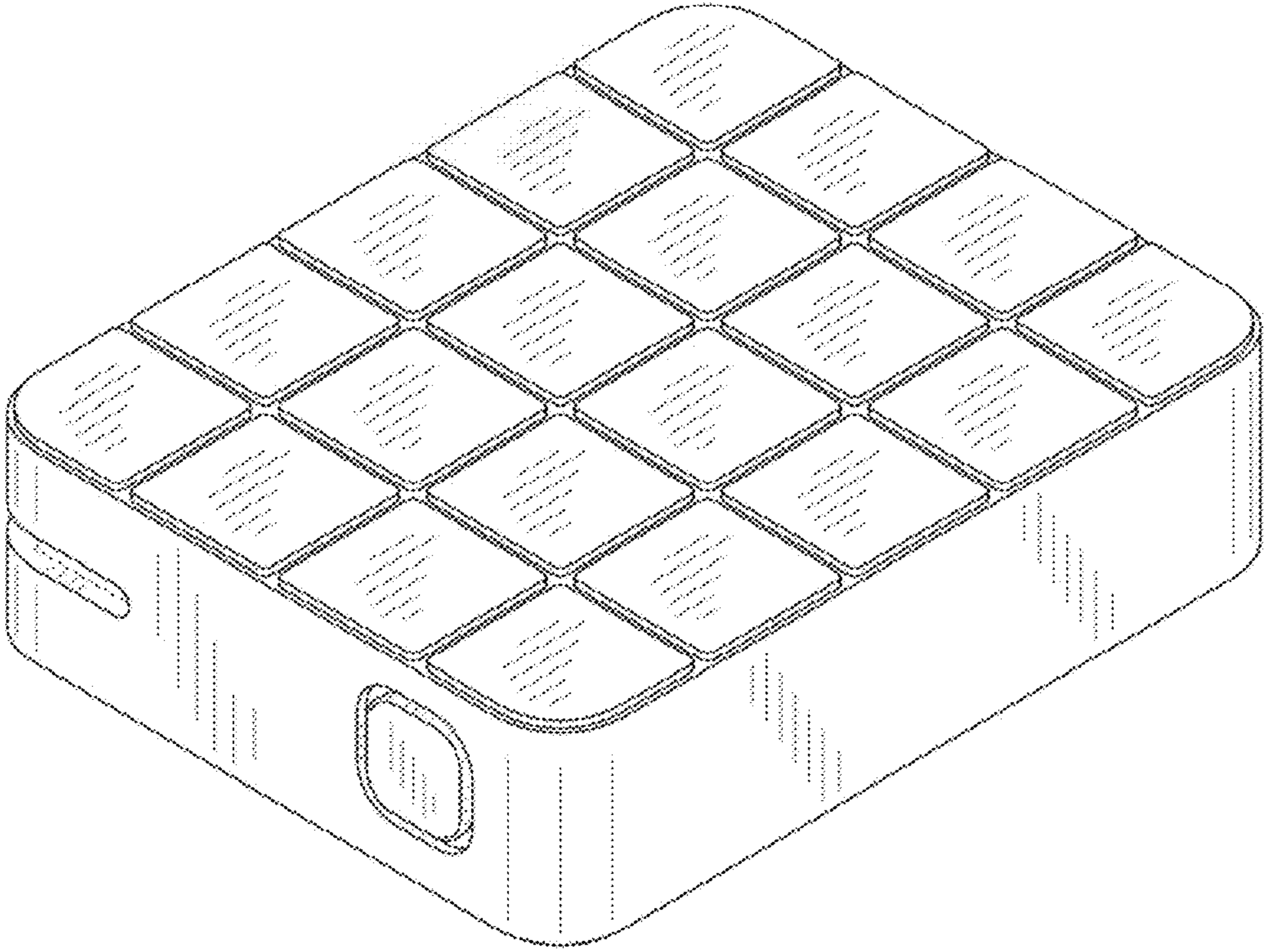


FIG. 2

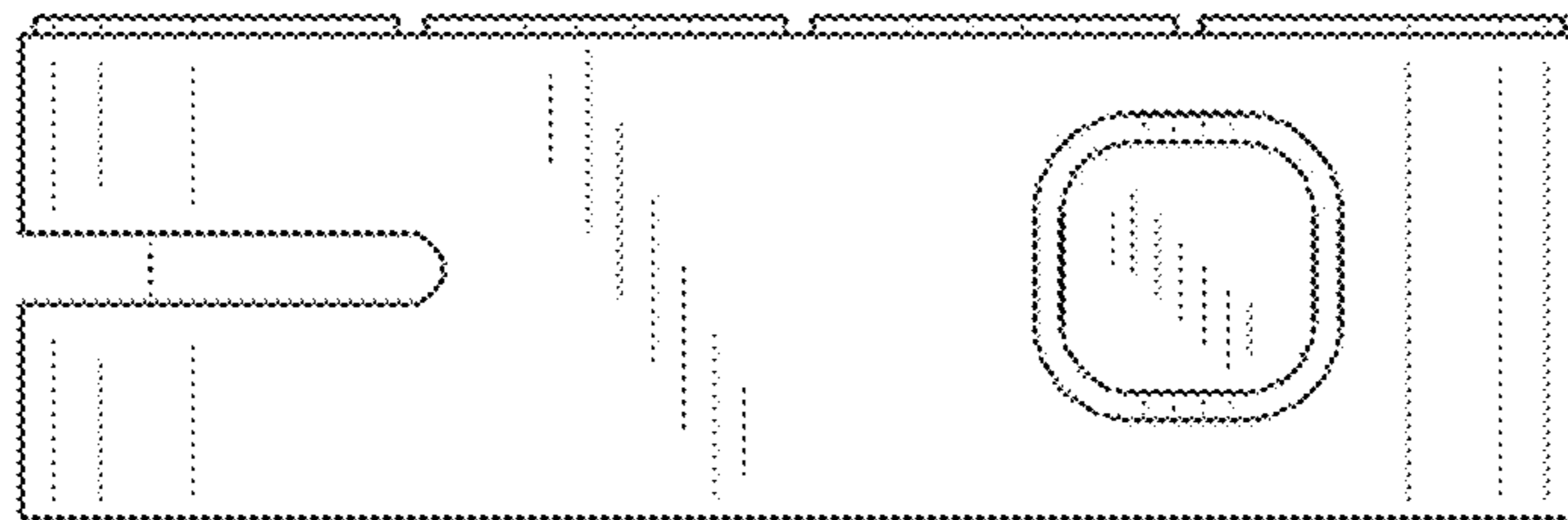


FIG. 3

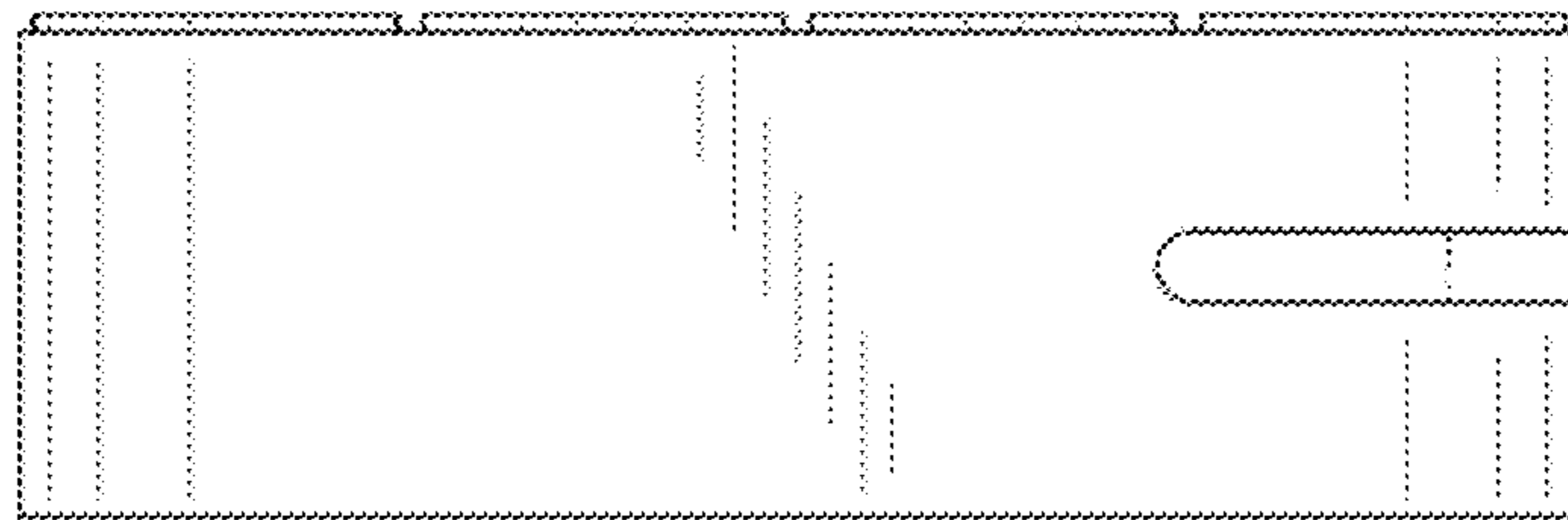


FIG. 4

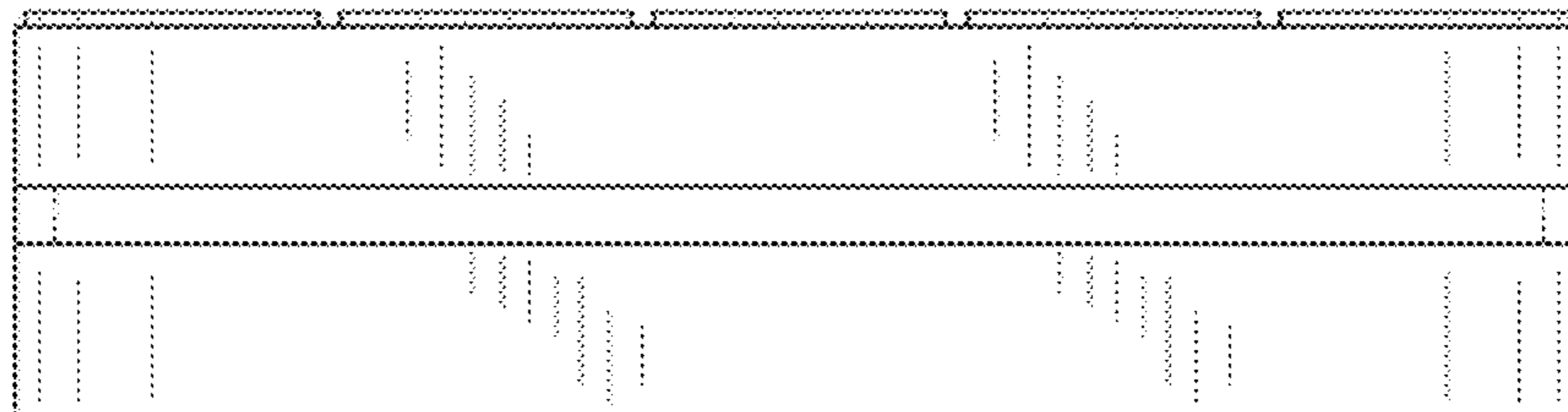


FIG. 5



FIG. 6

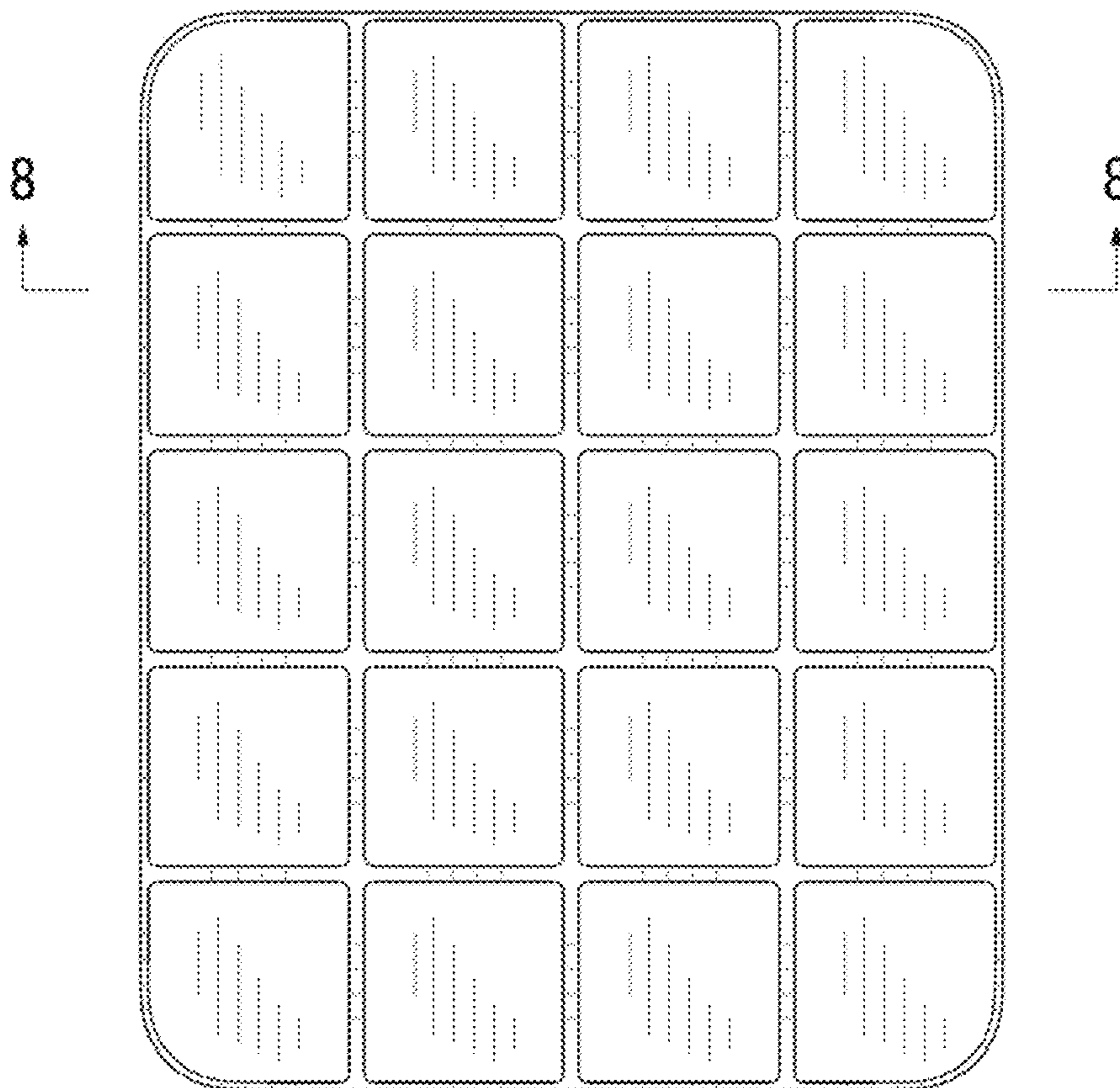


FIG. 7

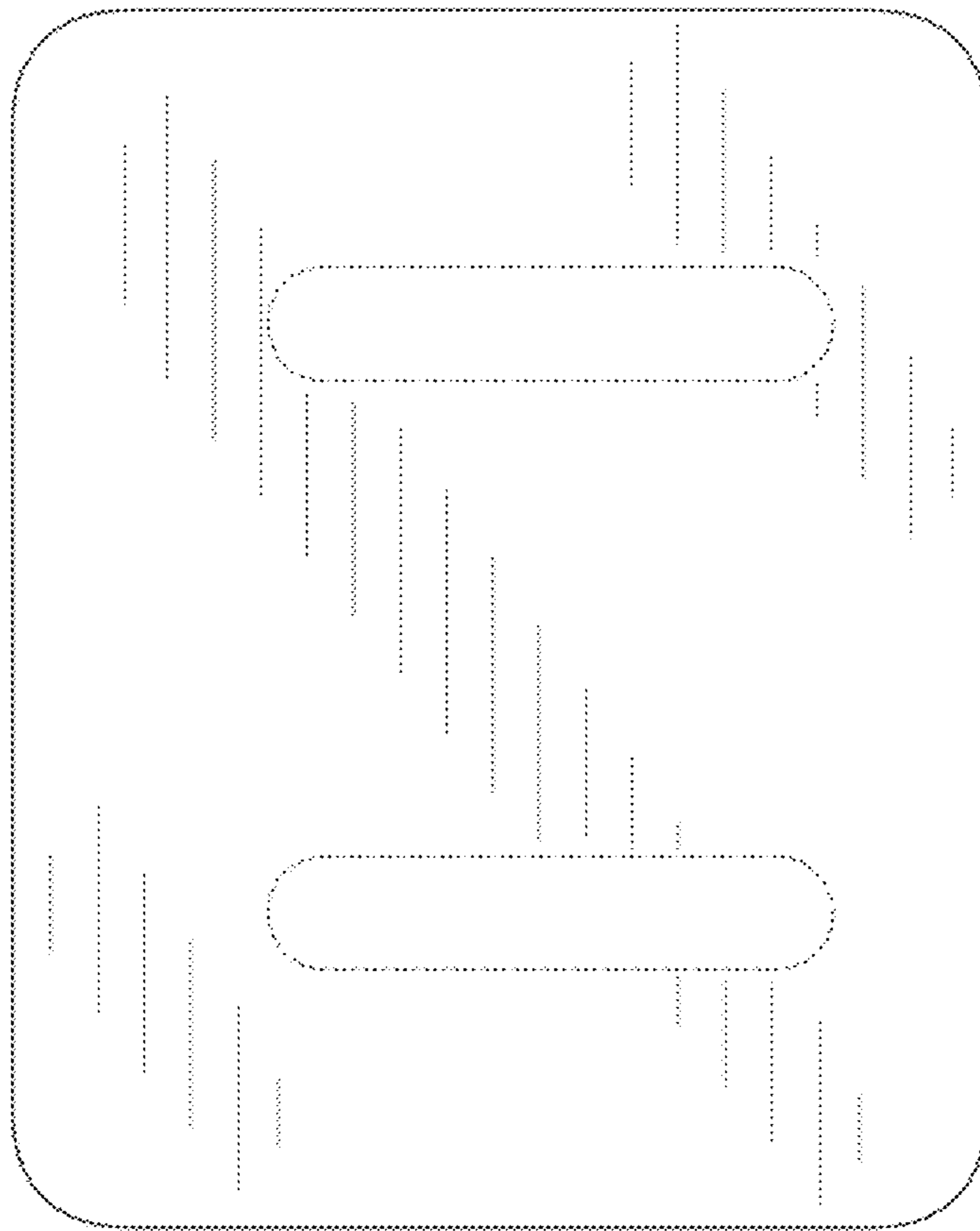


FIG. 8

