



US00D860825S

(12) **United States Design Patent**  
**Chen**

(10) **Patent No.:** **US D860,825 S**

(45) **Date of Patent:** **\*\* Sep. 24, 2019**

(54) **INTEGRATING SPHERE**

7,663,744 B2 \* 2/2010 Ohkubo ..... G01J 1/04  
250/228

(71) Applicant: **Li-Chuan Chen**, Taipei (TW)

\* cited by examiner

(72) Inventor: **Li-Chuan Chen**, Taipei (TW)

*Primary Examiner* — Antoine Duval Davis

(\*\*) Term: **15 Years**

(74) *Attorney, Agent, or Firm* — Browdy and Neimark,  
PLLC

(21) Appl. No.: **29/659,061**

(22) Filed: **Aug. 6, 2018**

(51) **LOC (12) Cl.** ..... **10-04**

(52) **U.S. Cl.**

USPC ..... **D10/46; D10/102**

(58) **Field of Classification Search**

USPC ..... D10/46, 102

CPC ..... G01J 1/02; G01J 1/08; G01J 1/04; G01J  
1/0474; G01J 1/0204; G01J 1/501; G01J  
2001/0481; G01J 2001/4247; G01N  
21/255; G01N 2201/065; G01N  
2201/0655

See application file for complete search history.

(56) **References Cited**

**U.S. PATENT DOCUMENTS**

D279,656 S \* 7/1985 Wurm ..... D10/47  
6,424,413 B1 \* 7/2002 Weber ..... G01J 3/0251  
250/228

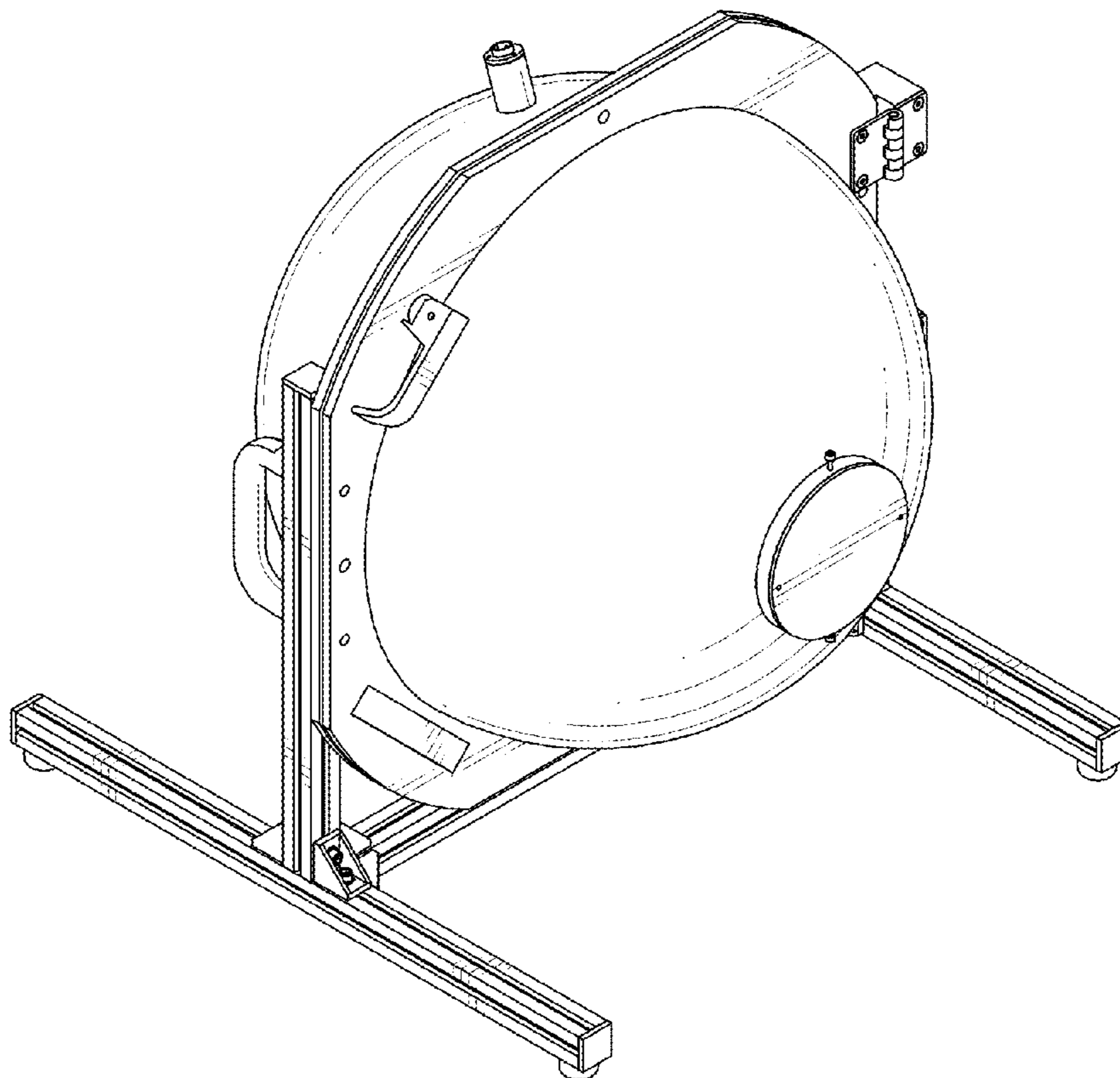
(57) **CLAIM**

The ornamental design for an integrating sphere, as shown.

**DESCRIPTION**

FIG. 1 is a perspective view of an integrating sphere showing my new design;  
FIG. 2 is a front view thereof;  
FIG. 3 is a rear view thereof;  
FIG. 4 is a left side view thereof;  
FIG. 5 is a right side view thereof;  
FIG. 6 is a top view thereof;  
FIG. 7 is a bottom view thereof; and,  
FIG. 8 is a perspective view thereof showing that the integrating sphere is opened.

**1 Claim, 8 Drawing Sheets**



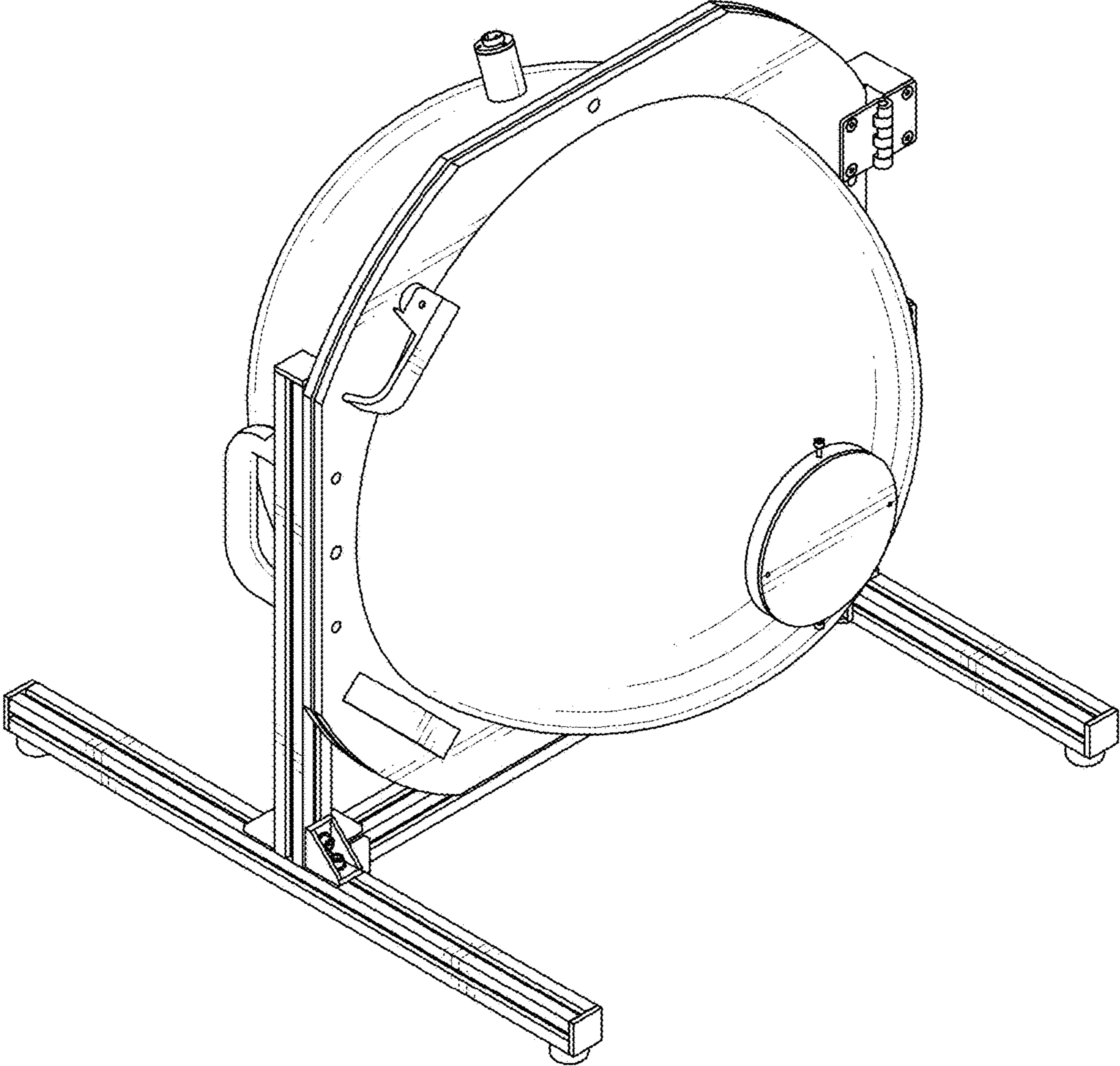


FIG.1

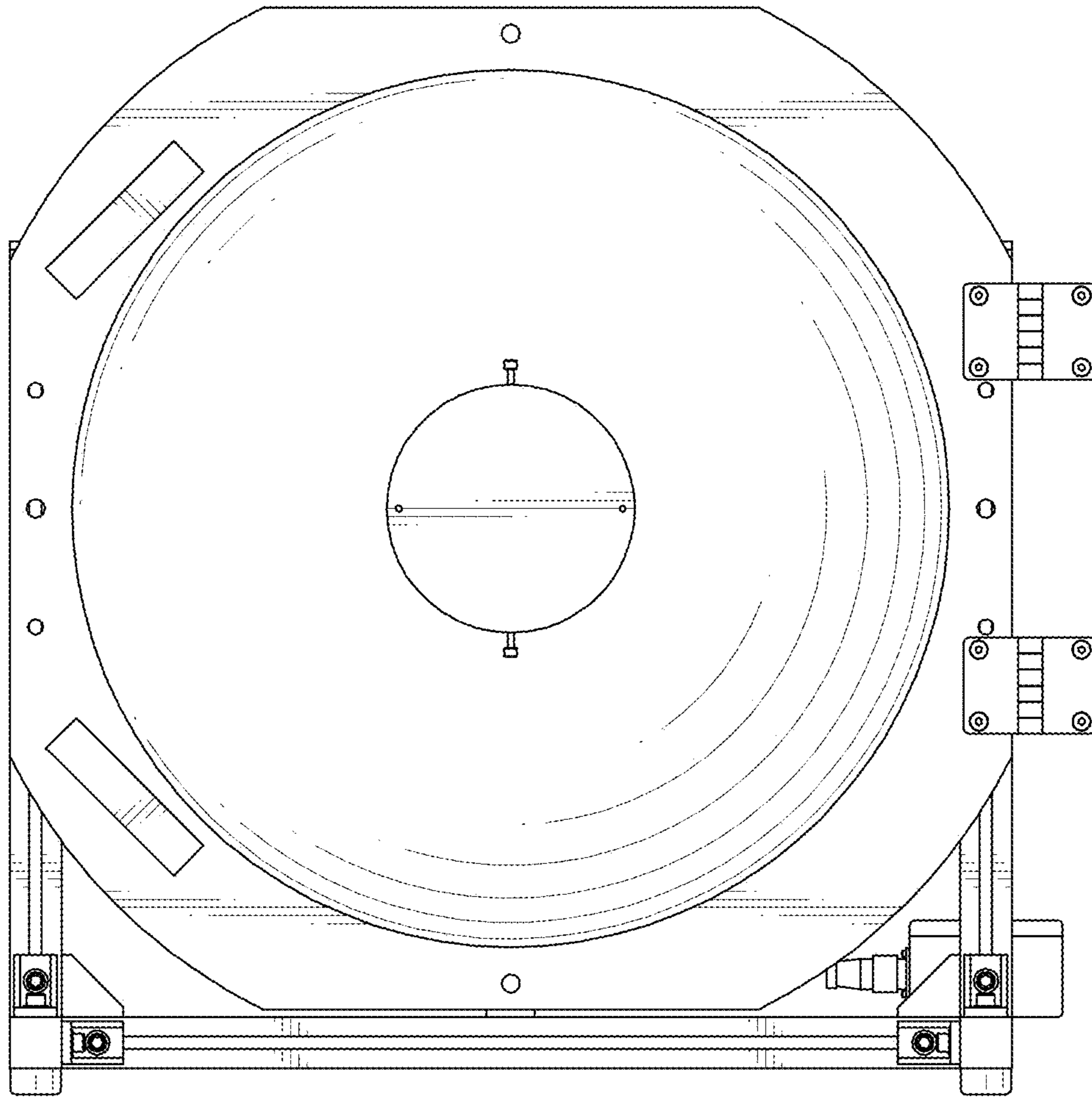


FIG.2

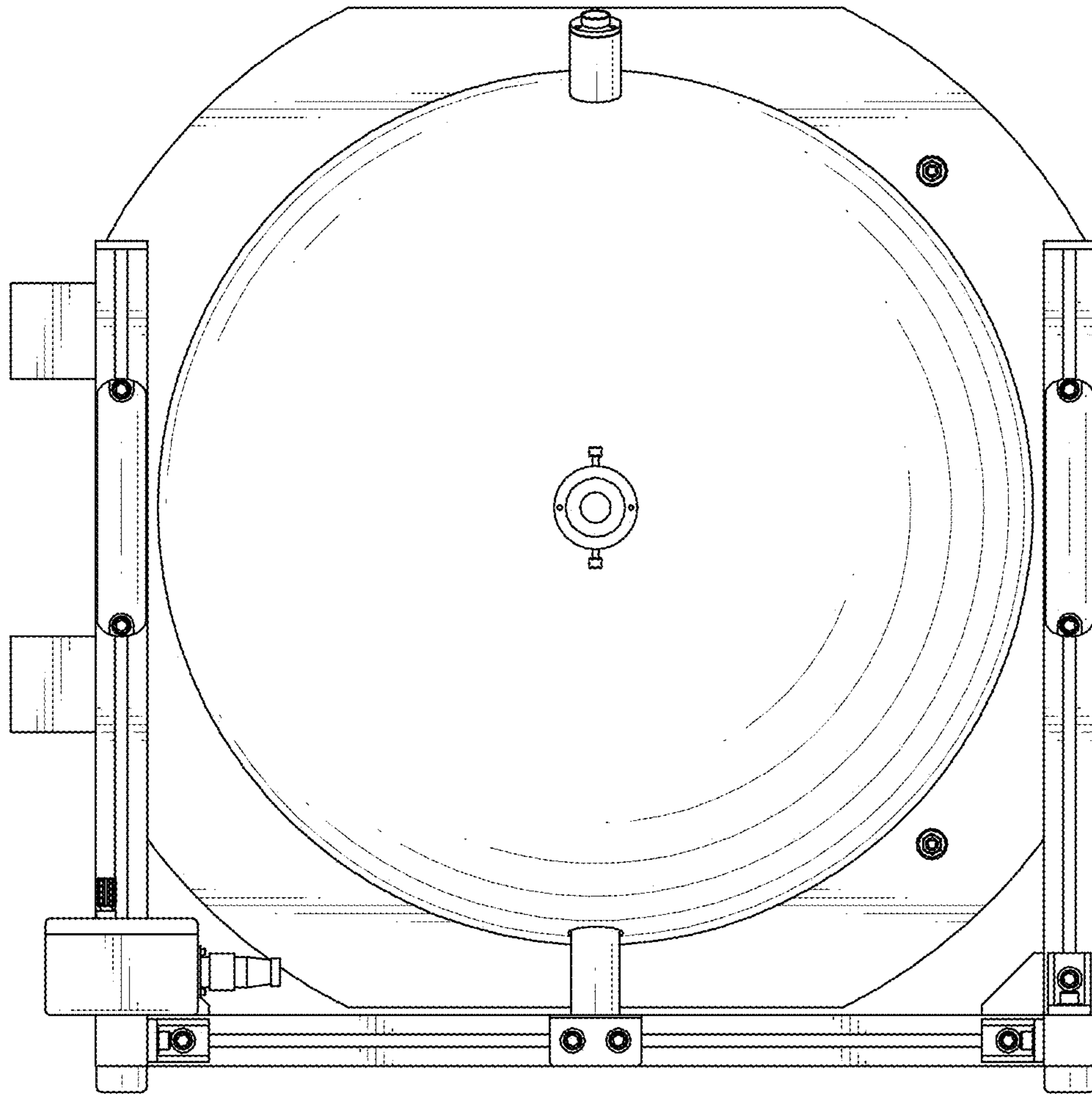


FIG.3



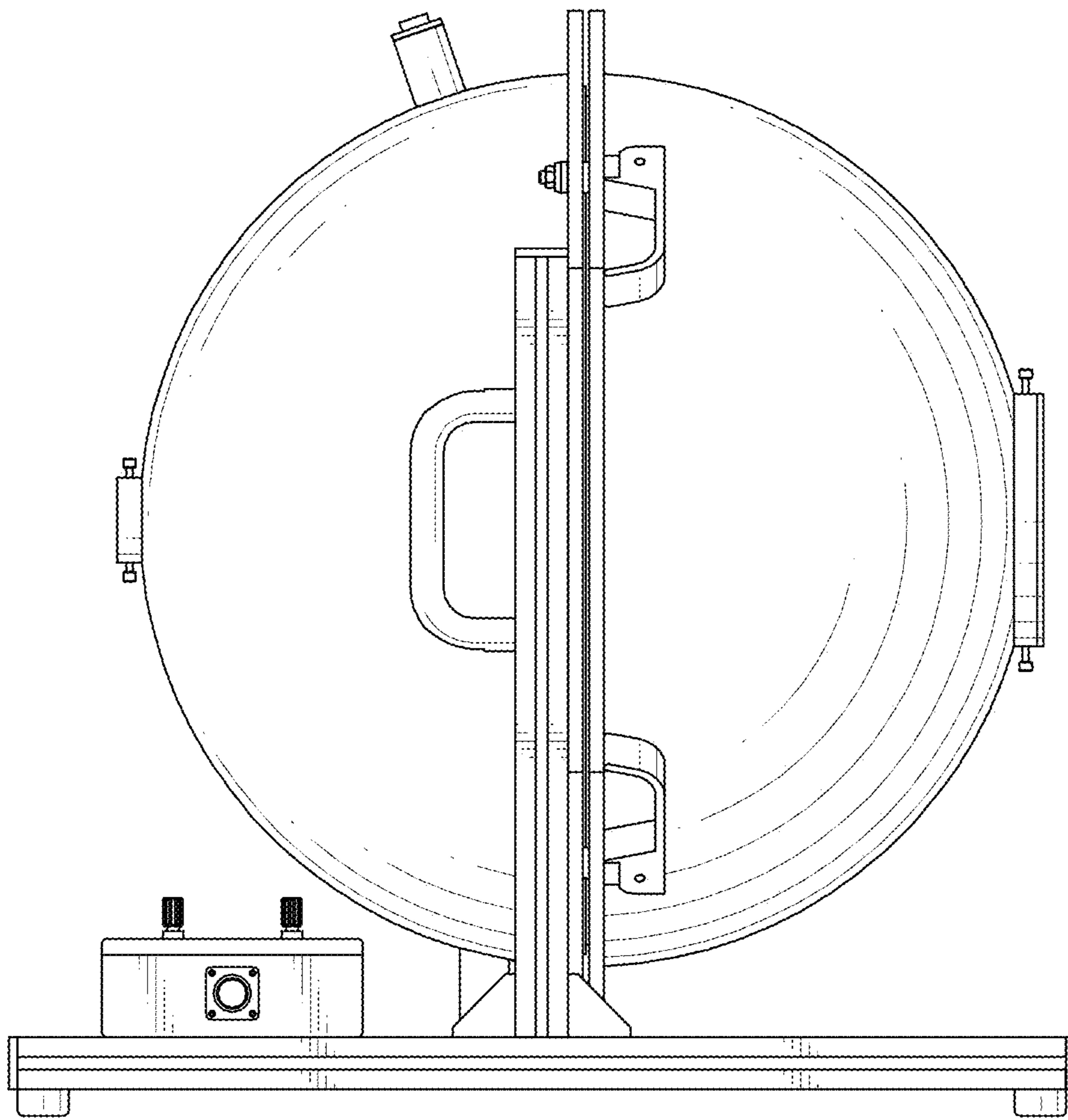


FIG.4

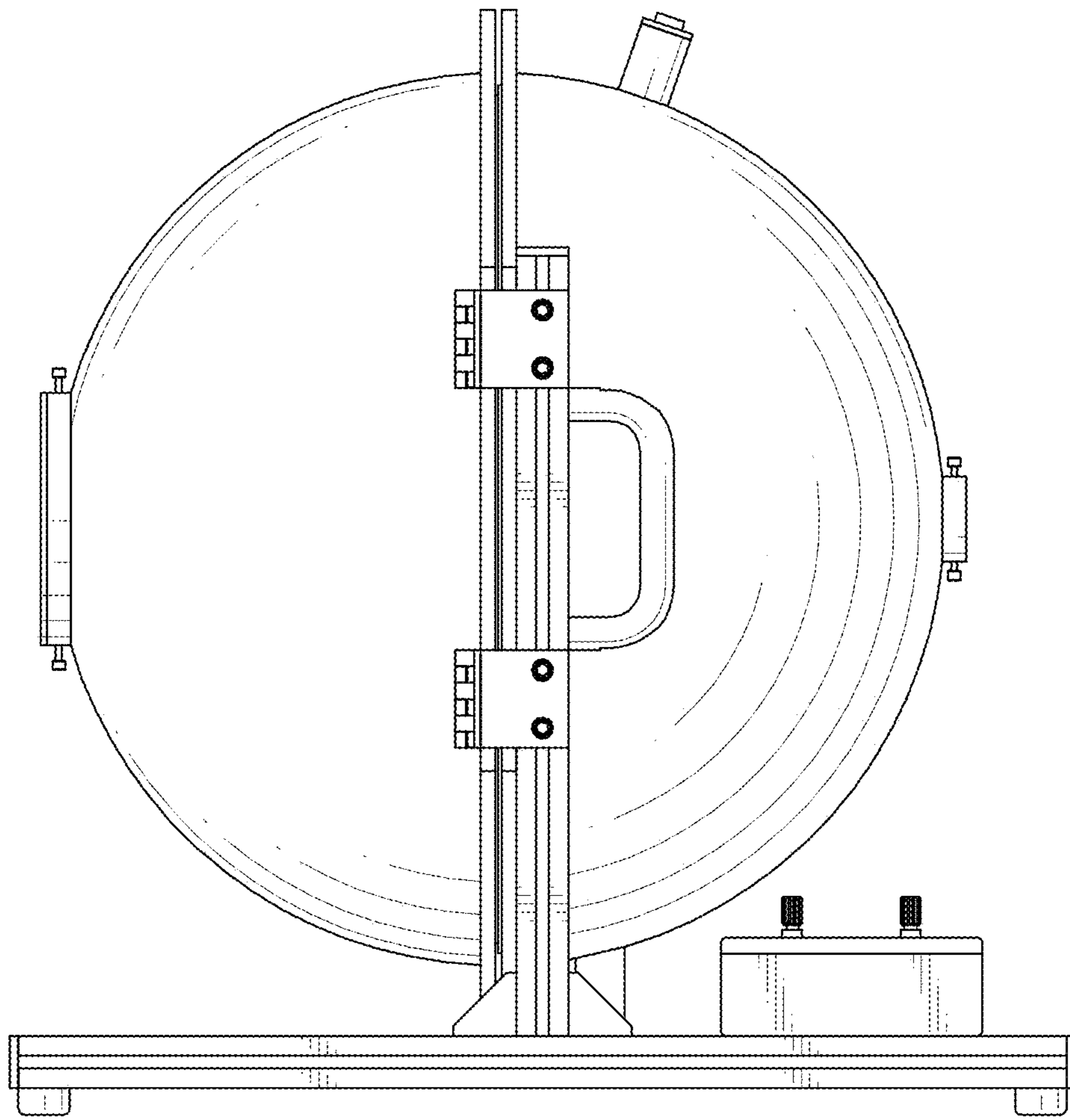


FIG.5

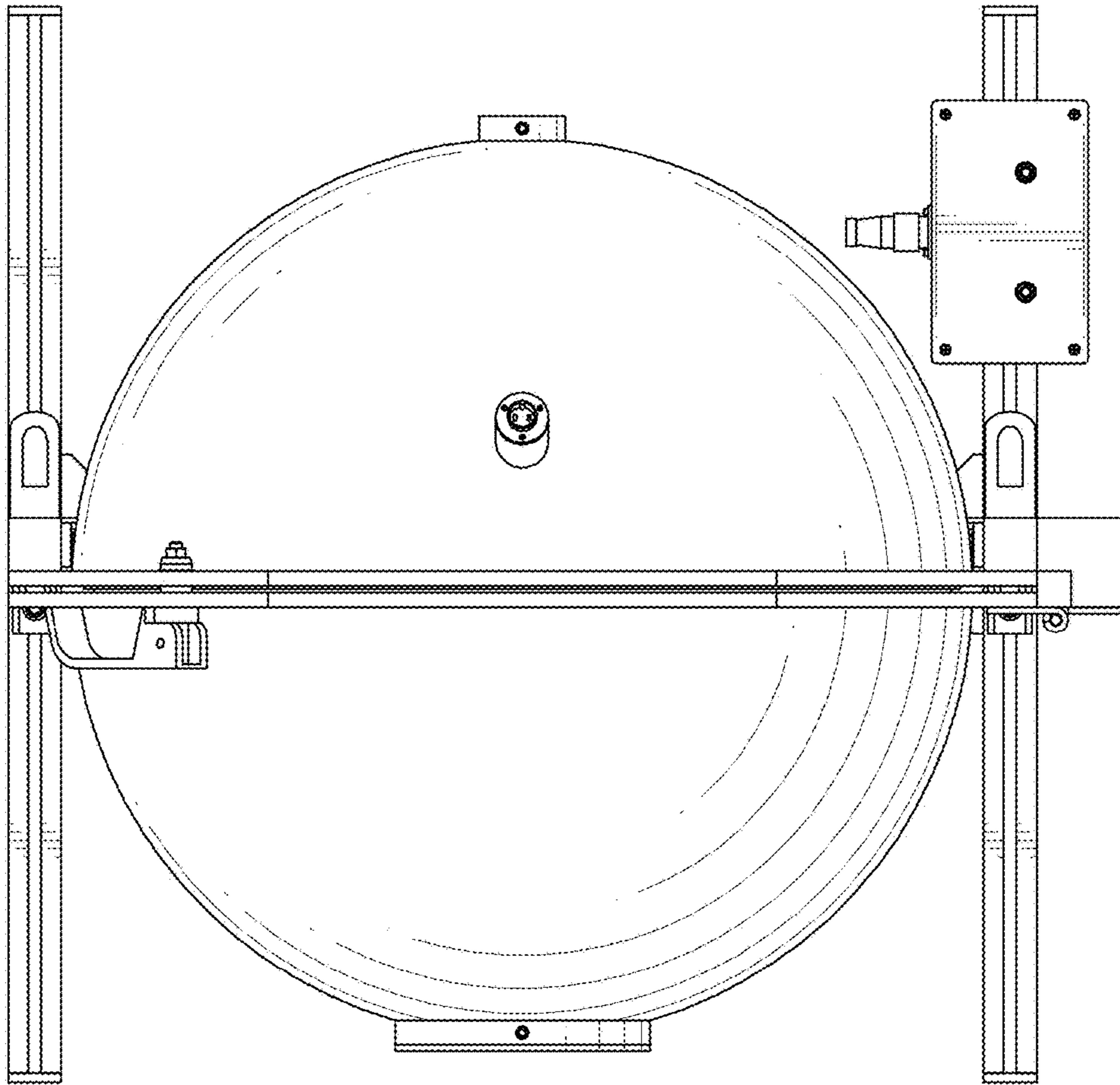


FIG.6

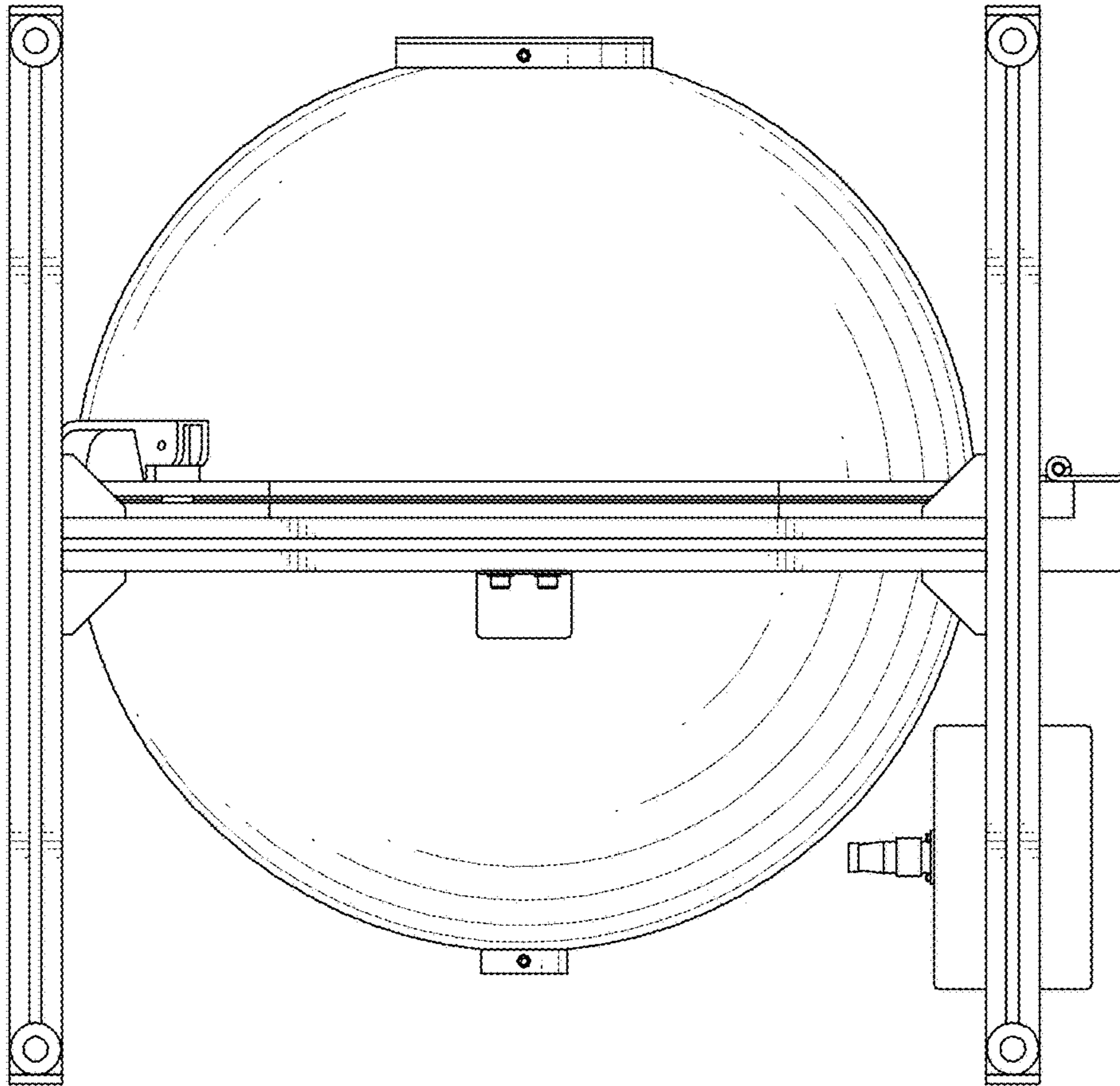


FIG.7



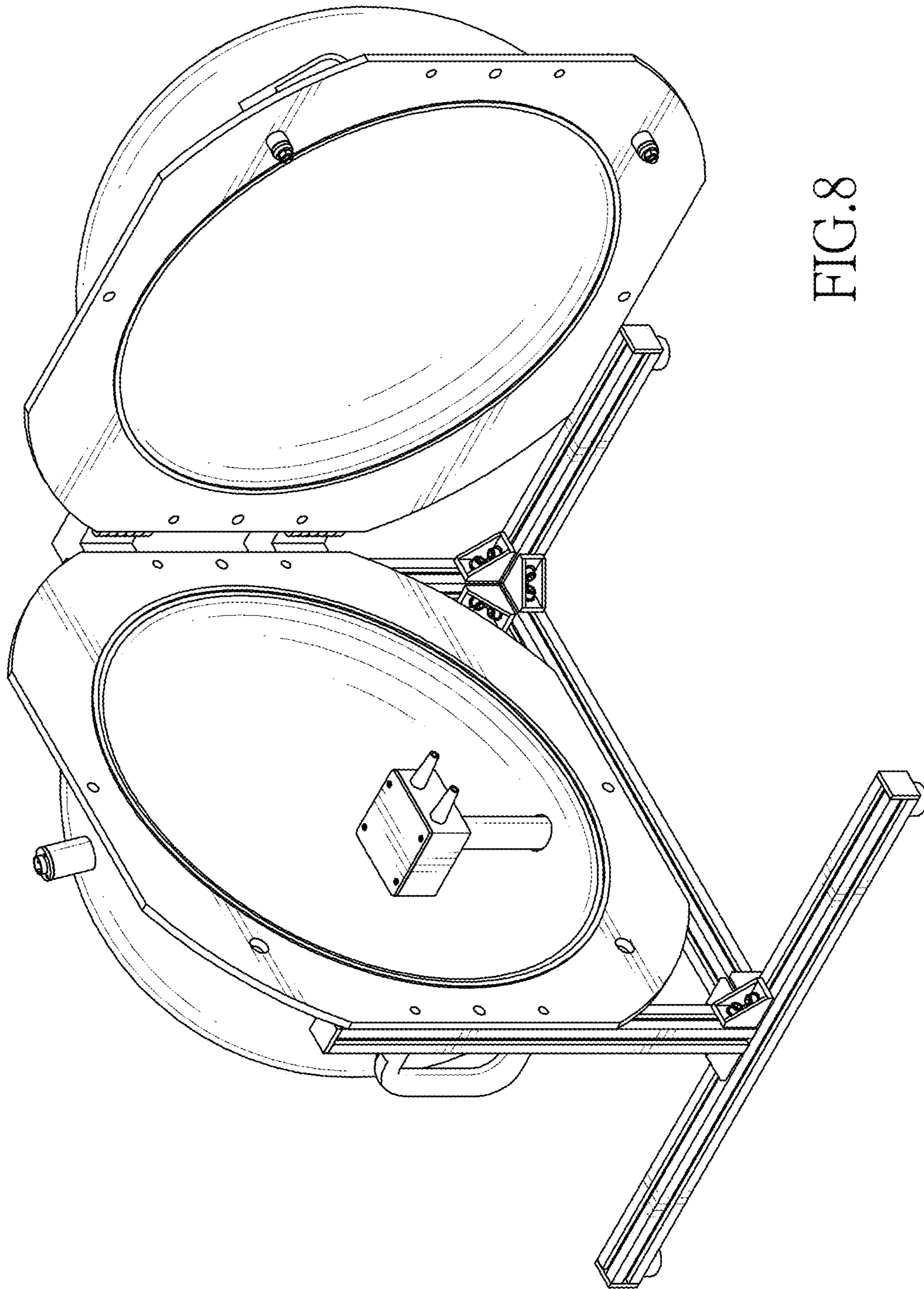


FIG. 8