

US00D860818S

(12) **United States Design Patent** (10) **Patent No.:** **US D860,818 S**
Viry (45) **Date of Patent:** **** Sep. 24, 2019**

(54) **WATCH**
(71) Applicant: **DECATHLON**, Villeneuve d'Ascq (FR)
(72) Inventor: **Baptiste Viry**, Villeneuve d'Ascq (FR)
(73) Assignee: **DECATHLON**, Villeneuve d'Ascq (FR)

(**) Term: **15 Years**
(21) Appl. No.: **29/626,365**
(22) Filed: **Nov. 16, 2017**

(30) **Foreign Application Priority Data**
May 19, 2017 (EM) 004010031-0002
(51) **LOC (12) Cl.** **10-02**
(52) **U.S. Cl.**
USPC **D10/32**
(58) **Field of Classification Search**
USPC D10/1-2, 10, 30-33, 36-39, 98-99,
D10/122-124, 126-128, 132; D11/3;
D14/344; D24/167, 186
CPC G04C 19/00; G04C 19/02; G04B 19/00;
G04B 19/025; G04B 19/08; G04B
19/048; G04B 19/04; G04B 19/046;
G04B 19/06; G04B 19/065; G04B
19/082; G04B 19/085; G04B 19/087;
G04B 19/10; G04B 19/103; G04B
19/106; G04B 47/042; G04B 19/12;
G04B 19/18; G04B 19/223; G04B 19/23;
G04B 19/24; G04B 19/241; G04B
19/243; G04D 3/04
See application file for complete search history.

(56) **References Cited**
U.S. PATENT DOCUMENTS
D365,285 S * 12/1995 Nanayakkara D10/30
D545,220 S * 6/2007 Leung D10/31
D720,248 S * 12/2014 Law D11/3

D724,453 S * 3/2015 Ogihara D10/70
D727,194 S * 4/2015 Wilson D11/3
D727,196 S * 4/2015 Tanner D11/3
D730,526 S * 5/2015 Shin D24/165
D757,583 S * 5/2016 Roush D10/70
D765,656 S * 9/2016 Forakis D10/38
D770,321 S * 11/2016 Murphy D11/3
(Continued)

OTHER PUBLICATIONS

Bracelet ONCOACH 500 HR | posted at decathlon-rdc.com n.d. [online][site visited Sep. 6, 2018]. Available from internet: <http://www.decathlon-rdc.com/p/8485274_bracelet-connecte-jogging-oncoach-500-hr-cardio-au-poignet-taille-m-noir.html#/6-200-s> (Year: 2018).*

Primary Examiner — Karen E Kearney
Assistant Examiner — Katherine Glennon
(74) *Attorney, Agent, or Firm* — Fross Zelnick Lehrman & Zissu, P.C.; Charles T. Weigell, Esq.

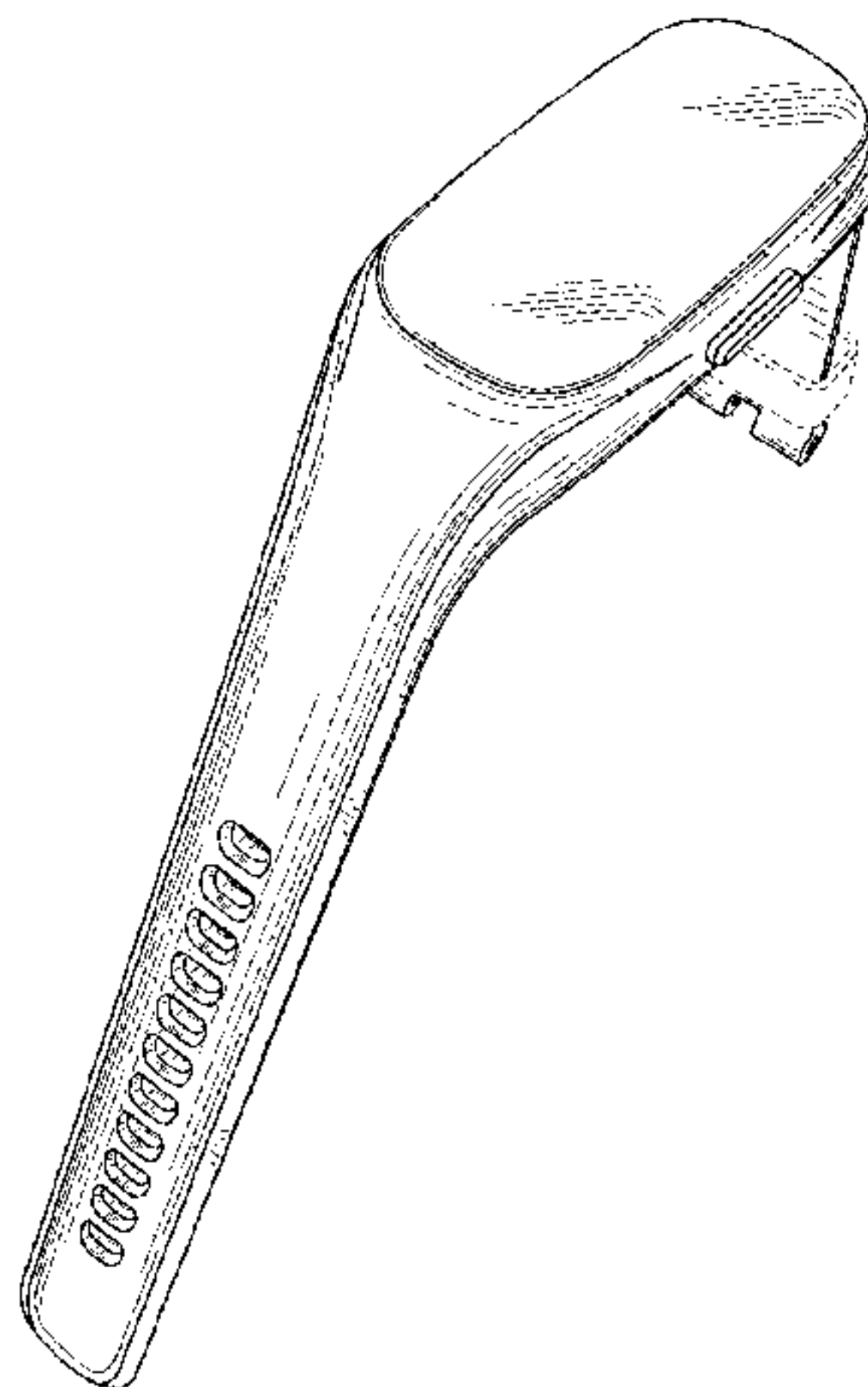
(57) **CLAIM**

The ornamental design for a watch, as shown and described.

DESCRIPTION

FIG. 1 is a perspective view of a watch showing my new design;
FIG. 2 is a back view thereof, with the front strap removed for ease of illustration;
FIG. 3 is a front view thereof, with the back strap removed for ease of illustration;
FIG. 4 is a left side view thereof;
FIG. 5 is a right side view thereof;
FIG. 6 is a top view thereof; and,
FIG. 7 is a bottom view thereof.
The broken lines depicting the strap buckle, loop, rounded element interior portion at the end of the short strap, and portions of the side and bottom of the watch case show unclaimed subject matter that forms no part of the claimed design.

1 Claim, 5 Drawing Sheets



(56)

References Cited

U.S. PATENT DOCUMENTS

D796,045 S * 8/2017 Henning D14/344
D802,466 S * 11/2017 Yu D11/3
D807,214 S * 1/2018 Au Yeung D10/98
D808,962 S * 1/2018 Wu D14/344
D816,080 S * 4/2018 Chen D14/344
10,014,967 B2 * 7/2018 Xie G06K 9/00288
D825,356 S * 8/2018 Yu D10/70
D826,763 S * 8/2018 Chuang D11/3
2016/0021771 A1 * 1/2016 Zhang G06F 1/163
361/752
2016/0128209 A1 * 5/2016 Yoon G01R 33/07
361/679.01
2017/0090512 A1 * 3/2017 Seok A61B 5/681

* cited by examiner

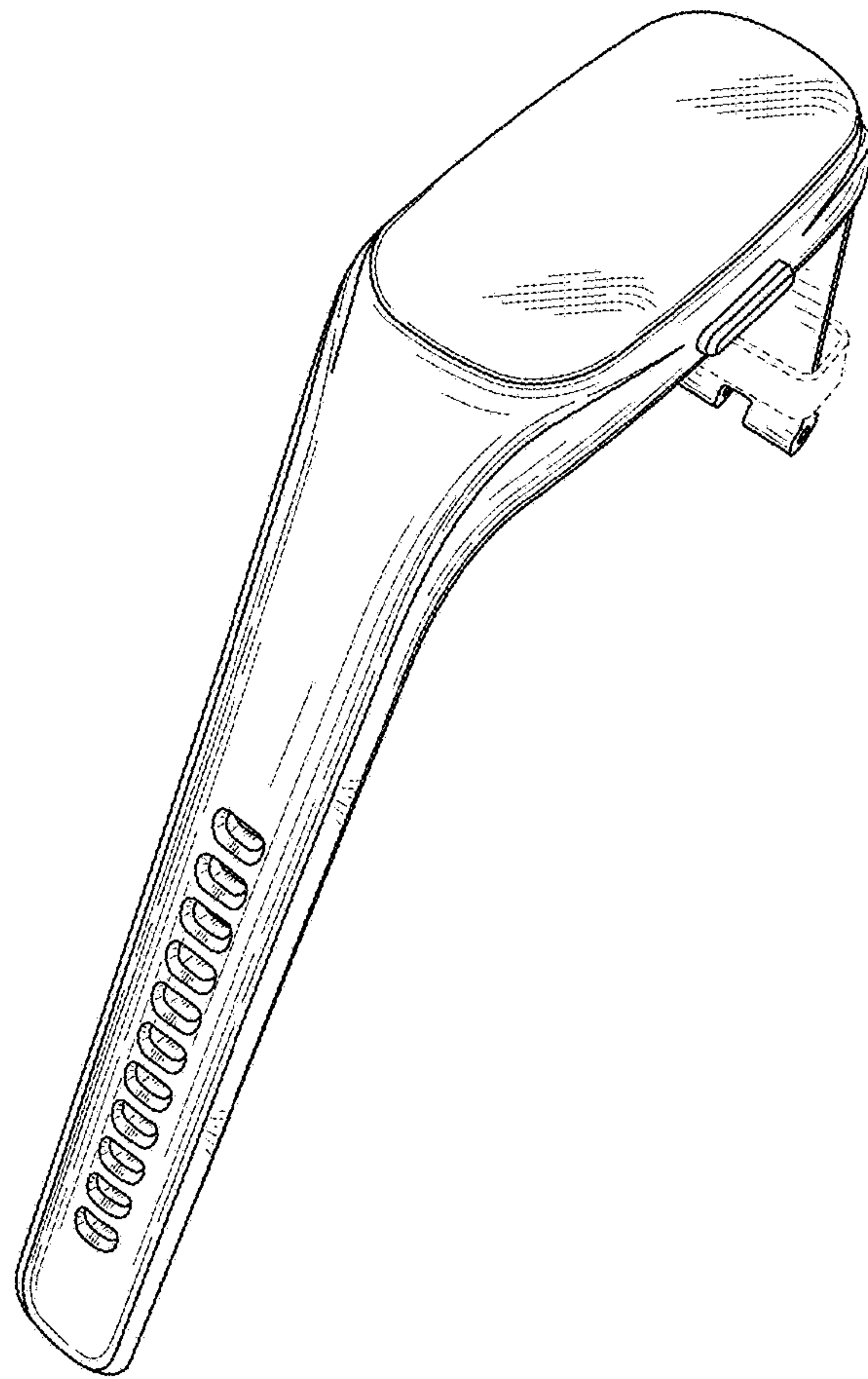


FIG. 1

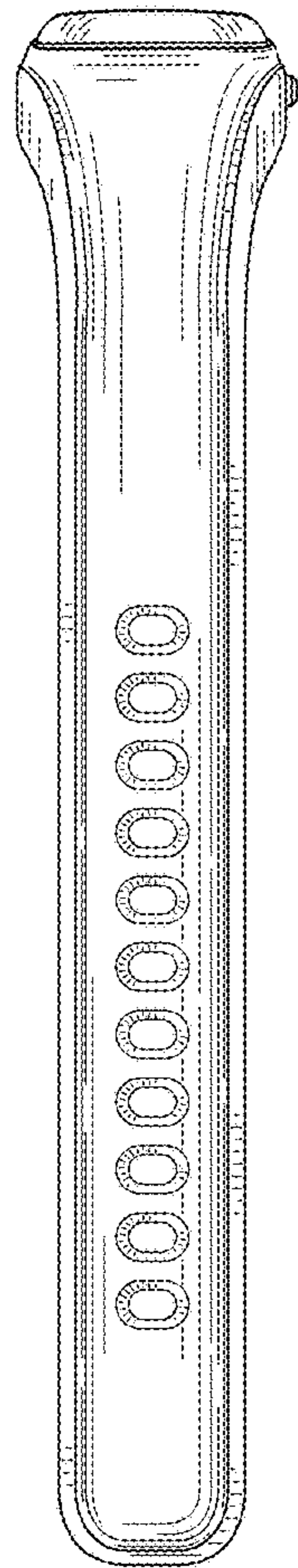


FIG. 2

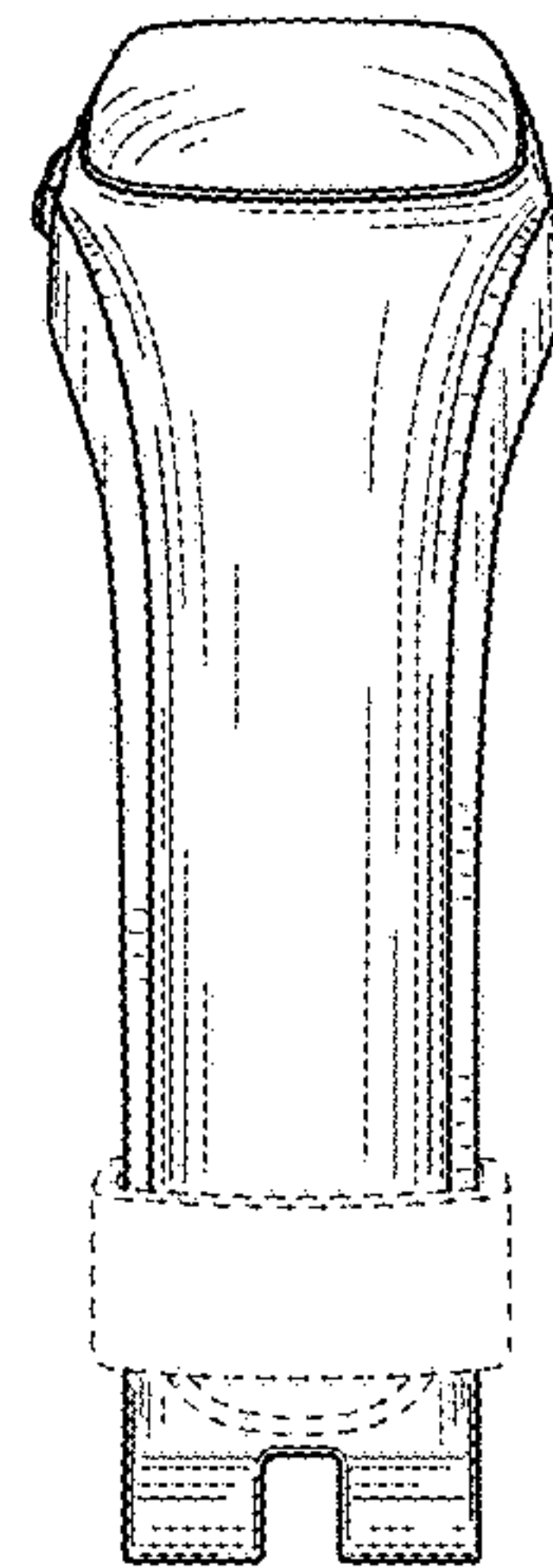


FIG. 3

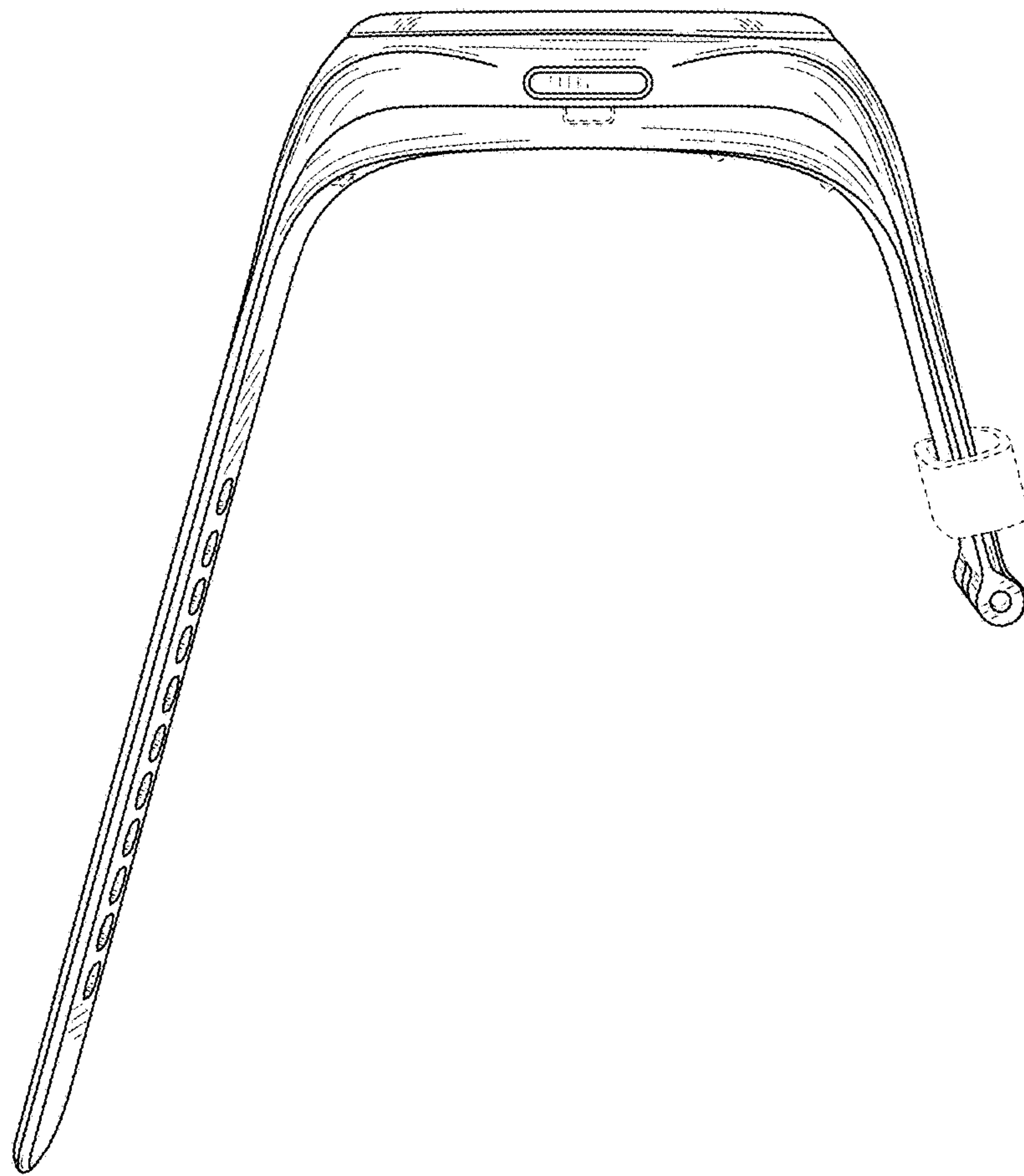


FIG. 4

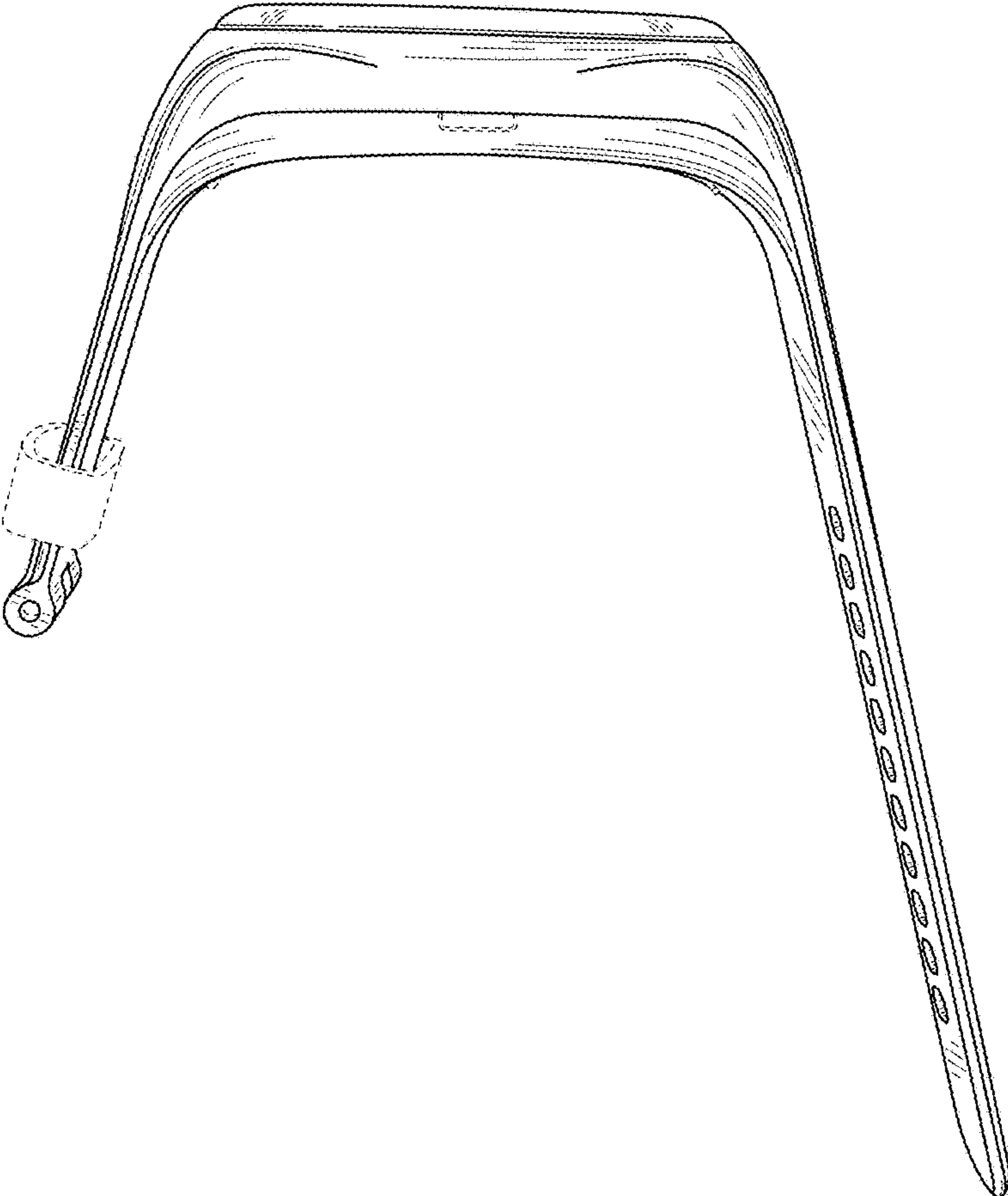


FIG. 5

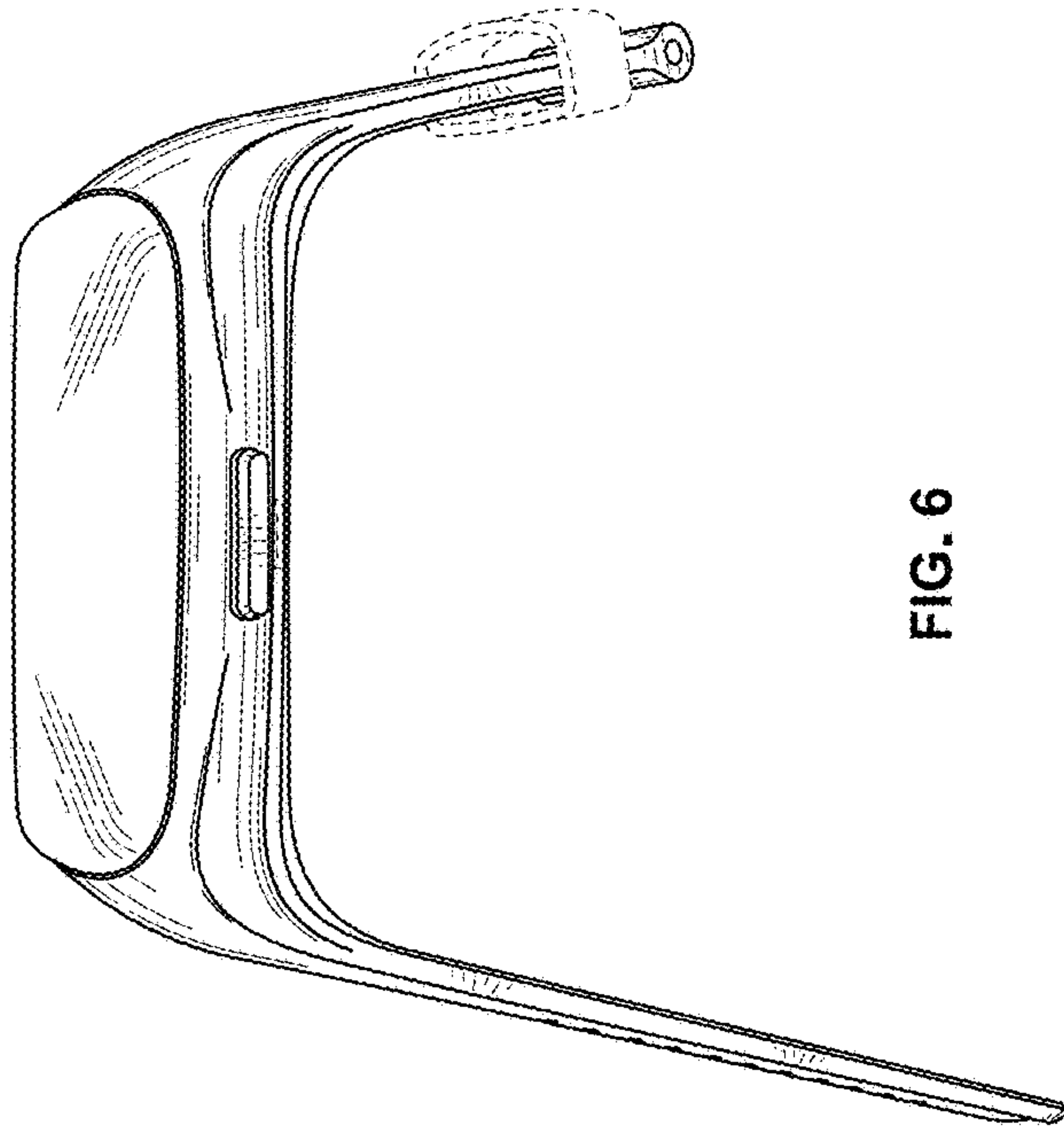


FIG. 6

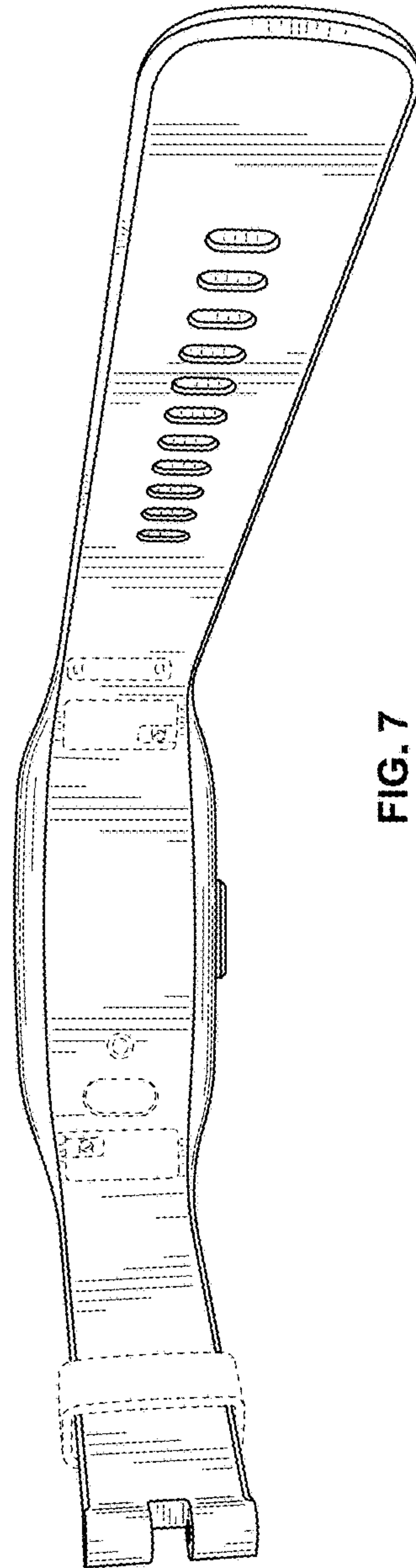


FIG. 7