

US00D860816S

(12) **United States Design Patent**  
**Rathbun**

(10) **Patent No.:** **US D860,816 S**

(45) **Date of Patent:** **\*\* Sep. 24, 2019**

(54) **CANISTER**

(71) Applicant: **Donald P Rathbun**, San Antonio, TX  
(US)

(72) Inventor: **Donald P Rathbun**, San Antonio, TX  
(US)

(\*\*) Term: **15 Years**

(21) Appl. No.: **29/620,590**

(22) Filed: **Mar. 6, 2017**

(51) **LOC (12) Cl.** ..... **09-01**

(52) **U.S. Cl.**  
USPC ..... **D9/780**

(58) **Field of Classification Search**  
USPC ..... D7/629; D9/414, 416, 428, 435, 438,  
D9/449, 451, 454, 500, 504, 529, 772,  
D9/780; D28/7, 82

CPC . B65D 1/00; B65D 1/12; B65D 1/165; B65D  
1/0261

See application file for complete search history.

(56) **References Cited**

**U.S. PATENT DOCUMENTS**

D291,843 S \* 9/1987 Searle ..... D3/302  
D324,997 S \* 3/1992 Jones ..... D28/82  
D522,364 S \* 6/2006 Hicks ..... D9/449

D581,792 S \* 12/2008 Krohn ..... D9/504  
D582,772 S \* 12/2008 Bakic ..... D9/449  
D603,698 S \* 11/2009 VerWeyst ..... D9/500  
D606,862 S \* 12/2009 Mora-Hernandez ..... D9/449  
D609,568 S \* 2/2010 Mazurkiewicz ..... D9/449  
D635,015 S \* 3/2011 McKenzie ..... D9/416  
D650,269 S \* 12/2011 Berggren ..... D9/423  
D681,877 S \* 5/2013 Curry ..... D28/7  
D711,250 S \* 8/2014 Henriksson ..... D9/504  
D817,551 S \* 5/2018 Montoli ..... A45D 33/00  
D28/82

\* cited by examiner

*Primary Examiner* — Karen S Acker  
*Assistant Examiner* — Jasmine Mlinarcik

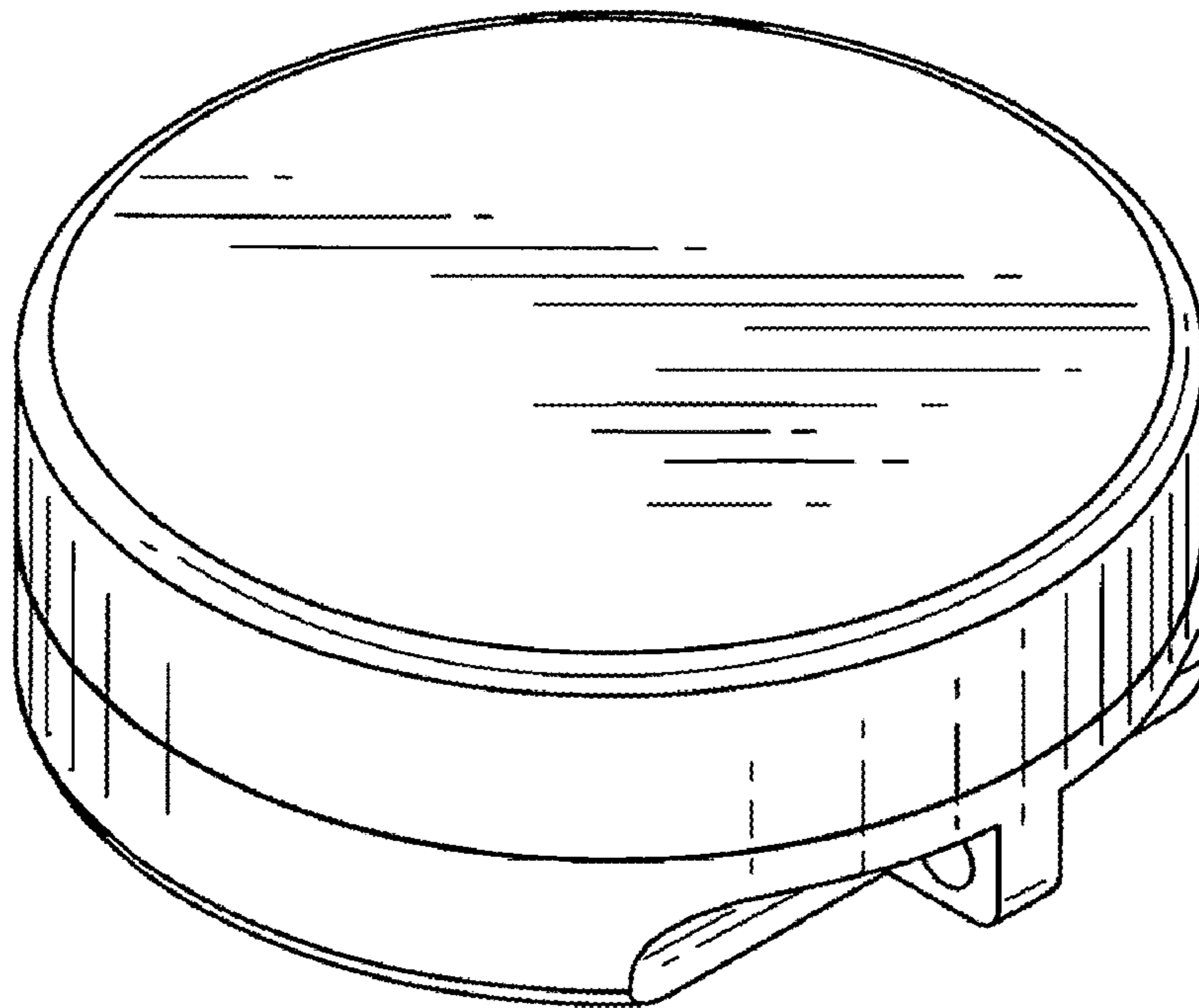
(57) **CLAIM**

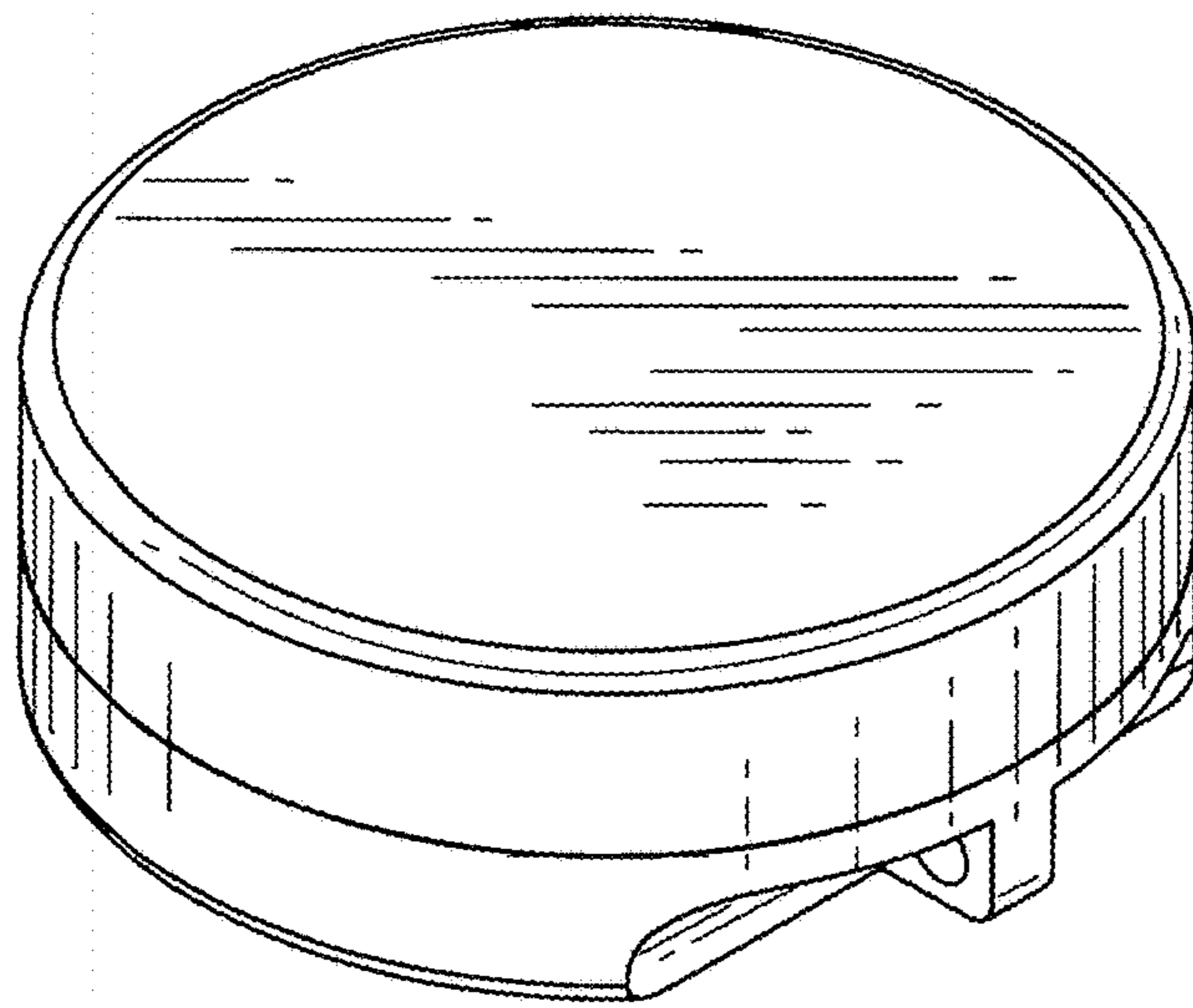
The ornamental design for a canister, as shown and described.

**DESCRIPTION**

FIG. 1 is perspective view of the canister showing my new design;  
FIG. 2 is a top view thereof;  
FIG. 3 is a right side view thereof;  
FIG. 4 is a front view thereof;  
FIG. 5 is a bottom view thereof;  
FIG. 6 is a left side view thereof; and,  
FIG. 7 is a rear view thereof.

**1 Claim, 3 Drawing Sheets**





*Fig. 1*

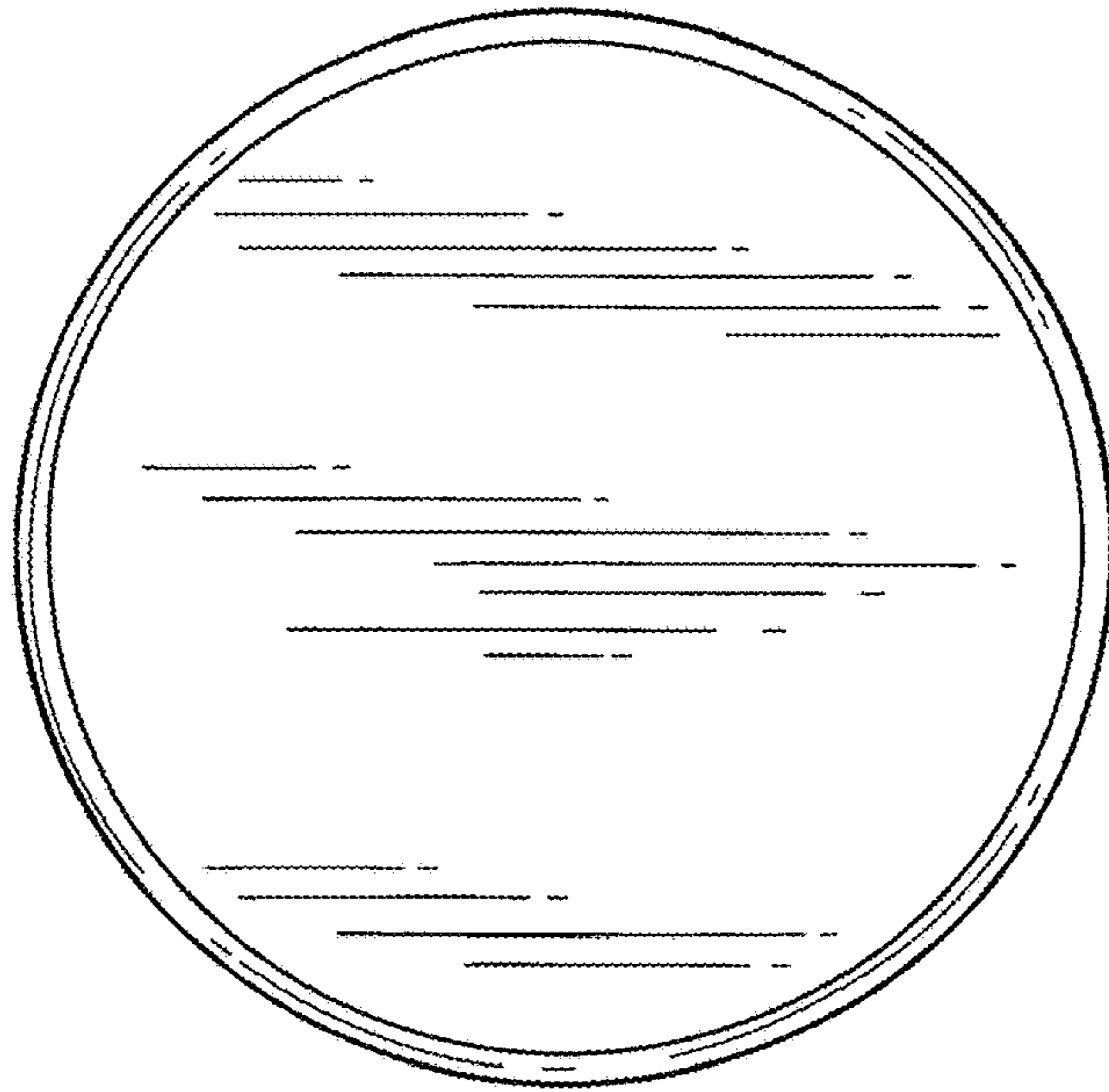


Fig. 2

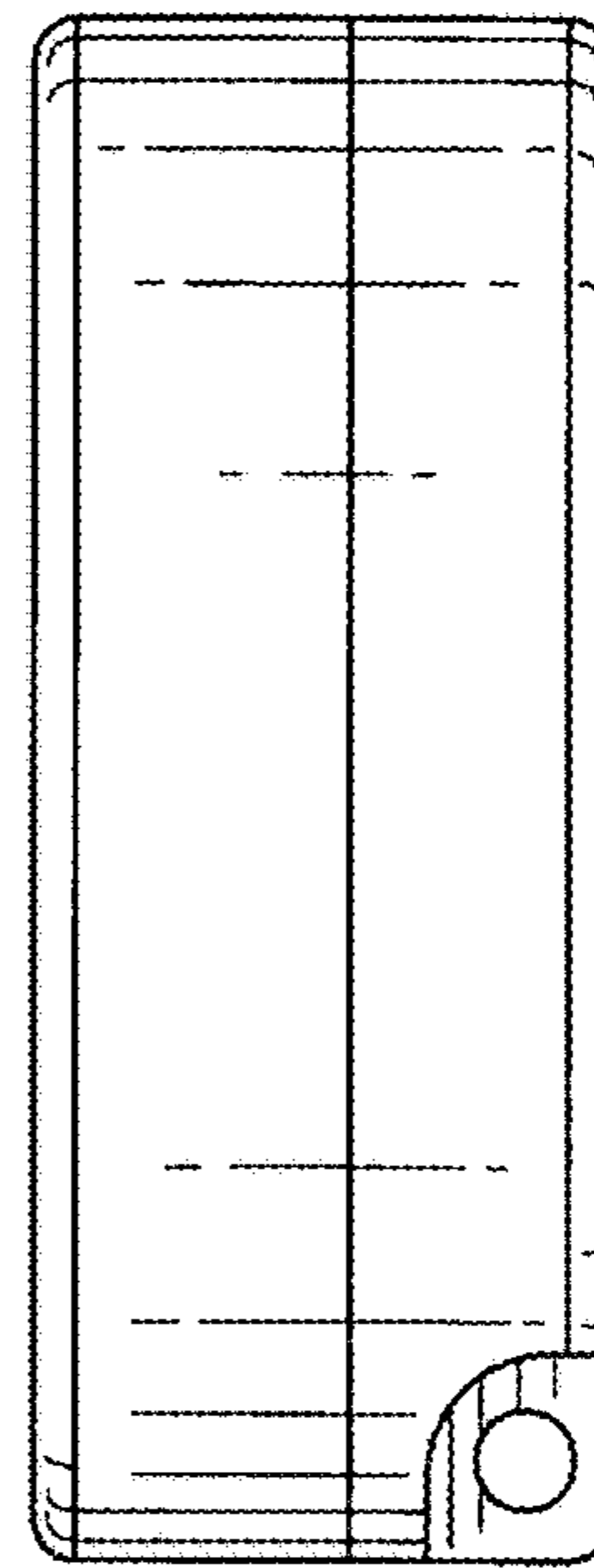


Fig. 3

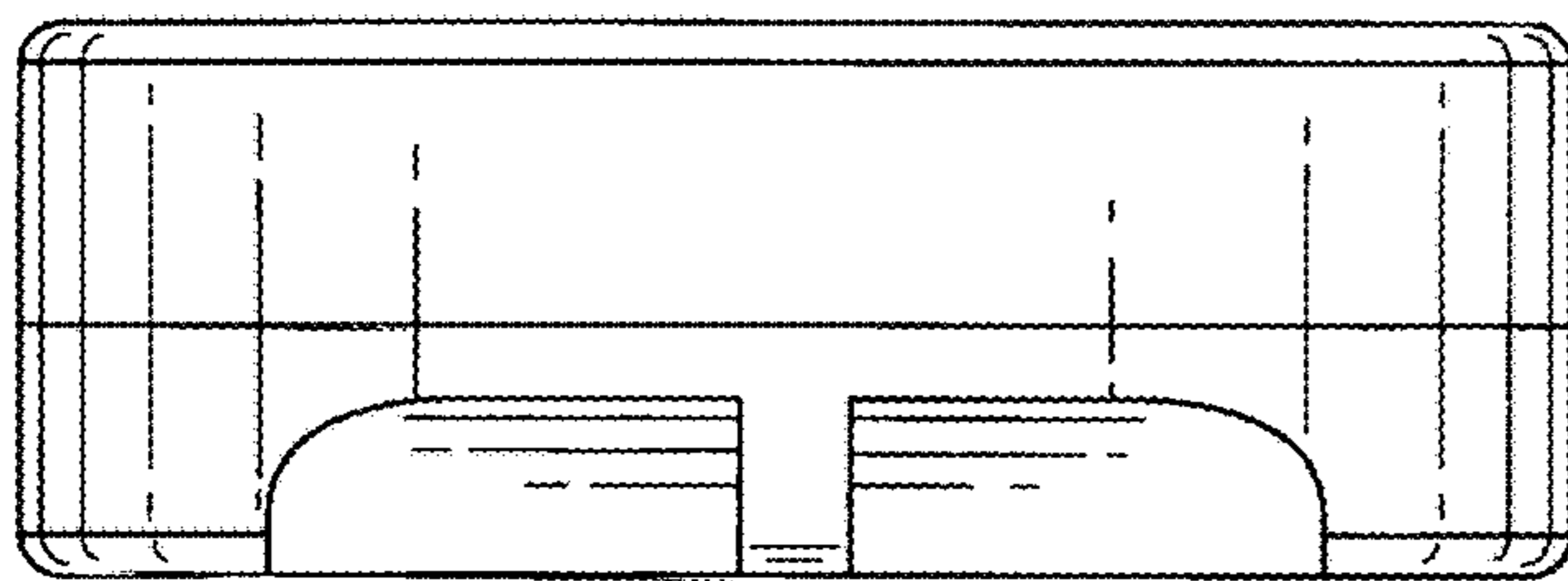


Fig. 4

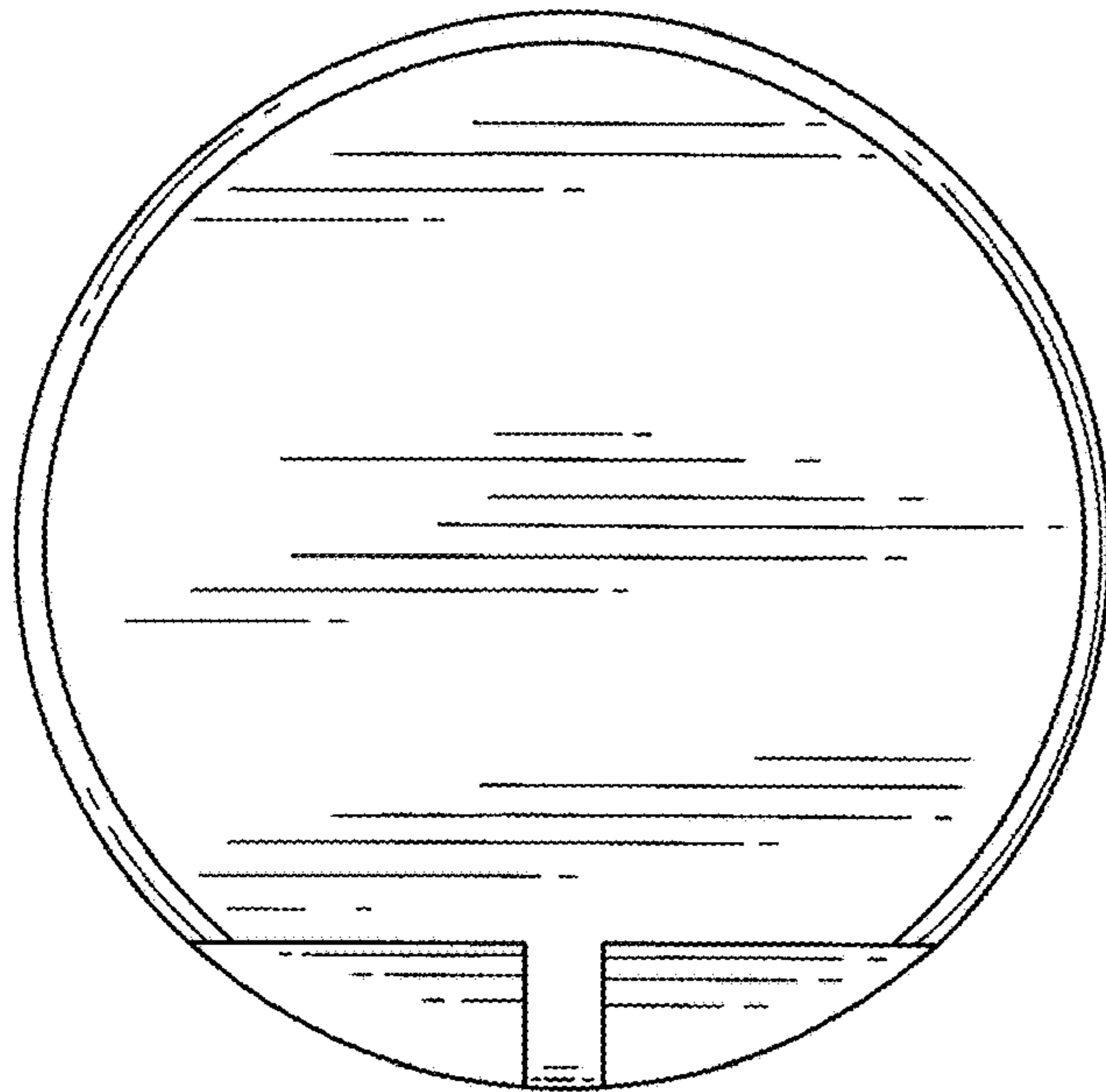


Fig. 5

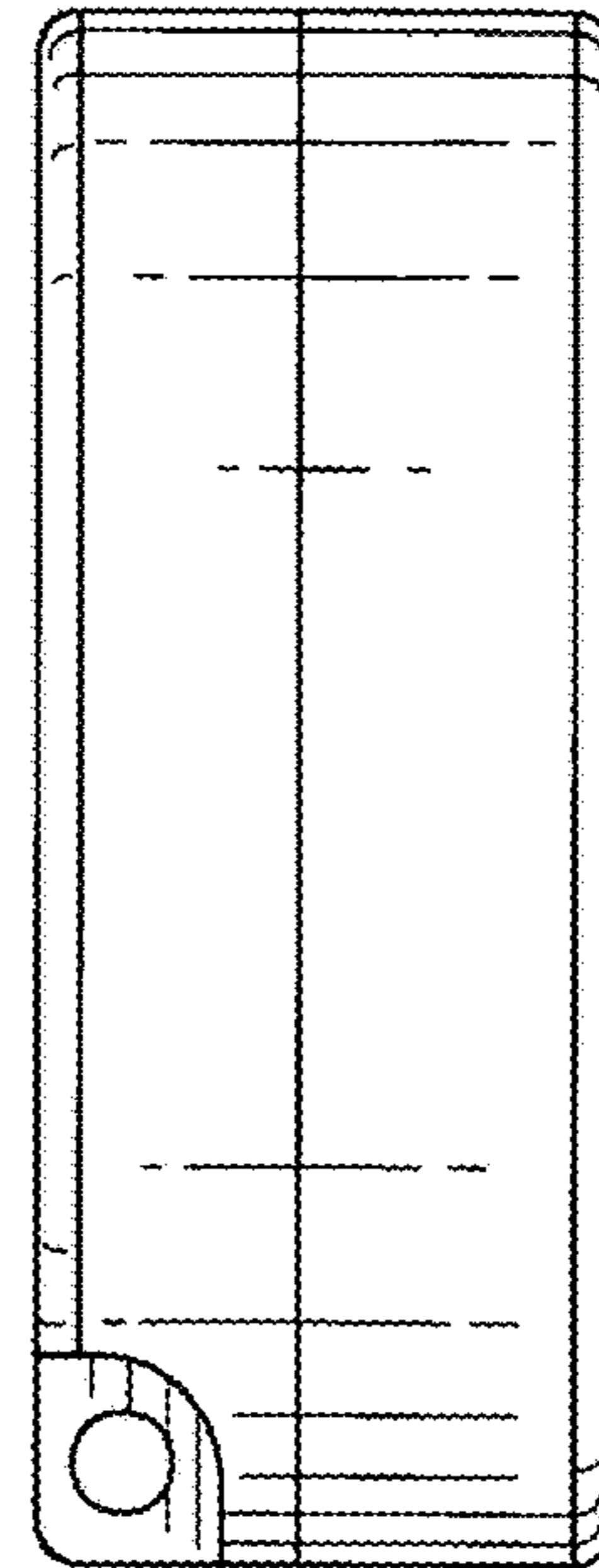


Fig. 6

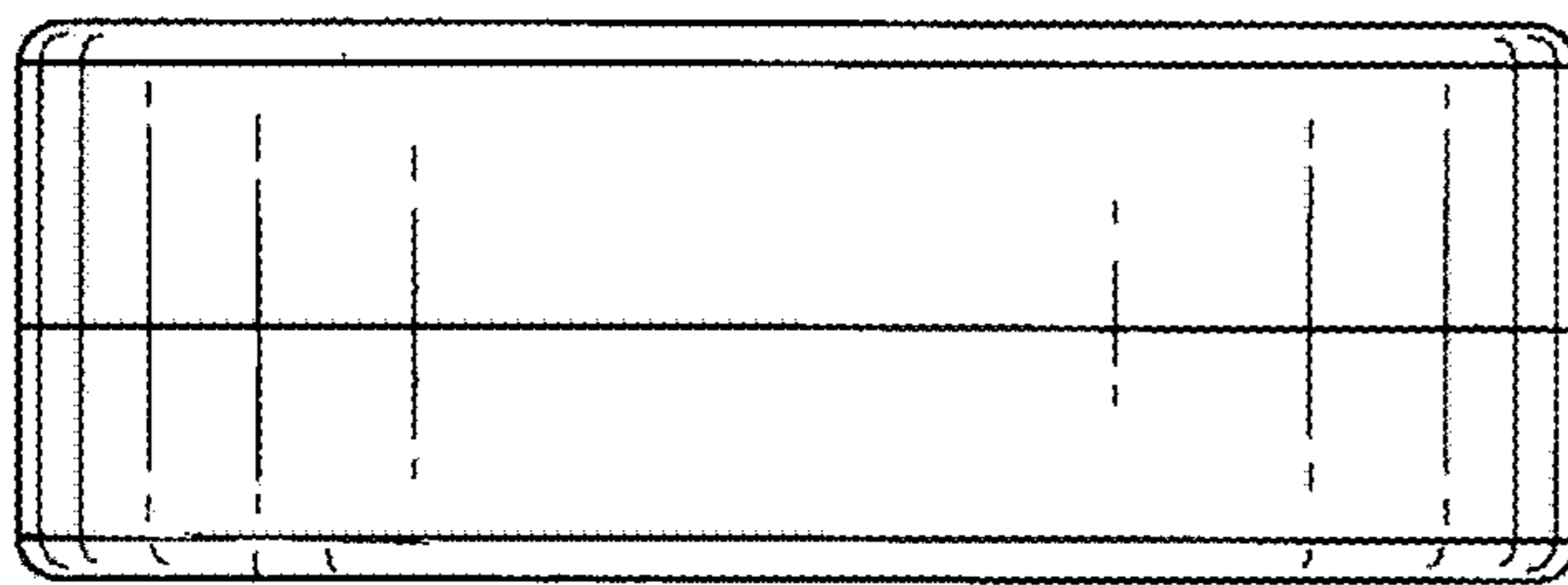


Fig. 7