



US00D860815S

(12) **United States Design Patent** (10) **Patent No.:** **US D860,815 S**
Dominion et al. (45) **Date of Patent:** **** Sep. 24, 2019**

- (54) **CONTAINER INSERT**
- (71) Applicant: **D6 Inc.**, Portland, OR (US)
- (72) Inventors: **Ed Dominion**, Portland, OR (US);
Martin Troutt, Wood Village, OR (US); **Ben McGregor**, Portland, OR (US)
- (73) Assignee: **D6 Inc.**, Portland, OR (US)
- (**) Term: **15 Years**
- (21) Appl. No.: **29/667,807**
- (22) Filed: **Oct. 24, 2018**

Related U.S. Application Data

- (63) Continuation-in-part of application No. 29/639,583, filed on Mar. 7, 2018.
- (51) **LOC (12) Cl.** **09-03**
- (52) **U.S. Cl.**
USPC **D9/761; D9/737**
- (58) **Field of Classification Search**
USPC D9/414, 424, 425, 737, 666, 761, 456, D9/499; D7/550.1, 551.1, 553.1, 553.8, D7/554.4, 701, 702, 628; D3/270, 271, D3/304, 313, 315; 220/575, 500, 220/505-507, 523, 553, 555, 556; 206/216, 217, 541-550, 518, 557, 558, 206/561, 564, 223, 467; 229/107, 406, 229/120, 125.17; 249/126, 134; 426/106; 215/211, 200, 224, 243
CPC B65D 85/34; B65D 85/345; B65D 43/161; B65D 43/162; B65D 43/16; B65D 51/28; B65D 2543/00194; B65D 2543/00296; B65D 1/24; B65D 21/0237; B65D 2543/00101; B65D 2543/00351; B65D 1/36; B65D 2543/00555; B65D 2581/3425;

(Continued)

- (56) **References Cited**
U.S. PATENT DOCUMENTS
D172,271 S * 5/1954 Despres D7/553.4
D290,919 S * 7/1987 Beute A47G 19/065
D7/543

(Continued)

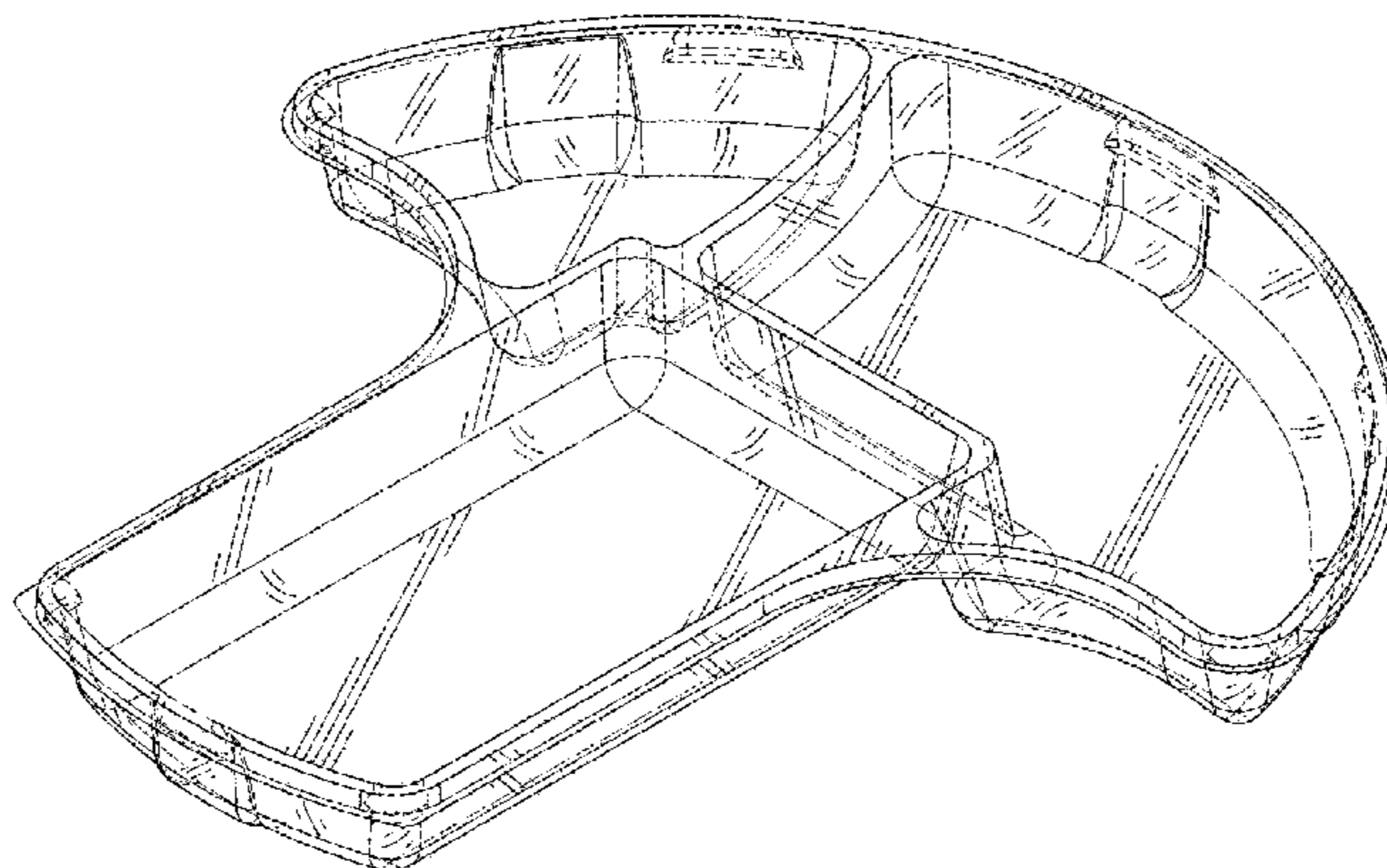
Primary Examiner — Cathron C Brooks
Assistant Examiner — W. A. Teddy Falloway
(74) *Attorney, Agent, or Firm* — Stoel Rives LLP

- (57) **CLAIM**
The ornamental design for a container insert, as shown and described.

DESCRIPTION

FIG. 1 is a front, top perspective view of a container insert showing our new design;
 FIG. 2 is a front elevational view of the container insert showing our new design;
 FIG. 3 is a rear elevational view of the container insert showing our new design;
 FIG. 4 is a right side view of the container insert showing our new design;
 FIG. 5 is a left side view of the container insert showing our new design;
 FIG. 6 is a top plan view of the container insert showing our new design;
 FIG. 7 is a bottom plan view of the container insert showing our new design;
 FIG. 8 is a front, bottom perspective view of the container insert showing our new design;
 FIG. 9 is a front perspective environmental view of the container insert showing our new design; and,
 FIG. 10 is an exploded front perspective environmental view of the container insert showing our new design.
 The broken-lines shown in FIGS. 9 and 10 illustrate environmental structure. All other broken lines represent portions of the container insert. The broken lines form no part of the claimed design.

1 Claim, 8 Drawing Sheets



(58) **Field of Classification Search**

CPC B65D 25/04; B65D 43/0218; B65D
2543/00083; B65D 2543/00268; B65D
2543/00277; B65D 81/3453; A47G 19/02;
A47G 19/065; A47G 23/0608; A47G
23/06

See application file for complete search history.

(56) **References Cited**

U.S. PATENT DOCUMENTS

4,989,742 A * 2/1991 Powell A47G 19/06
206/549
5,598,944 A * 2/1997 Aragona A47G 19/06
206/518
D551,091 S * 9/2007 Shahsavarani D9/737
D555,475 S * 11/2007 Enriquez D9/432
D594,280 S * 6/2009 Wolhendler D7/549
D594,281 S * 6/2009 Luft D7/549
D615,821 S * 5/2010 Stamper D7/538
D631,696 S * 2/2011 Lipfert D7/505
D656,280 S * 3/2012 St. Clair D30/122
D681,286 S * 4/2013 Namvong D30/129
D698,665 S * 2/2014 Sifuentes D9/425
D708,904 S * 7/2014 Coyle A47G 23/06
D7/544
D723,392 S * 3/2015 Sifuentes D9/425
D740,615 S * 10/2015 Shoshan D7/553.2
D782,333 S * 3/2017 Shoshan D9/737
D804,961 S * 12/2017 Shoshan D9/737
D809,934 S * 2/2018 Shoshan D9/737
D825,996 S * 8/2018 Rabiai A47G 23/06
D7/551.1
D829,509 S * 10/2018 Malak D7/553.1
2011/0132914 A1 * 6/2011 Vernes A47G 19/06
220/575

* cited by examiner

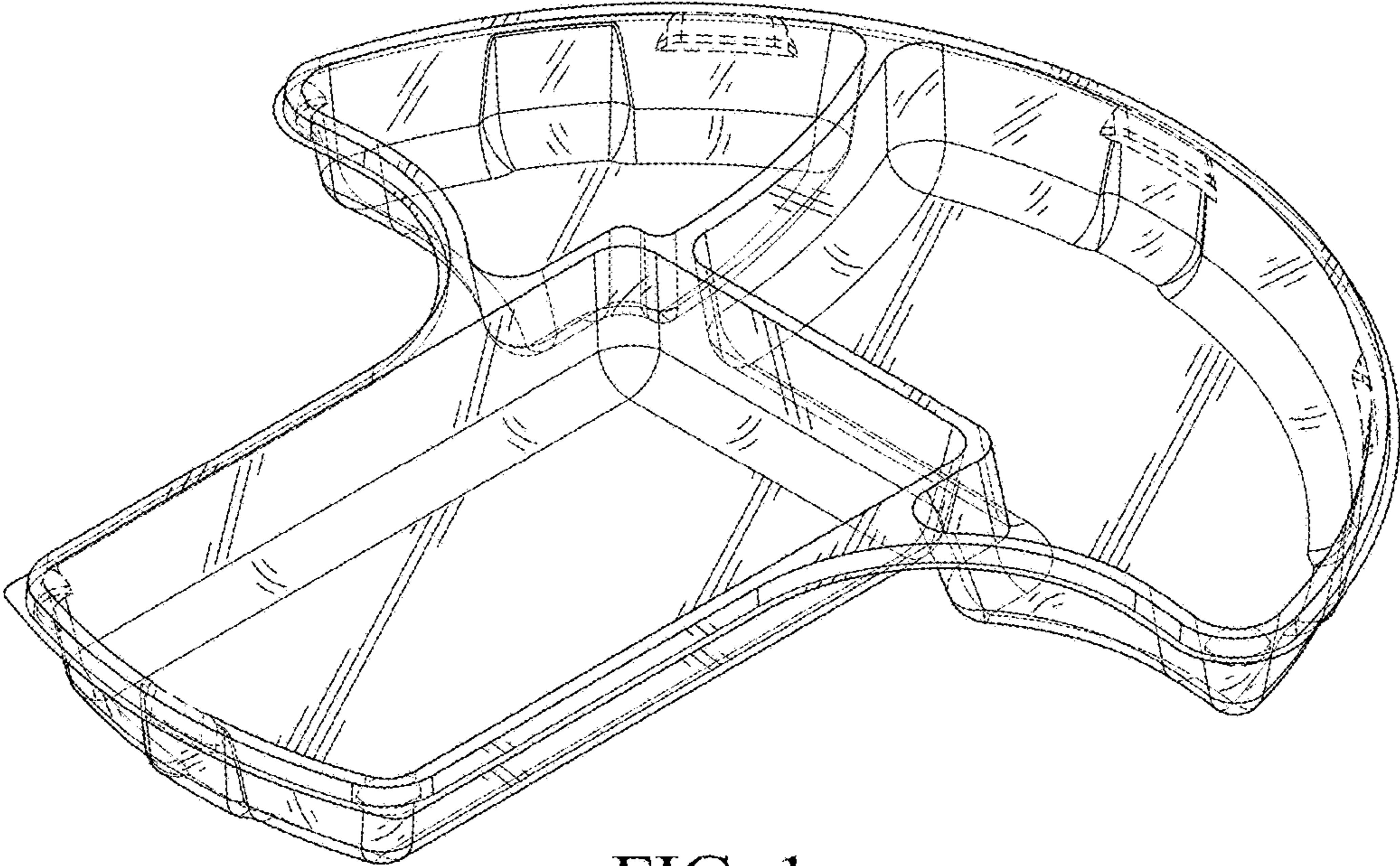


FIG. 1

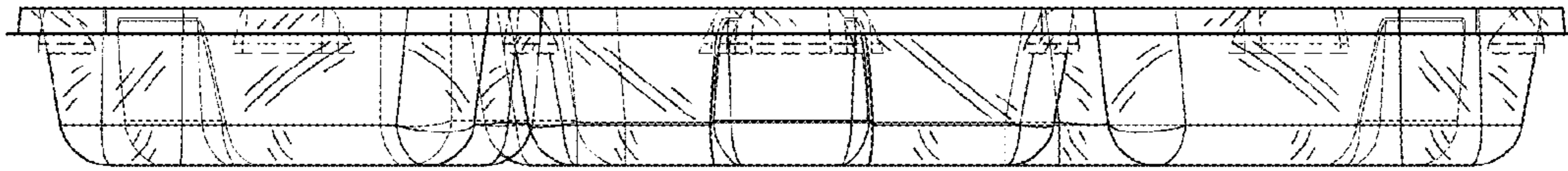


FIG. 2

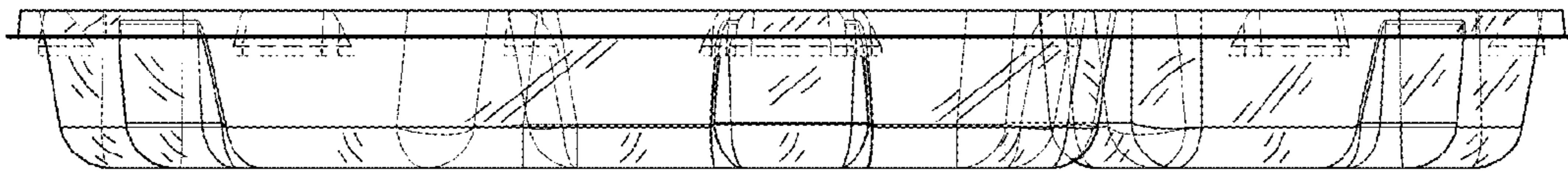


FIG. 3

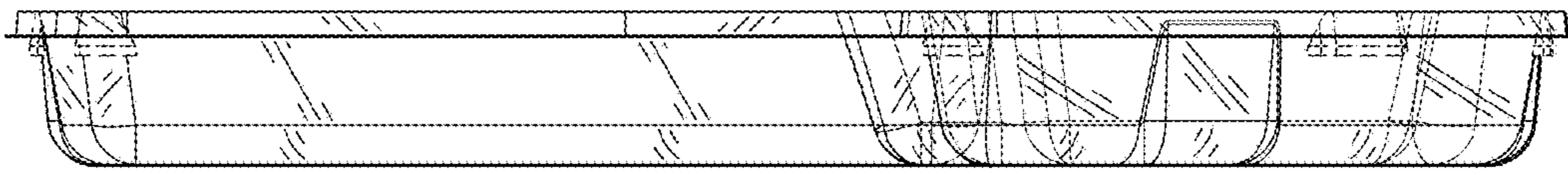


FIG. 4

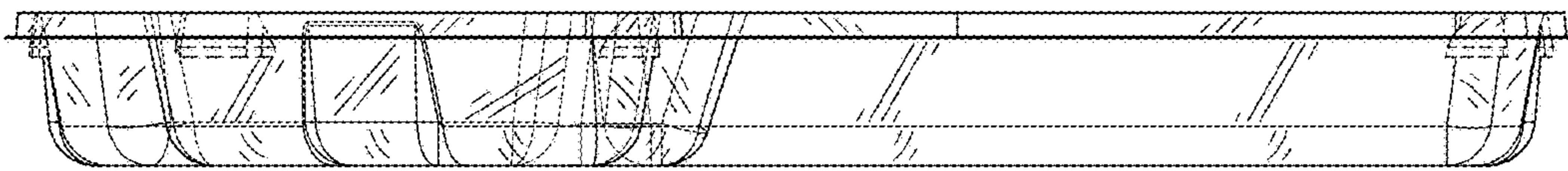


FIG. 5

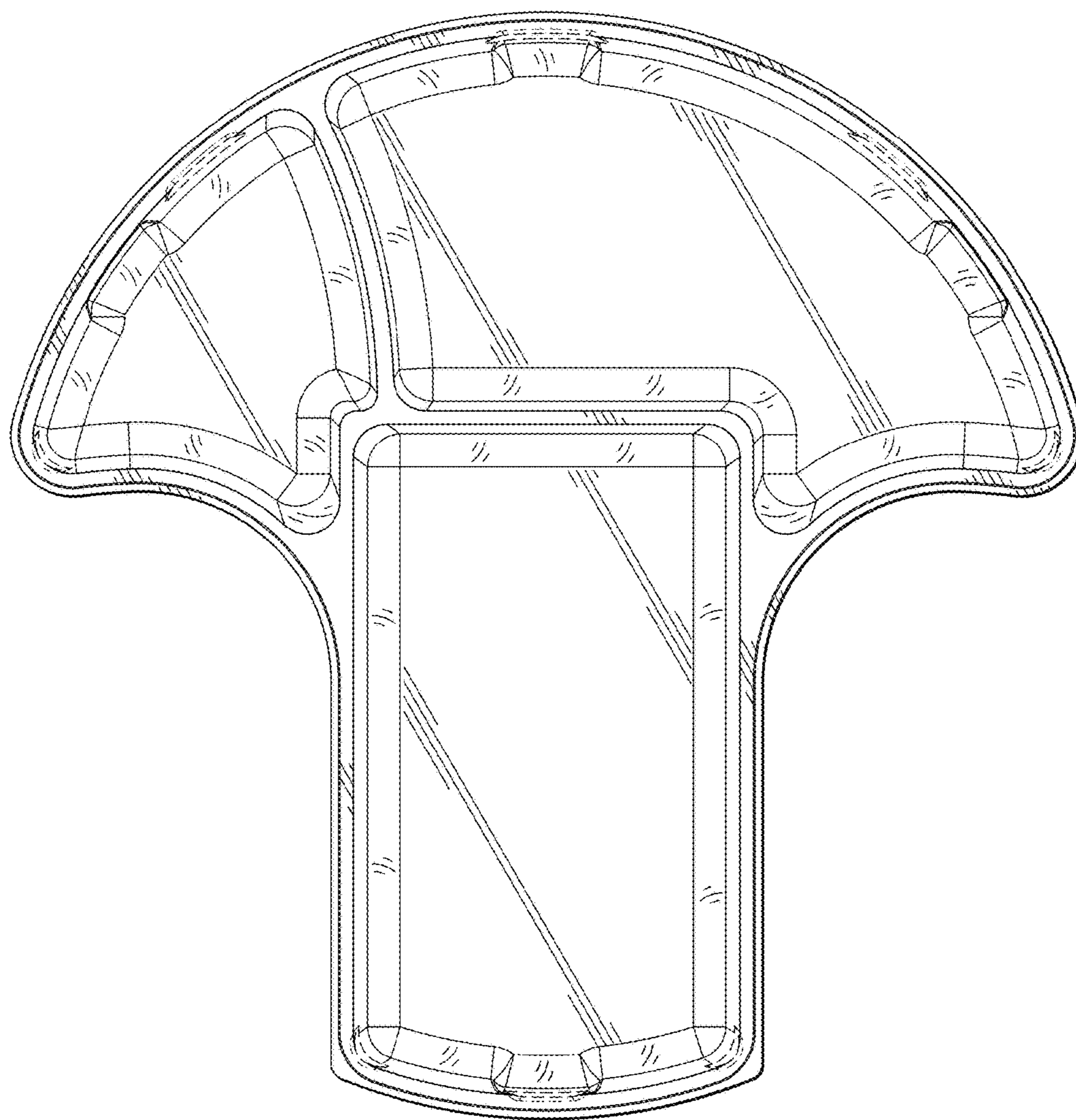


FIG. 6

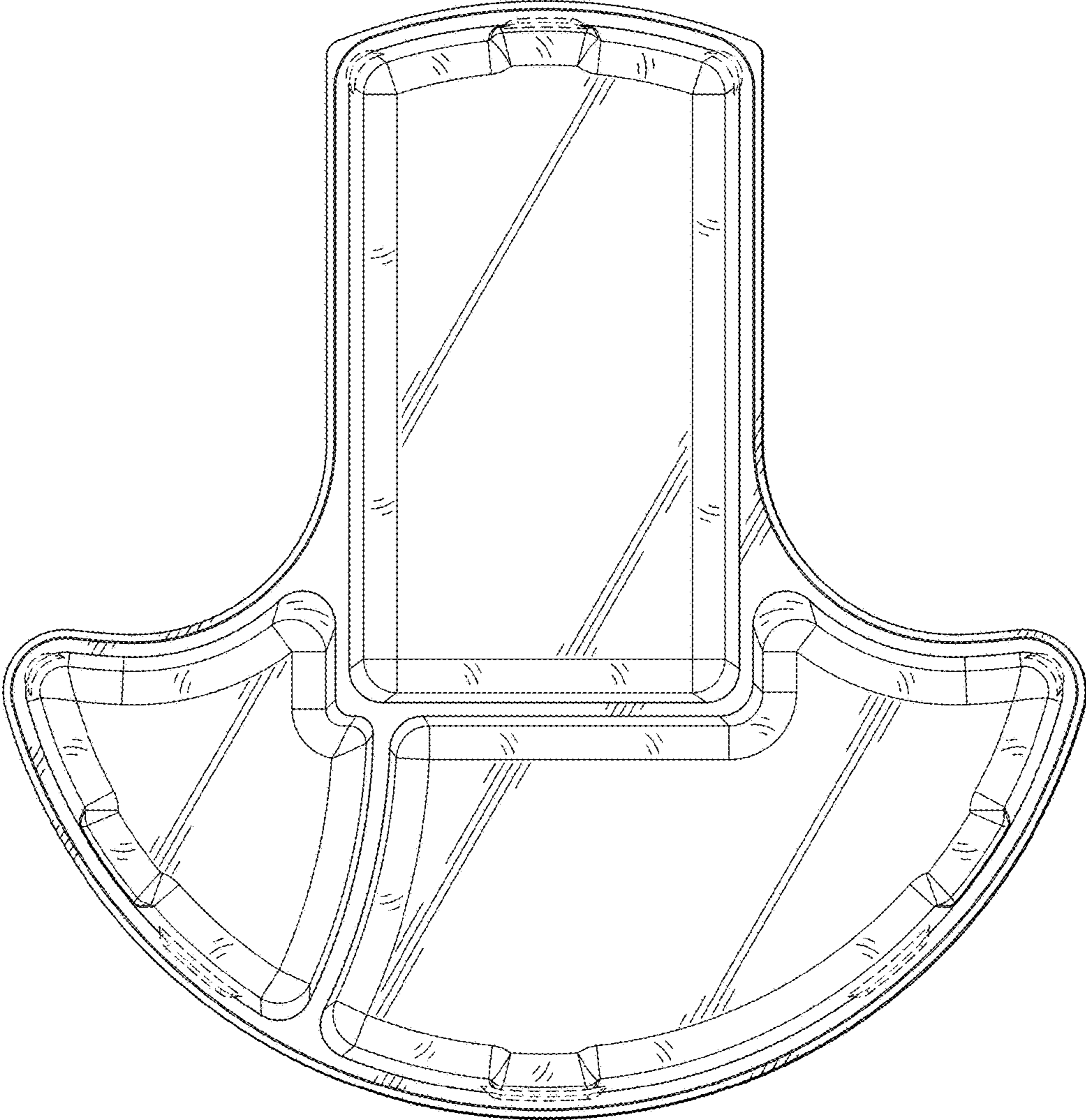


FIG. 7

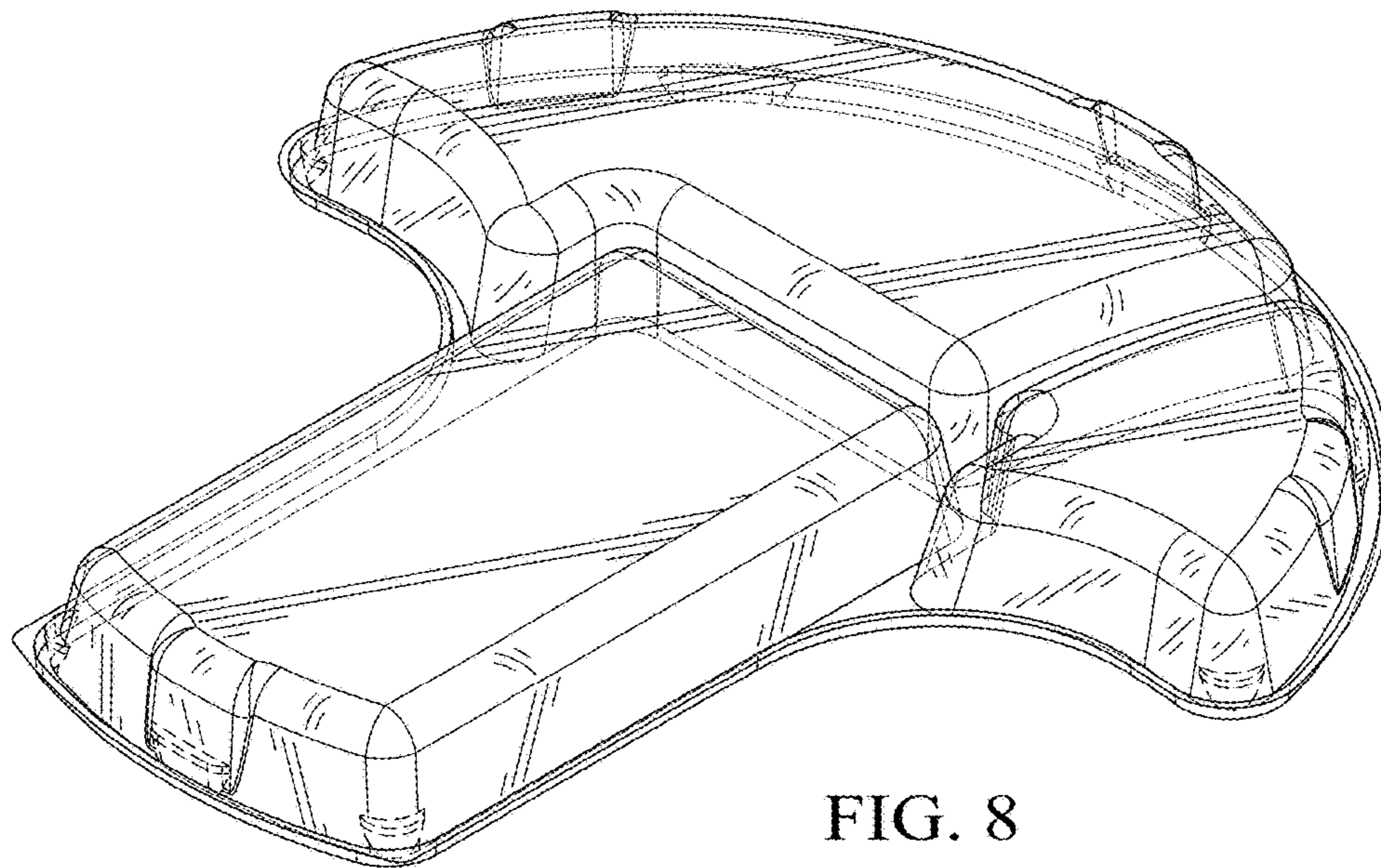


FIG. 8

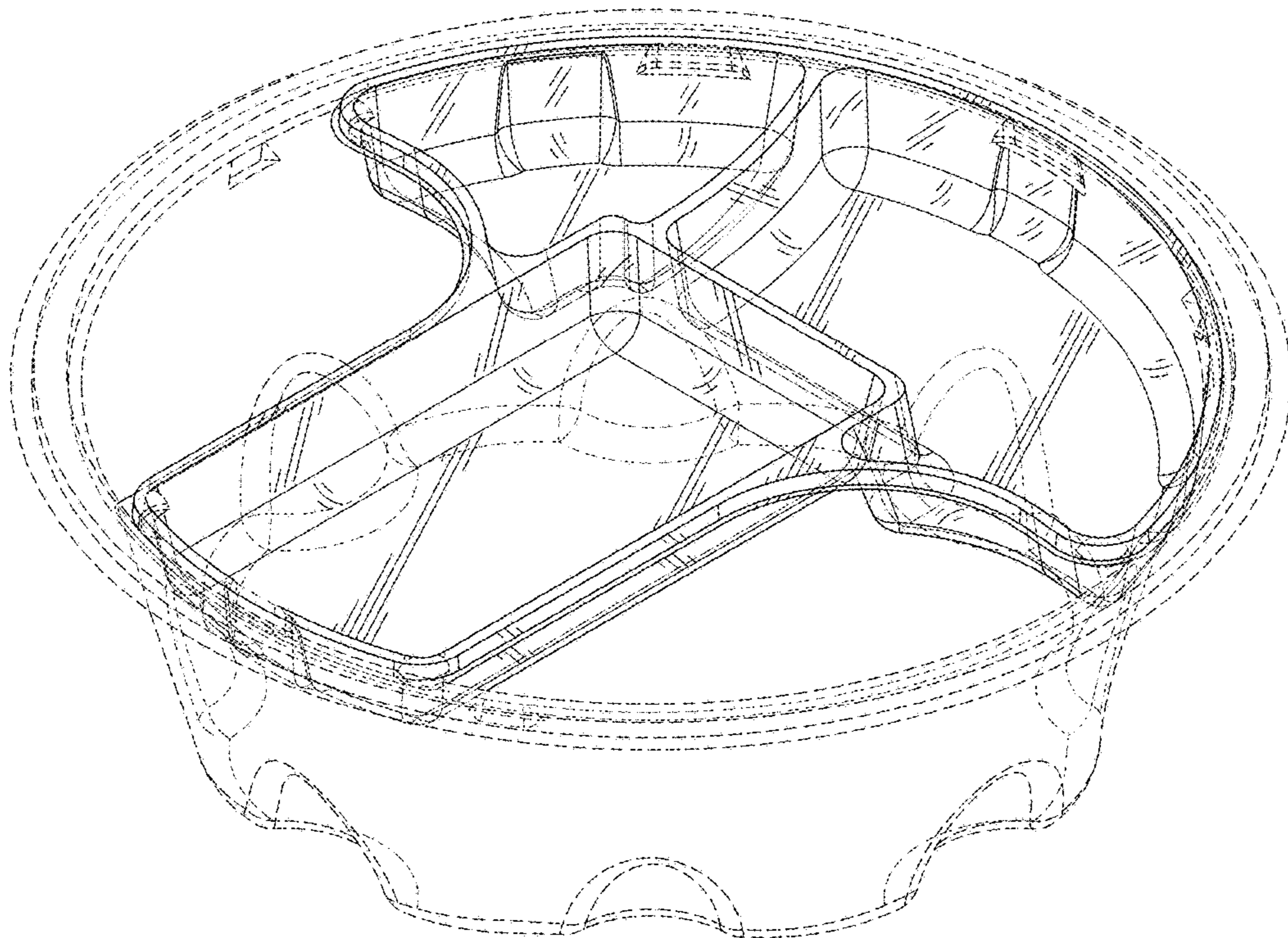


FIG. 9

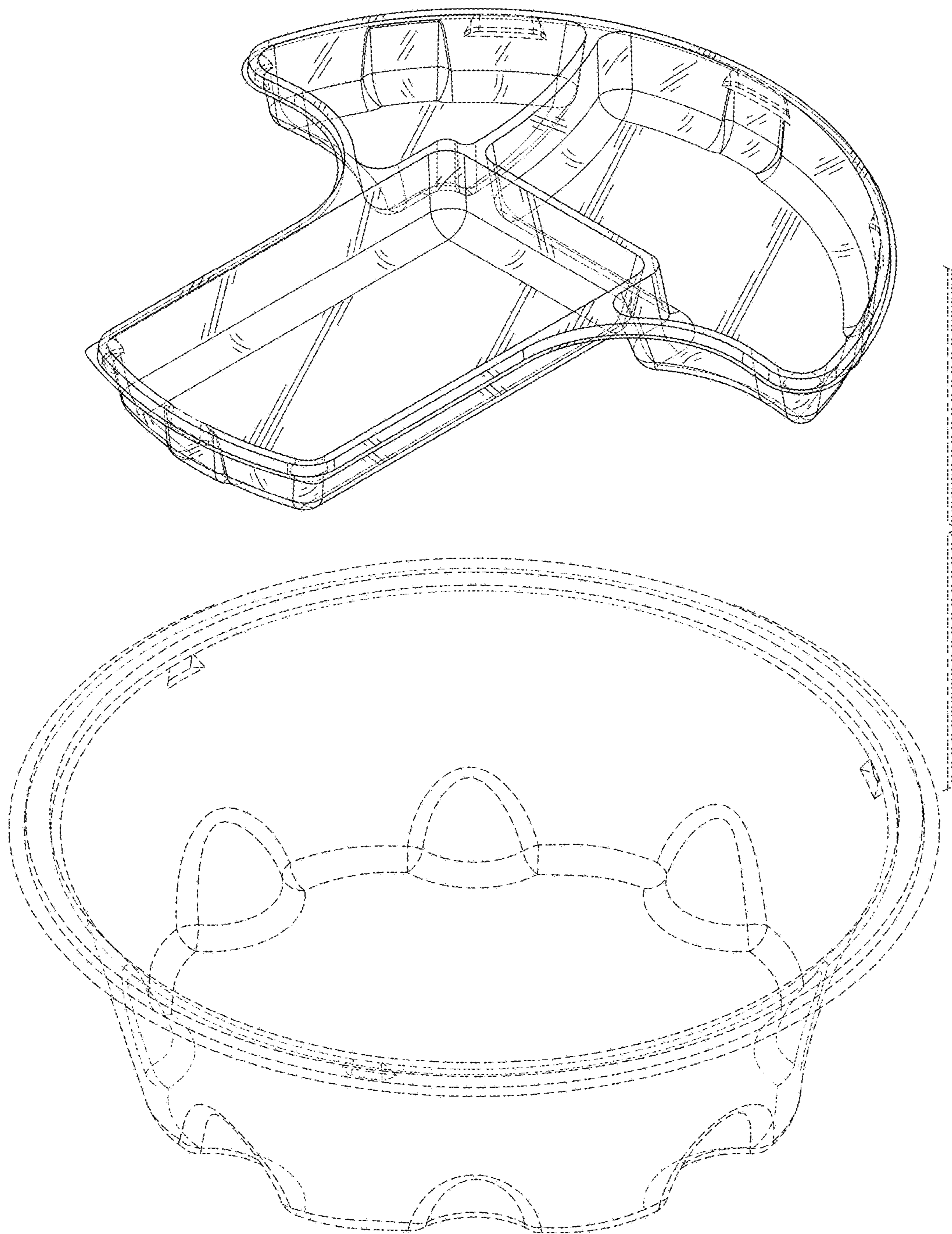


FIG. 10