



US00D860812S

(12) **United States Design Patent** (10) **Patent No.:** **US D860,812 S**  
**McNally et al.** (45) **Date of Patent:** **\*\* Sep. 24, 2019**

- (54) **CONTAINER FOR A RAZOR CARTRIDGE**
- (71) Applicant: **The Gillette Company LLC**, Boston, MA (US)
- (72) Inventors: **Patrick Francis McNally**, Pawtucket, RI (US); **Jessy Lee Cusack**, Somerville, MA (US)
- (73) Assignee: **The Gillette Company LLC**, Boston, MA (US)
- (\*\*) Term: **15 Years**
- (21) Appl. No.: **29/612,259**
- (22) Filed: **Jul. 31, 2017**
- (51) **LOC (12) Cl.** ..... **09-01**
- (52) **U.S. Cl.**  
USPC ..... **D9/736**
- (58) **Field of Classification Search**  
USPC ..... D9/735, 736, 737, 748, 749; D6/512, D6/526; D3/201, 205; D28/49  
CPC ..... B65D 73/0064; B65D 73/0014; B65D 77/26; B65D 85/1081; B65D 5/5016; B65D 71/70; B65D 25/106; B65D 25/22; B26B 21/40; B26B 21/36; B26B 19/3853; B26B 19/14; B26B 19/38; B26B 19/382; B26B 19/3813; A45D 27/48; A45D 27/22; A45D 27/225  
See application file for complete search history.

- (56) **References Cited**  
U.S. PATENT DOCUMENTS  
3,347,394 A \* 10/1967 Gould ..... B65D 21/0212 206/509  
D231,198 S \* 4/1974 Casselli et al. .... D9/736  
4,015,713 A \* 4/1977 Clipson ..... B65D 21/0213 206/509  
D259,226 S \* 5/1981 Lester ..... D6/526

- D275,165 S \* 8/1984 Grusin ..... D7/586
- D275,918 S \* 10/1984 Taylor ..... D3/304
- D309,970 S \* 8/1990 Embree ..... D3/304
- D310,748 S \* 9/1990 Embree ..... D3/304
- D316,962 S 5/1991 Gray
- 5,139,138 A \* 8/1992 Isaksen ..... B26B 21/06 132/292
- D353,764 S \* 12/1994 Ho ..... D9/736
- D397,290 S 8/1998 Petricca et al.
- D420,798 S \* 2/2000 Belokin ..... D3/201
- D430,013 S 8/2000 Shurtleff et al.
- D430,023 S 8/2000 Shurtleff et al.
- D440,874 S 4/2001 Shurtleff et al.
- D452,820 S \* 1/2002 Hacker ..... D9/456
- D503,893 S 4/2005 Kohring
- D549,574 S \* 8/2007 Watson ..... D9/418
- D558,063 S \* 12/2007 Kohring ..... D9/735
- D579,347 S 10/2008 Kohring
- D677,055 S \* 3/2013 Nowicky ..... D3/304
- D762,065 S \* 7/2016 Hsu ..... D3/304
- 10,188,189 B1 \* 1/2019 McNally ..... B26B 21/4037
- 2003/0209457 A1 \* 11/2003 Coffin ..... A45D 27/225 206/352

(Continued)

*Primary Examiner* — Lauren R Calve  
(74) *Attorney, Agent, or Firm* — Kevin C. Johnson

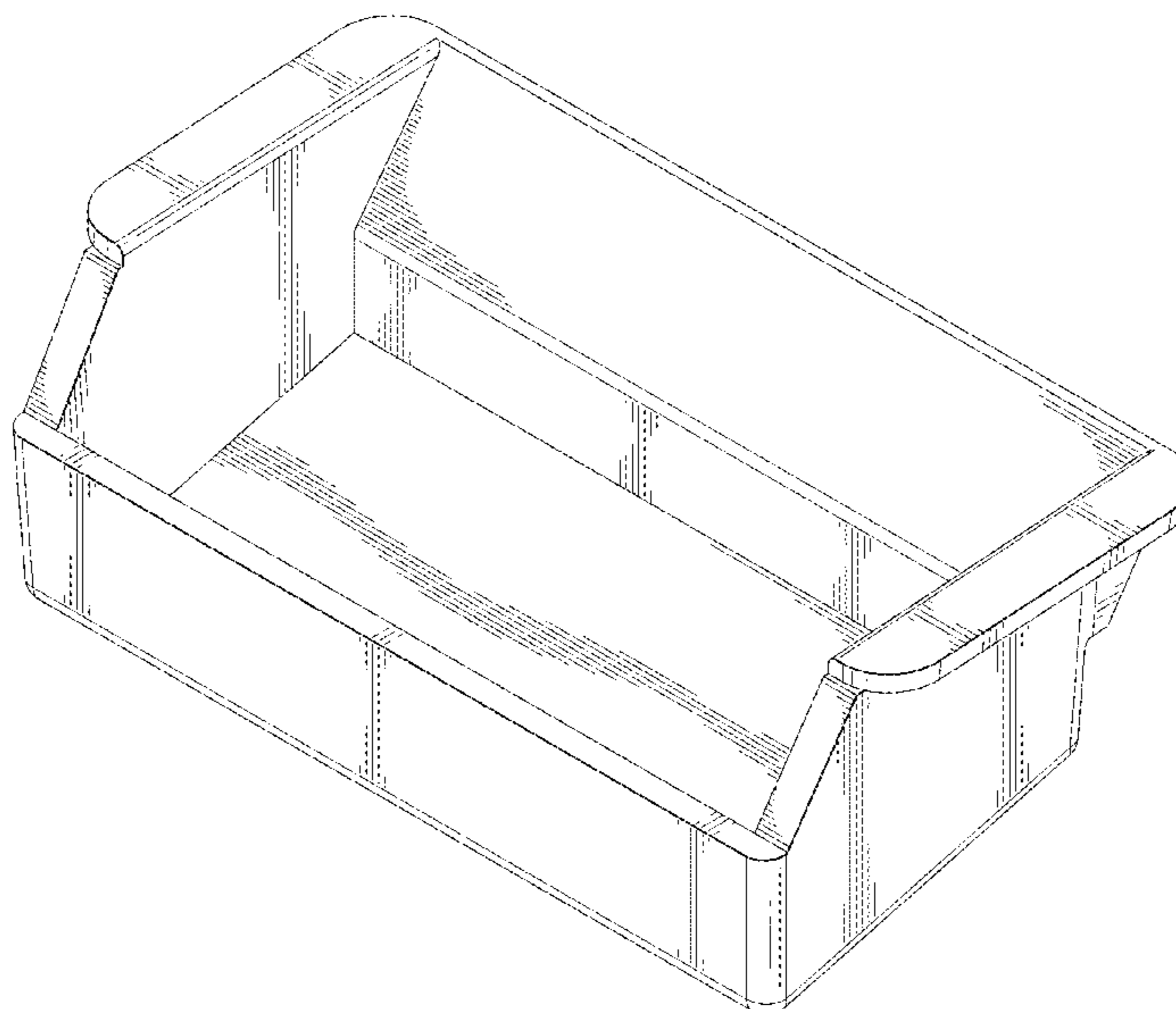
(57) **CLAIM**

The ornamental design for a container for a razor cartridge, as shown and described.

**DESCRIPTION**

FIG. 1 is a front perspective view of a container for a razor cartridge;  
FIG. 2 is a front view thereof;  
FIG. 3 is a rear view thereof;  
FIG. 4 is a right side view thereof;  
FIG. 5 is a left side view thereof;  
FIG. 6 is a top view thereof;  
FIG. 7 is a bottom view thereof; and,  
FIG. 8 is a bottom perspective view thereof.

**1 Claim, 7 Drawing Sheets**



(56)

**References Cited**

U.S. PATENT DOCUMENTS

2011/0139646 A1\* 6/2011 Sonnenberg ..... A45D 27/225  
206/352

\* cited by examiner

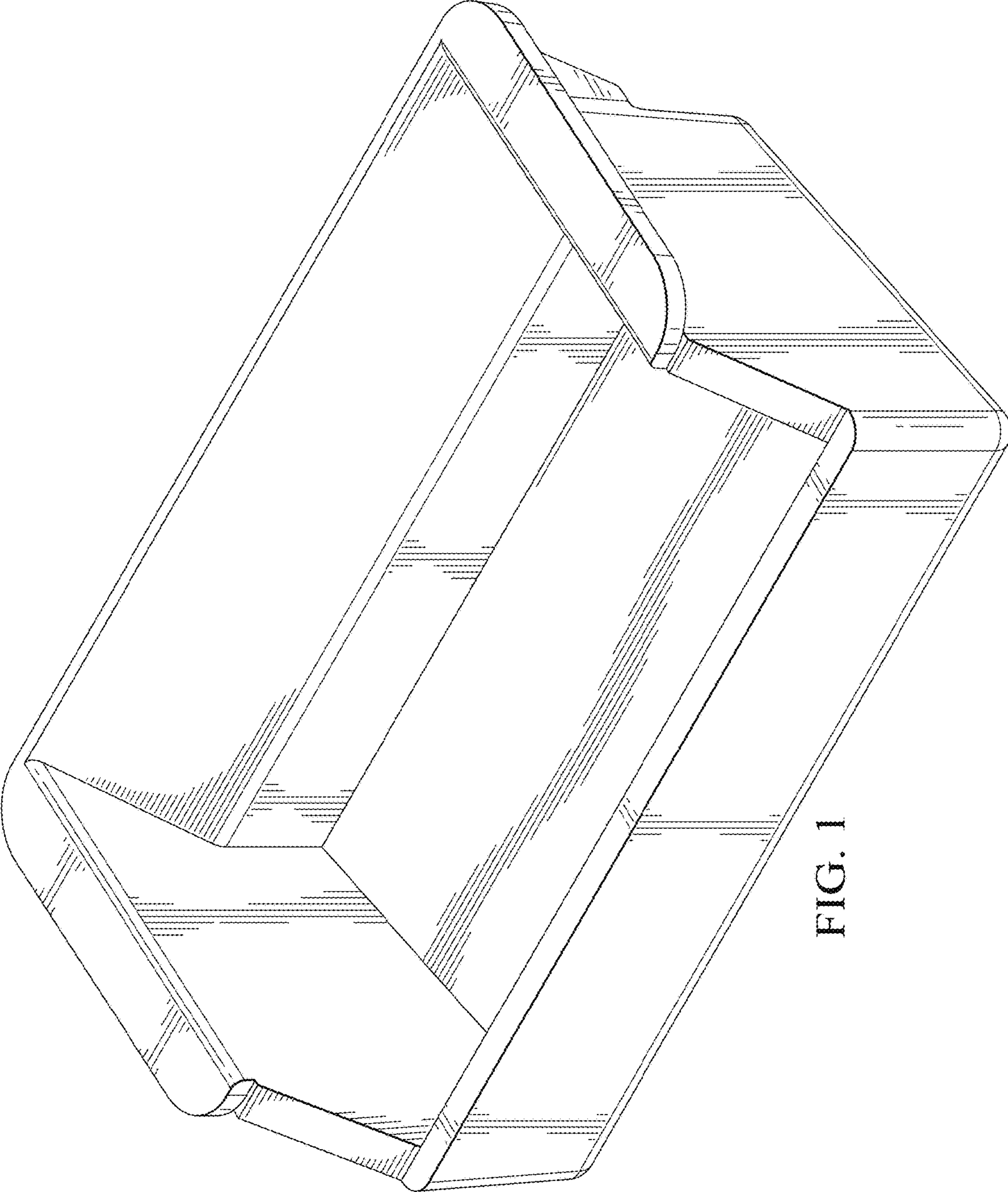


FIG. 1

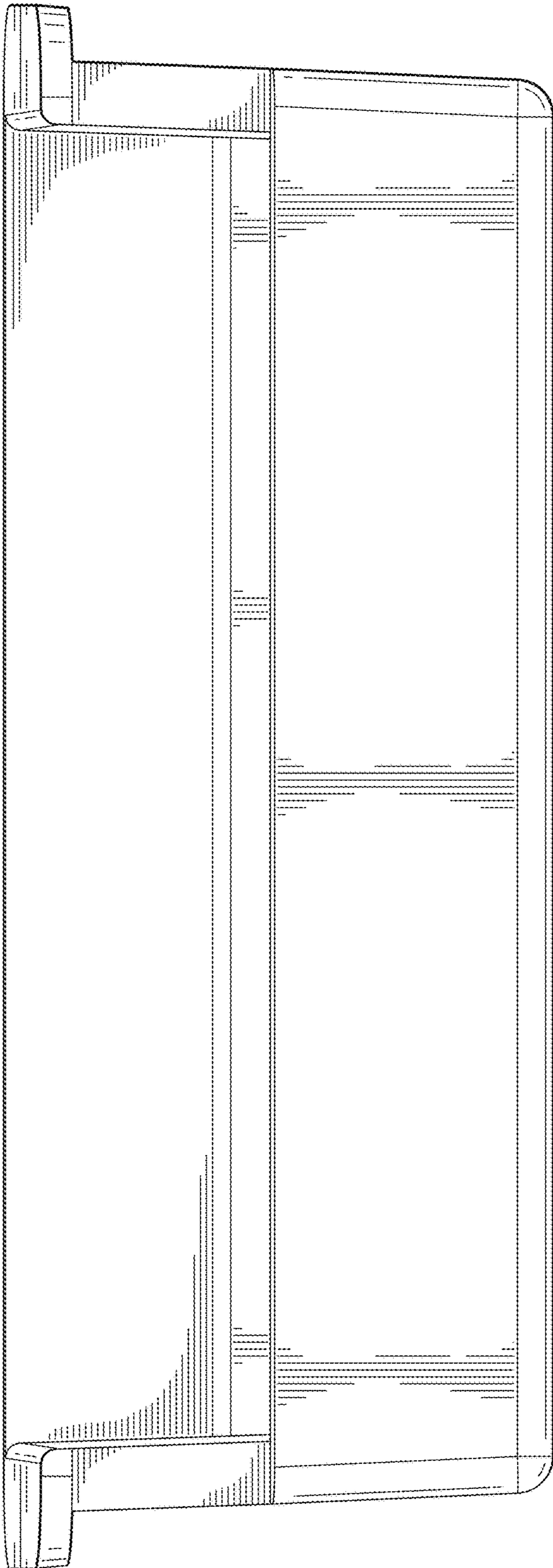


FIG. 2

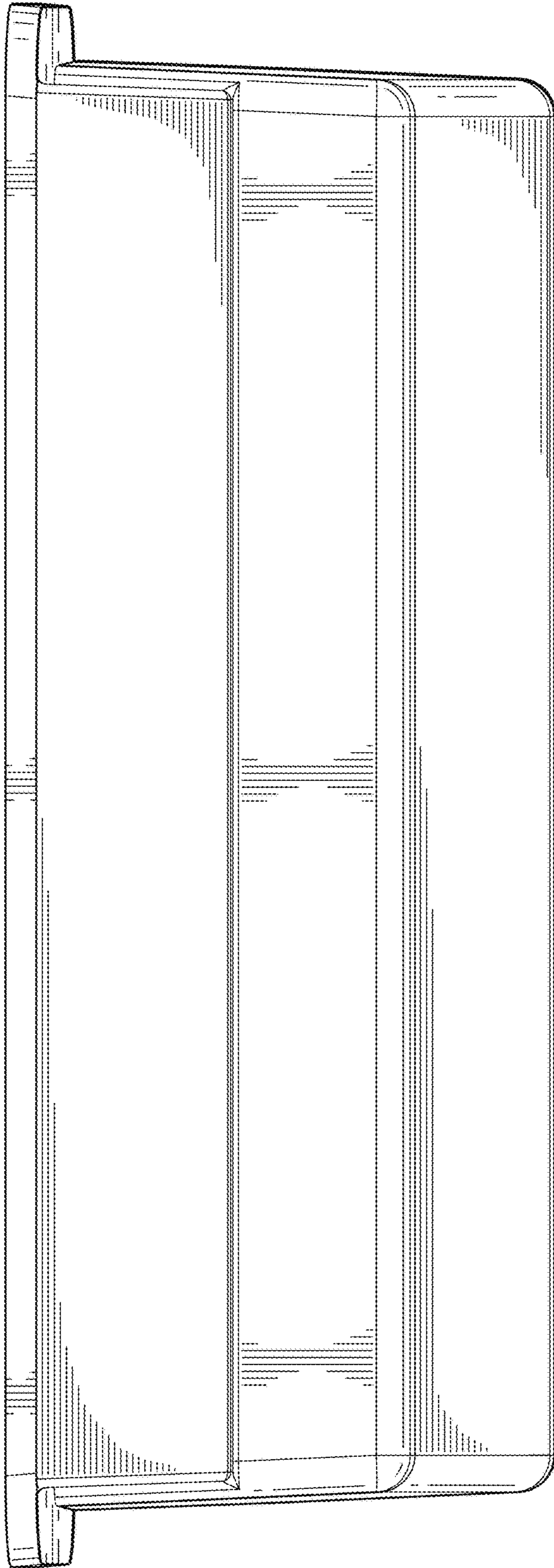


FIG. 3

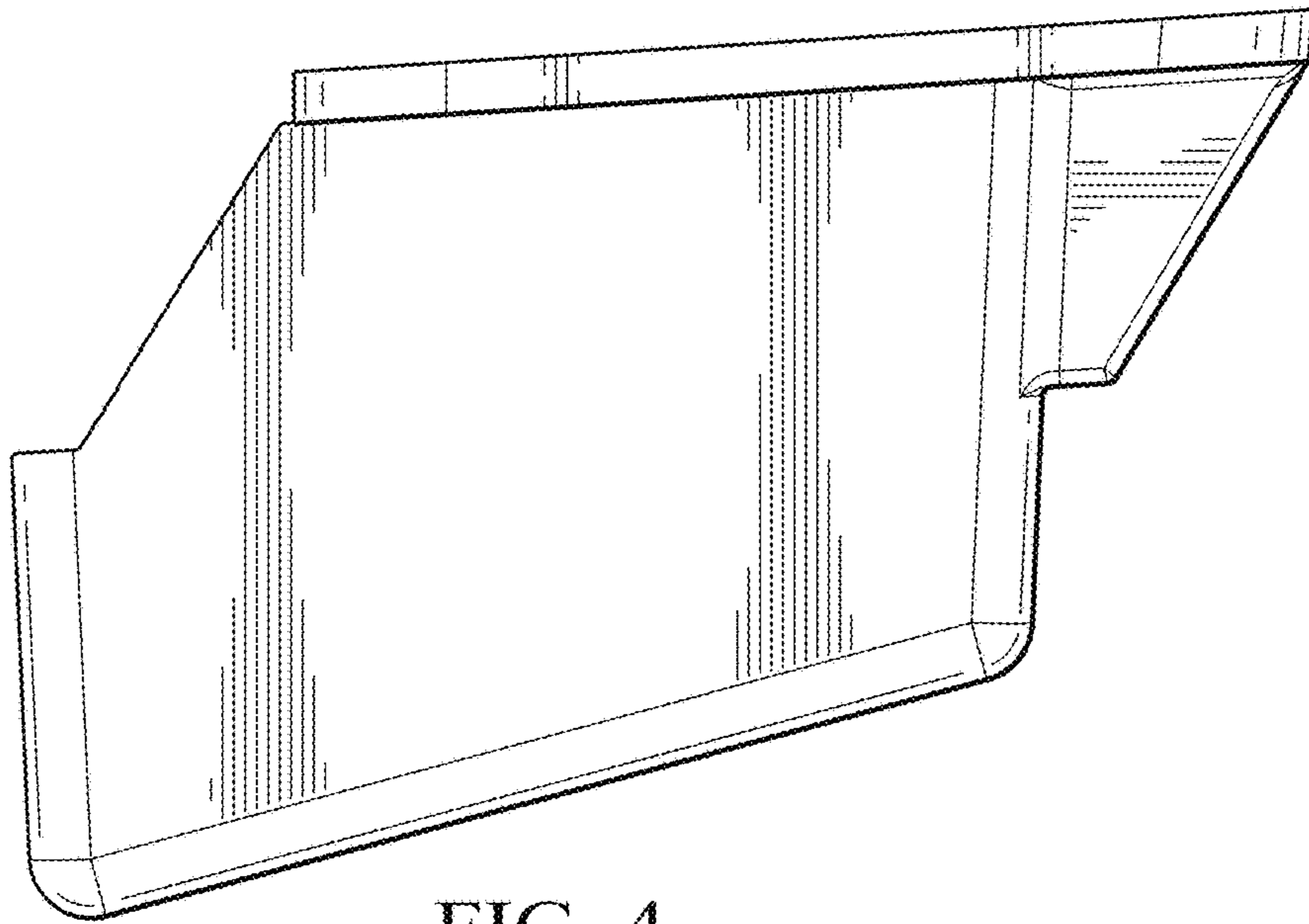


FIG. 4

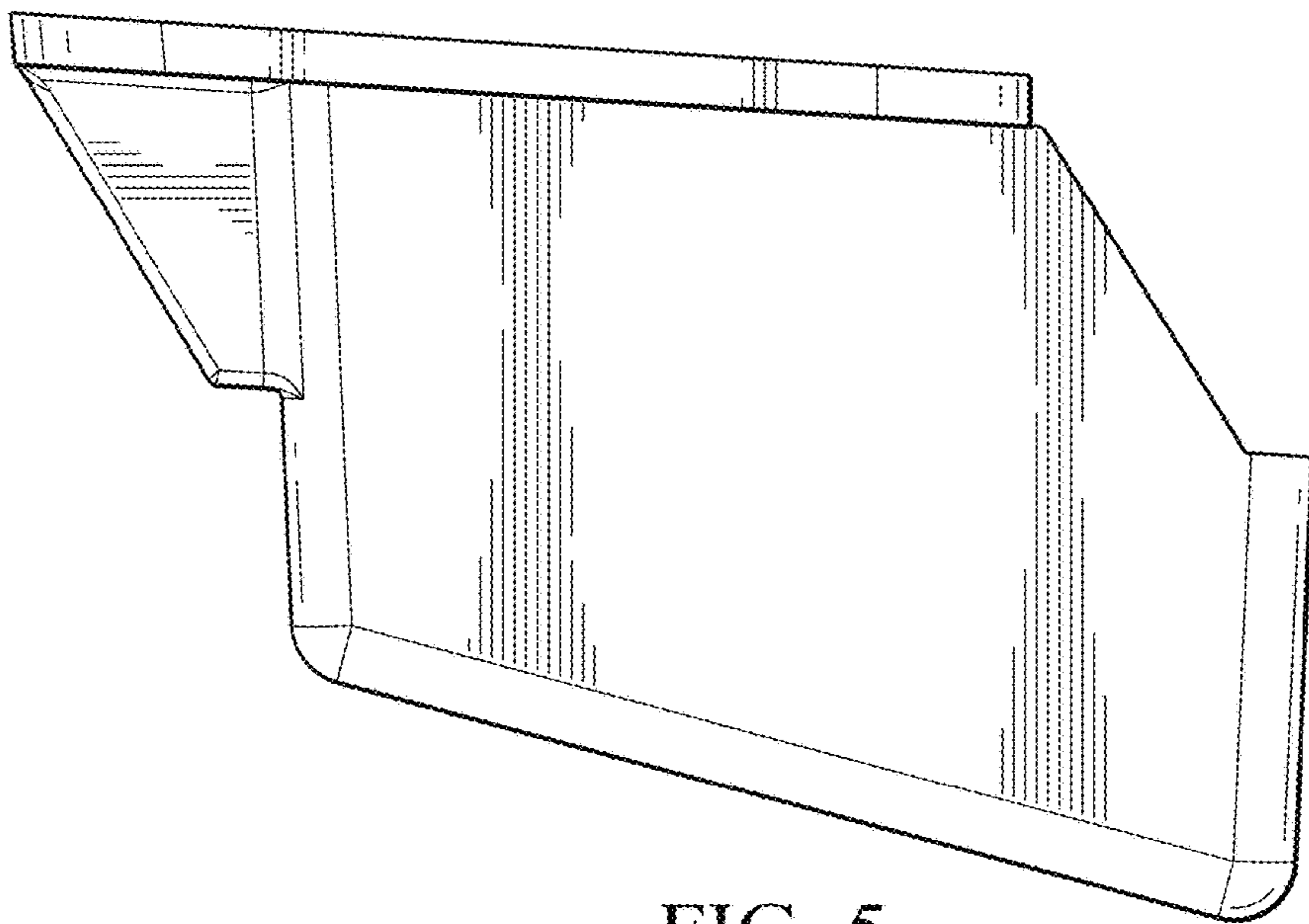


FIG. 5

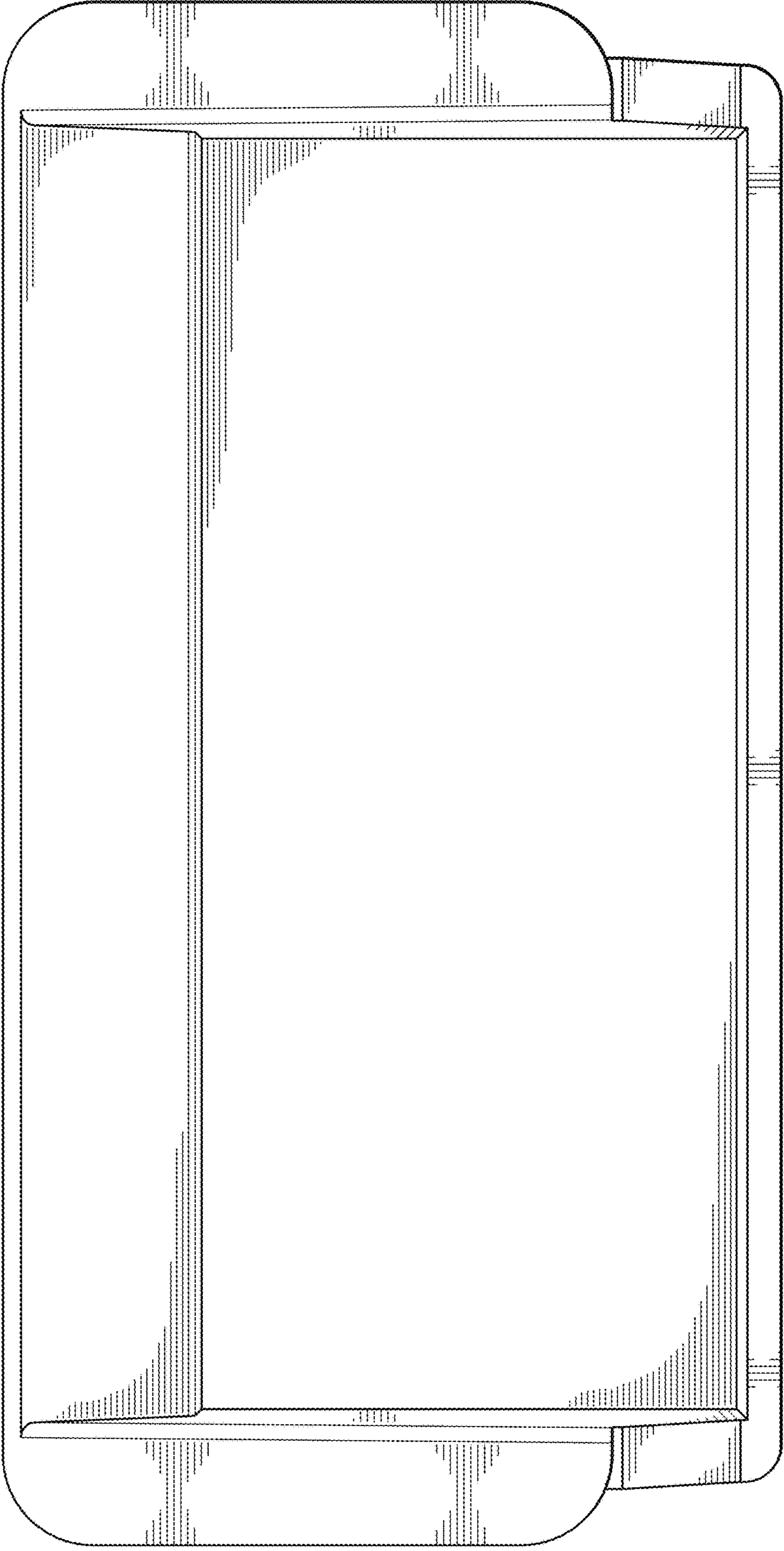


FIG. 6

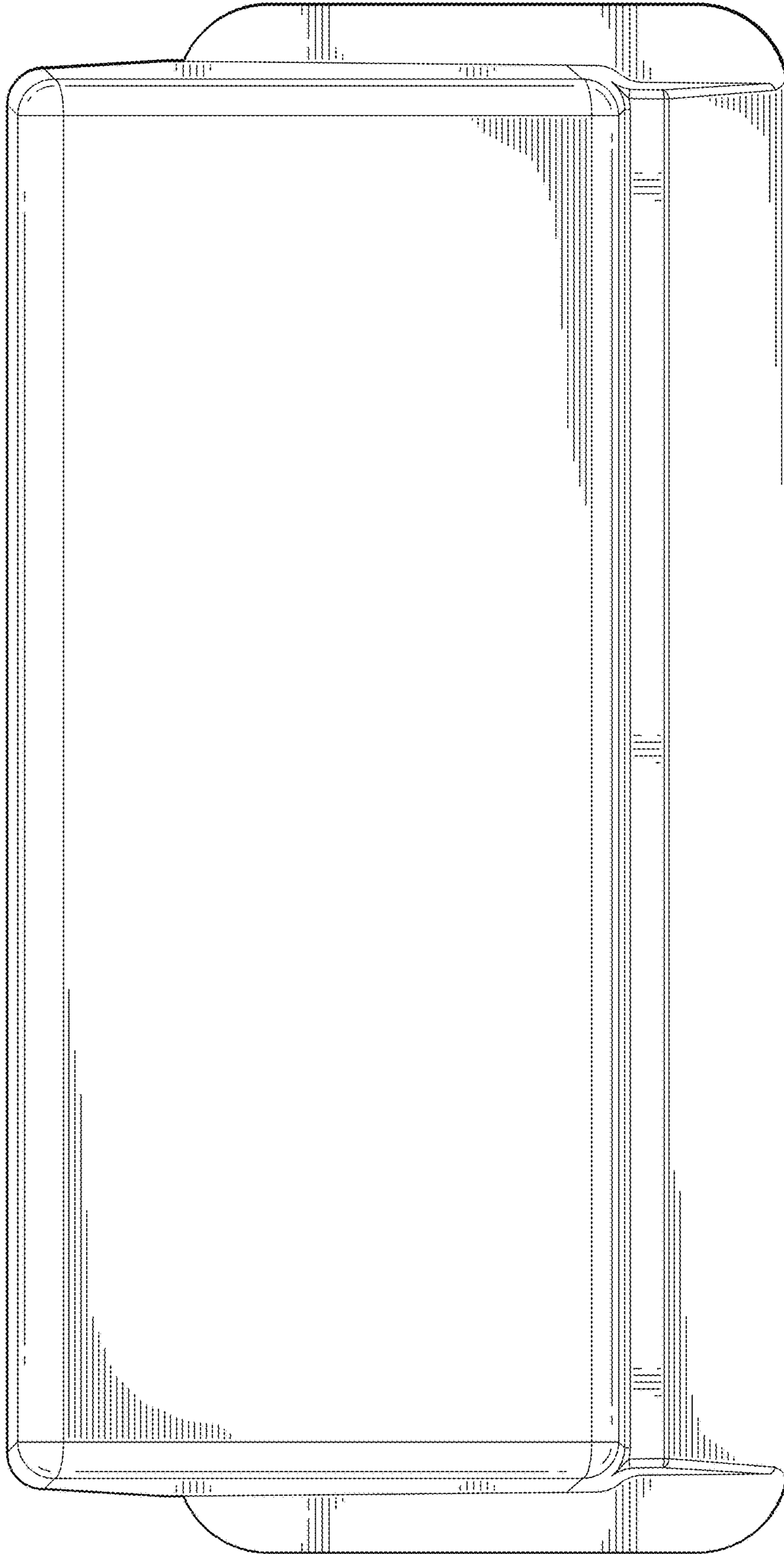


FIG. 7



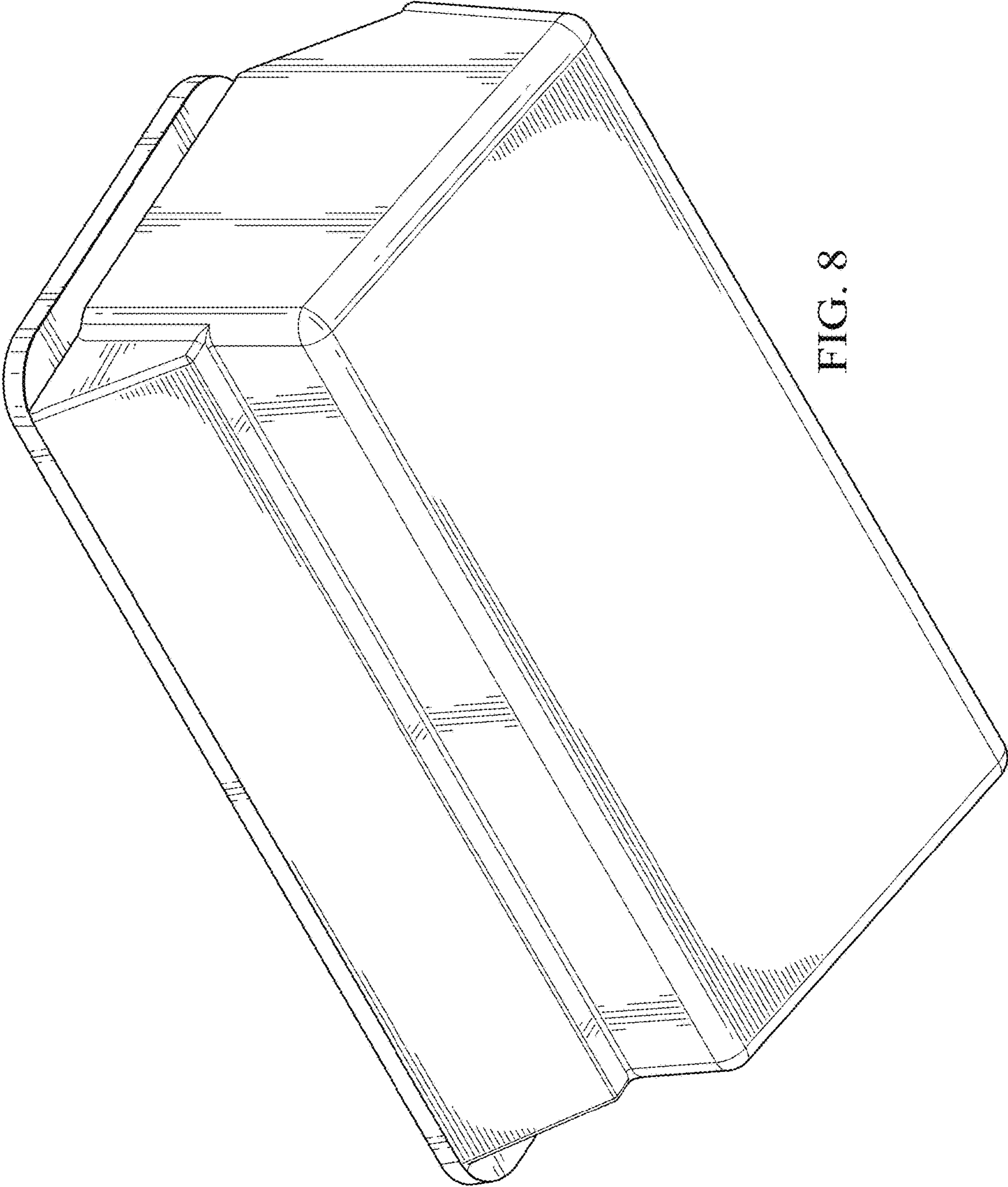


FIG. 8