



US00D860808S

(12) **United States Design Patent** (10) **Patent No.:** **US D860,808 S**
Hagimoto (45) **Date of Patent:** **** Sep. 24, 2019**

(54) **PACKAGING BAG**
(71) Applicant: **ASAHI KASEI PAX CORPORATION**, Tokyo (JP)
(72) Inventor: **Hitoshi Hagimoto**, Tokyo (JP)
(**) Term: **15 Years**
(21) Appl. No.: **35/504,552**

D808,820 S * 1/2018 Totani D9/707
D814,941 S * 4/2018 Conrardy D9/737
D832,114 S * 10/2018 Totani D9/703

FOREIGN PATENT DOCUMENTS

JP H1159696 A 3/1999
JP 2012006637 A 1/2012
JP 3211177 U 6/2017

* cited by examiner

Primary Examiner — Michael A. Pratt

(22) Filed: **Sep. 5, 2017**

(80) **Hague Agreement Data**

Int. Filing Date: **Sep. 5, 2017**
Int. Reg. No.: **DM/097708**
Int. Reg. Date: **Sep. 5, 2017**
Int. Reg. Pub. Date: **Mar. 9, 2018**

(57) **CLAIM**

The ornamental design for a packaging bag, as shown and described.

(51) **LOC (12) Cl.** **09-05**

(52) **U.S. Cl.**
USPC **D9/707**

(58) **Field of Classification Search**
USPC D9/703, 705, 707, 709
CPC B65D 37/00; B65D 5/3621; B65D 63/12;
B65D 75/5822
See application file for complete search history.

DESCRIPTION

- 1. Packaging bag
- 1.1 : Front
- 1.2 : Top
- 1.3 : Right
- 1.4 : Bottom
- 1.5 : Back
- 1.6 : Perspective
- 1.7 : Folding state in use

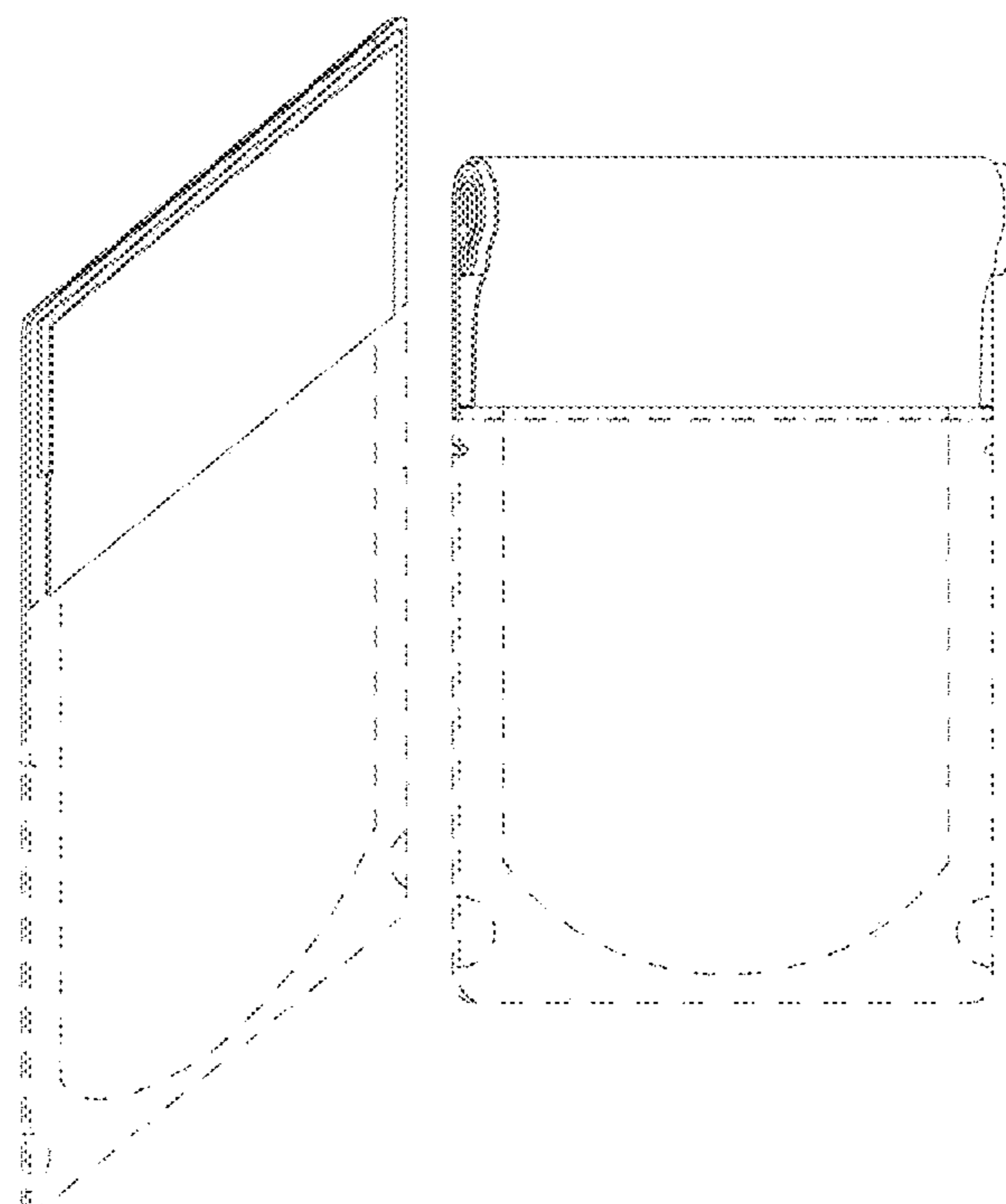
In the reproductions, the broken lines are for illustrative purposes only and form no part of the claimed design; the dot-dashed thin lines in reproductions 1.1 and 1.7 illustrate a boundary between the claimed portion and the unclaimed portion and form no part of the claimed design; the long dash, short space thick lines and the thick solid lines in reproduction 1.1 represent guidelines for folding and are parts of the claimed design; reproduction 1.7 shows a folding state in use of the packaging bag.

(56) **References Cited**

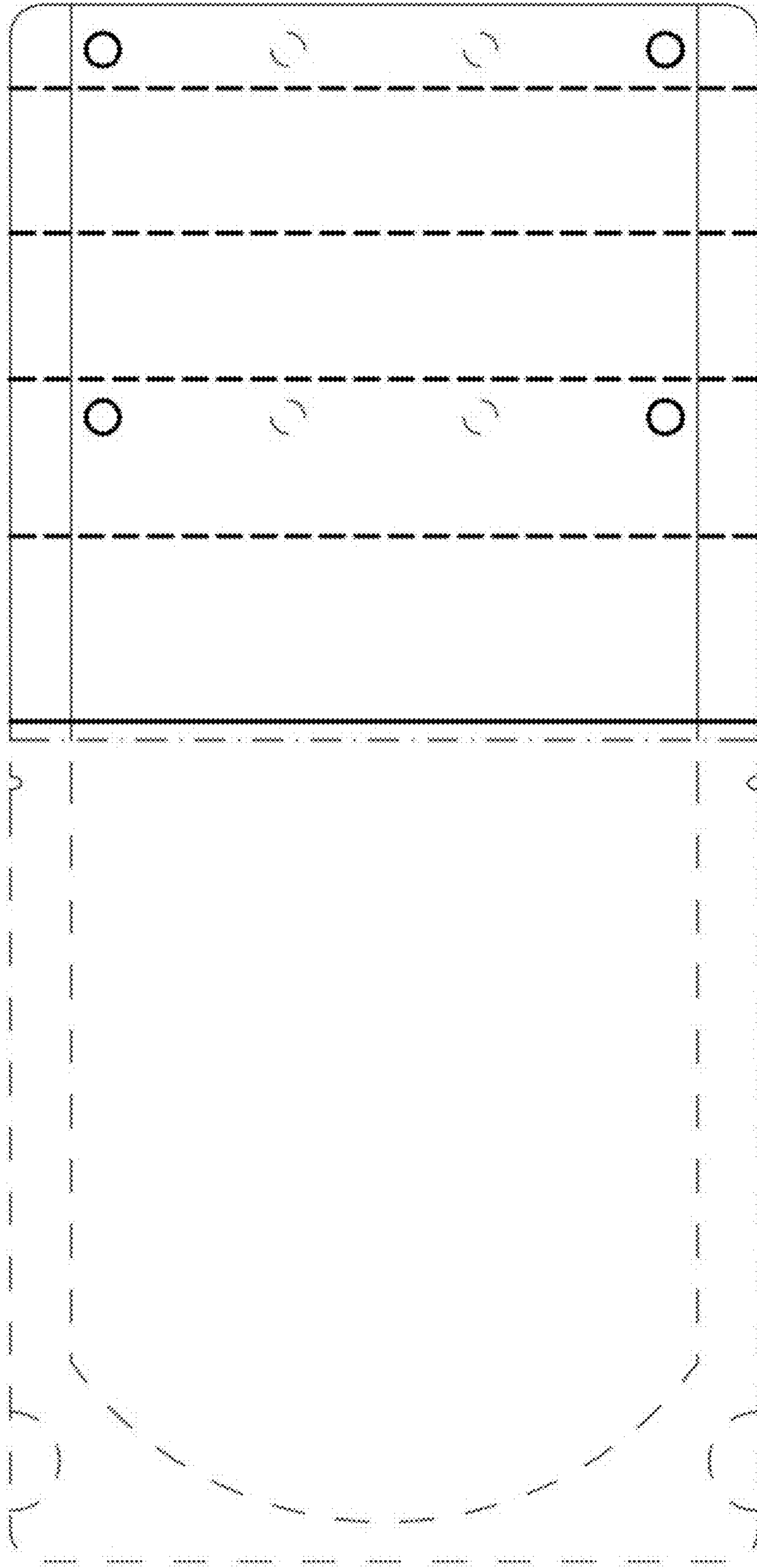
U.S. PATENT DOCUMENTS

D344,015 S * 2/1994 Jacobson D3/227
D344,016 S * 2/1994 Jacobson D9/709
D764,941 S * 8/2016 Balganon Canela D9/705
D784,521 S * 4/2017 Nordquist D24/118

1 Claim, 7 Drawing Sheets



1.1



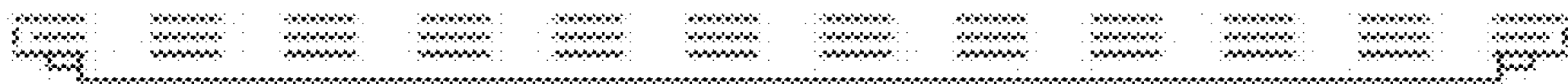
1.2



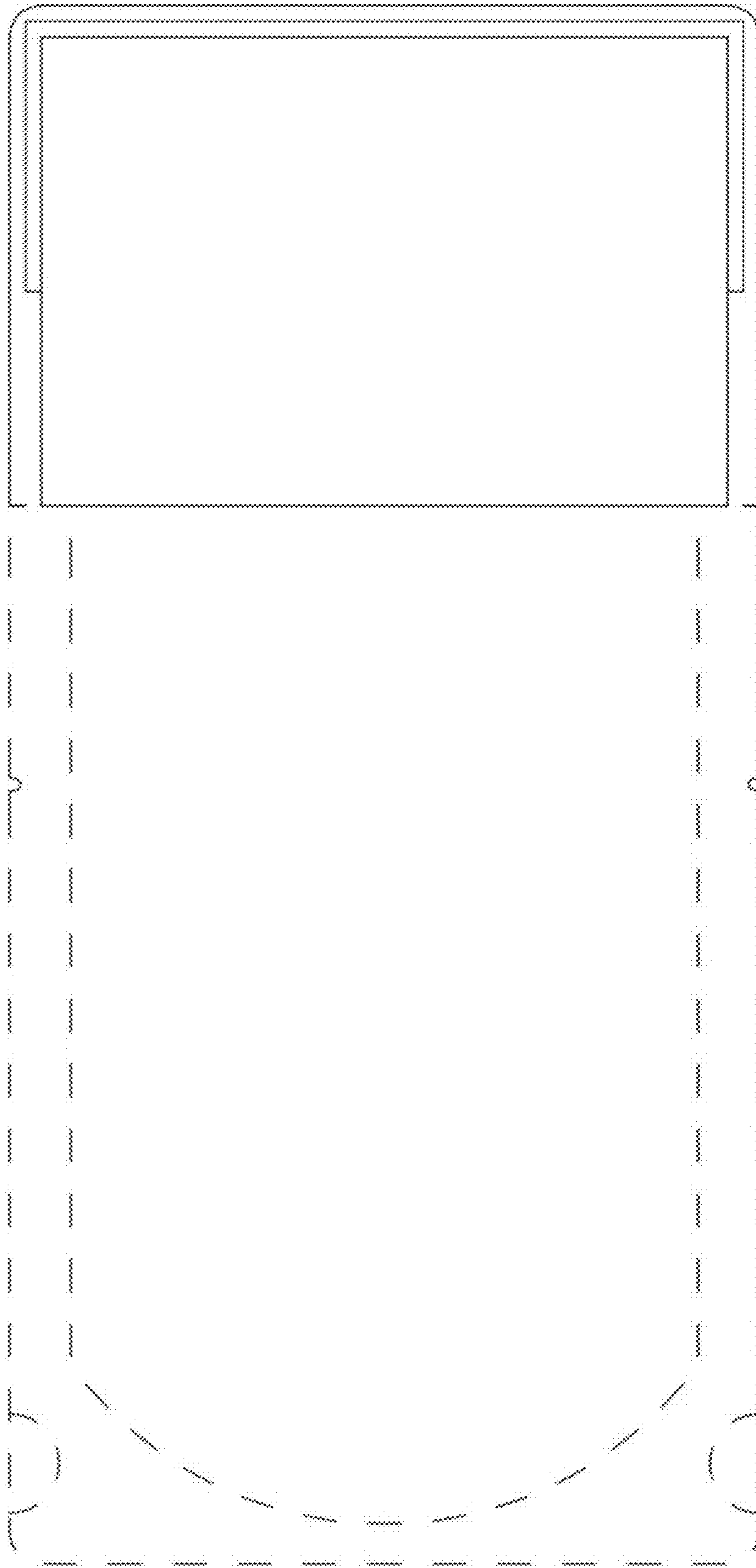
1.



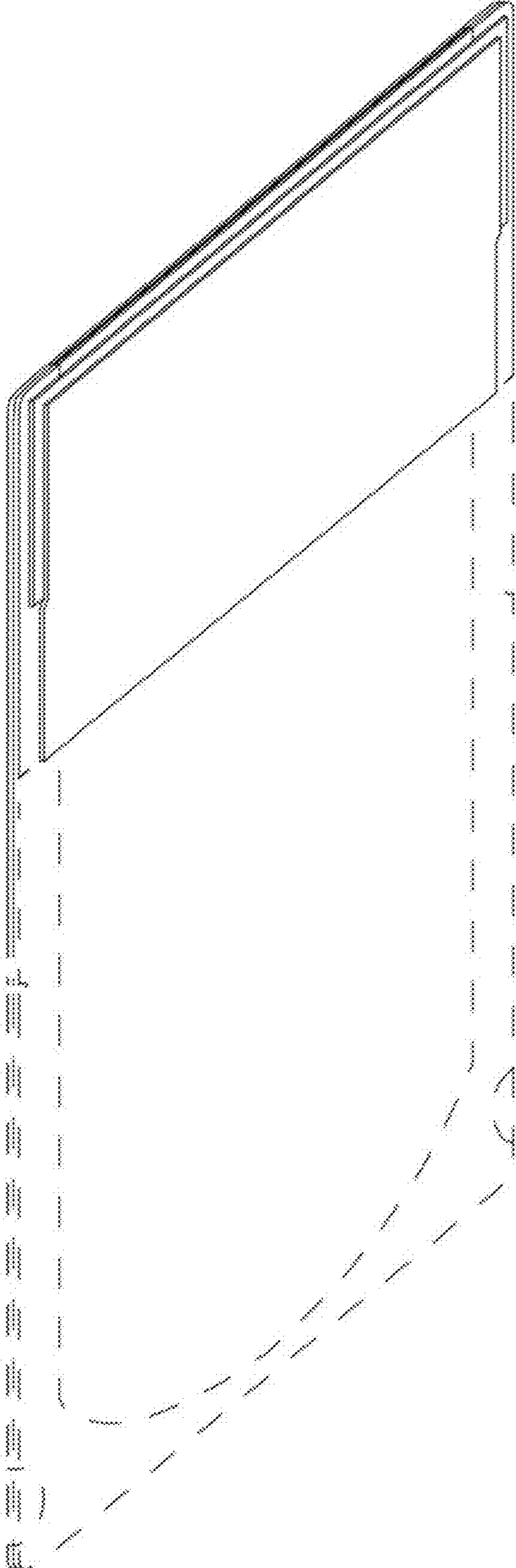
1.4



1.5



1.6



1.7

