



US00D860806S

(12) **United States Design Patent** (10) **Patent No.:** **US D860,806 S**
Phillips et al. (45) **Date of Patent:** **** *Sep. 24, 2019**

(54) **CONTAINER**

(71) Applicant: **The Gillette Company LLC**, Boston, MA (US)

(72) Inventors: **Amy Dawson Phillips**, Cincinnati, OH (US); **Daniel Jerome Sims**, Lake Forest, CA (US)

(73) Assignee: **The Gillette Company LLC**, Boston, MA (US)

(*) Notice: This patent is subject to a terminal disclaimer.

(**) Term: **15 Years**

(21) Appl. No.: **29/647,310**

(22) Filed: **May 11, 2018**

Related U.S. Application Data

(62) Division of application No. 29/536,586, filed on Aug. 18, 2015, now Pat. No. Des. 820,091.

(51) **LOC (12) Cl.** **09-01**

(52) **U.S. Cl.**
USPC **D9/690; D9/448; D9/503**

(58) **Field of Classification Search**
USPC D9/434-435, 444-445, 447-448, 454, D9/500, 502-504, 516, 530, 537, 539, D9/550, 558, 682, 686, 688, 690, 715, D9/719, 772, 776; D7/509-511, 608; D3/202; D24/197

CPC B65D 1/00; B65D 1/02; B65D 1/0223; B65D 23/00; B65D 81/00; B65D 2501/00; B65D 2501/0009

See application file for complete search history.

(56) **References Cited**

U.S. PATENT DOCUMENTS

D87,287 S 6/1932 Clark
D130,605 S 12/1941 Steuer

D202,003 S 8/1965 Douglas
D212,322 S 10/1968 Koenigsberg
D379,433 S * 5/1997 Croft D9/445
D398,236 S 9/1998 Huang
D412,087 S 7/1999 Spencer
6,119,888 A 9/2000 Goto et al.
D441,618 S * 5/2001 Yip D7/679
D456,265 S 4/2002 Spear
6,401,964 B1 6/2002 Goto et al.
D462,009 S * 8/2002 Poisson D9/448
D470,770 S 2/2003 Machado et al.
D473,469 S 4/2003 Claessen
D540,625 S 4/2007 Sandberg
D555,507 S * 11/2007 Presche D9/690
D556,576 S 12/2007 Webb
D605,517 S 12/2009 Caldwell
D630,062 S 1/2011 Carreno
D636,683 S * 4/2011 Floyd D9/688
D650,671 S * 12/2011 Althaus D9/447

(Continued)

Primary Examiner — Dana Meyrow

(74) *Attorney, Agent, or Firm* — Ronald Terk Sia; Kevin C. Johnson

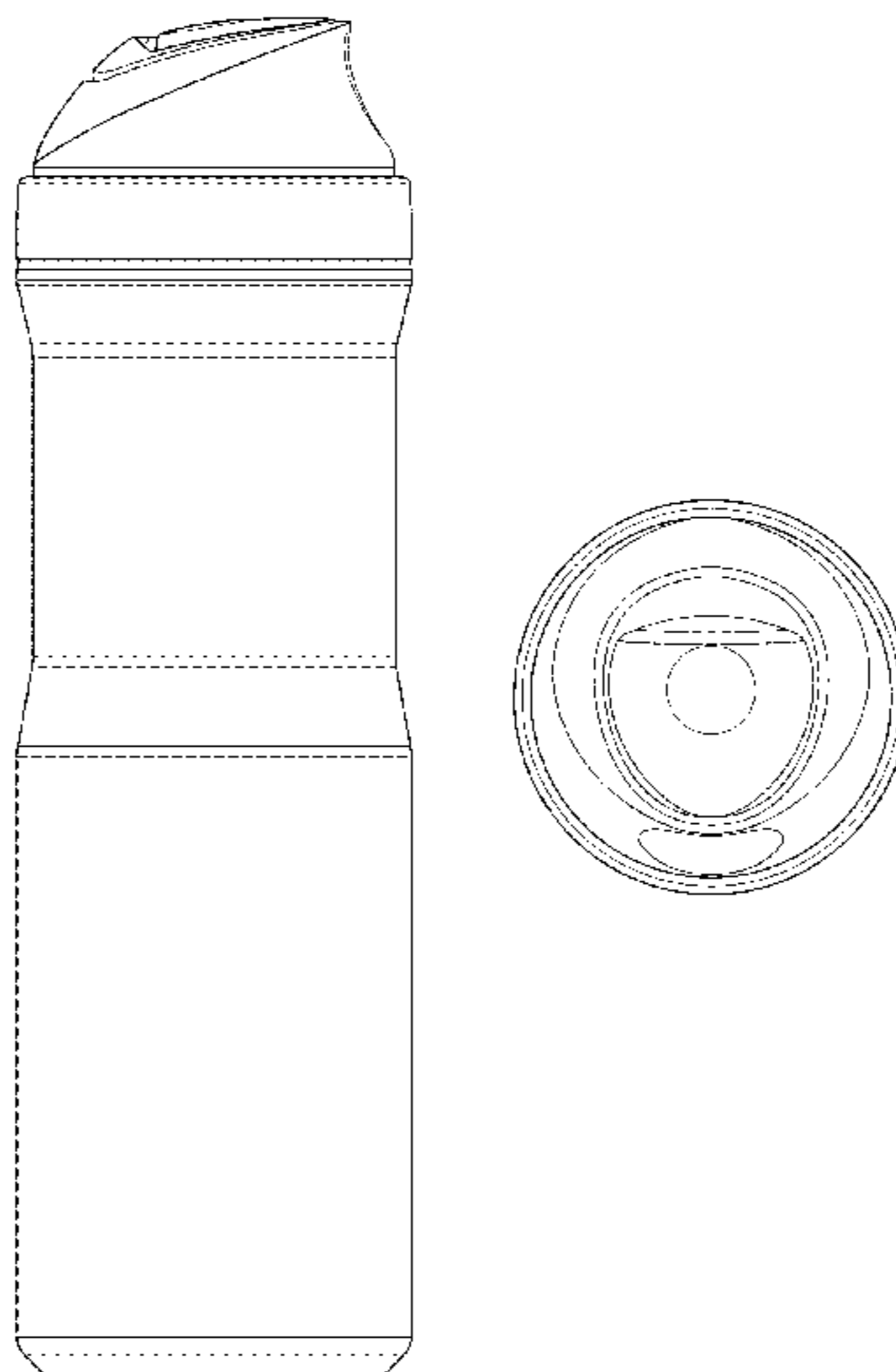
(57) **CLAIM**

The ornamental design for a container, as shown and described.

DESCRIPTION

FIG. 1 is a perspective view of a container showing the new design;
FIG. 2 is a front view thereof;
FIG. 3 is a back view thereof;
FIG. 4 is a right view thereof;
FIG. 5 is a left view thereof;
FIG. 6 is a top view thereof; and,
FIG. 7 is a bottom view thereof.
The broken lines in the drawings illustrate the portions of the container that form no part of the claim.

1 Claim, 4 Drawing Sheets



(56)

References Cited

U.S. PATENT DOCUMENTS

D663,199 S *	7/2012	Althaus	D9/445
D677,570 S	3/2013	Cueto	
D687,301 S	8/2013	Topinka et al.	
D697,412 S *	1/2014	Jenkins	D9/445
D697,413 S	1/2014	Jenkins	
D698,650 S	2/2014	Marchant et al.	
D709,370 S *	7/2014	Van Hoof	D9/445
D721,965 S *	2/2015	Lindstrom	D9/500
D728,376 S *	5/2015	Floyd	D9/692
D749,951 S *	2/2016	Sims	D9/690
D756,787 S *	5/2016	Marchant	D9/503
D756,788 S *	5/2016	Marchant	D9/503
D798,715 S *	10/2017	Sims	D9/448
D812,485 S *	3/2018	Tempfli	D9/690
D820,091 S *	6/2018	Phillips	D9/503
D827,377 S *	9/2018	Silsby	D7/510

* cited by examiner

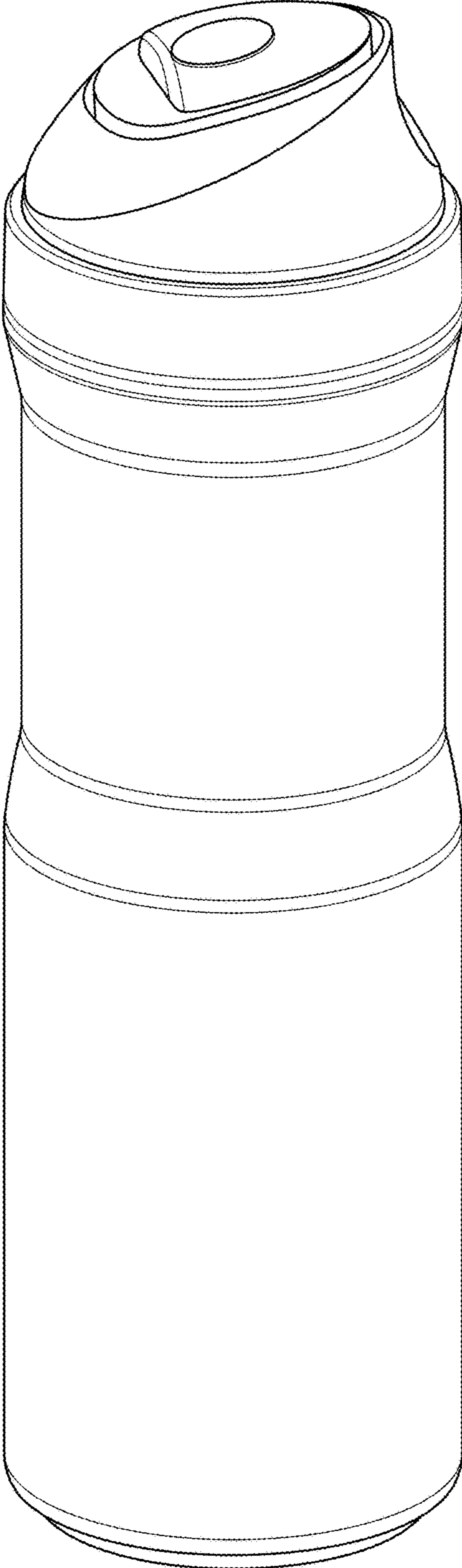


FIG. 1

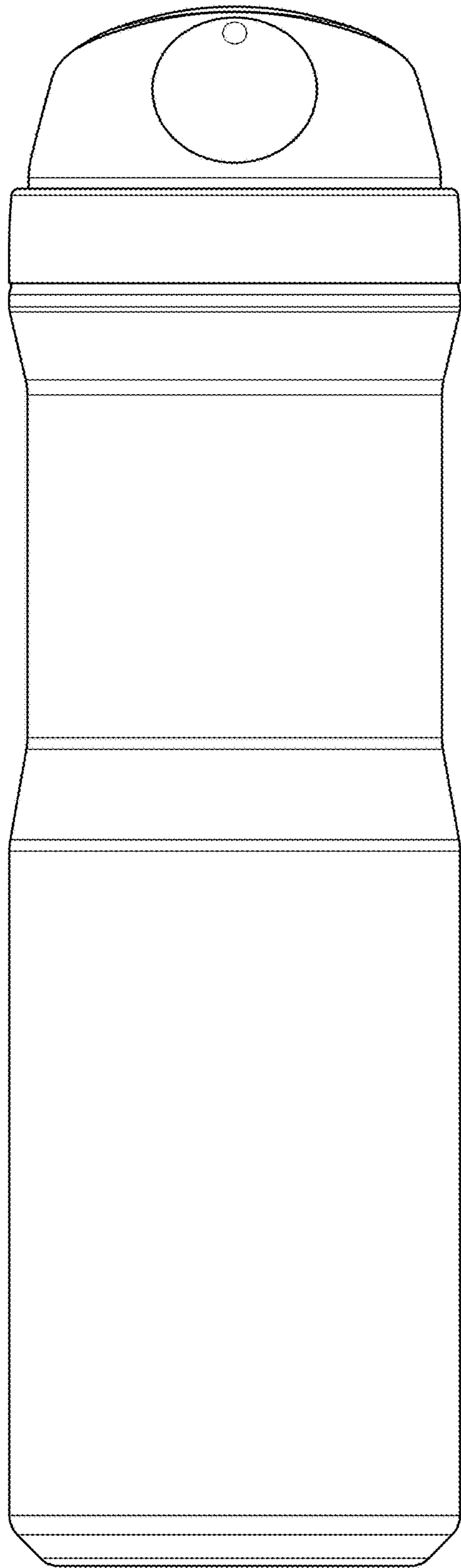


FIG. 2

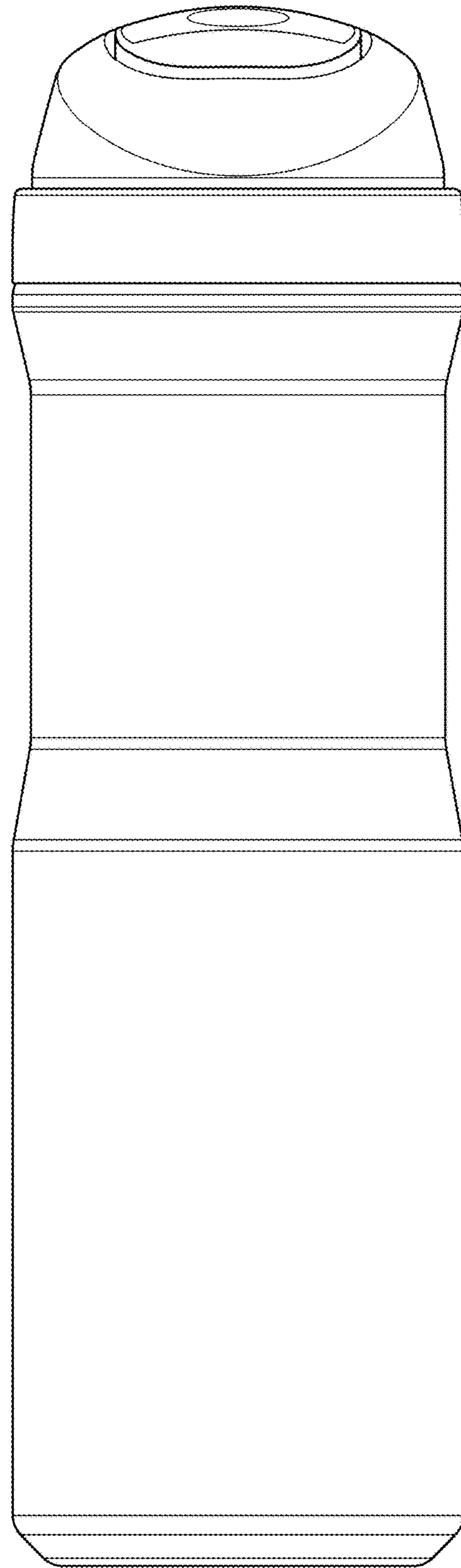


FIG. 3

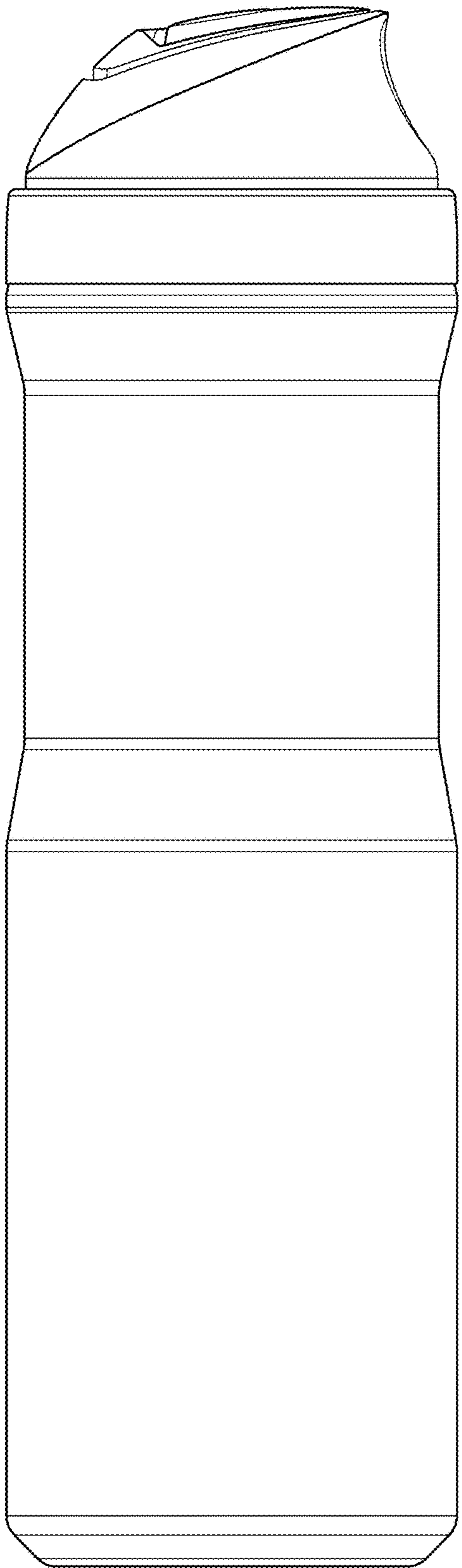


FIG. 4

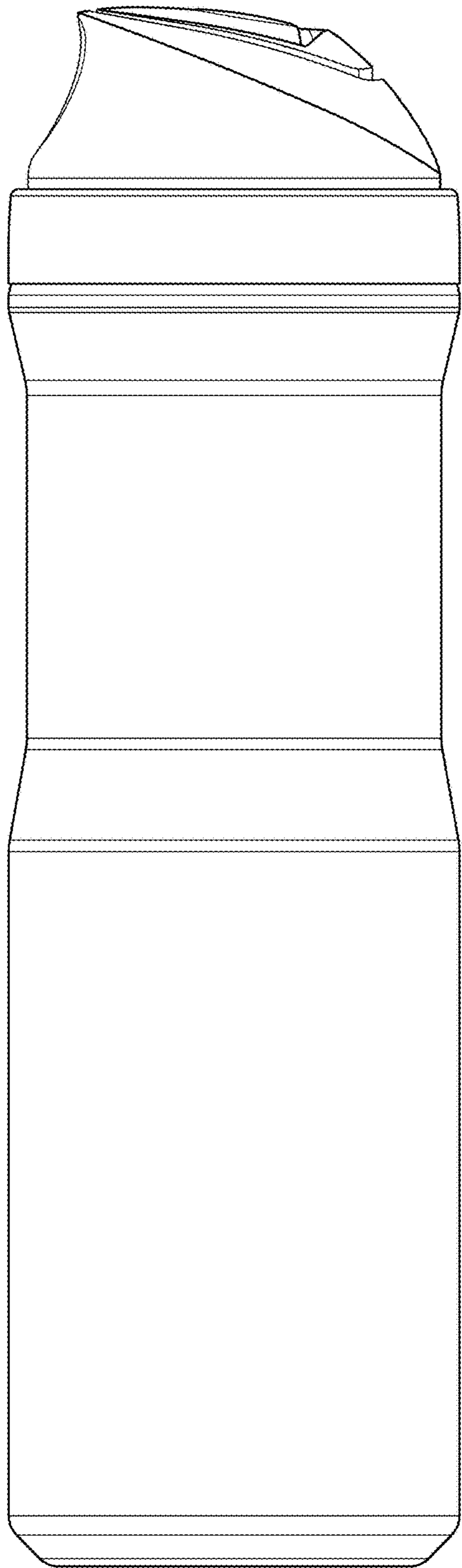


FIG. 5

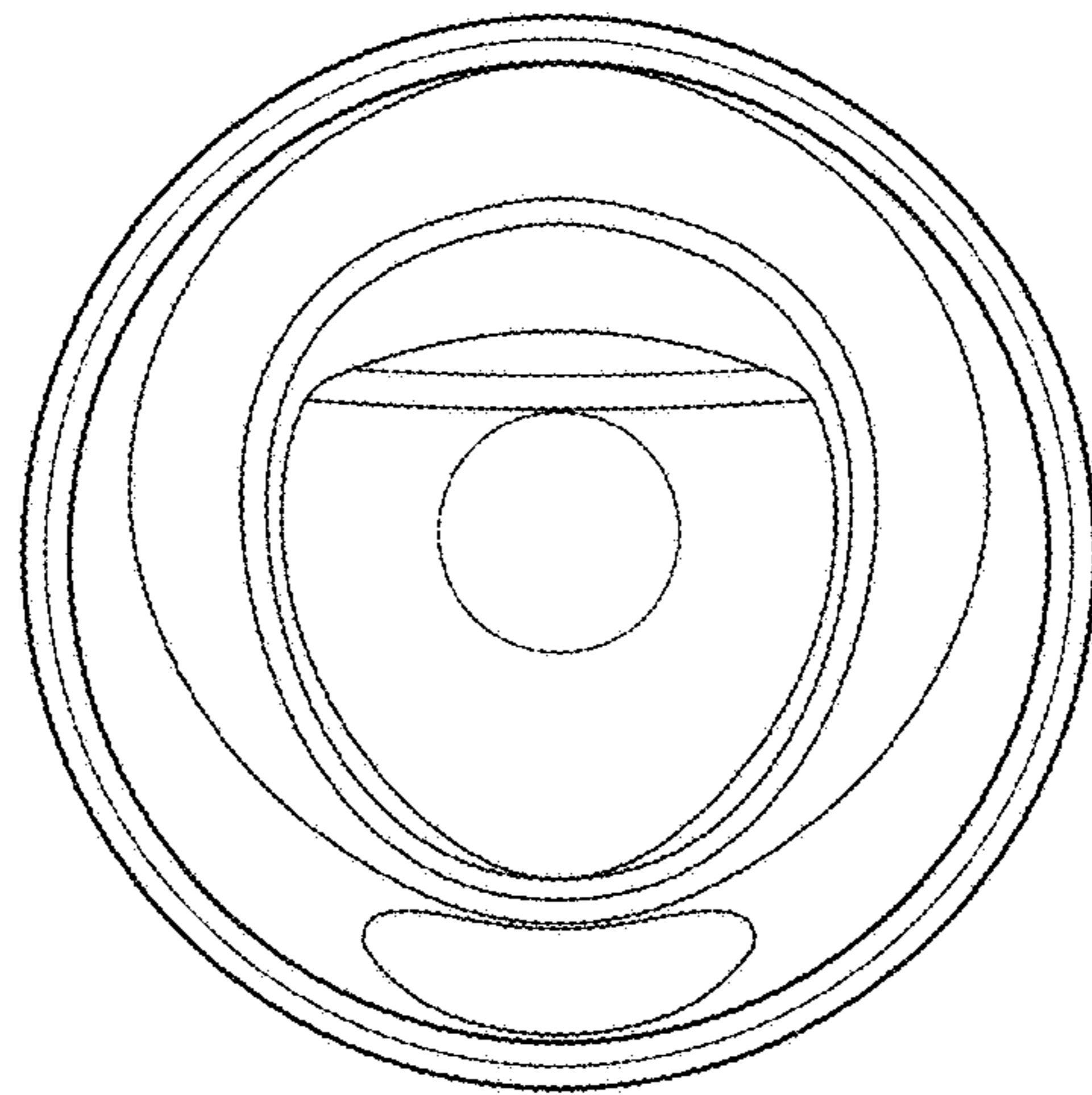


FIG. 6

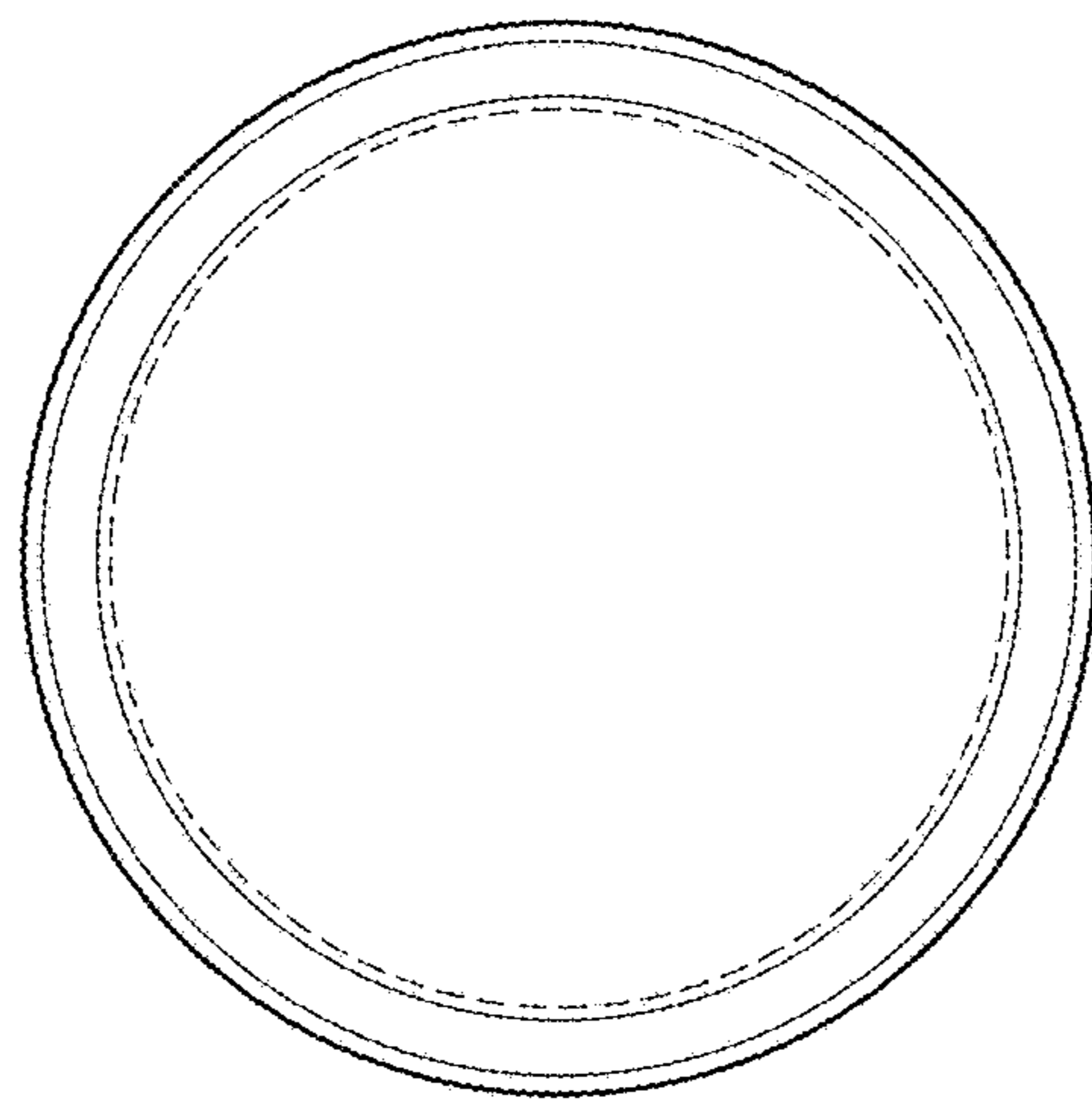


FIG. 7