

US00D860802S

(12) **United States Design Patent**
Lee

(10) **Patent No.: US D860,802 S**
(45) **Date of Patent: ** Sep. 24, 2019**

(54) **CONTAINER**

DESCRIPTION

- (71) Applicant: **Owens-Brockway Glass Container Inc.**, Perrysburg, OH (US)
- (72) Inventor: **Young Lee**, Perrysburg, OH (US)
- (73) Assignee: **Owens-Brockway Glass Container Inc.**, Perrysburg, OH (US)
- (**) Term: **15 Years**
- (21) Appl. No.: **29/583,397**
- (22) Filed: **Nov. 4, 2016**
- (51) **LOC (12) Cl.** **09-01**
- (52) **U.S. Cl.**
USPC **D9/560**
- (58) **Field of Classification Search**
USPC D9/434-435, 439, 447, 449, 450, 452,
D9/454, 516, 520, 522-524, 528-531,
(Continued)

(56) **References Cited**

U.S. PATENT DOCUMENTS

- D103,080 S 2/1937 McIntosh
- D192,709 S 5/1962 HeIntze
- (Continued)

FOREIGN PATENT DOCUMENTS

- CN 201230416997 * 8/2012

OTHER PUBLICATIONS

Super Tall Square Elegant Clear Glass Bottle. Online, published date Jul. 8, 2017. Retrieved on Sep. 6, 2017 from URL: <https://www.youtube.com/watch?v=Fjpi56fwVRc>.*

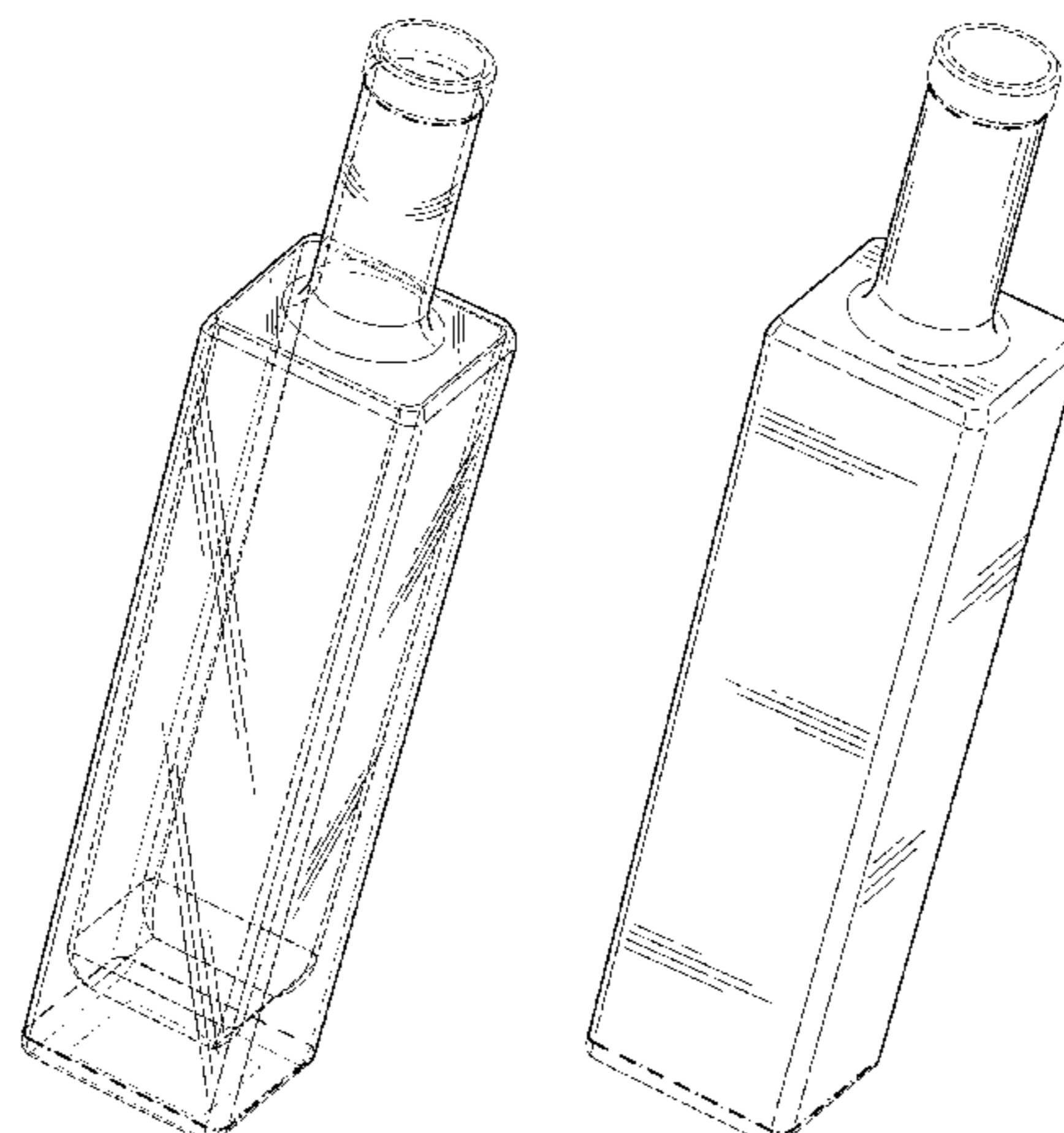
Primary Examiner — Susan Bennett Hattan
Assistant Examiner — Omeed Agilee

(57) **CLAIM**

The ornamental design for a container, as shown and described.

FIG. 1 is a perspective view of a container in accordance with a first embodiment of my new claimed design.
 FIG. 2 is a side view of the container of FIG. 1.
 FIG. 3 is an enlarged scale top view of the container of FIG. 1.
 FIG. 4 is an enlarged scale bottom view of the container of FIG. 1.
 FIG. 5 is a perspective view of a container in accordance with a second embodiment of my new claimed design.
 FIG. 6 is a side view of the container of FIG. 5.
 FIG. 7 is an enlarged scale top view of the container of FIG. 5.
 FIG. 8 is an enlarged scale bottom view of the container of FIG. 5.
 FIG. 9 is a perspective view of a container in accordance with a third embodiment of my new claimed design.
 FIG. 10 is a side view of the container of FIG. 9.
 FIG. 11 is an enlarged scale top view of the container of FIG. 9.
 FIG. 12 is an enlarged scale bottom view of the container of FIG. 9.
 FIG. 13 is a perspective view of a container in accordance with a fourth embodiment of my new claimed design.
 FIG. 14 is a side view of the container of FIG. 13.
 FIG. 15 is an enlarged scale top view of the container of FIG. 13; and,
 FIG. 16 is an enlarged scale bottom view of the container of FIG. 13.
 Dash-dash-dash broken lines shown in the drawings represent environmental structure and are not part of the claimed design.
 Dash-dot-dash broken lines shown in the drawings represent boundaries of the claimed design and are not part of the claimed design.
 Shading lines shown in the drawings represent surface character and/or contour, and such lines are not part of the claimed design.

1 Claim, 8 Drawing Sheets



US D860,802 S

(58) **Field of Classification Search**
 USPC D9/541-544, 549-551, 558-560, 563,
 D9/565-566, 571-575, 682, 686, 687,
 D9/693-694, 715, 719; D7/300, 300.1,
 D7/316, 317, 598; D23/211, 225
 CPC ... B65D 1/00; B65D 1/02; B65D 1/12; B65D
 1/18; B65D 1/20; B65D 1/0223; B65D
 23/00; B65D 21/0237; B65D 2501/0009;
 B65D 2501/0081
 See application file for complete search history.

(56) **References Cited**
 U.S. PATENT DOCUMENTS

D339,517 S 9/1993 Jobit
 D356,038 S 3/1995 Biesecker
 D376,762 S 12/1996 Fenton et al.
 D387,283 S 12/1997 Sgariboldi
 D414,427 S 9/1999 Maddy
 D423,370 S 4/2000 Lewin
 D431,779 S 10/2000 Nosella
 D484,419 S 12/2003 Potocki et al.
 D486,072 S 2/2004 Potocki et al.
 D509,433 S 9/2005 Trayser et al.
 D526,197 S 8/2006 Lauret
 D526,206 S * 8/2006 Varlet D9/560
 D526,568 S 8/2006 Bakic
 D530,207 S 10/2006 Brandt et al.
 D536,976 S 2/2007 Ciulla et al.
 D548,606 S 8/2007 Rica
 D550,080 S 9/2007 Rica
 D551,082 S 9/2007 Kakhniadze et al.
 D551,552 S 9/2007 Rica
 D554,518 S 11/2007 Cornet et al.
 D555,501 S 11/2007 Del Bon
 D556,577 S 12/2007 Didier
 D559,696 S 1/2008 Didier
 D559,697 S 1/2008 Didier
 D559,698 S 1/2008 Rica
 D561,026 S 2/2008 Rica
 D561,039 S 2/2008 Del Bon
 D567,100 S 4/2008 Liden et al.
 D567,664 S 4/2008 Rica
 D579,785 S 11/2008 Rica
 D580,771 S 11/2008 Rica
 D580,773 S 11/2008 Rica
 D581,800 S 12/2008 Rica
 D584,631 S 1/2009 Van Well
 D584,946 S 1/2009 Rica
 D584,953 S 1/2009 Rica
 D586,659 S * 2/2009 Delbon D9/544
 D589,355 S 3/2009 Rica
 D589,356 S 3/2009 Rica
 D589,813 S 4/2009 Rica
 D590,718 S 4/2009 Rica
 D591,596 S 5/2009 Rica
 D591,597 S 5/2009 Rica
 D592,061 S 5/2009 Rica
 D595,134 S 6/2009 Rica
 D595,141 S 6/2009 Rica
 D596,491 S 7/2009 Rica
 D596,943 S 7/2009 Baker
 D601,023 S 9/2009 Rica
 D601,024 S 9/2009 Rica
 D601,025 S 9/2009 Rica
 D601,033 S 9/2009 Rica
 D601,424 S 10/2009 Rica
 D601,428 S 10/2009 Rica
 D602,368 S 10/2009 Rica
 D612,242 S 3/2010 Rica
 D612,258 S 3/2010 Rica
 D612,739 S 3/2010 Delbon
 D619,900 S 7/2010 Rica
 D622,601 S 8/2010 Potts

D622,602 S 8/2010 Potts
 D622,603 S 8/2010 Potts
 D622,608 S * 8/2010 Sansevero D9/544
 D626,423 S 11/2010 Lauret
 D626,842 S 11/2010 Rica
 D628,491 S 12/2010 Thalmann
 D629,697 S 12/2010 Laurent
 D630,100 S 1/2011 Wanet
 D635,856 S 4/2011 Lauret
 D635,857 S 4/2011 Lauret
 D636,677 S 4/2011 Diez et al.
 D637,082 S 5/2011 Delbon
 D637,083 S 5/2011 Delbon
 D652,301 S 1/2012 Pelkey
 D652,720 S 1/2012 Pelkey
 D652,721 S 1/2012 Pelkey
 D655,177 S 3/2012 Gonzalez Rodriguez
 D655,178 S 3/2012 Gonzalez Rodriguez
 D655,612 S 3/2012 Oge-Nichols
 D656,404 S 3/2012 Thompson
 D659,538 S 5/2012 Lecetre et al.
 D660,154 S 5/2012 Franco
 D666,102 S 8/2012 Mandell et al.
 D668,955 S 10/2012 Zuchetta
 D670,176 S 11/2012 Monteparo et al.
 D670,177 S 11/2012 Lario Rivas
 D672,250 S 12/2012 Austin et al.
 D673,859 S 1/2013 Austin et al.
 D673,860 S 1/2013 Santa Cruz
 D677,569 S 3/2013 Lemaltre
 D679,602 S 4/2013 Gonzalez Rodriguez
 D681,472 S 5/2013 Klebeck
 D682,111 S 5/2013 Polini et al.
 D682,704 S 5/2013 Reynolds
 D682,705 S 5/2013 Reynolds
 D683,228 S 5/2013 Gonzalez Rodriguez
 D683,627 S 6/2013 Rodriguez
 D687,302 S 8/2013 Reynolds
 D687,307 S 8/2013 Lauret
 D687,308 S 8/2013 Lauret
 D687,311 S 8/2013 Austin et al.
 D688,132 S 8/2013 Reynolds
 D688,133 S 8/2013 Reynolds
 D688,948 S 9/2013 Gonzalez Rodriguez
 D693,227 S 11/2013 Gonzalez Rodriguez
 D694,120 S * 11/2013 Baussan D9/560
 D698,256 S 1/2014 Thompson
 D698,257 S * 1/2014 Gonzalez Rodriguez D9/574
 D701,768 S 4/2014 Baker
 D702,129 S 4/2014 Shaw
 D704,060 S 5/2014 Maillet et al.
 D706,137 S 6/2014 Gonzalez Rodriguez
 D709,380 S 7/2014 Letamendi
 D709,771 S 7/2014 Letamendi
 D713,250 S 9/2014 Perez-Cabrera
 D713,257 S 9/2014 Del Bon
 D713,730 S 9/2014 Perez-Cabrera
 D714,156 S * 9/2014 Lauret D9/560
 D714,652 S 10/2014 Shaw et al.
 D716,659 S 11/2014 Thompson
 D717,658 S 11/2014 Fadelli
 D719,030 S 12/2014 Perez-Cabrera
 D719,455 S 12/2014 Perez-Cabrera
 D719,457 S 12/2014 Perez-Cabrera
 D723,372 S 3/2015 Lecetre et al.
 D724,952 S 3/2015 Humm
 D727,162 S 4/2015 Gaydon
 D730,191 S 5/2015 Hardy
 D737,146 S 8/2015 Kramer
 D738,738 S 9/2015 Helfrich
 D742,751 S 11/2015 Letamendi
 D745,409 S 12/2015 Lecetre et al.
 D746,694 S 1/2016 Letamendi
 D750,496 S 3/2016 Cutler
 D756,795 S 5/2016 Maillet et al.
 D779,335 S * 2/2017 Chia D9/560

* cited by examiner

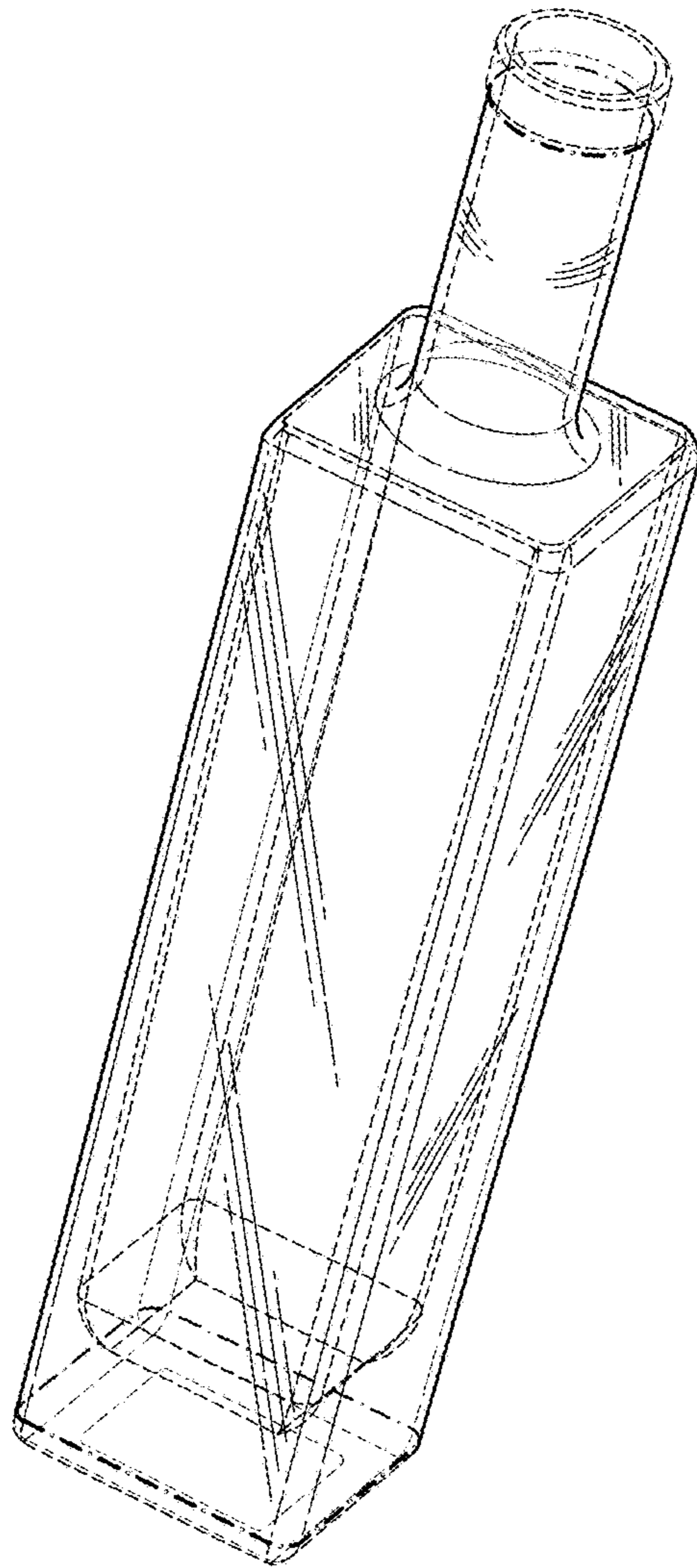


FIG. 1

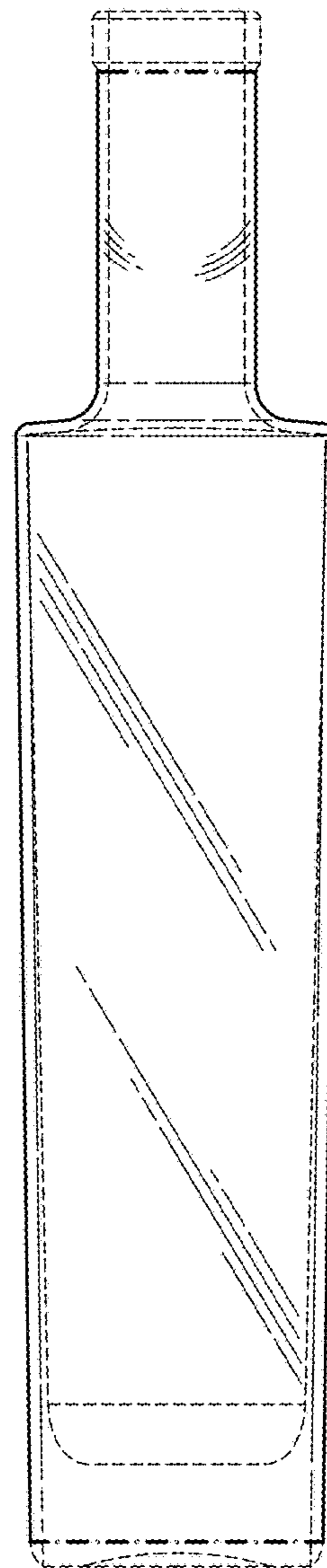


FIG. 2

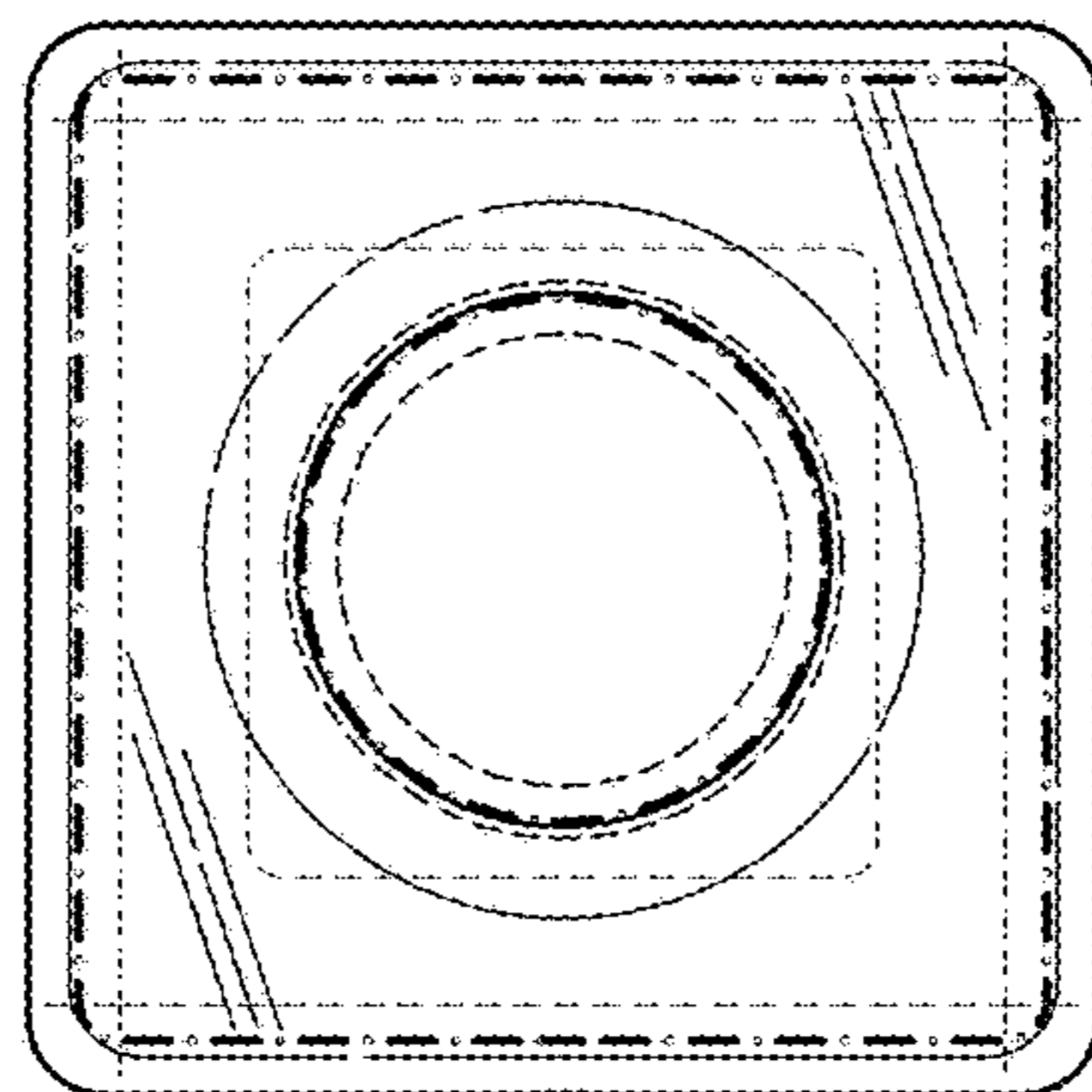


FIG. 3

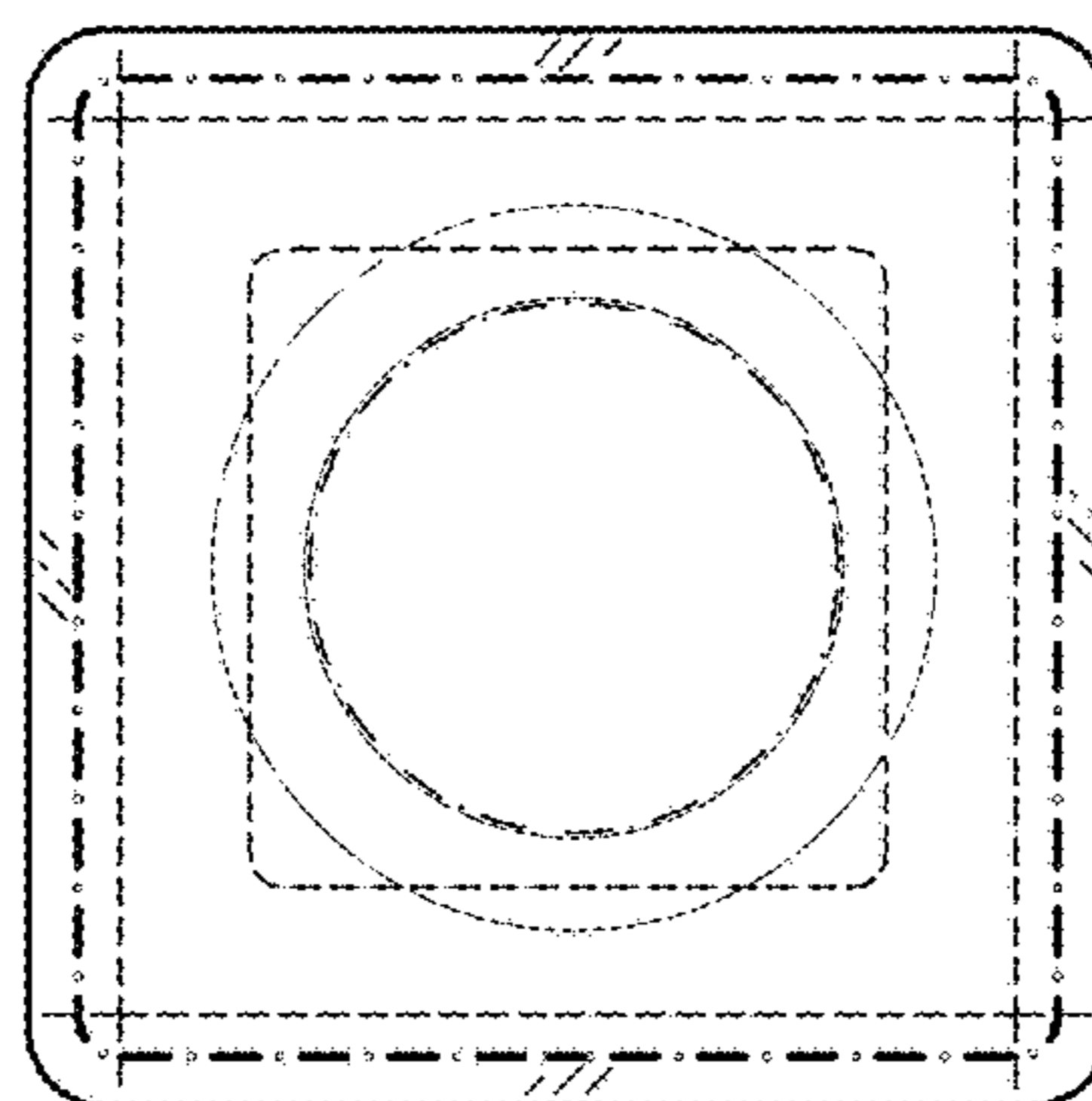


FIG. 4

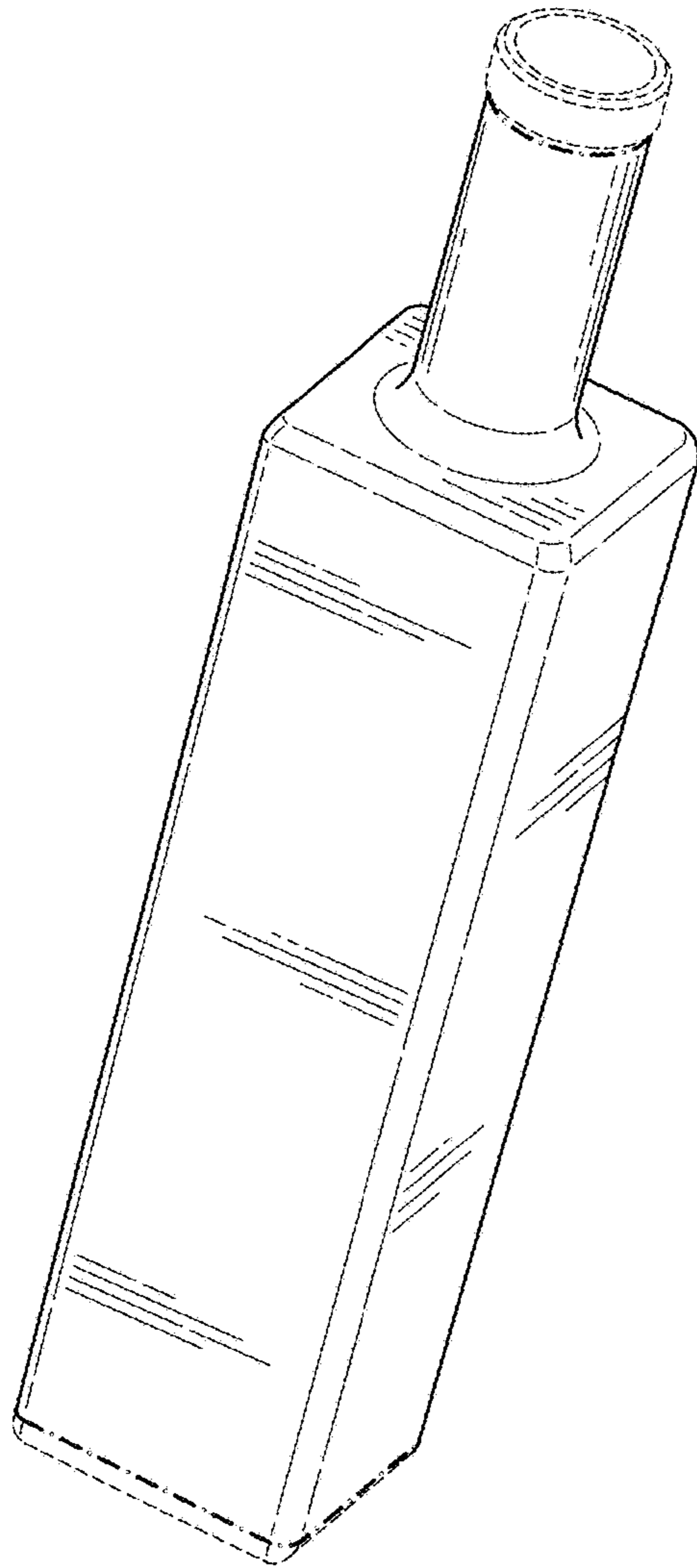


FIG. 5

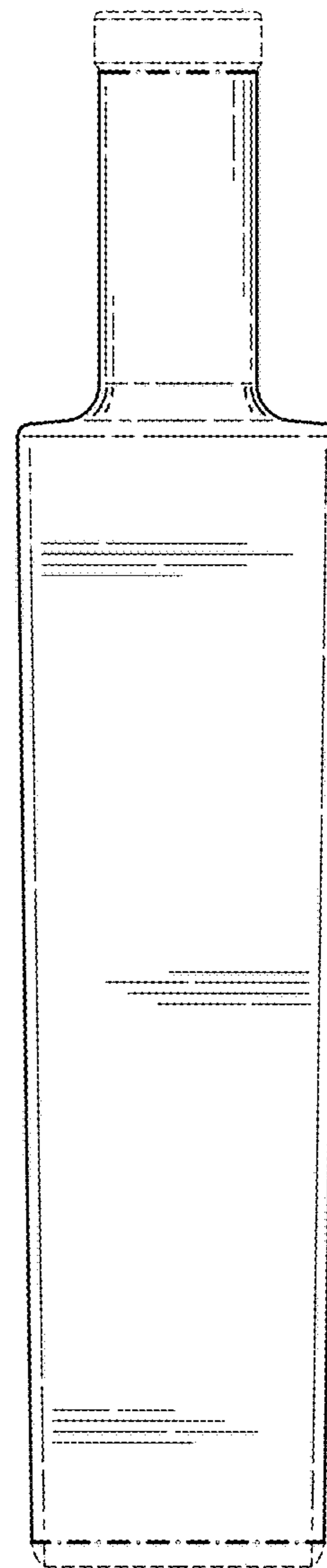


FIG. 6

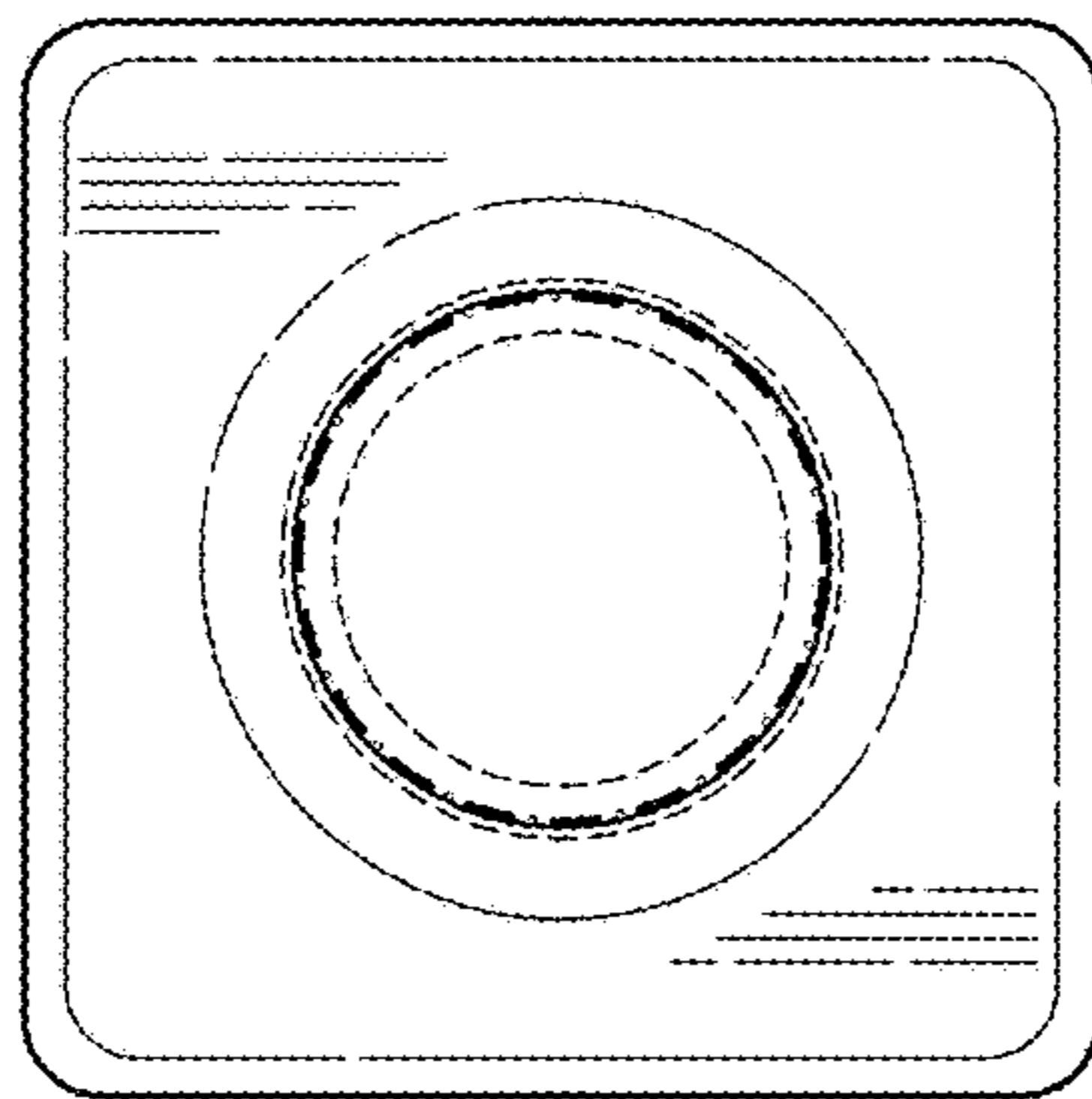


FIG. 7

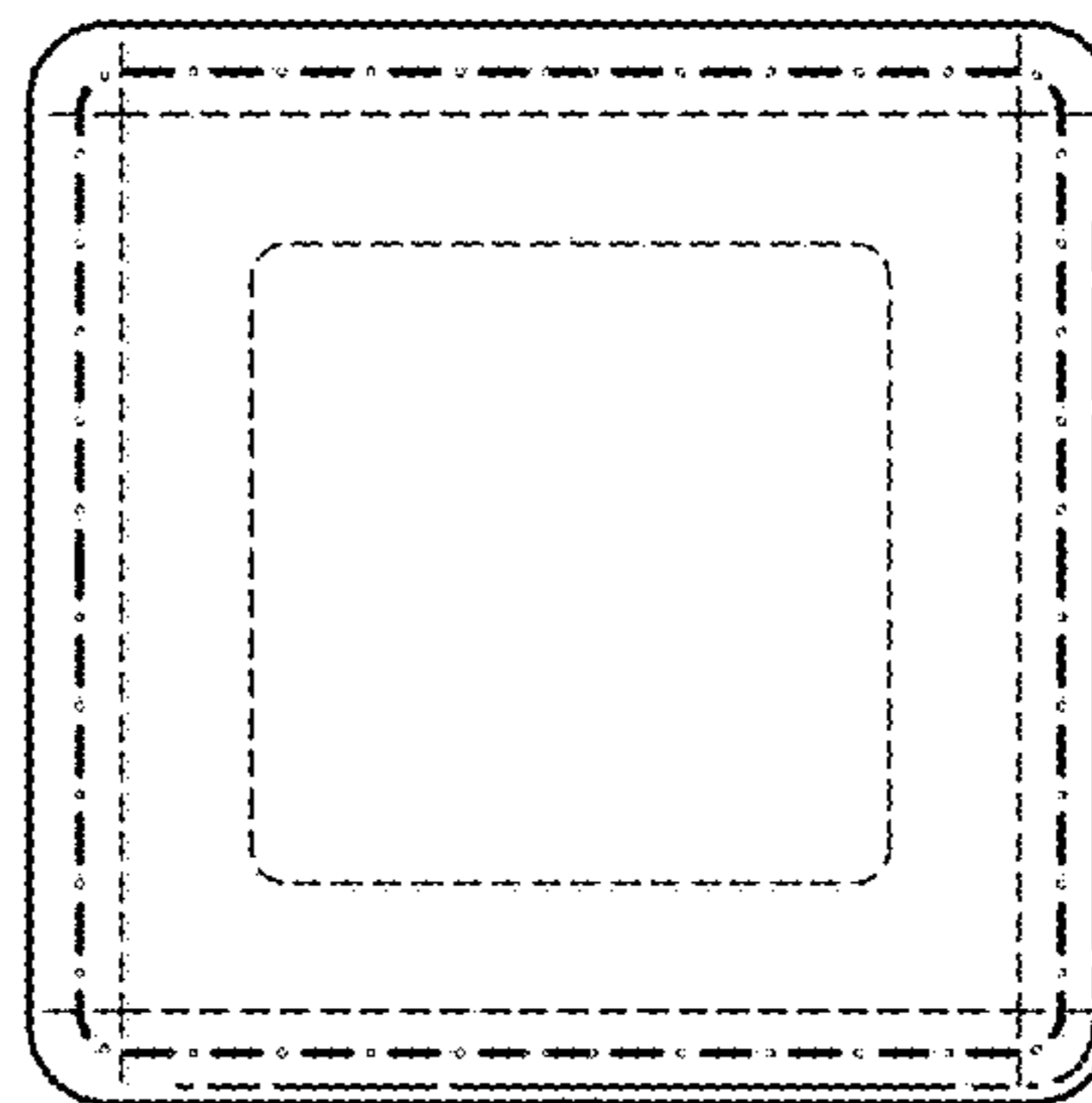


FIG. 8

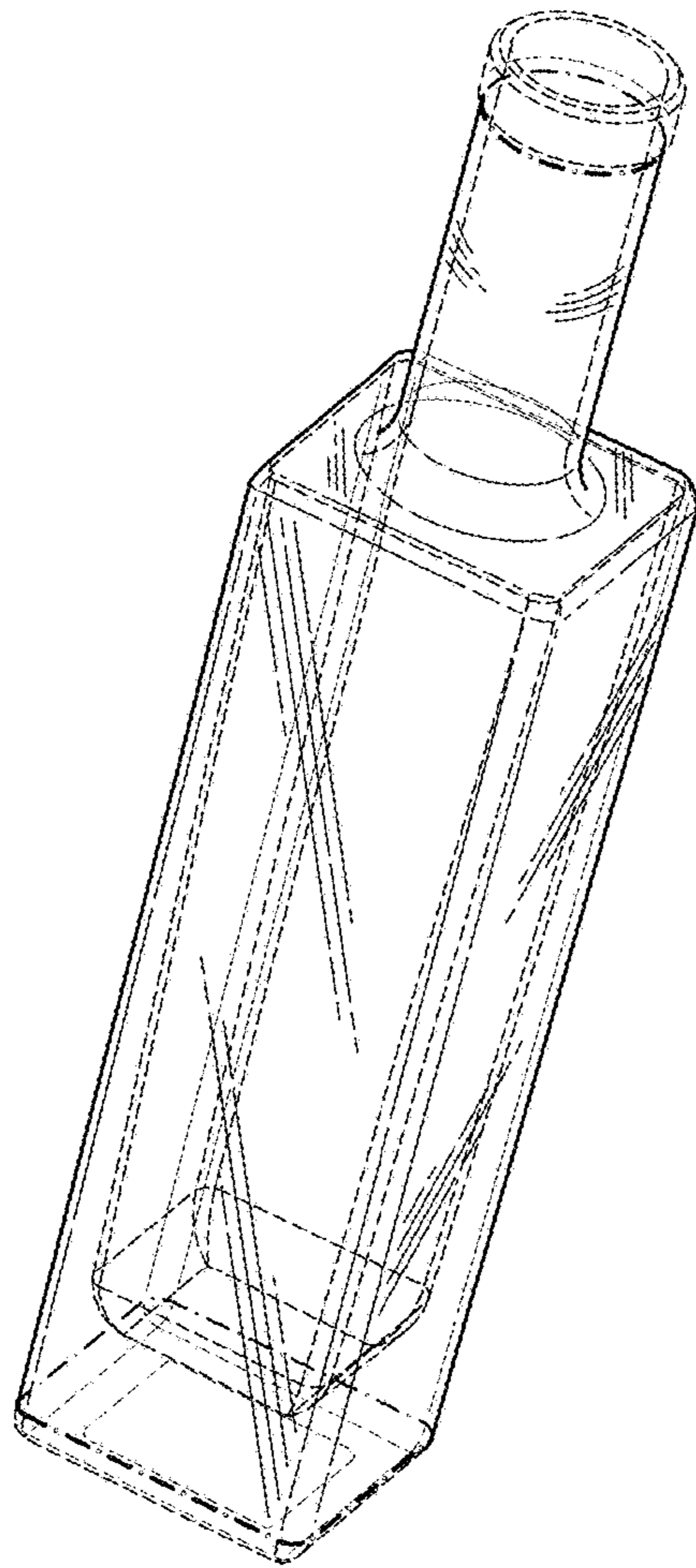


FIG. 9

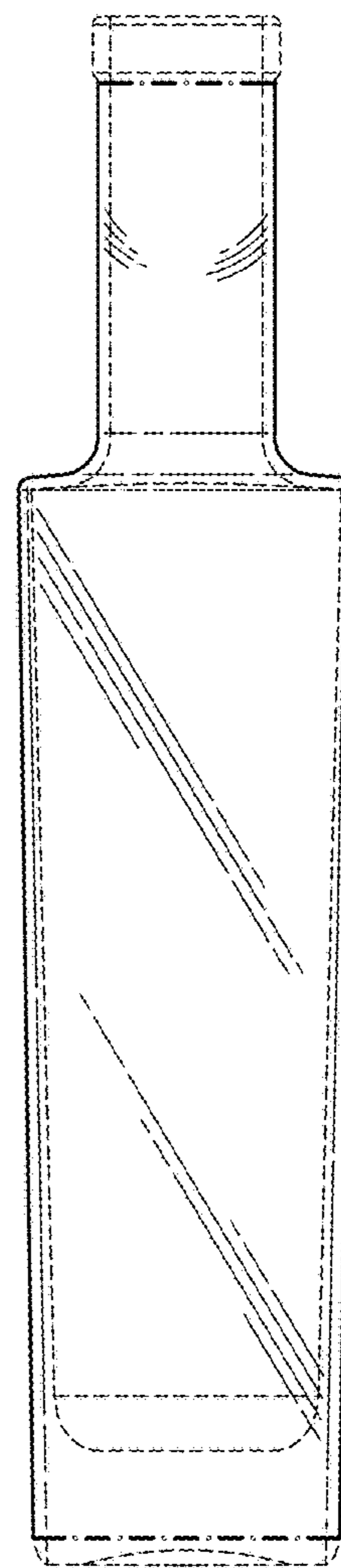


FIG. 10

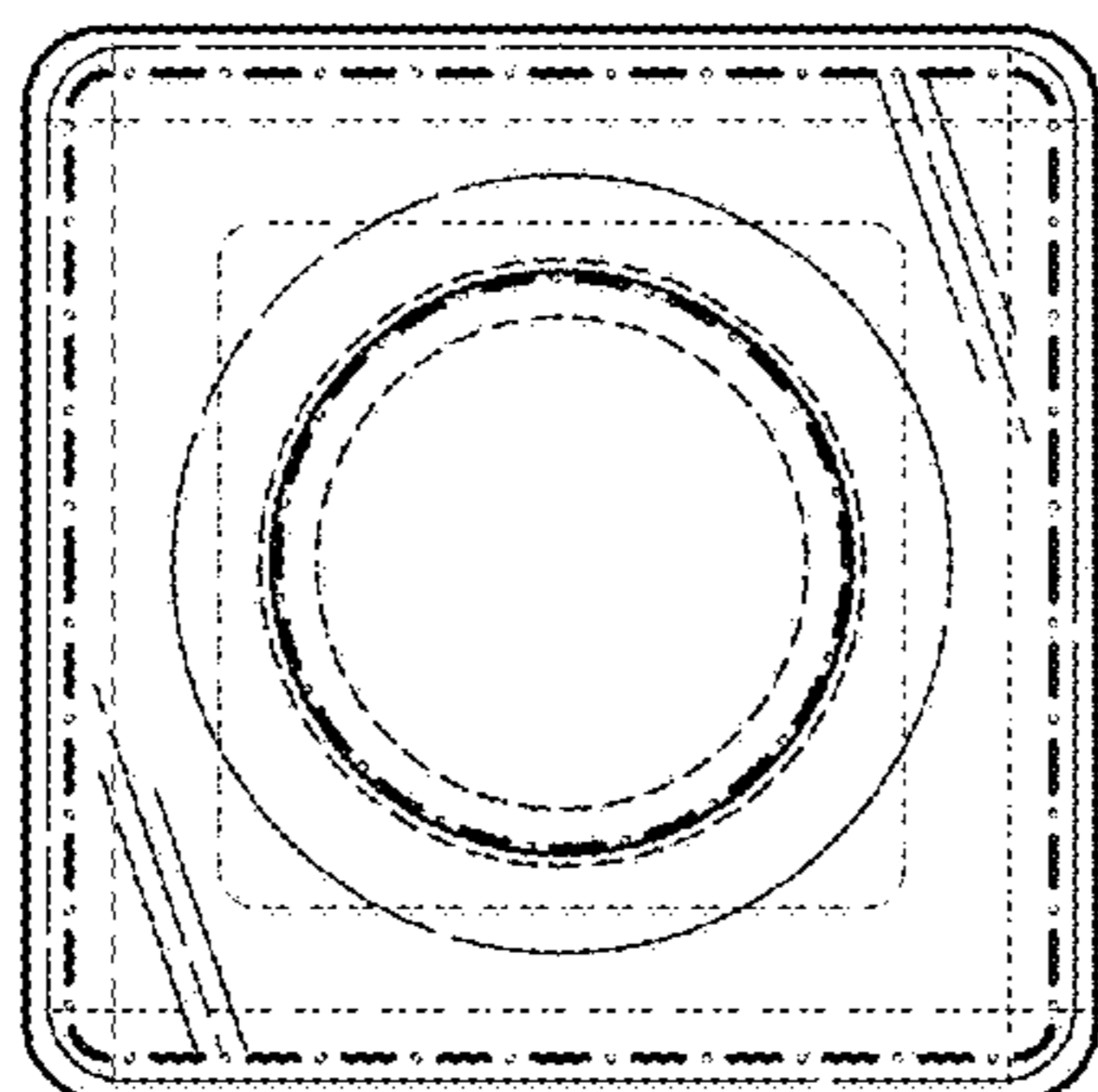


FIG. 11

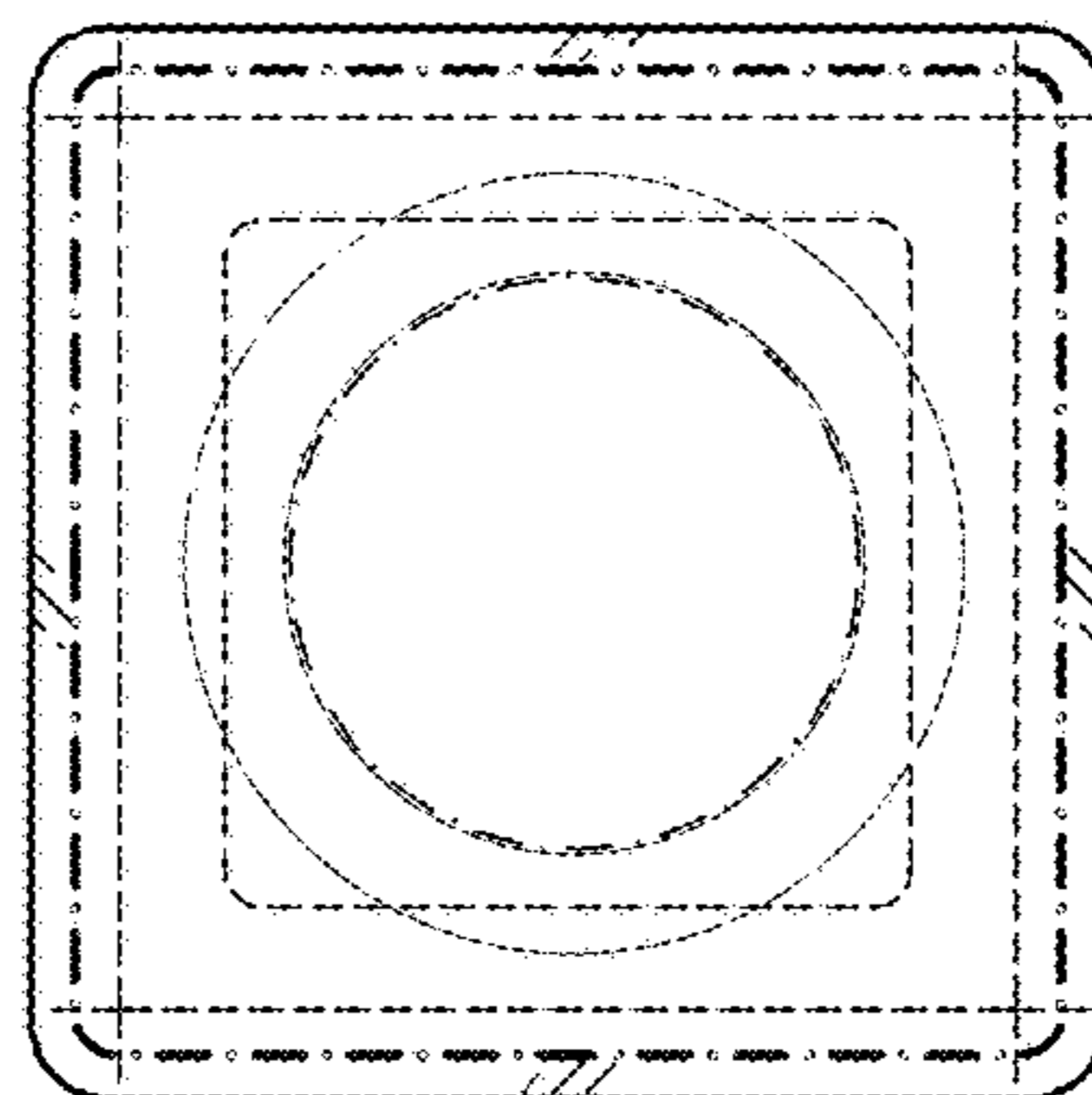


FIG. 12

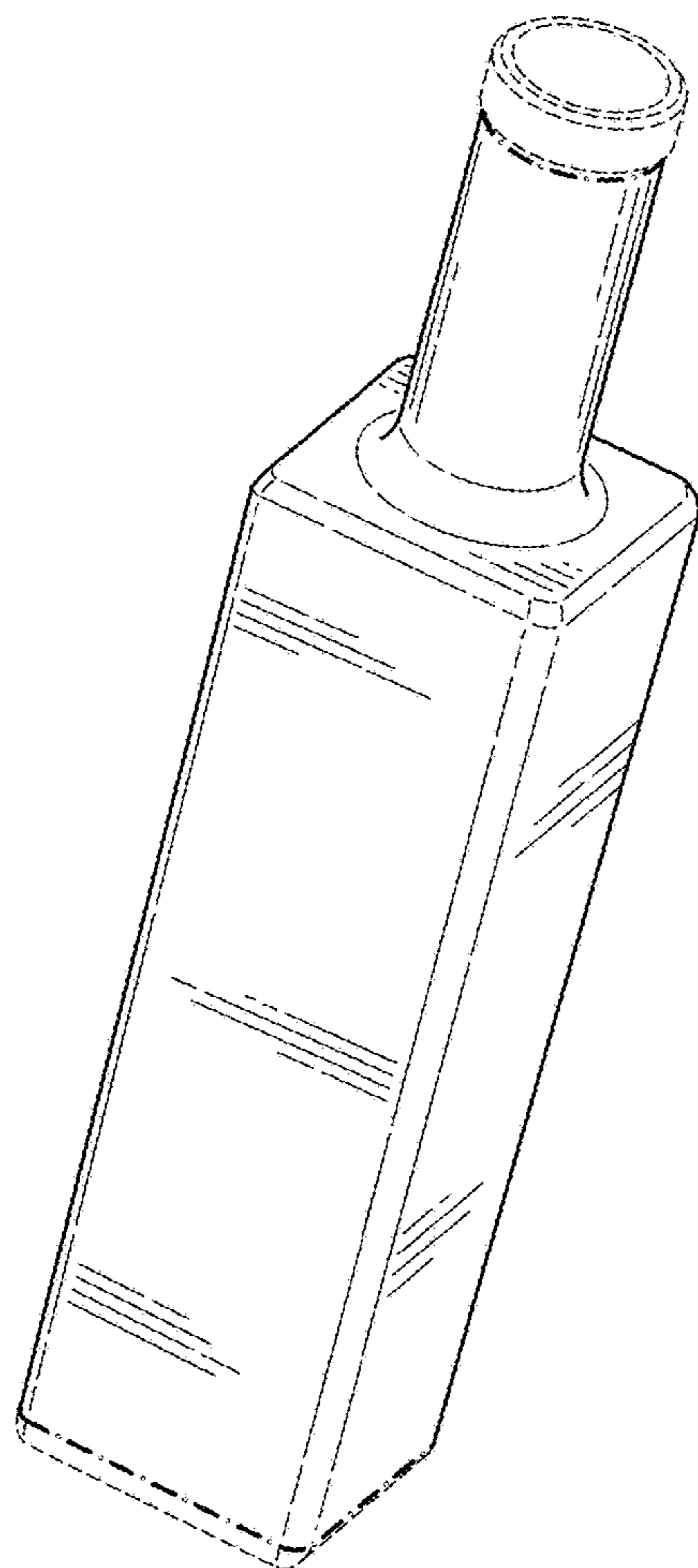


FIG. 13

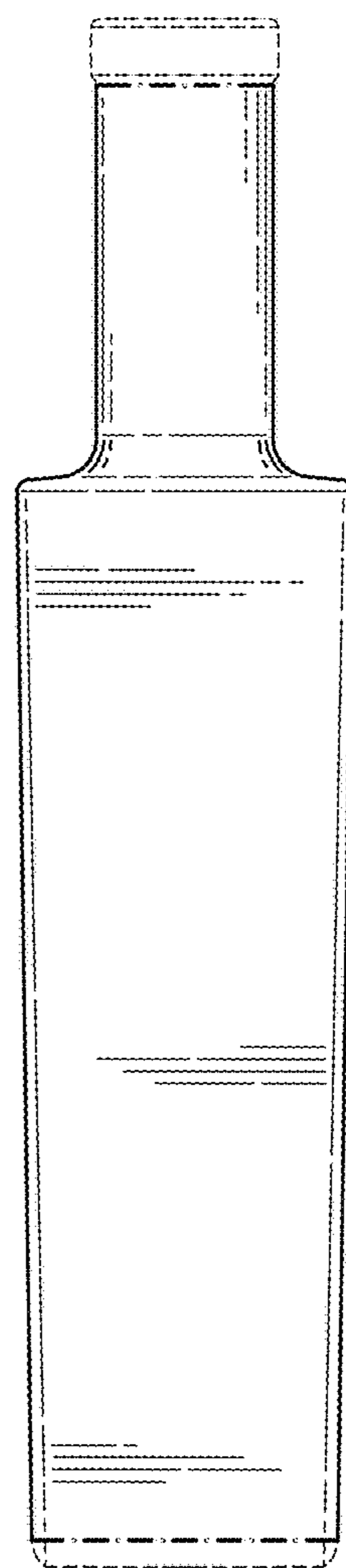


FIG. 14

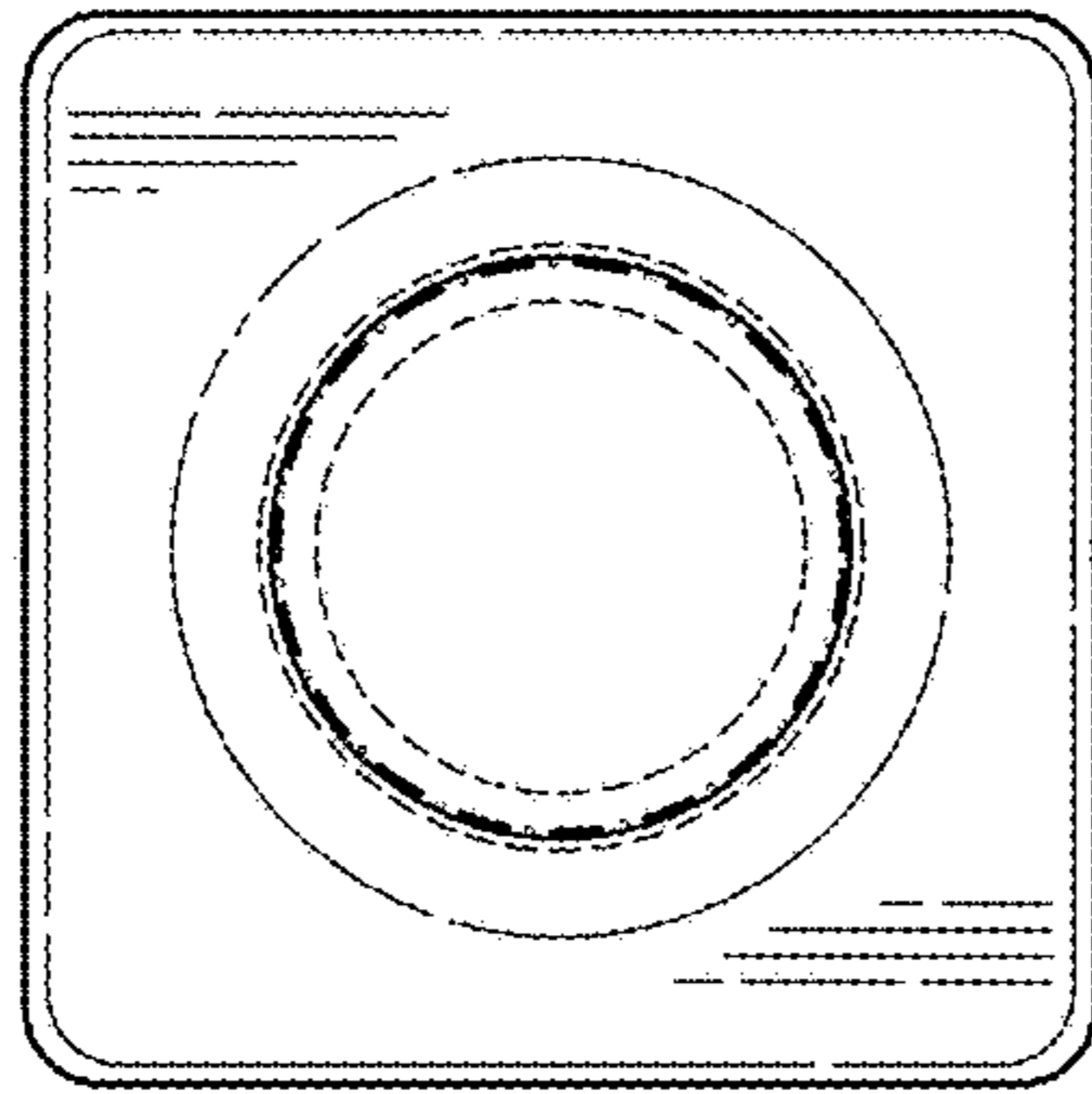


FIG. 15

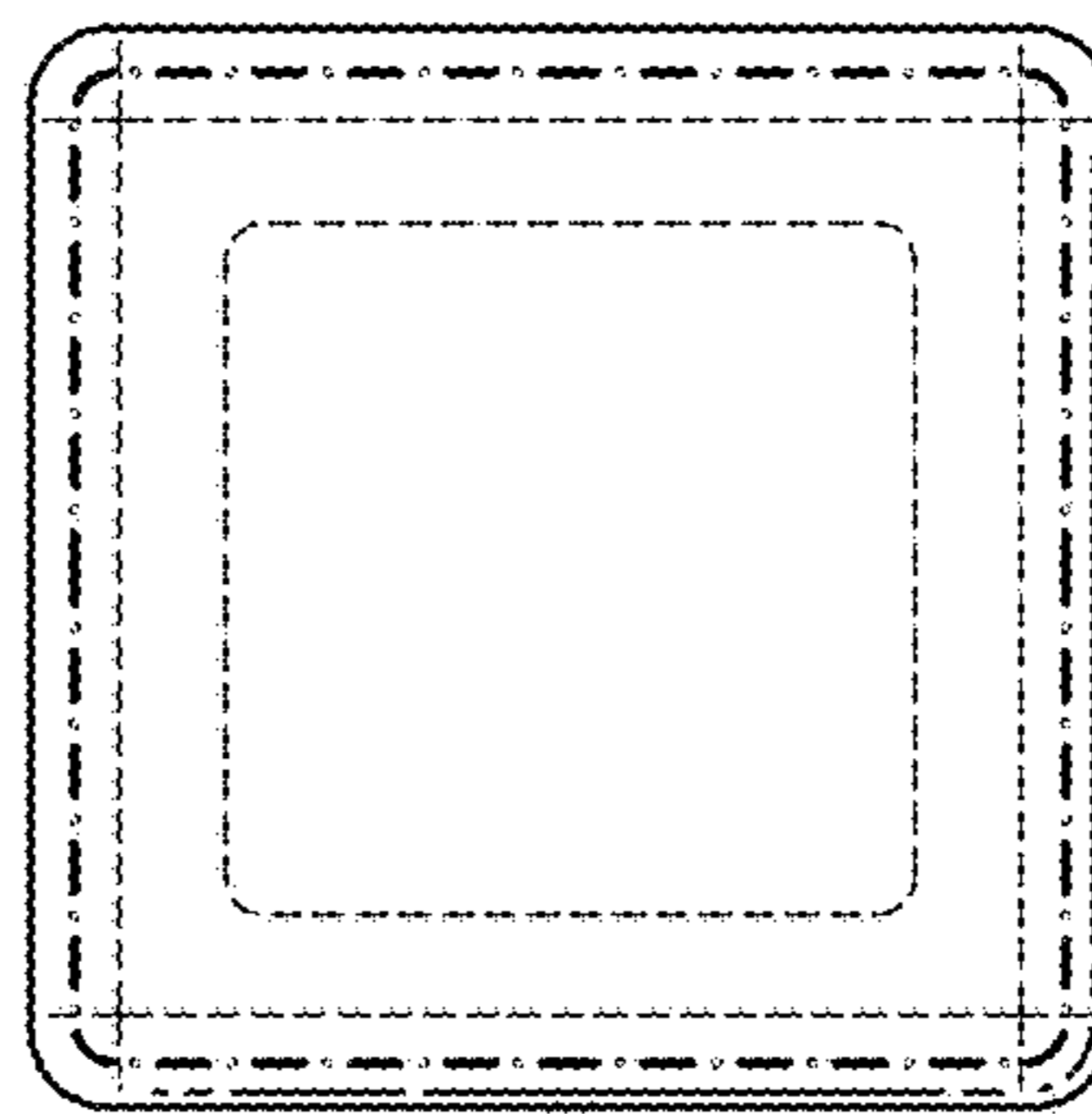


FIG. 16