

US00D860797S

(12) **United States Design Patent**
Pierangelino

(10) **Patent No.:** **US D860,797 S**

(45) **Date of Patent:** **** Sep. 24, 2019**

(54) **BOTTLE**

(71) Applicant: **Edward S. Pierangelino**, Panama City Beach, FL (US)

(72) Inventor: **Edward S. Pierangelino**, Panama City Beach, FL (US)

(**) Term: **15 Years**

(21) Appl. No.: **29/643,204**

(22) Filed: **Apr. 5, 2018**

(51) **LOC (12) Cl.** **09-01**

(52) **U.S. Cl.**
USPC **D9/522**; D9/454; D9/523; D9/564;
D9/575

(58) **Field of Classification Search**
USPC D9/434-435, 454, 516, 523, 564, 572,
D9/575; D23/366
CPC B65D 1/00; B65D 1/02; B65D 1/0223;
B65D 81/00; B65D 2501/00; B65D
2501/0009; B65D 2501/0081
See application file for complete search history.

(56) **References Cited**

U.S. PATENT DOCUMENTS

D86,460 S *	3/1932	Keating	D9/522
D282,909 S *	3/1986	Biesecker	D9/522
D439,522 S	3/2001	Blaakman		
D535,567 S *	1/2007	Snyder	D9/551
D536,979 S *	2/2007	Caserta	D9/522
D537,351 S *	2/2007	Caserta	D9/522
D538,165 S *	3/2007	Rittman	D9/452
D564,885 S *	3/2008	Rittman	D9/452
D566,565 S *	4/2008	Rittman	D9/452
D589,813 S	4/2009	Rica		
D646,979 S	10/2011	Shaw et al.		
D651,088 S *	12/2011	Buschmann	D9/522
D720,923 S	1/2015	Hadden		

D762,481 S	8/2016	Zaima et al.		
D834,169 S *	11/2018	Gobber	D23/366
2004/0020950 A1	2/2004	Overbay		

OTHER PUBLICATIONS

A flat reusable plastic water bottle. Product review [online]. Ehud Eldan [retrieved on Dec. 7, 2017]. Retrieved from the Internet: <URL:http://ehudeldan.com/Vann>.

Flat Clear Water Bottle—Best for Job, Sports, Travel, School-Leak Proof, BPA-Free, Pocket Plastic Flask A5 Reusable Kids Camping, Gym, Tennis, Yoga Drinking Infuser Funnel w Wide Mouth and 4 Bonus. Product review [online]. EveningShops [retrieved on Dec. 7, 2017]. Retrieved from the Internet: <URL:http://eveningshops.com/flat-clear-water-bottle-best-for-job-sports-travel-school-leak-proof-bpa-free-pocket-plastic-flask-a5-reusable-kids-camping-gym-tennis-yoga-drinking-infuser-funnel-w-wide-mouth-and-4-bonus/>.

* cited by examiner

Primary Examiner — Dana Meyrow
(74) *Attorney, Agent, or Firm* — Cramer Patent & Design, PLLC; Aaron R. Cramer

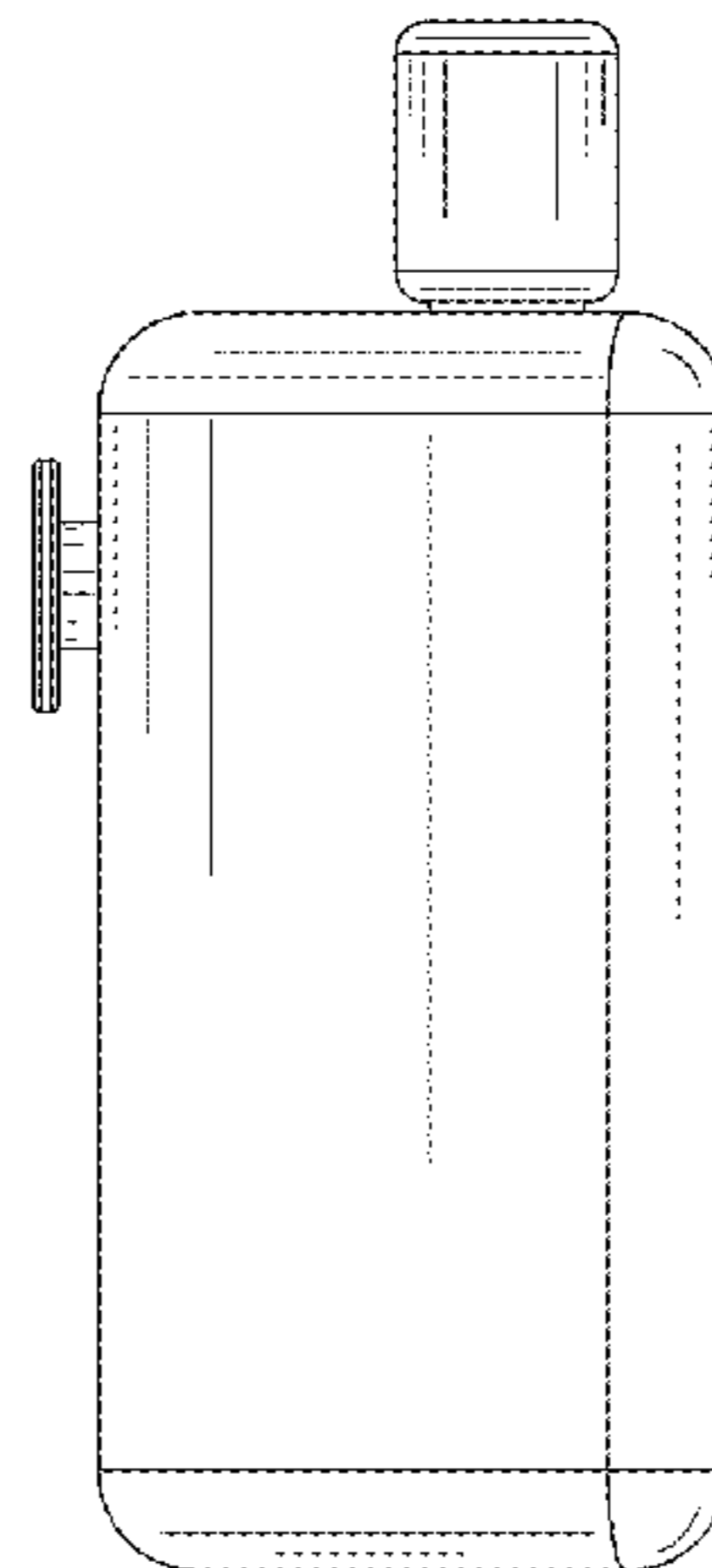
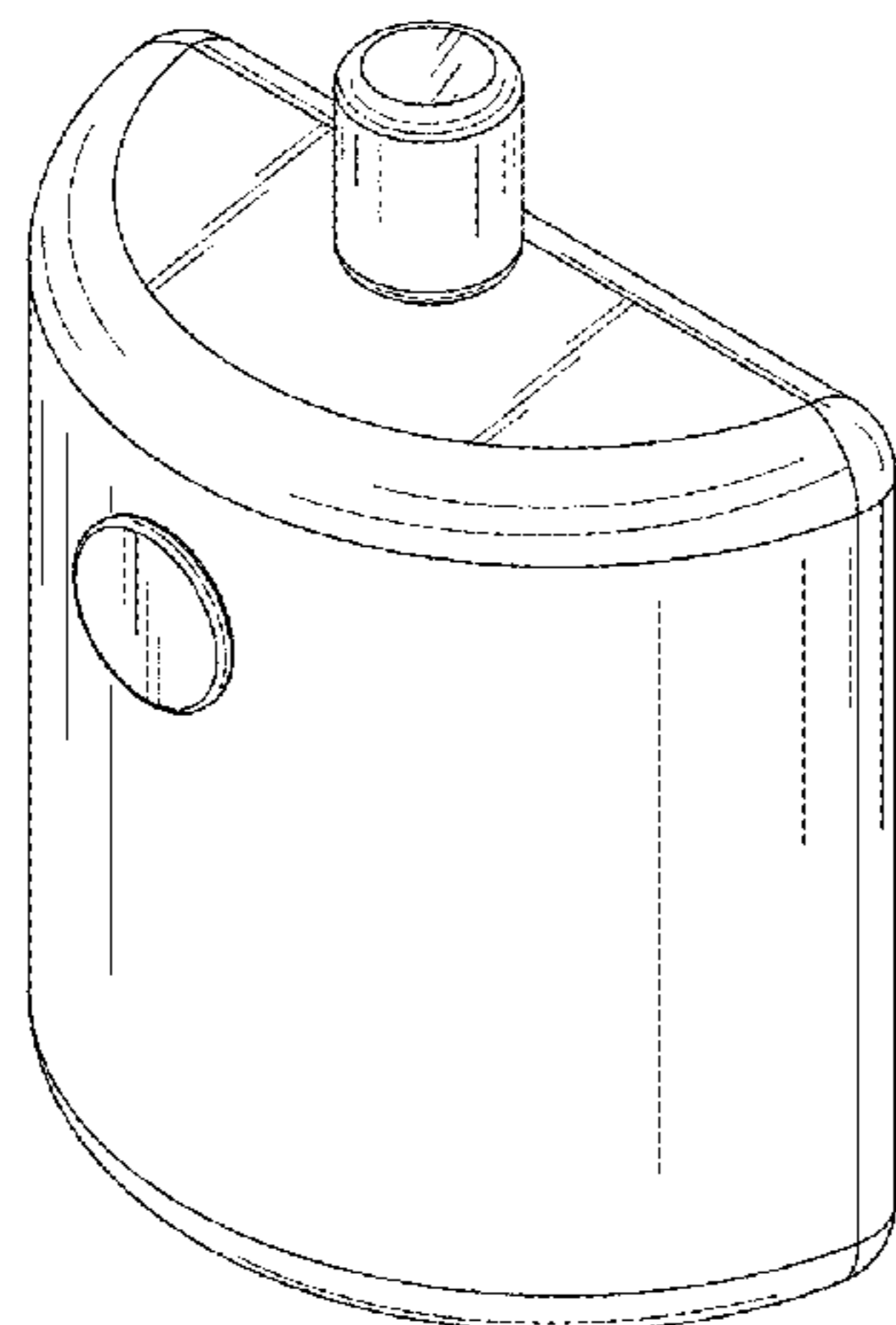
(57) **CLAIM**

The ornamental design for a bottle, as shown and described.

DESCRIPTION

FIG. 1 is a top, front, right side perspective view of a bottle showing my new design;
FIG. 2 is a bottom, rear, left side perspective view thereof;
FIG. 3 is a front elevation view thereof;
FIG. 4 is a rear elevation view thereof;
FIG. 5 is a right elevation view thereof;
FIG. 6 is a left elevation view thereof;
FIG. 7 is a top plan view thereof; and,
FIG. 8 is a bottom plan view thereof.

1 Claim, 8 Drawing Sheets



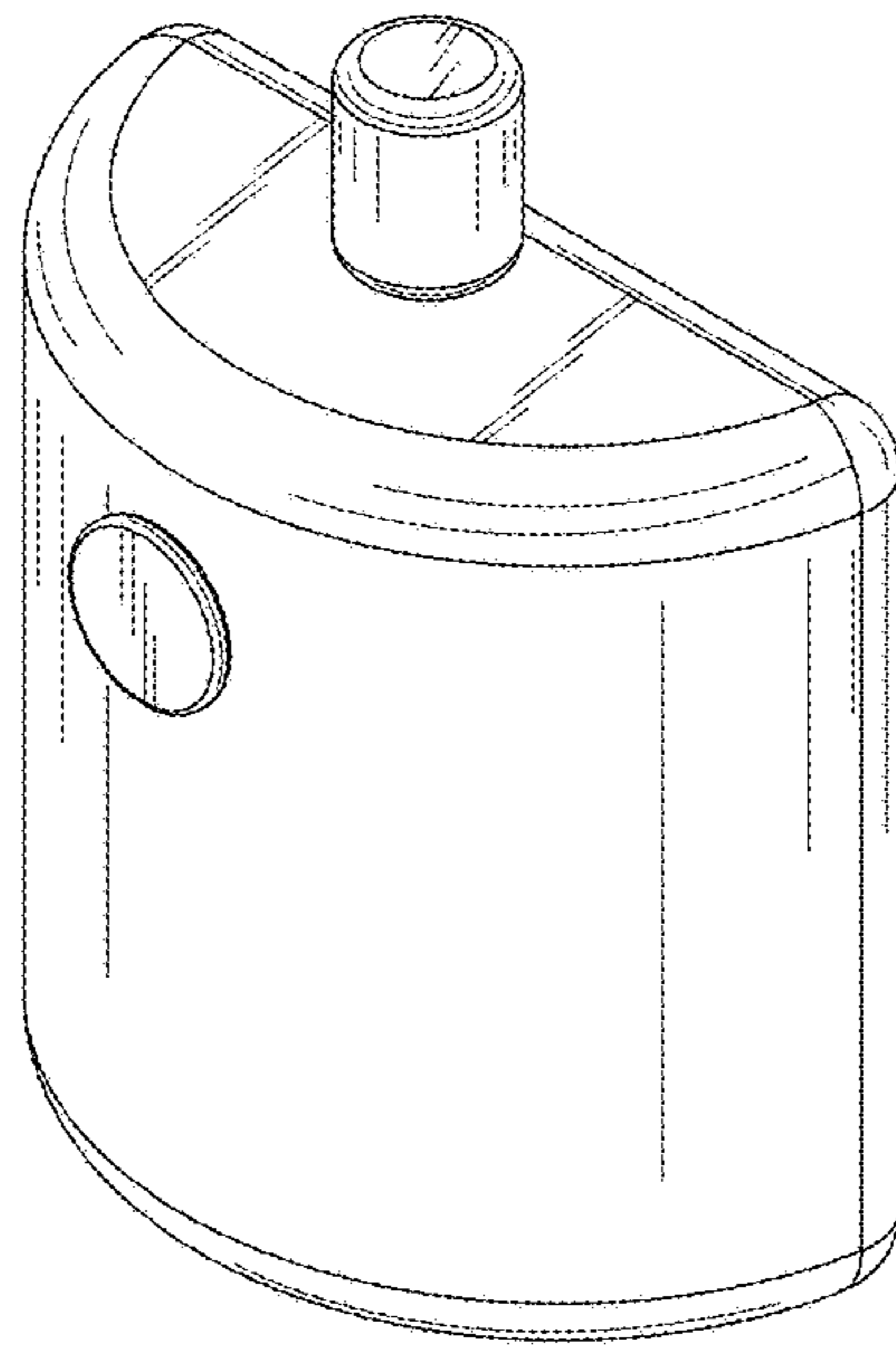


FIG. 1

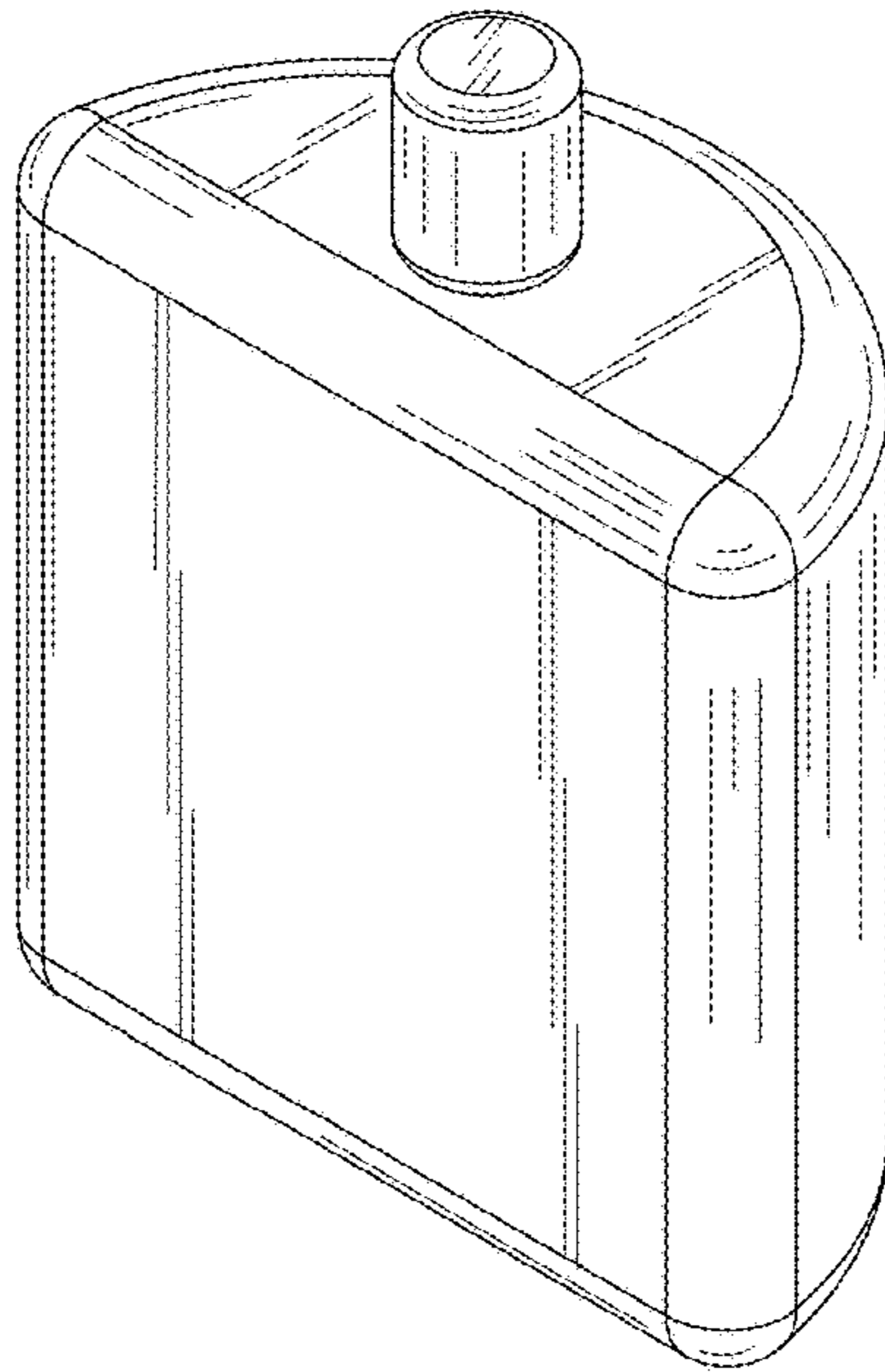


FIG. 2

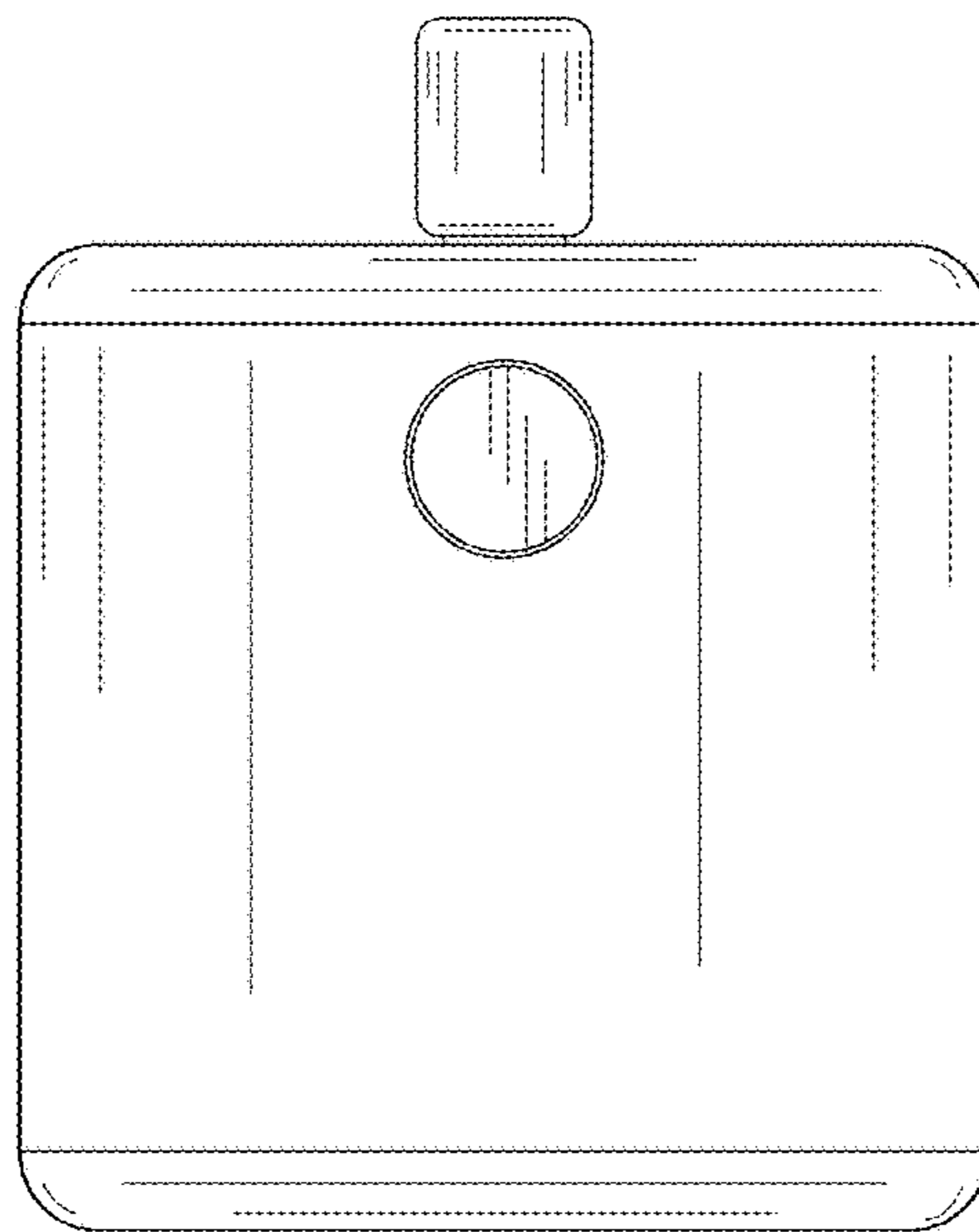


FIG. 3

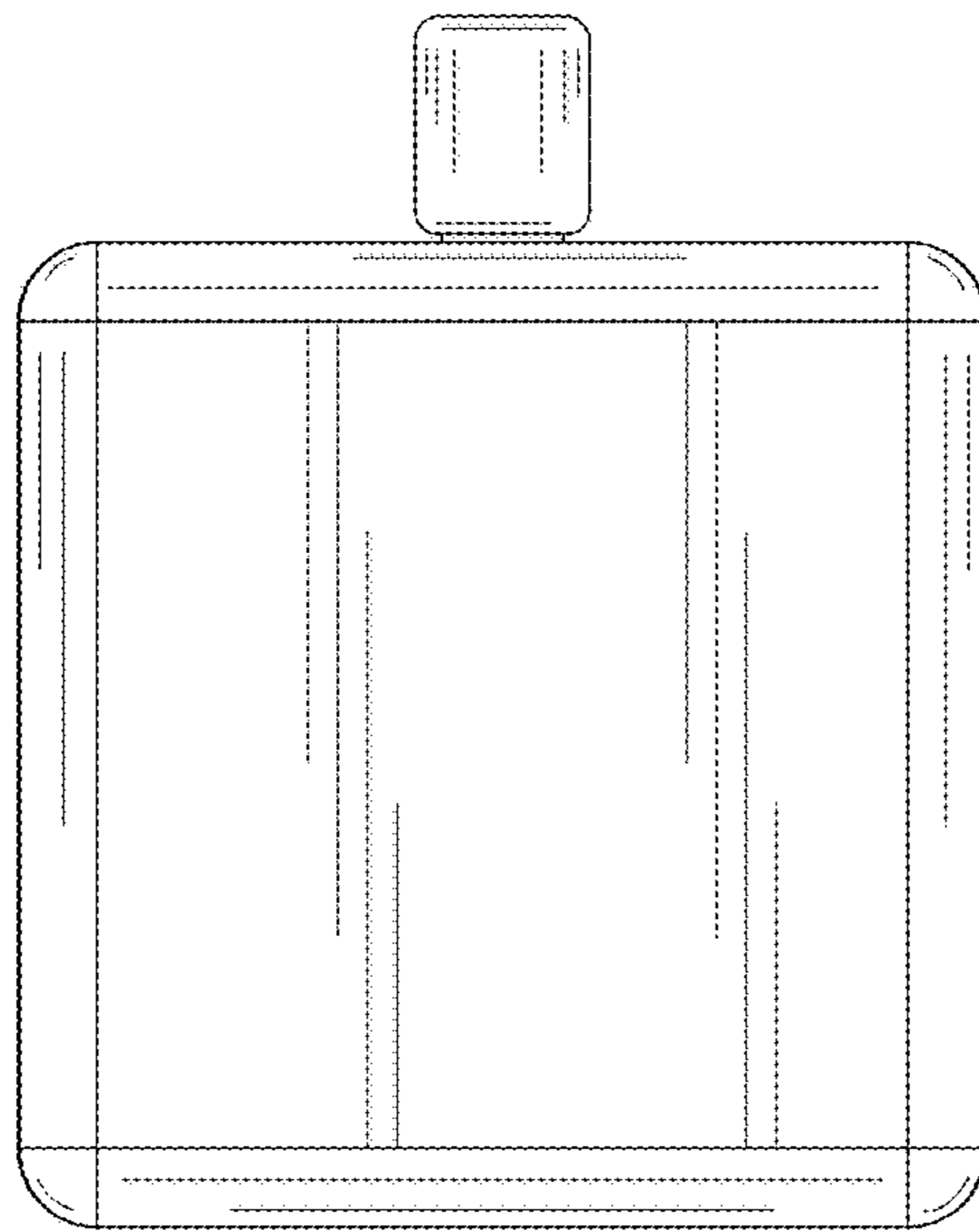


FIG. 4

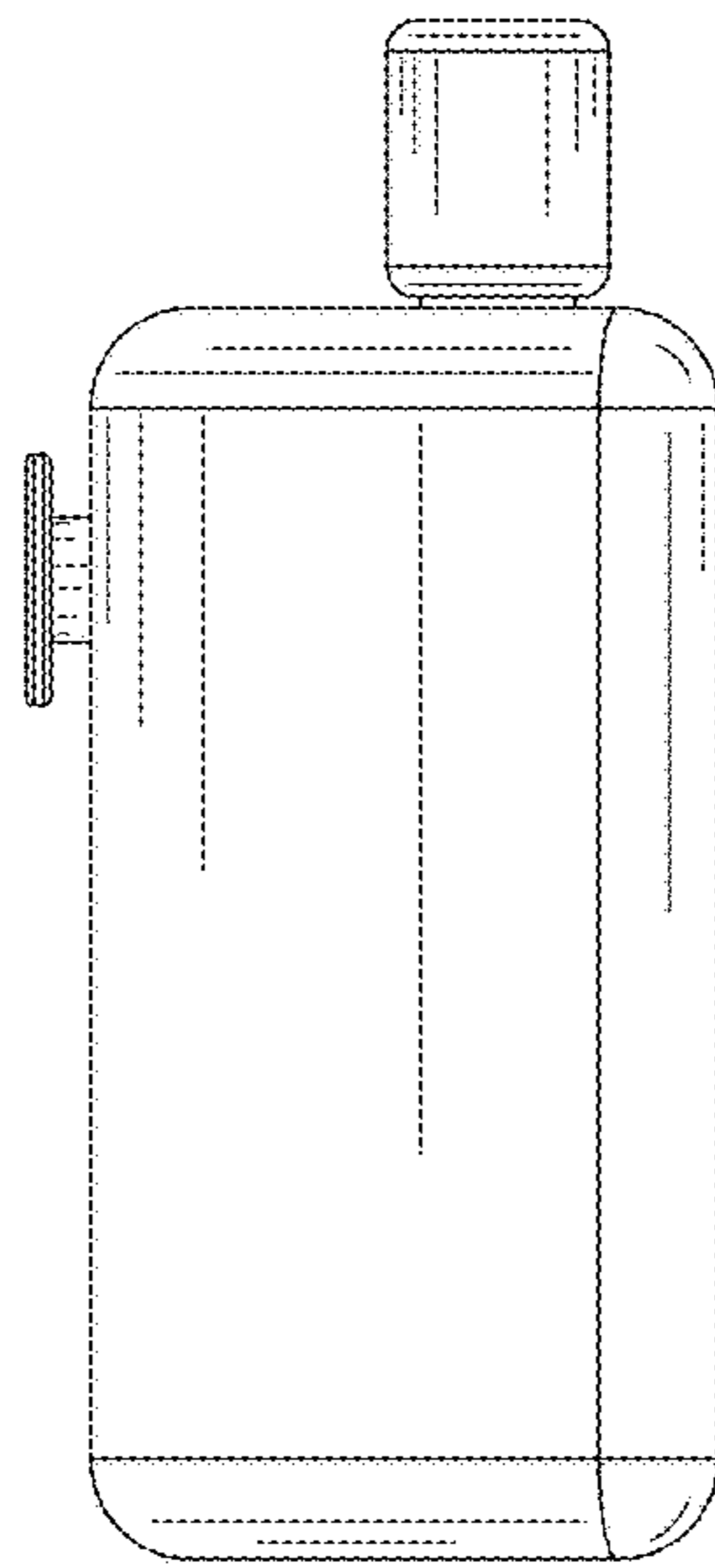


FIG. 5

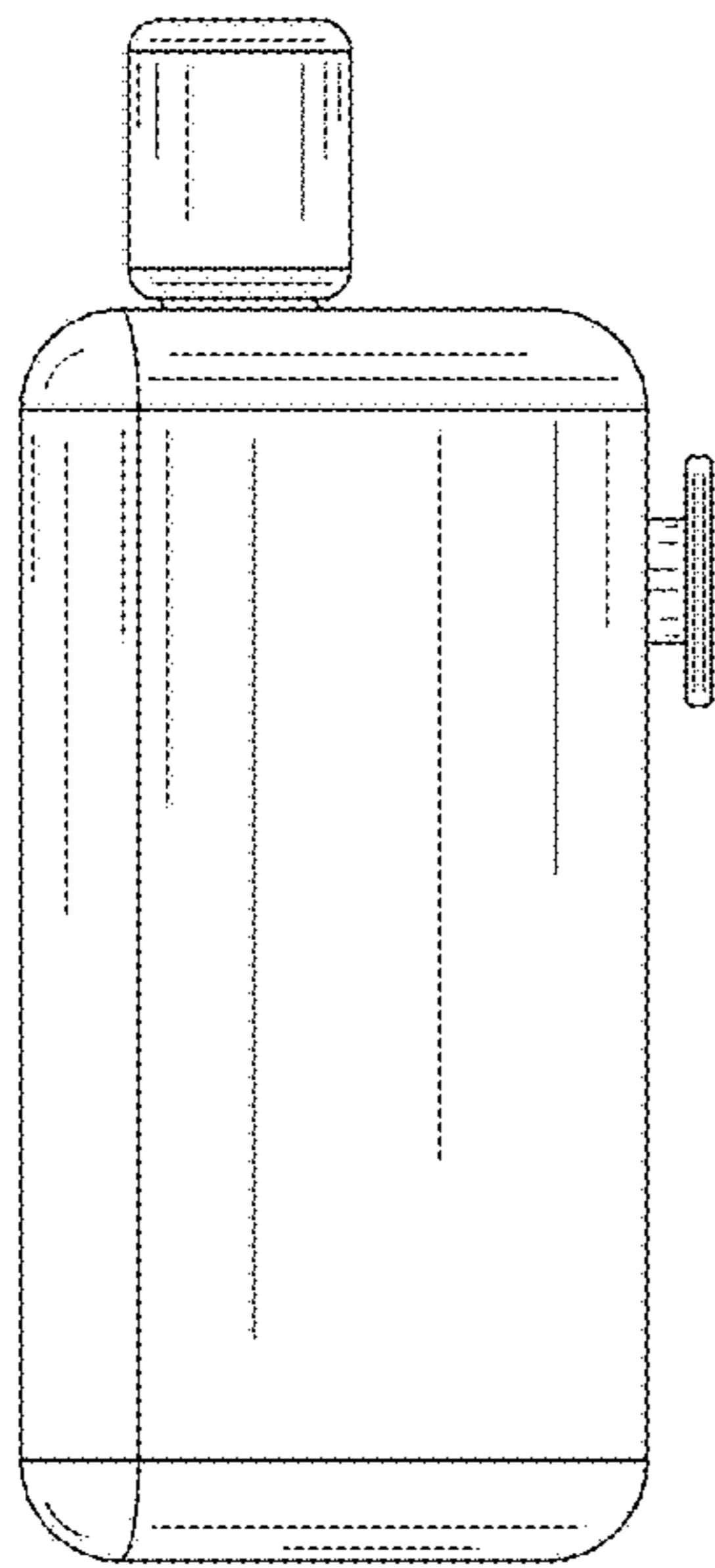


FIG. 6

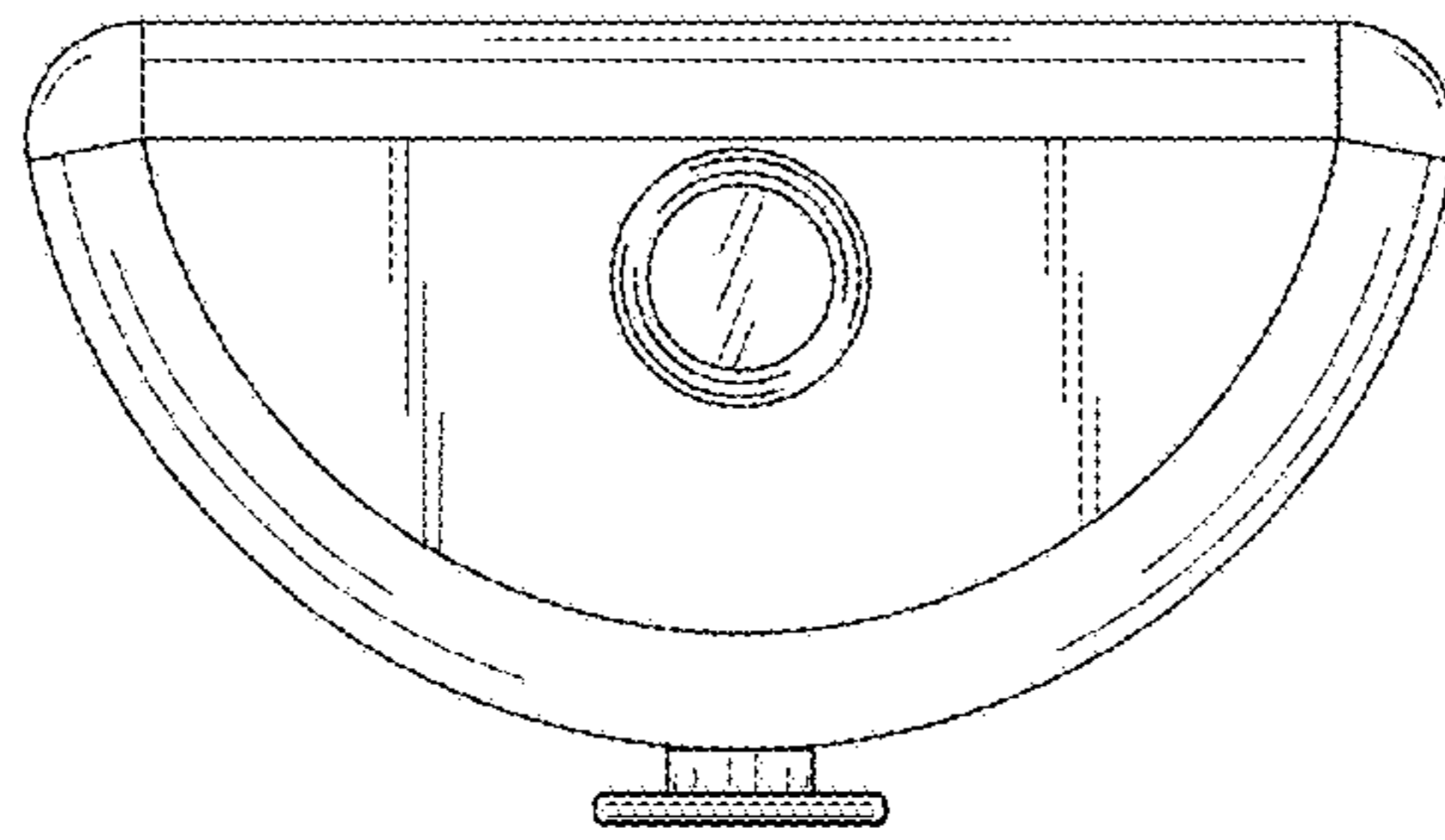


FIG. 7

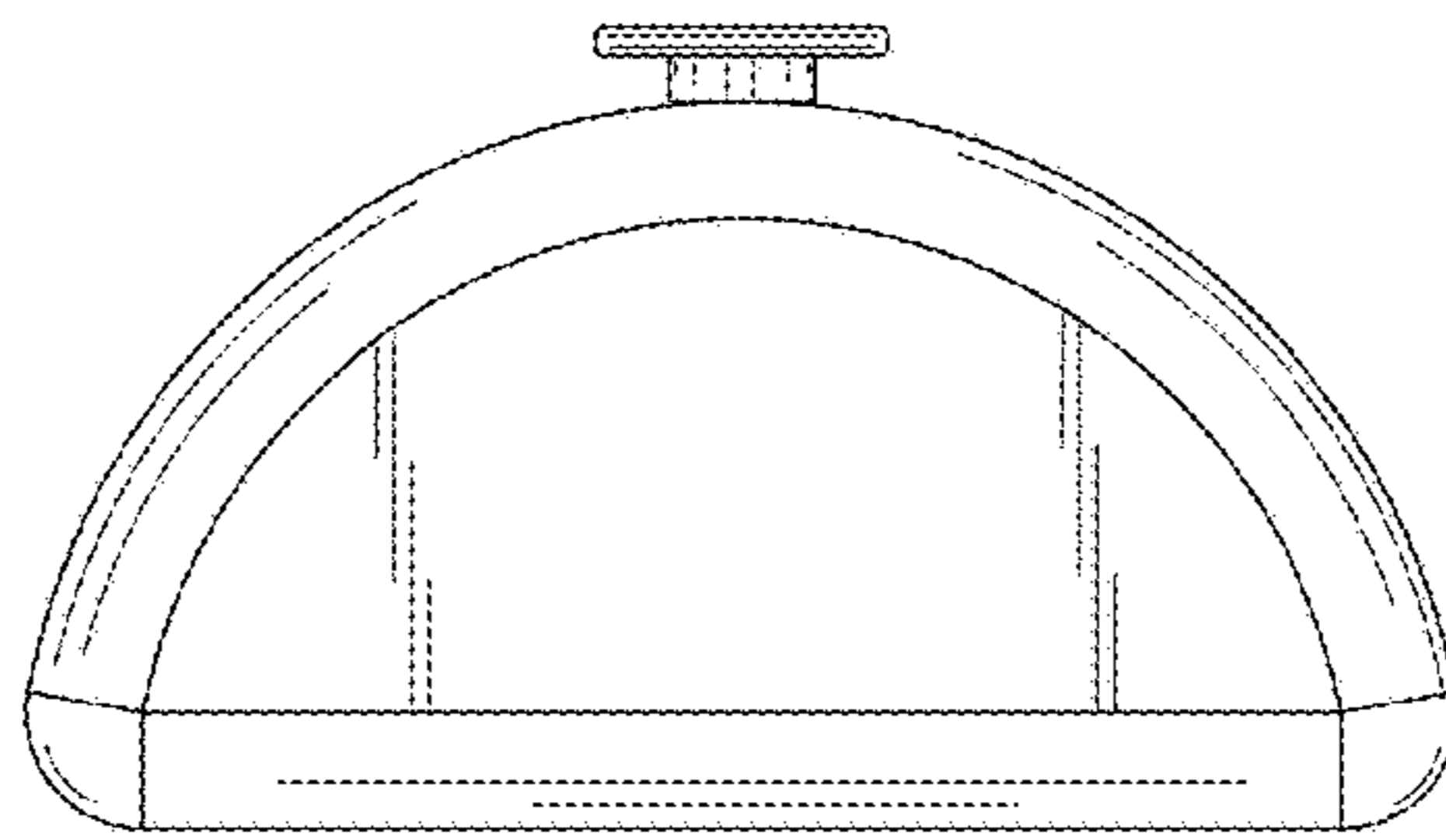


FIG. 8