



US00D860792S

(12) **United States Design Patent**
Brozell

(10) **Patent No.:** **US D860,792 S**

(45) **Date of Patent:** **** Sep. 24, 2019**

(54) **CONTAINER WITH A CYCLINDRICAL SHAPED OUTER SKIRT**

(71) Applicant: **Mold-Rite Plastics, LLC**, Twinsburg, OH (US)

(72) Inventor: **Leonora Brozell**, Maumee, OH (US)

(73) Assignee: **Mold-Rite Plastics, LLC**, Twinsburg, OH (US)

(**) Term: **15 Years**

(21) Appl. No.: **29/683,278**

(22) Filed: **Mar. 12, 2019**

(51) **LOC (12) Cl.** **09-01**

(52) **U.S. Cl.**

USPC **D9/500; D9/520**

(58) **Field of Classification Search**

USPC D9/414, 417, 434, 500, 503-504, 516, D9/549, 558, 715, 745; D7/612, 615, D7/630; D24/117, 121, 197, 224; D28/73, 76-77, 91; D3/203.2, 264

CPC B65D 1/00; B65D 1/02; B65D 1/0207; B65D 1/0223; B65D 21/0209; B65D 21/0213; B65D 2501/00; B65D 2501/0009

See application file for complete search history.

(56) **References Cited**

U.S. PATENT DOCUMENTS

- D98,055 S * 1/1936 Conner D9/502
- 2,076,551 A * 4/1937 Conner A45D 40/0068
215/12.1
- 2,077,215 A * 4/1937 Conner A45D 40/0068
215/12.1
- D221,978 S * 9/1971 Daenen et al. D7/503
- D222,375 S * 10/1971 Beneik D7/523
- 3,713,528 A * 1/1973 Daenen A47G 19/28
206/525

- D280,710 S * 9/1985 Skylvik D9/434
- D287,404 S * 12/1986 Johansson D24/121
- D322,195 S * 12/1991 Daenen D7/503

(Continued)

Primary Examiner — Dana Meyrow

(74) *Attorney, Agent, or Firm* — Drinker Biddle & Reath LLP

(57) **CLAIM**

The ornamental design for a container with a cylindrical shaped outer skirt, as shown and described.

DESCRIPTION

FIG. 1 is a top front perspective view of a container with a cylindrical shaped outer skirt according to the present invention.

FIG. 2 is a bottom front perspective view of the container of FIG. 1.

FIG. 3 is another bottom front perspective view of the container of FIG. 1.

FIG. 4 is a bottom view of the container of FIG. 1.

FIG. 5 is a section view of the container of FIG. 1 taken along lines 5-5 in FIG. 4.

FIG. 6 is a top front perspective view of the container of FIG. 1 with a closure attached.

FIG. 7 is a top front perspective view of another embodiment of a container with a cylindrical shaped outer skirt according to the present invention.

FIG. 8 is a bottom front perspective view of the container of FIG. 7.

FIG. 9 is another bottom front perspective view of the container of FIG. 7.

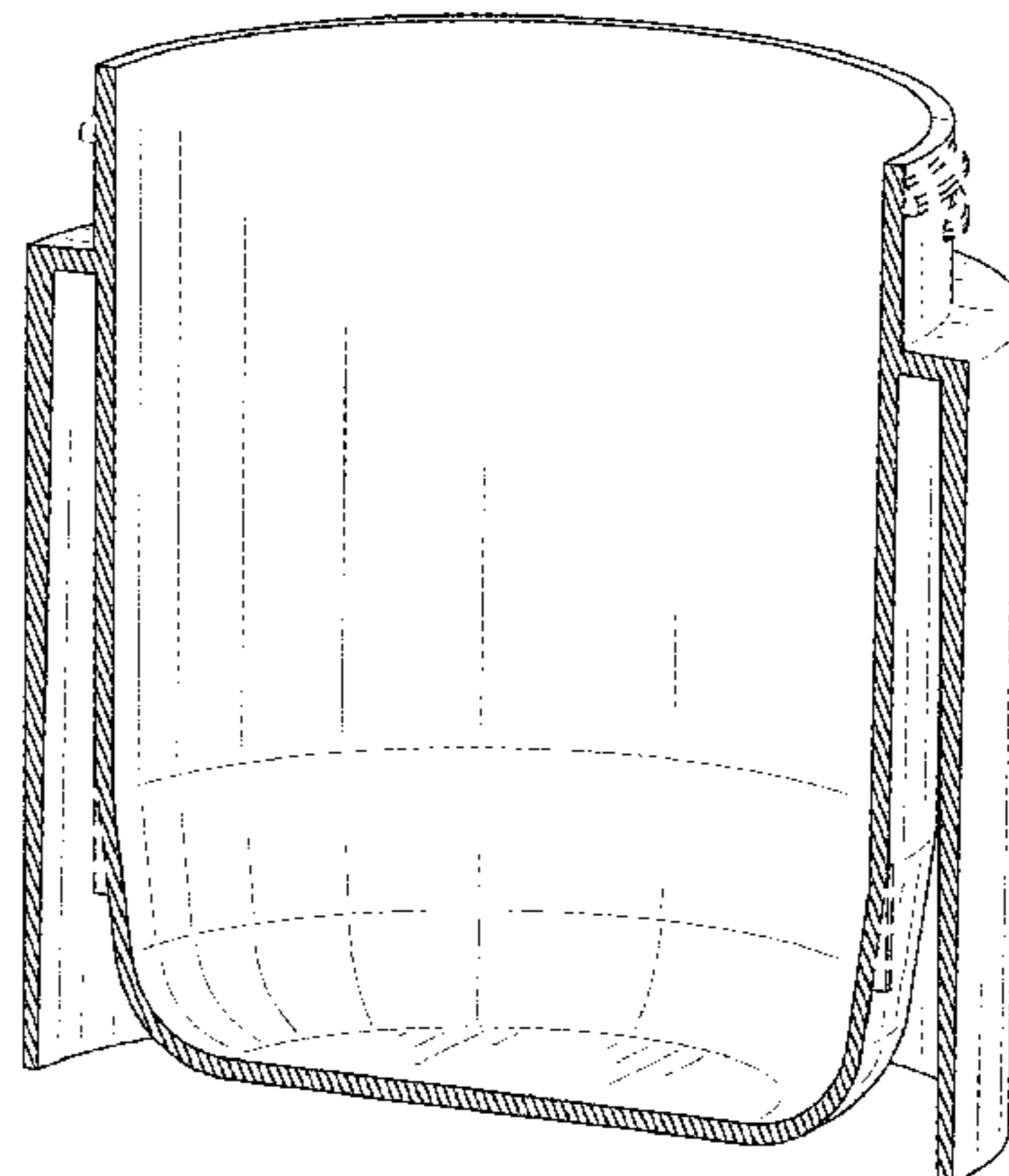
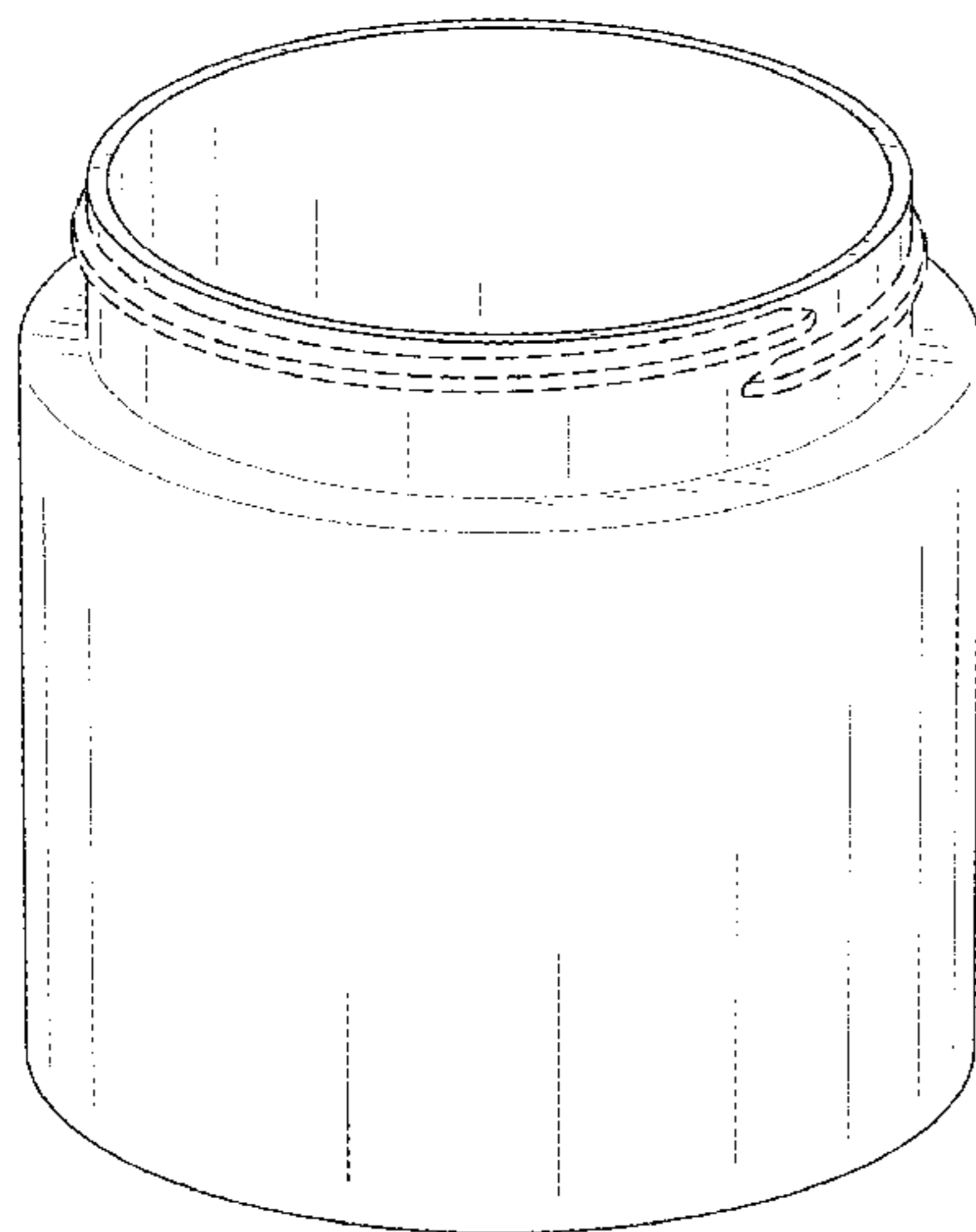
FIG. 10 is a bottom view of the container of FIG. 7;

FIG. 11 is a section view of the container of FIG. 7 taken along lines 11-11 in FIG. 10; and,

FIG. 12 is a top front perspective view of the container of FIG. 7 with a closure attached.

The portions of the drawings appearing in broken lines are for environment only and do not form a part of the claimed design.

1 Claim, 12 Drawing Sheets



(56)

References Cited

U.S. PATENT DOCUMENTS

D330,429 S * 10/1992 Lewis D24/224
D444,702 S * 7/2001 Castleberry, II D9/746
D577,290 S * 9/2008 Moretti D9/500
D578,891 S * 10/2008 Canamasas Puigbo D9/500
D586,472 S * 2/2009 Harold D24/224
D605,529 S * 12/2009 Holtrop D9/454
8,777,066 B2 * 7/2014 Esteve A45D 34/00
222/386
D746,627 S * 1/2016 Puigbo D9/503
D804,950 S * 12/2017 Spurrier D9/500
D814,705 S * 4/2018 Norris D28/82
D825,336 S * 8/2018 Spurrier D9/500
D836,982 S * 1/2019 Diener D7/509
D842,109 S * 3/2019 Marotta D9/500
D845,768 S * 4/2019 Mateus D9/500
2011/0297704 A1 * 12/2011 Esteve A45D 34/00
222/390
2016/0262523 A1 * 9/2016 Kim A45D 40/00

* cited by examiner

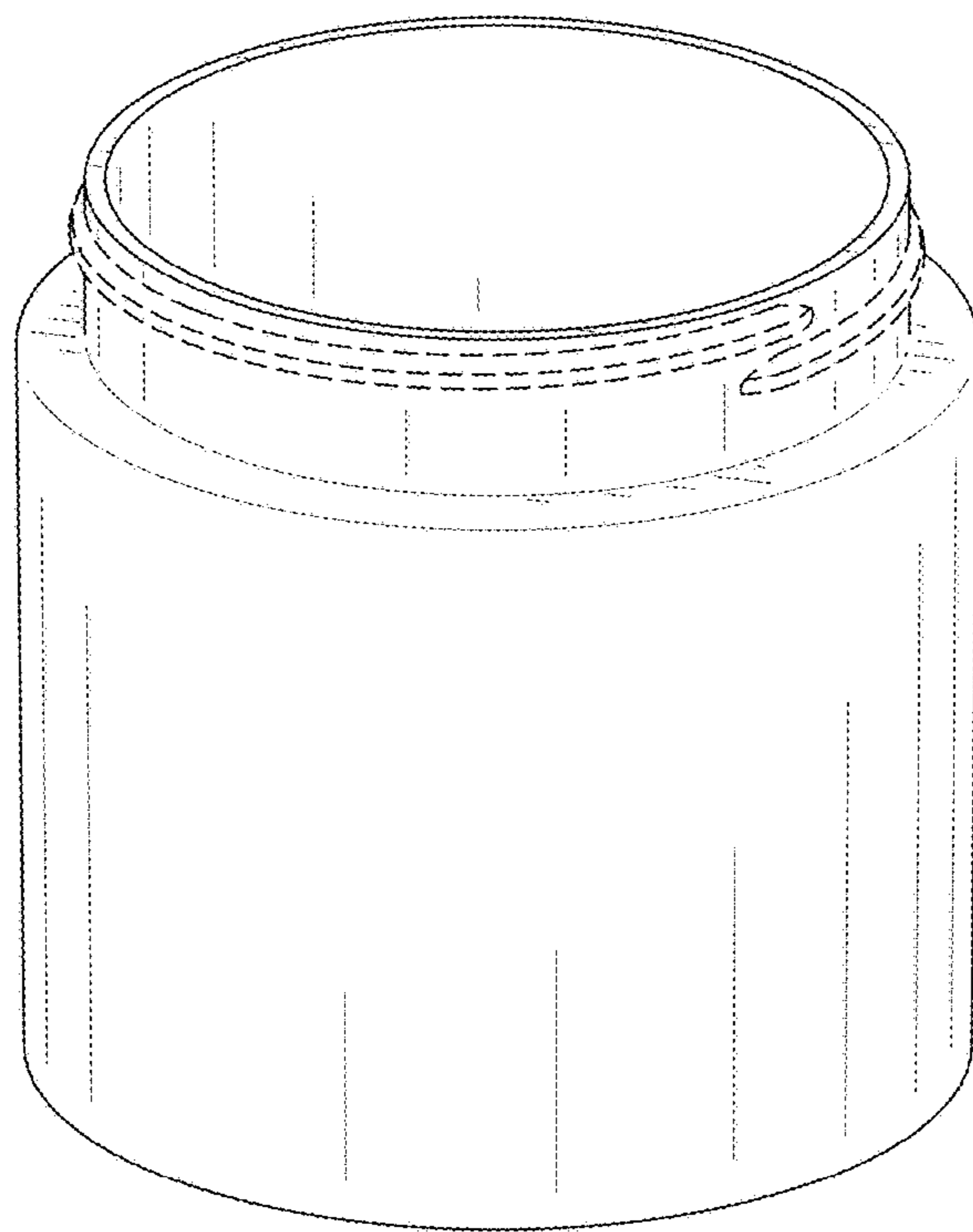


FIG. 1

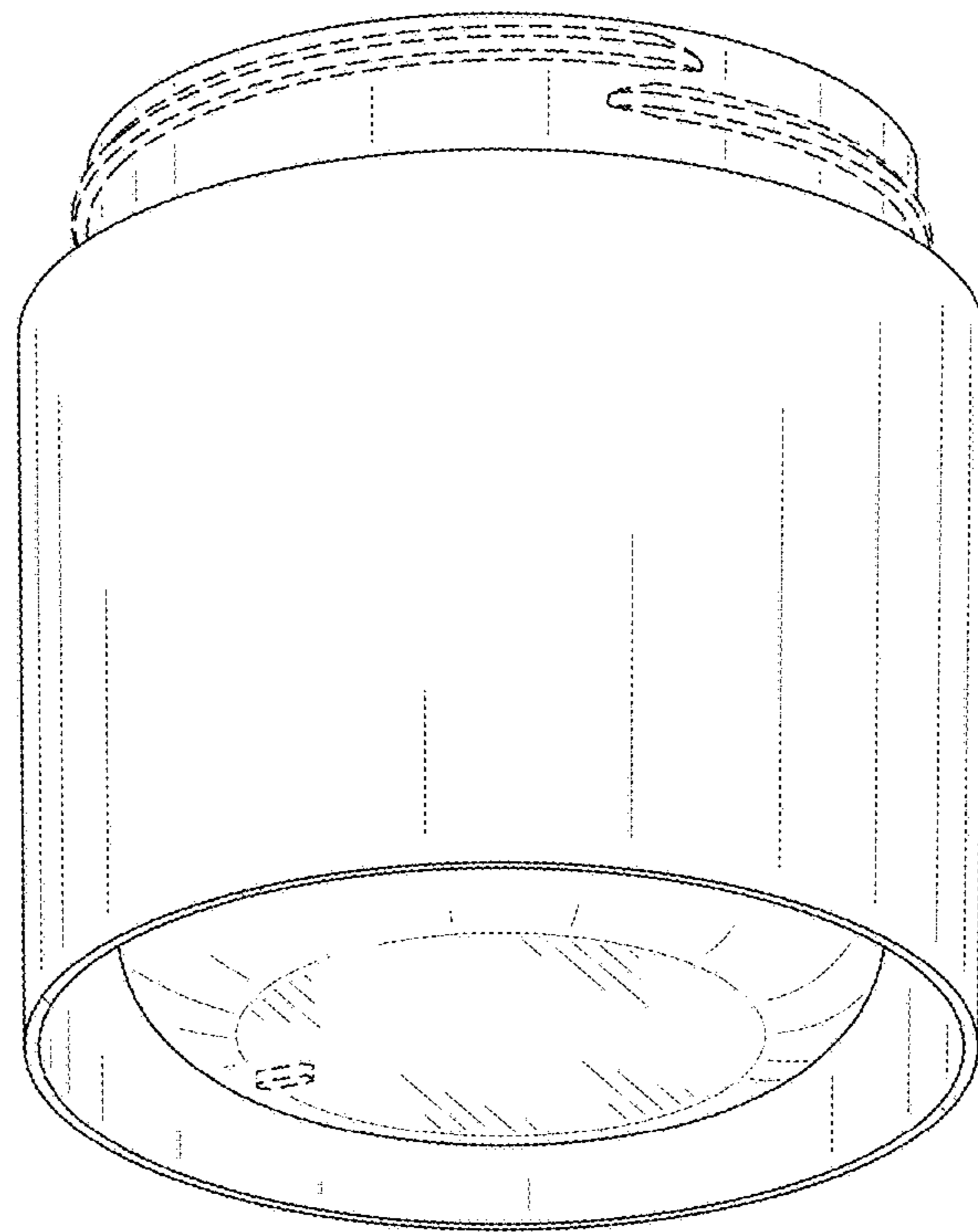


FIG. 2

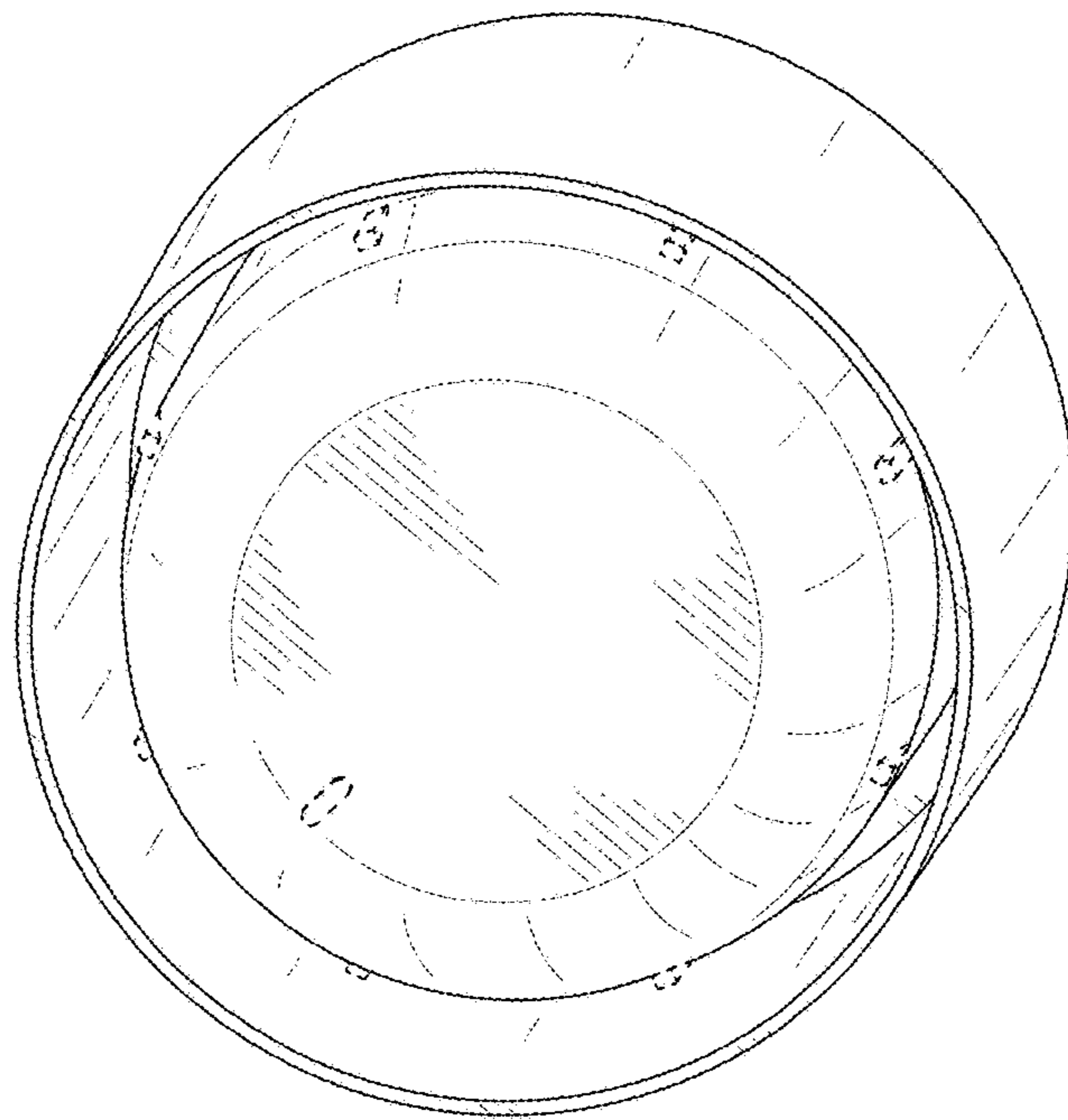


FIG. 3

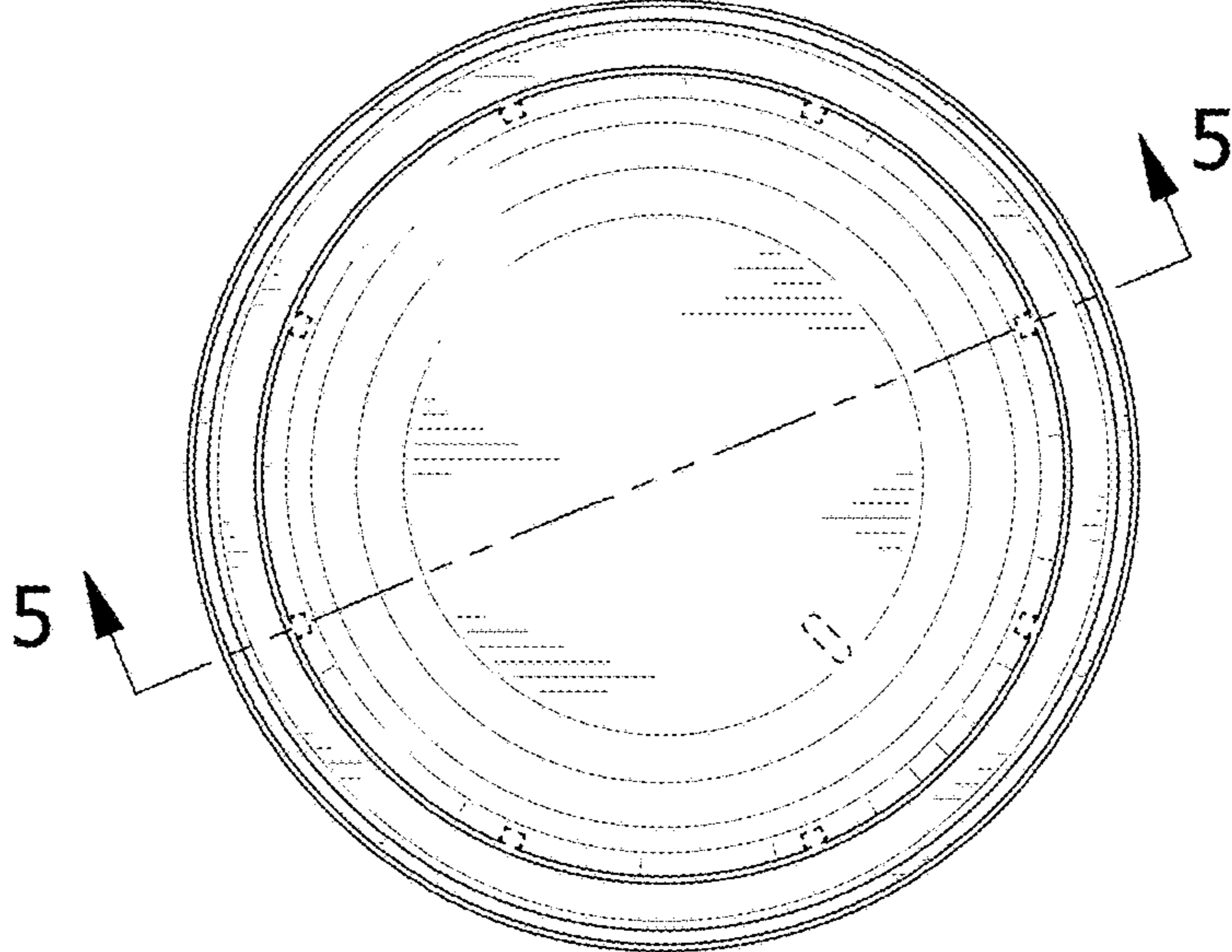


FIG. 4

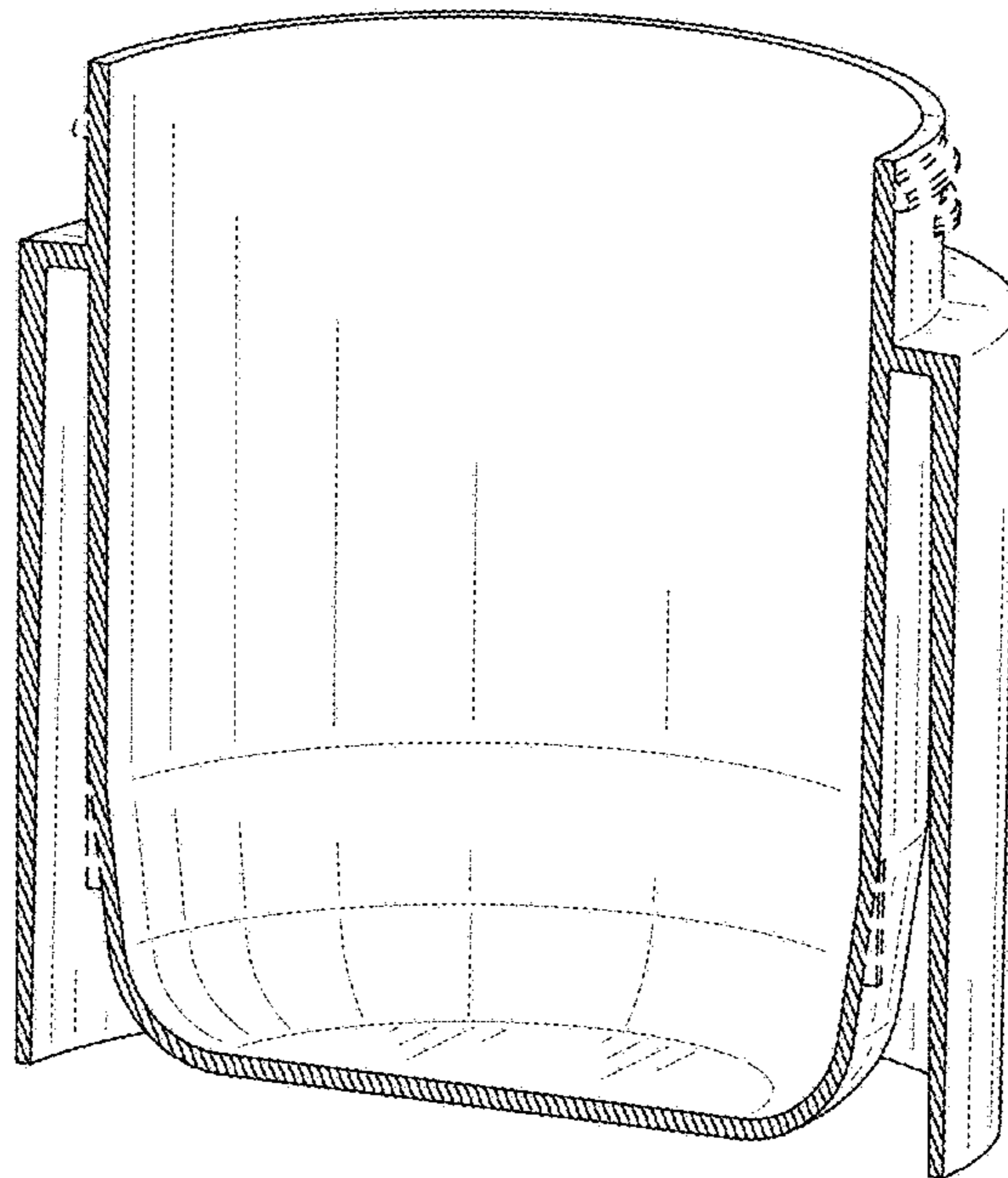


FIG. 5

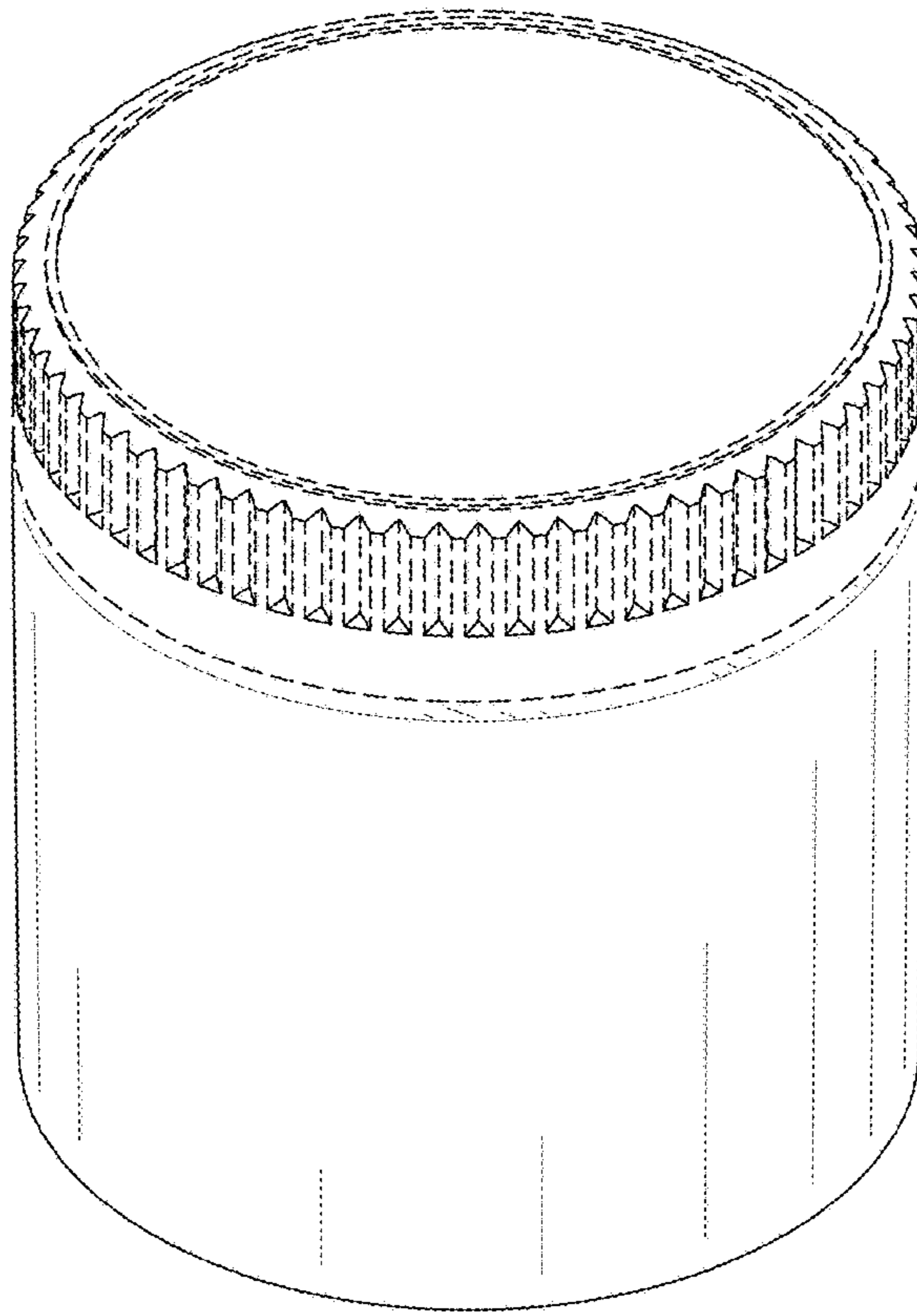


FIG. 6

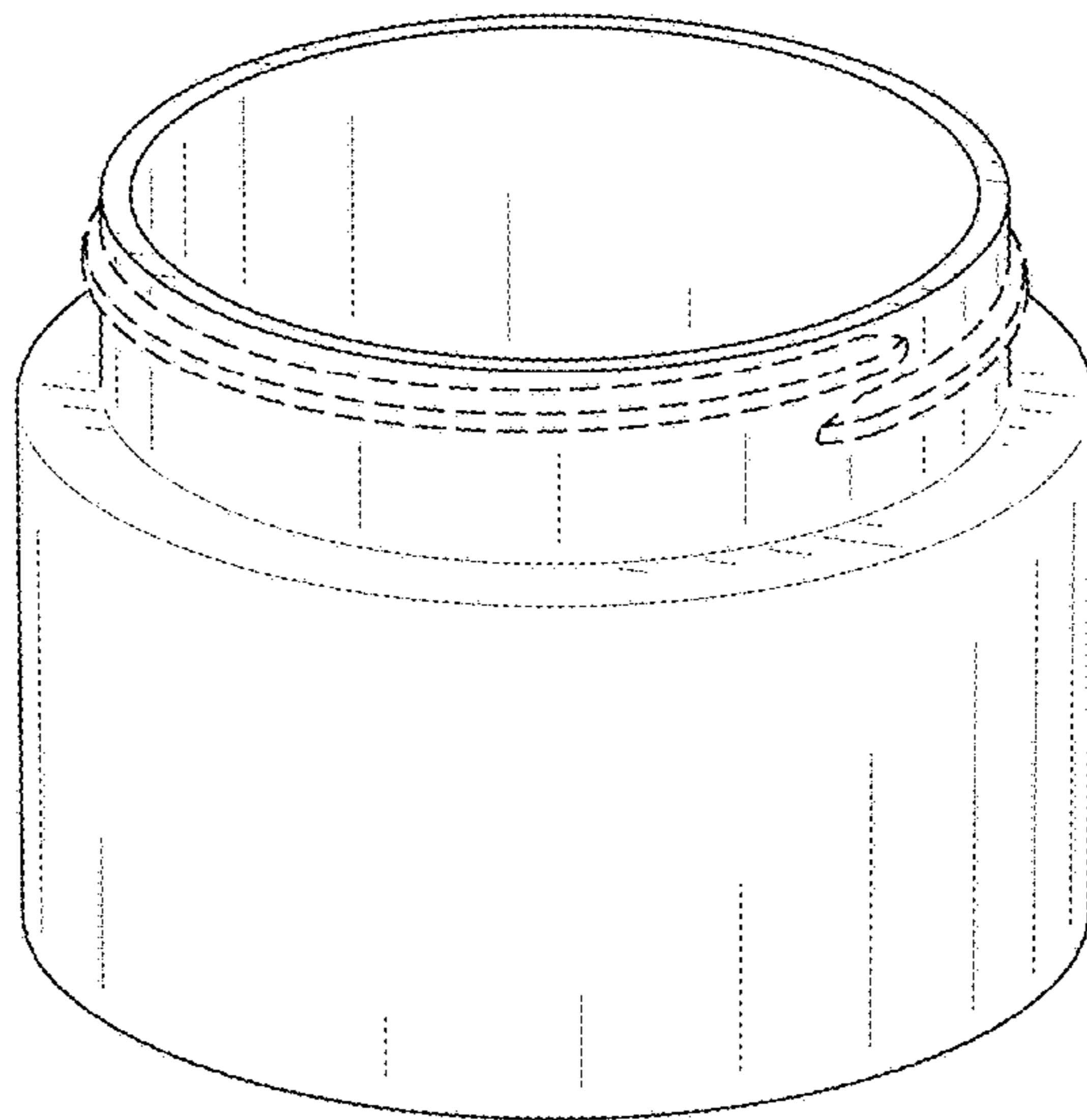


FIG. 7

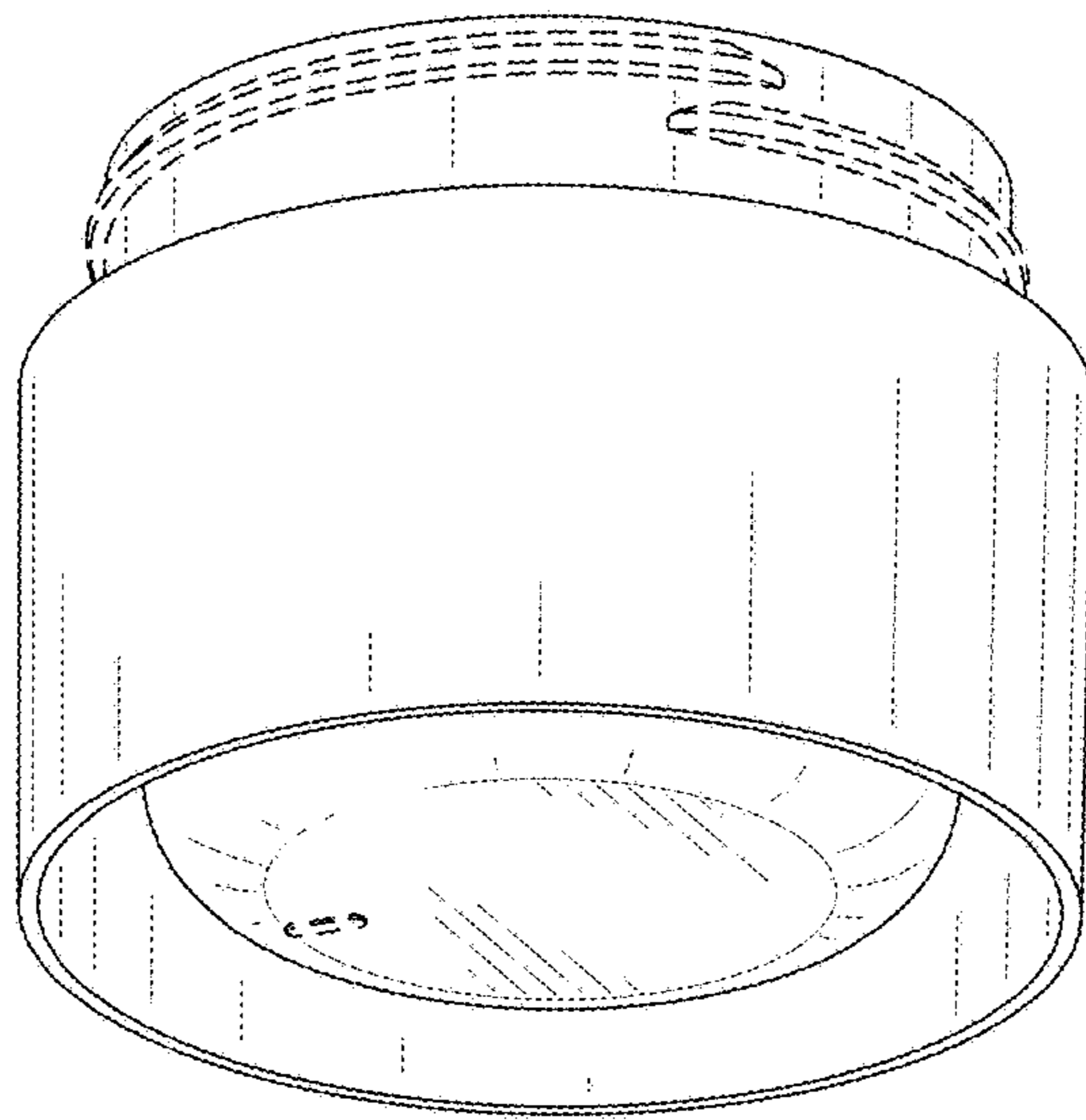


FIG. 8

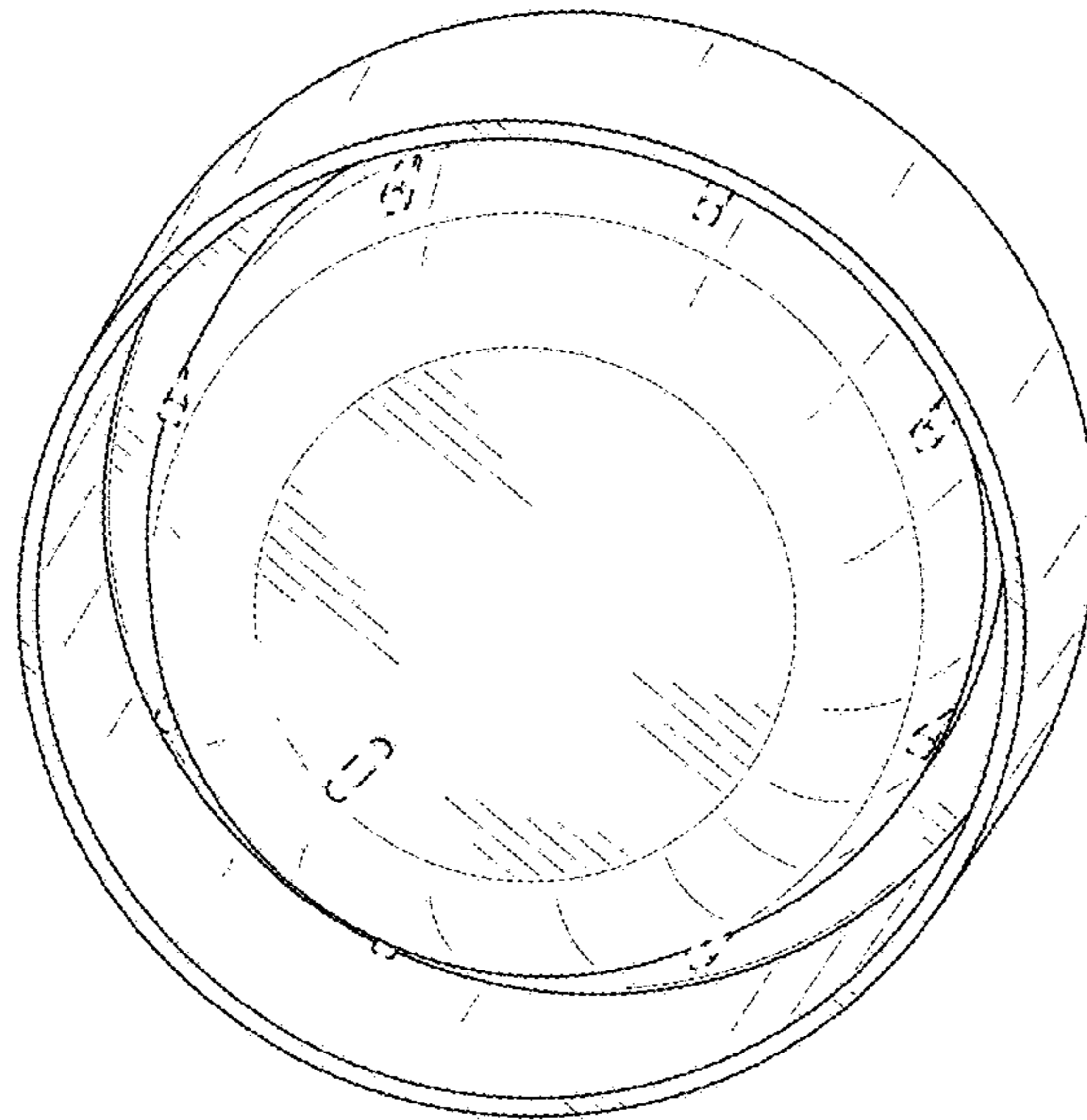


FIG. 9

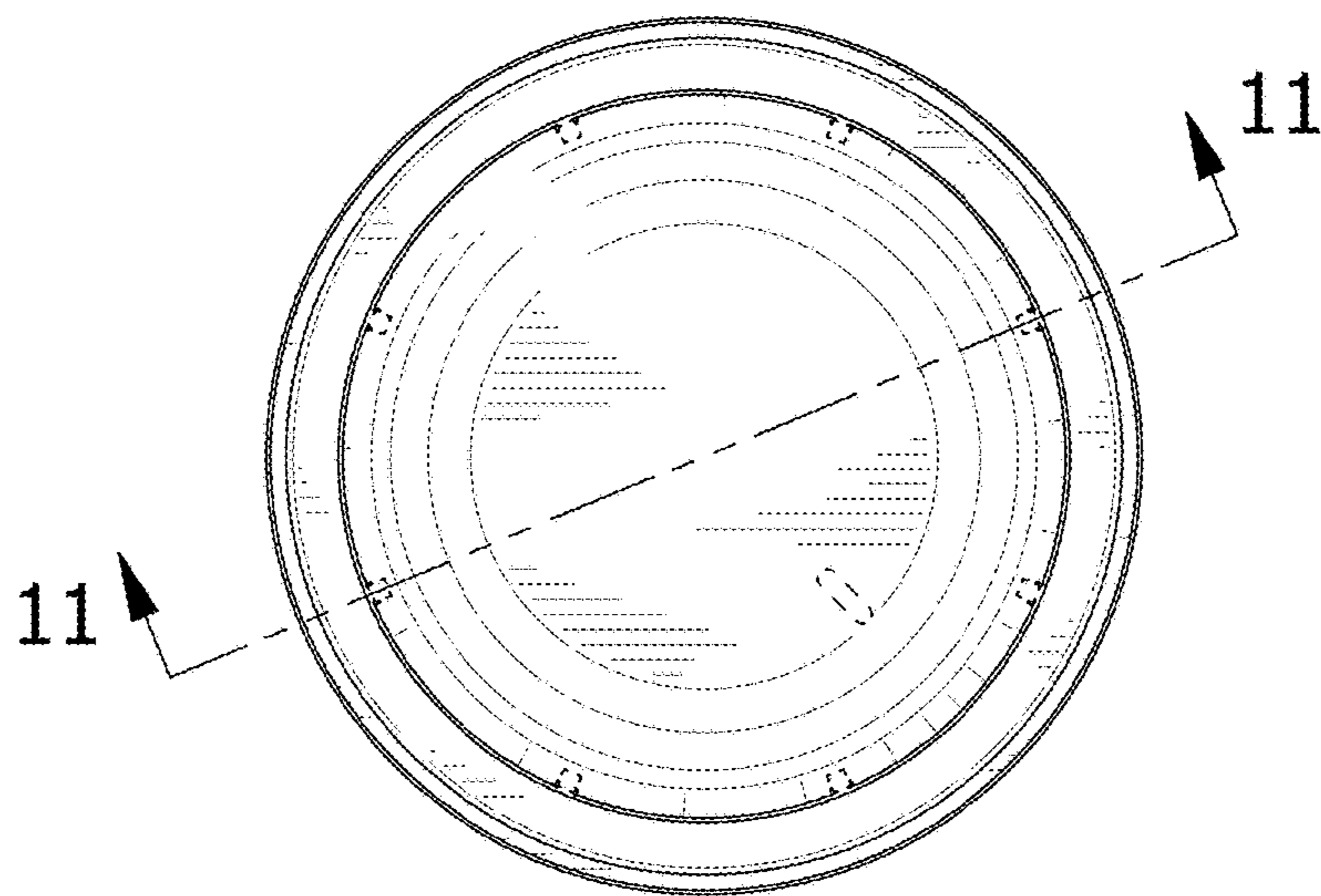


FIG. 10

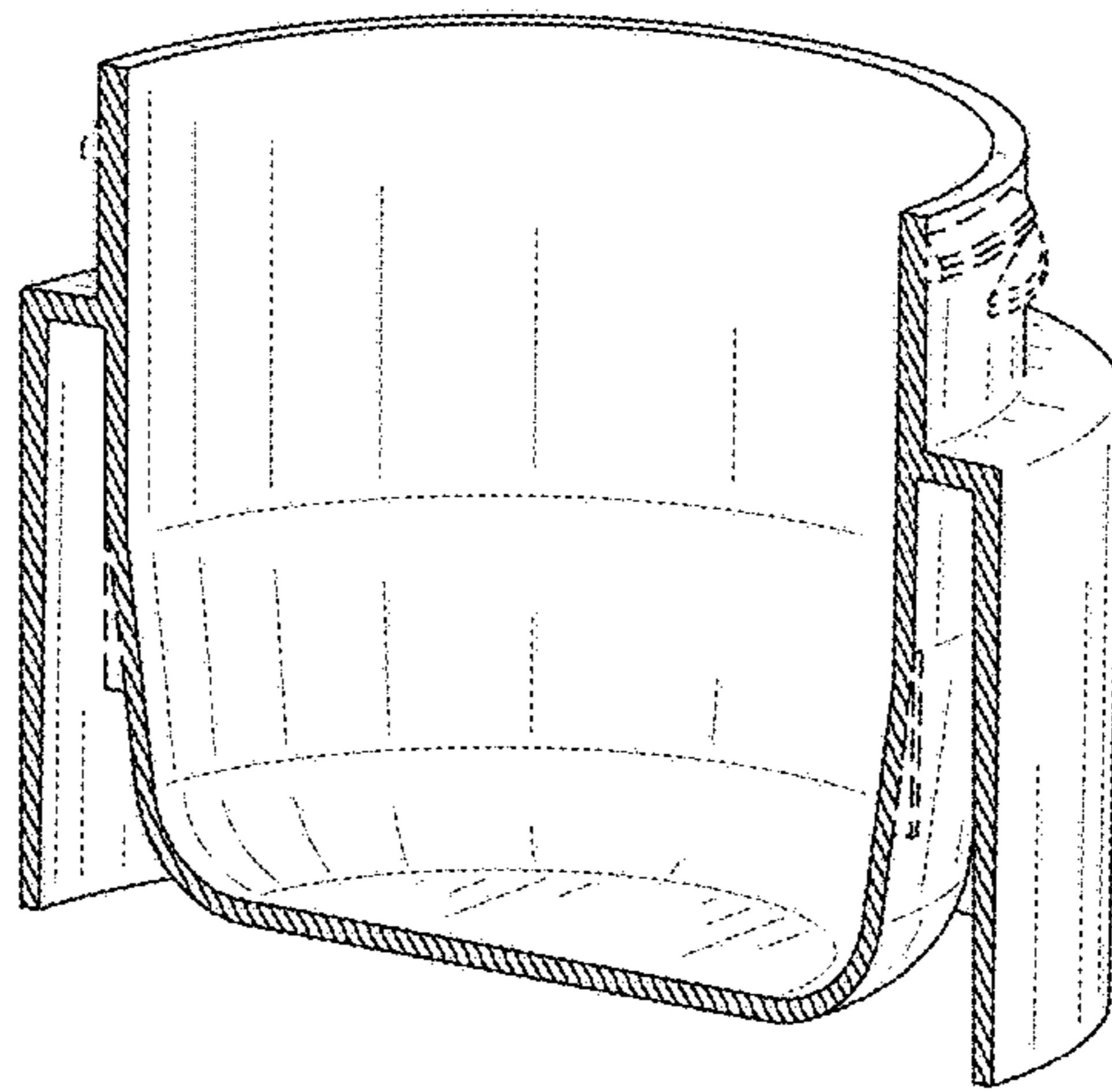


FIG. 11

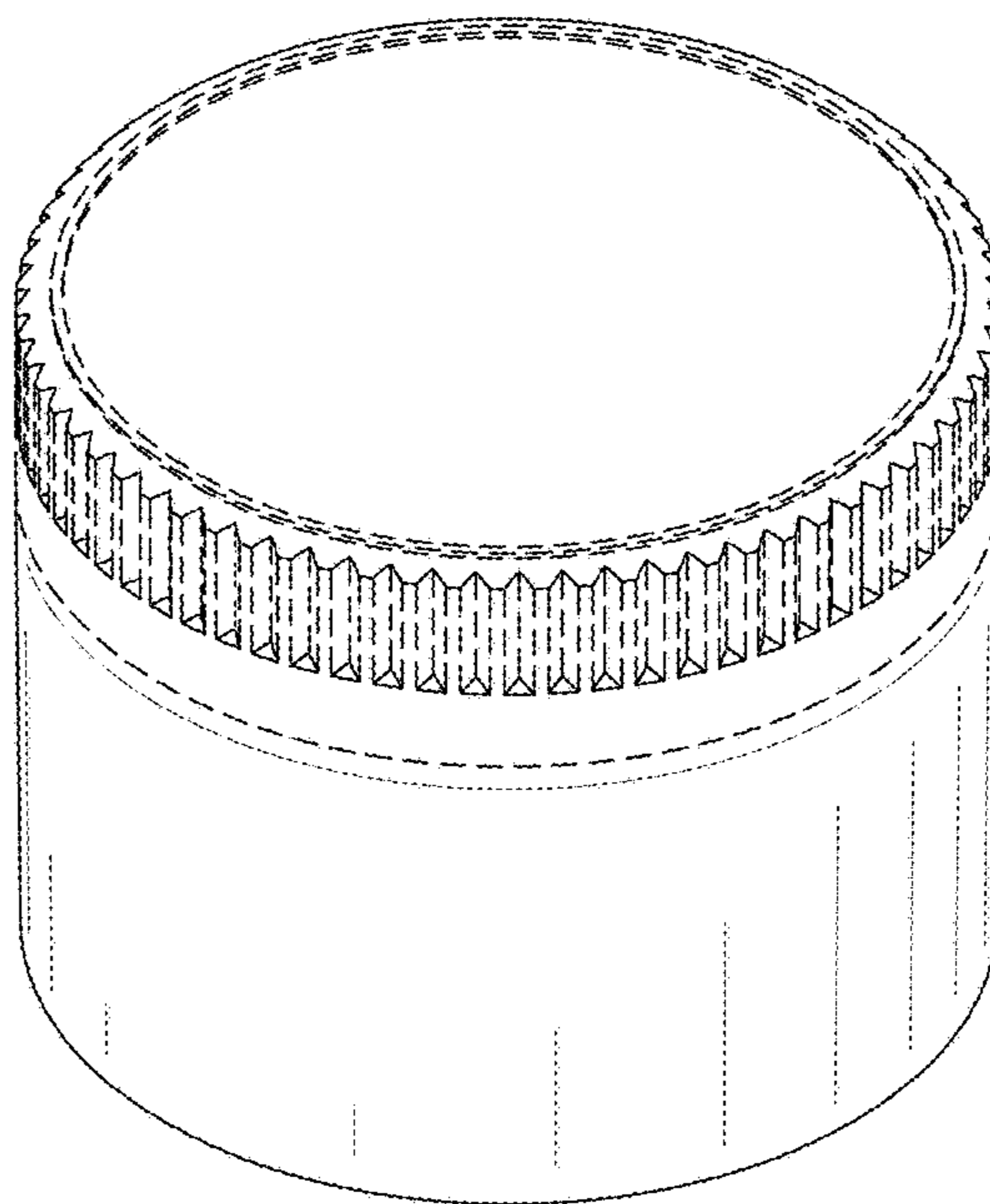


FIG. 12