



US00D860788S

(12) **United States Design Patent**
Abadilla

(10) **Patent No.:** **US D860,788 S**

(45) **Date of Patent:** **** Sep. 24, 2019**

(54) **APPLICATOR**

(71) Applicant: **Arvin Abadilla**, Carlsbad, CA (US)

(72) Inventor: **Arvin Abadilla**, Carlsbad, CA (US)

(**) Term: **15 Years**

(21) Appl. No.: **29/621,968**

(22) Filed: **Oct. 12, 2017**

(51) **LOC (12) Cl.** **09-07**

(52) **U.S. Cl.**

USPC **D9/447**; D9/723

(58) **Field of Classification Search**

USPC D7/392, 392.1, 396.2, 697; D9/434, 436,
D9/443, 446, 499, 442, 447, 695, 697,
D9/723, 726; D28/7

CPC B65D 47/18; B65D 47/121; A45D 34/00;
A45D 34/04; A45D 40/00; A45D
2200/054

See application file for complete search history.

(56) **References Cited**

U.S. PATENT DOCUMENTS

D117,841 S *	11/1939	Hoeter	D9/440
D217,330 S *	4/1970	Conry	D9/440
D307,191 S *	4/1990	Blutenthal	D28/7
D412,107 S *	7/1999	Bosshardt	D9/443
D625,602 S *	10/2010	Schrimpf	D9/447
D668,541 S *	10/2012	McCoy	D9/447
D680,265 S *	4/2013	DeMarco	D28/7
D680,430 S *	4/2013	Nickel	D9/436
D681,456 S *	5/2013	Agarwal	D7/392
D685,948 S *	7/2013	Pires	D28/7
D731,322 S *	6/2015	Seo	D9/697
D769,714 S *	10/2016	Kozu	D9/434
D779,323 S *	2/2017	Masrouf	D9/443
D821,872 S *	7/2018	Mahler	D9/447
2019/0053606 A1 *	2/2019	Thorpe	A45D 34/041

OTHER PUBLICATIONS

Amazon. Tush Swiper Review—Mizcheffy. Nov. 3, 2018. <URL:https://www.amazon.com/gp/customer-reviews/R3KCPLRSX0IM7C/ref=cm_cr_dp_d_rvw_ttl?ie=UTF8&ASIN=B07FX4H1CC>. (Year: 2018).*

Corinne Salazar. Mommy “Must Haves”. Oct. 4, 2018. <URL:http://corinnesalazar.com/mommy-must-haves/>. (Year: 2018).*

SD Voyager. Meet Arvin Abadilla of Eli & Ali Baby in North County. Aug. 16, 2018. <URL:http://sdvoyager.com/interview/meet-arvin-abadilla-eli-ali-baby-north-county-carlsbad/>. (Year: 2018).*

* cited by examiner

Primary Examiner — George D. Kirschbaum

Assistant Examiner — Darcey E Gottschalk

(74) *Attorney, Agent, or Firm* — Eric Hanscom

(57) **CLAIM**

The ornamental design for an applicator, as shown and described.

DESCRIPTION

FIG. 1 is a front, perspective view of an applicator showing my new design;

FIG. 2 is a back, perspective view showing my new design;

FIG. 3 is a front view thereof;

FIG. 4 is a back view thereof;

FIG. 5 is a left-side view thereof;

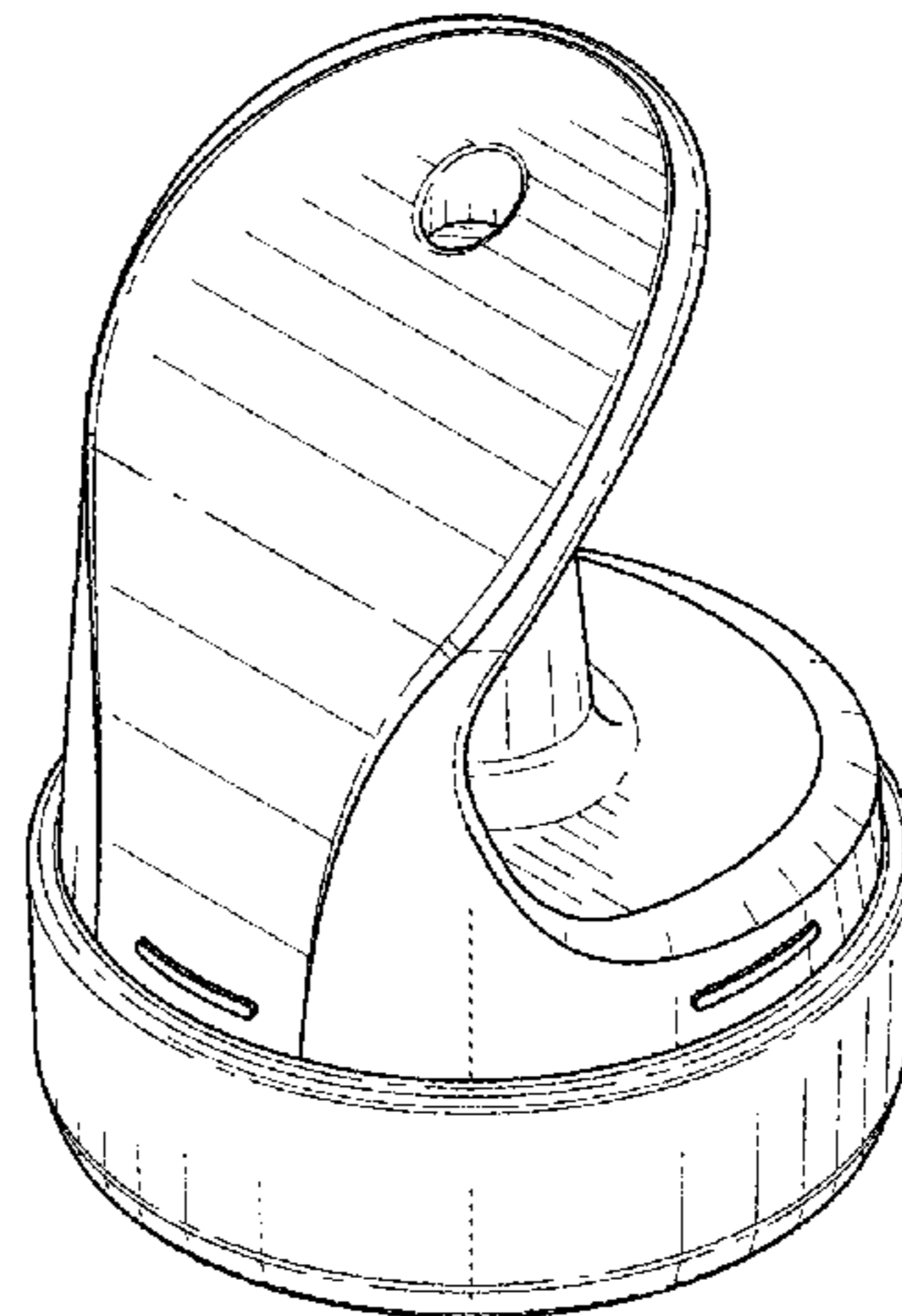
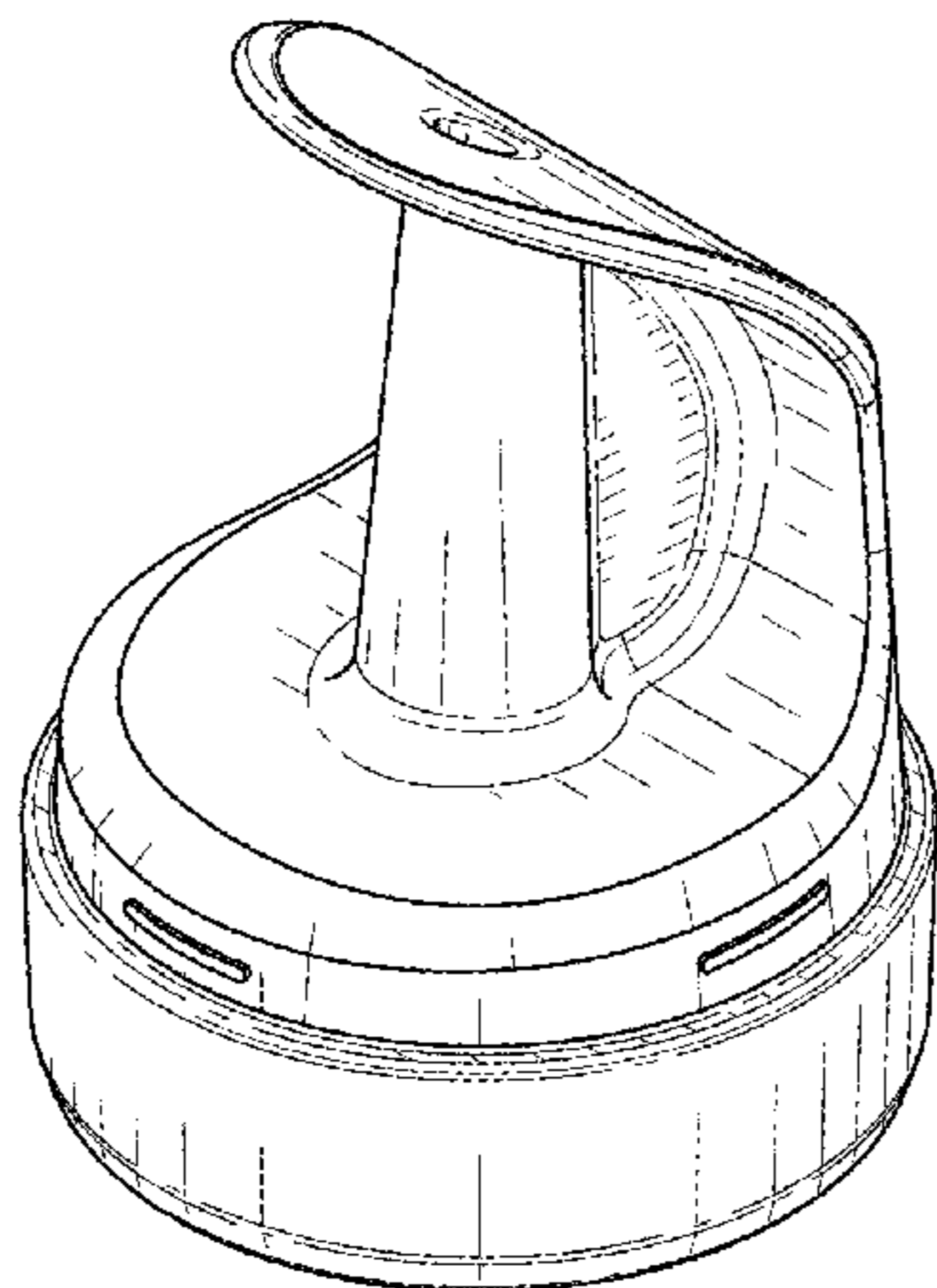
FIG. 6 is a right-side view thereof;

FIG. 7 is a top view thereof; and,

FIG. 8 is a bottom view thereof.

The broken lines shown in the drawings are included for the purpose of illustrating environmental structure and form no part of the claimed design. In particular, in FIG. 8, the entire underside of the invention is disclaimed inside of the broken line directly inside the outer contour line. In all, there are five concentric broken line circles showing in FIG. 8; all of these are disclaimed as is the surface area within all five circles.

1 Claim, 4 Drawing Sheets



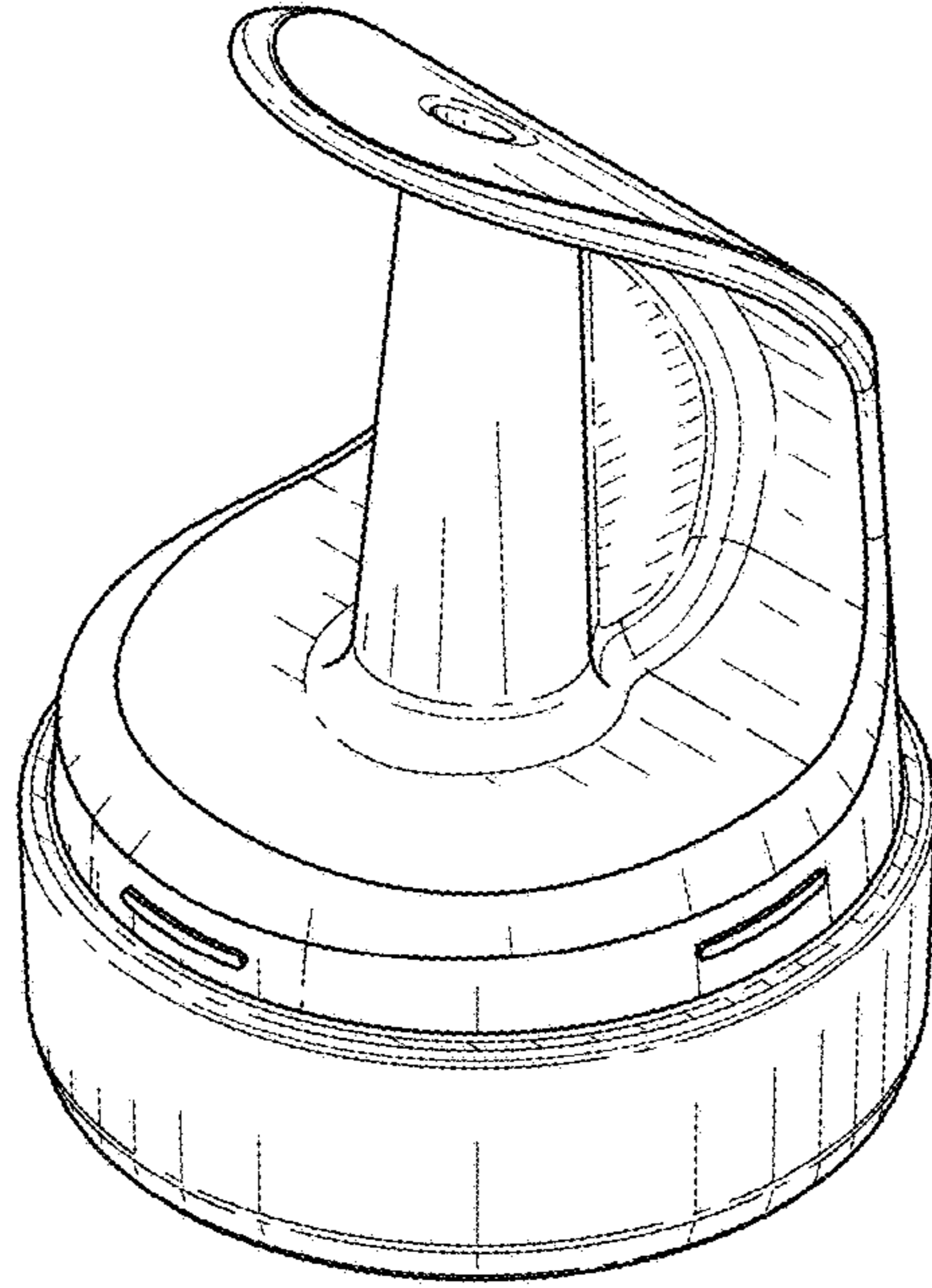


FIG. 1

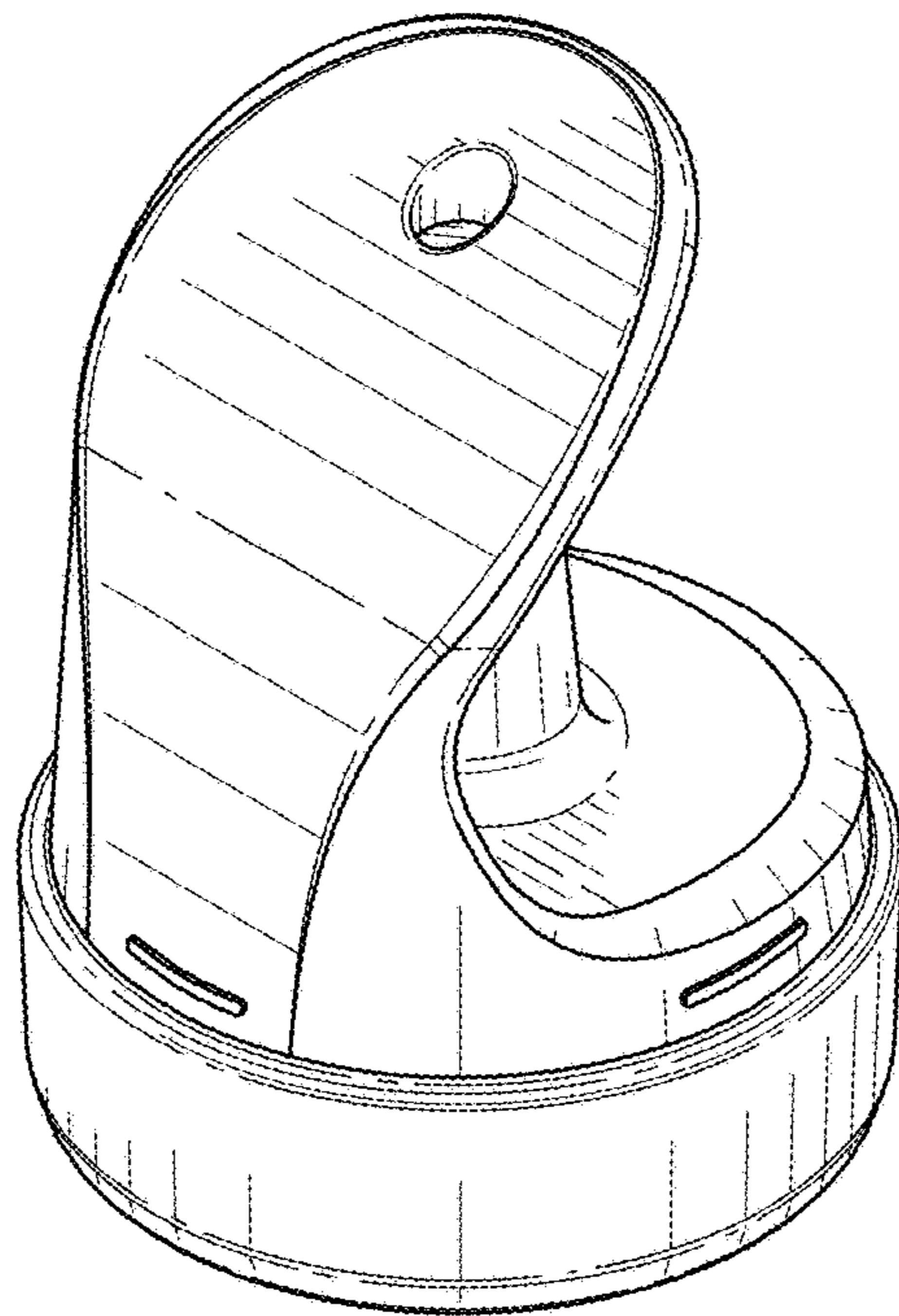


FIG. 2

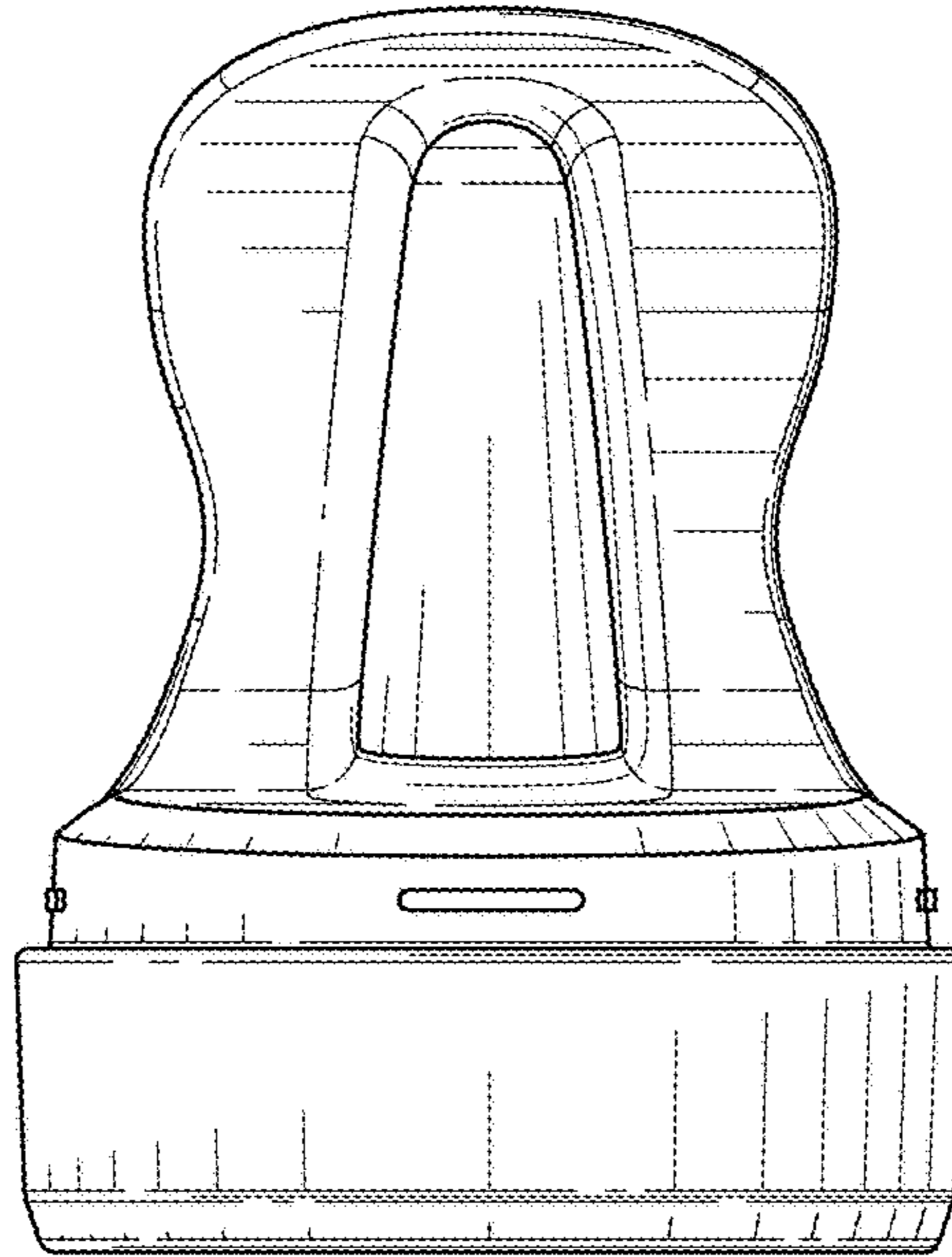


FIG. 3

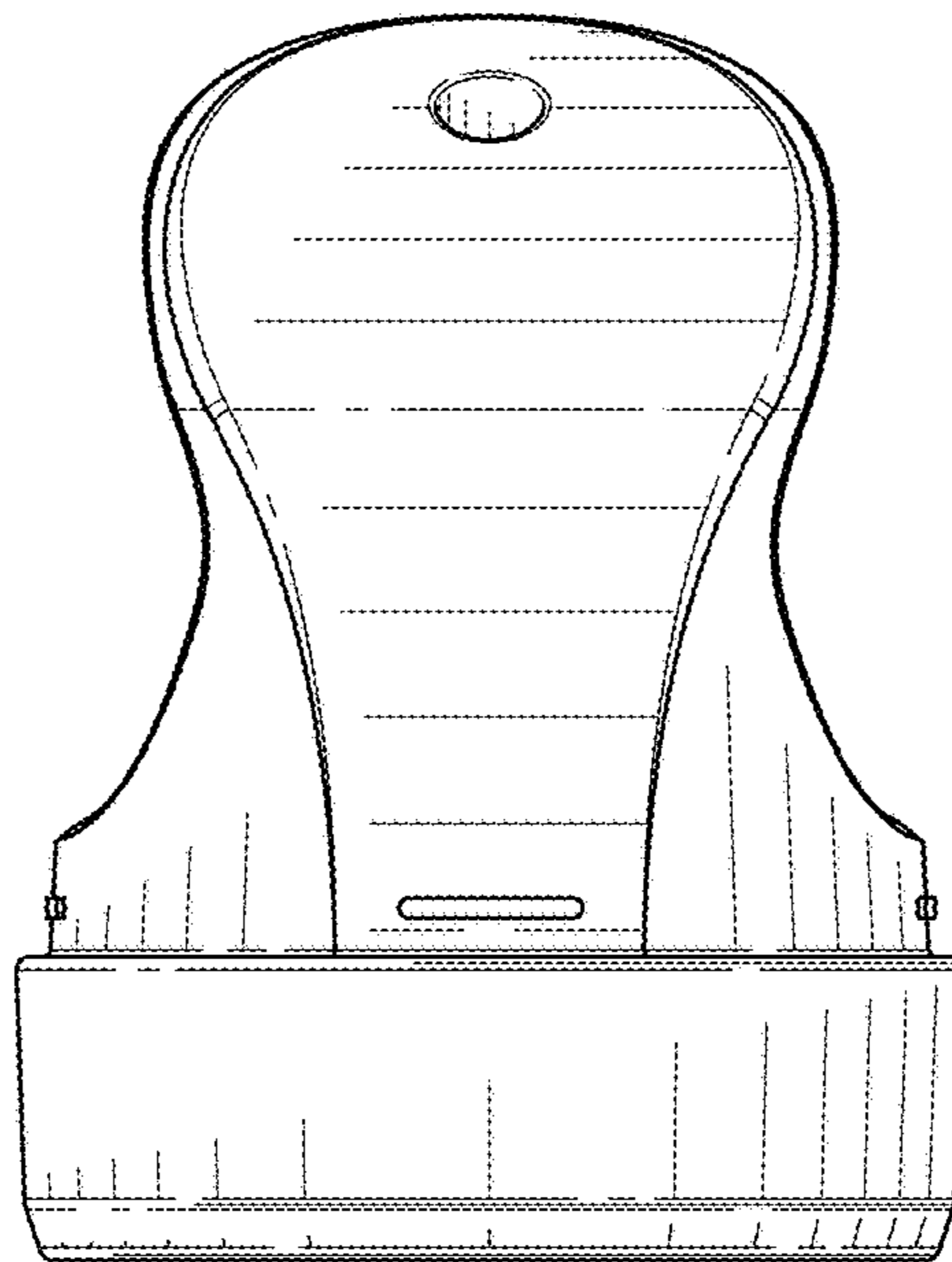


FIG. 4

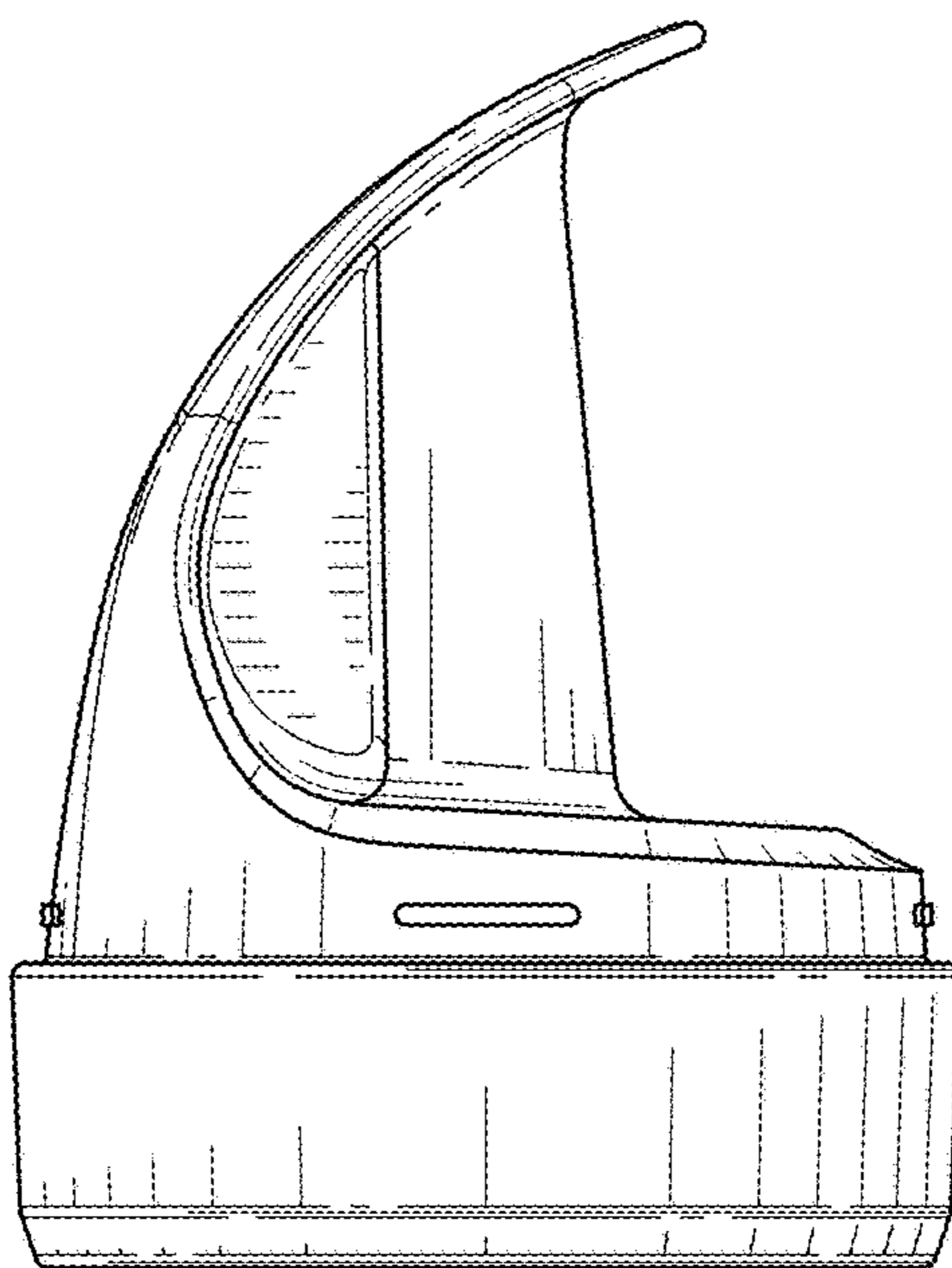


FIG. 5

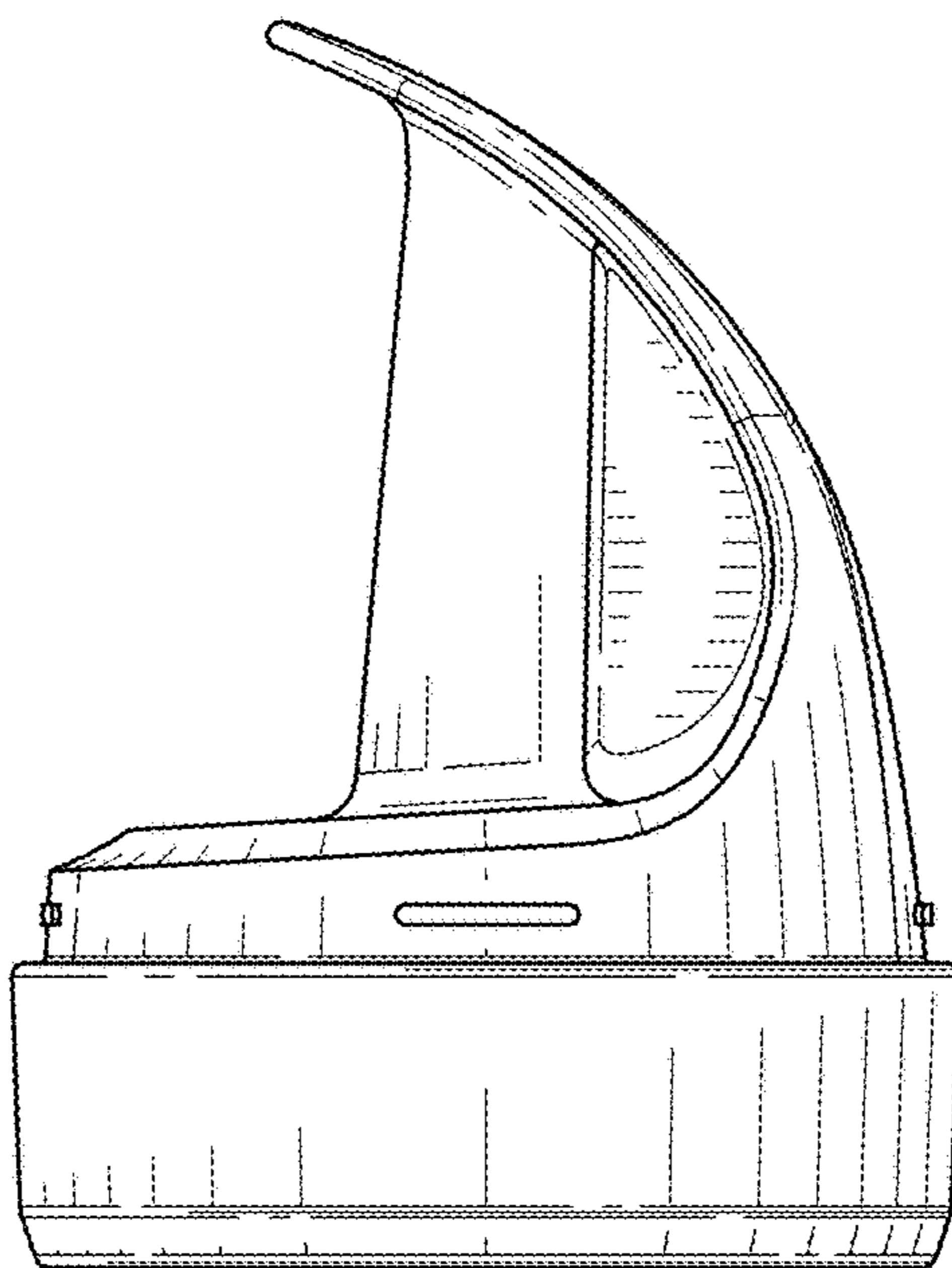


FIG. 6

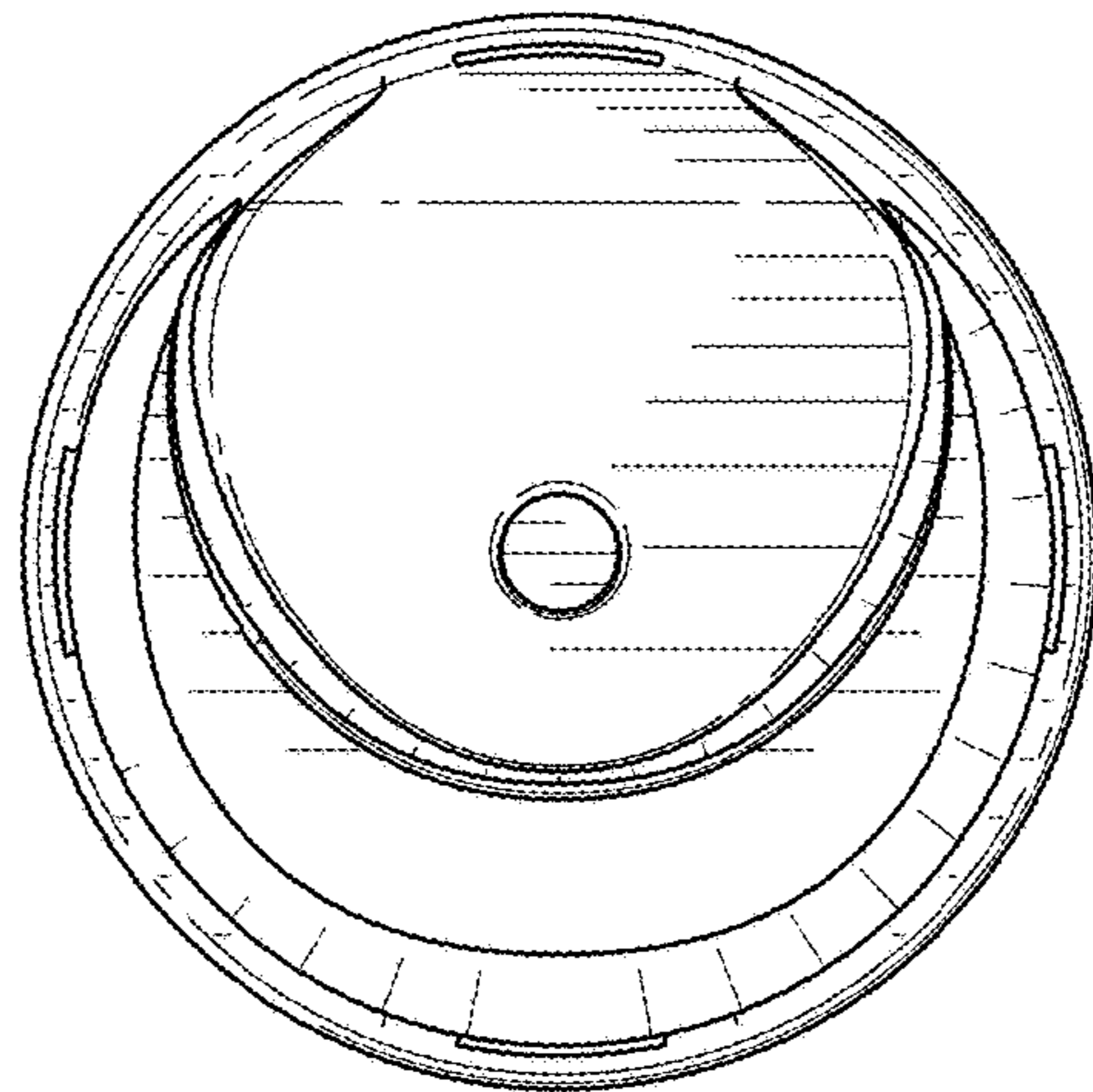


FIG. 7

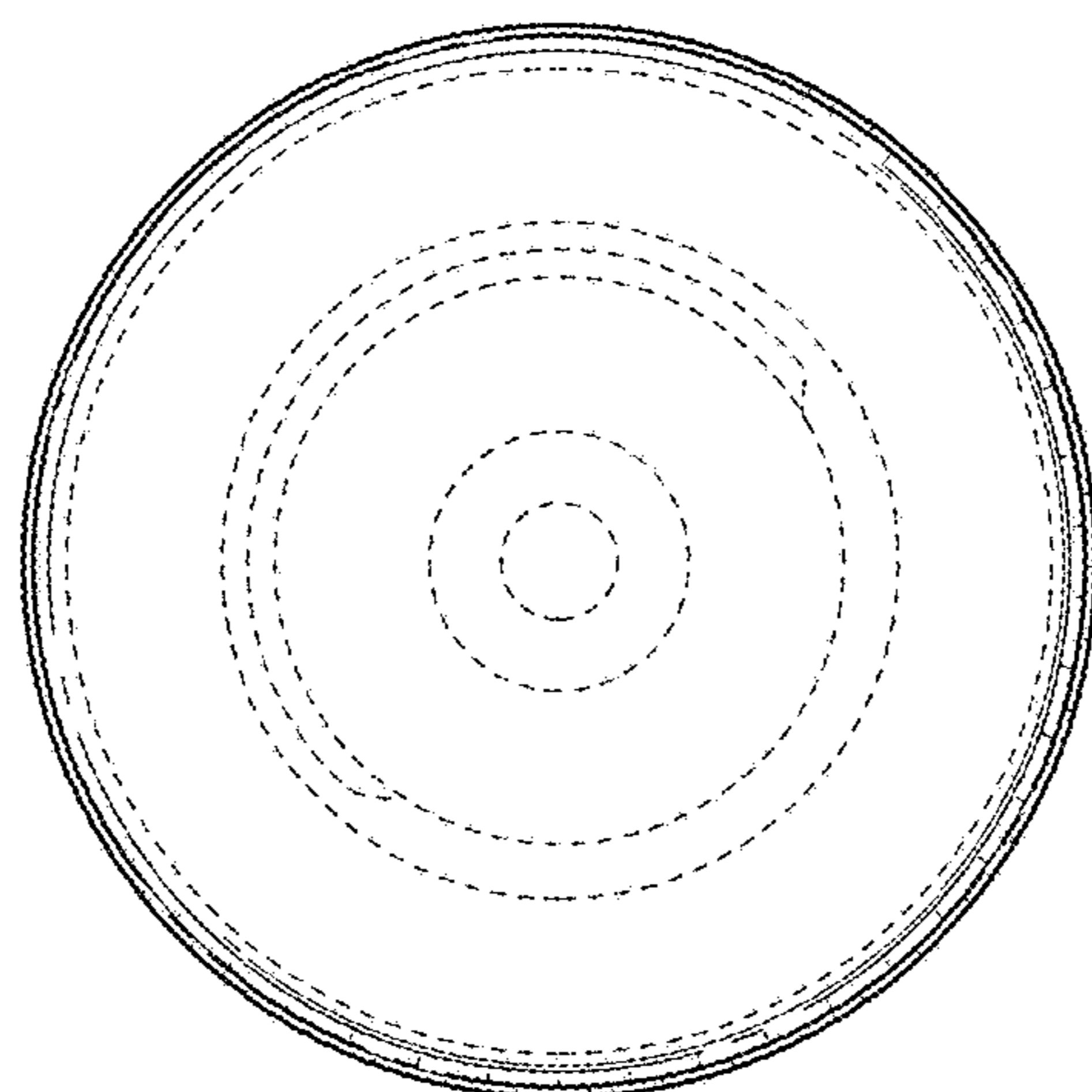


FIG. 8