



US00D860787S

(12) **United States Design Patent**
Krokonko

(10) **Patent No.:** **US D860,787 S**

(45) **Date of Patent:** **** Sep. 24, 2019**

(54) **CAP FOR TUBE CONTAINER**

(56) **References Cited**

(71) Applicant: **GI SUPPLY**, Camp Hill, PA (US)

U.S. PATENT DOCUMENTS

(72) Inventor: **Ethan Krokonko**, Harrisburg, PA (US)

D53,911 S * 10/1919 Humphrey D8/DIG. 2
3,170,588 A * 2/1965 Lyon, Jr. B65D 43/0212
220/780

(73) Assignee: **GI SUPPLY**, Mechanicsburg, PA (US)

(Continued)

(**) Term: **15 Years**

OTHER PUBLICATIONS

(21) Appl. No.: **29/657,022**

Spot Ex Endoscopic Tattoo: Announced Jan. 16, 2018 [online]. Site Visited [May 10, 2019]. Available from Internet URL: <https://www.gi-supply.com/product/spot-ex-endoscopic-tattoo/>*

(22) Filed: **Jul. 18, 2018**

(51) **LOC (12) Cl.** **09-07**

(52) **U.S. Cl.**

USPC **D9/435**; D24/127

(58) **Field of Classification Search**

USPC D7/300.2, 387, 388, 391, 392, 392.1, D7/393, 394, 395, 396.1, 396.2, 396.6, D7/397, 398, 403, 509, 510, 511, 566, D7/624.1, 625, 672, 900; D8/300, 303, D8/330, 354, 356, 382, 396; D9/434, D9/435, 436, 437, 438, 443, 448, 449, D9/450, 451, 454, 453, 516, 529, 548, D9/685, 686, 723, 730, 763; D23/206, D23/209, 259, 260, 365; D24/121, 127, D24/194, 196; D28/76, 78, 91.1; D12/133, 174, 178, 191, 222

CPC A61M 5/315; A01G 31/02; A01G 9/0293; B65D 43/0231; B65D 51/24; B65D 83/0038; B65D 17/08; B65D 2517/0062; B65D 2543/0037; B65D 51/245; B65D 50/041; B65D 25/18; B65D 47/122; B65D 47/305; B65D 51/242; B65D 23/00; B65D 1/00; B65D 1/02; B65D 1/0223; B65D 39/08; B44D 3/006; A46B 2200/1046; A46B 17/00; A46B 17/02; A46B 17/06; A46B 17/07; A46B 17/08; A45D 33/04;

(Continued)

Primary Examiner — Jennifer Rivard

Assistant Examiner — Catherine S Posthauer

(74) *Attorney, Agent, or Firm* — Marshall, Gerstein & Borun LLP

(57) **CLAIM**

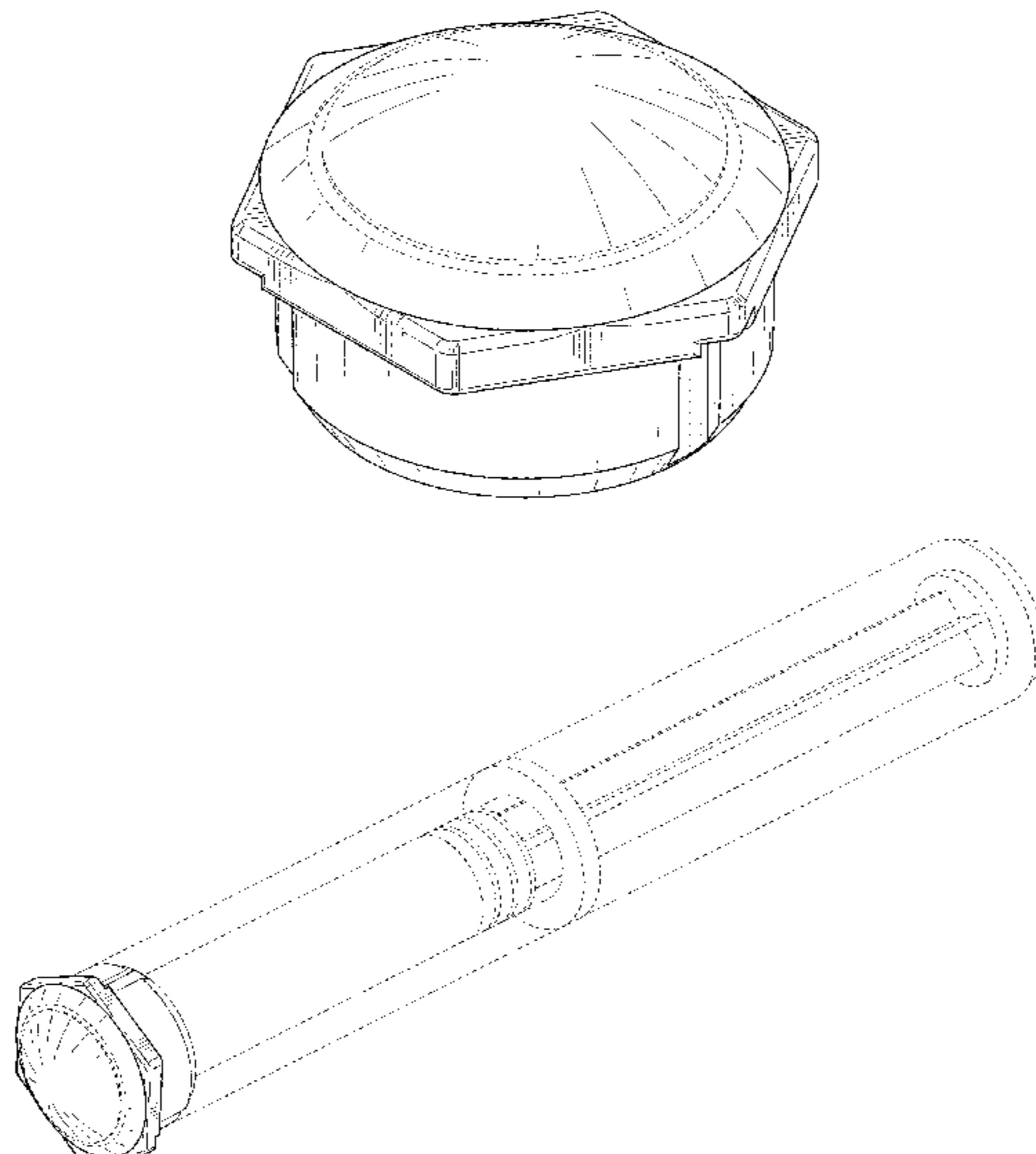
The ornamental design for a cap for tube container, as shown and described.

DESCRIPTION

FIG. 1 is a front perspective view of a cap for tube container of the present invention; FIG. 2 is a front view of the invention illustrated in FIG. 1; FIG. 3 is a rear view of the invention illustrated in FIG. 1; FIG. 4 is a right side view of the invention illustrated in FIG. 1; FIG. 5 is a left side view of the invention illustrated in FIG. 1; FIG. 6 is a top view of the invention illustrated in FIG. 1; FIG. 7 is a bottom view of the invention illustrated in FIG. 1; and, FIG. 8 is a perspective view of the invention illustrated in FIG. 1, in an environmental of use with an exemplary tube container.

The broken line disclosure of the exemplary tube container illustrates the environment, while the remaining broken lines illustrate portions of the article; the broken lines form no part of the claimed design.

1 Claim, 5 Drawing Sheets



US D860,787 S

Page 2

(58) **Field of Classification Search**

CPC .. A45D 34/04; A45D 40/04; A45D 2034/005;
A45D 2040/0043; A45D 2040/0062;
Y02W 30/807; F25D 31/007; F25D 3/06;
F25D 3/08; F25D 2303/081; B21D 51/32;
B21D 51/44; A47G 19/00; A47G
19/2272; A47F 3/14; A47F 3/16
See application file for complete search history.

(56) **References Cited**

U.S. PATENT DOCUMENTS

D257,933 S * 1/1981 Conti D7/391
D261,349 S * 10/1981 Ryser D7/393
5,037,010 A * 8/1991 Dikstein A45D 40/0075
206/804
D377,580 S * 1/1997 Hayes D7/391
D438,755 S * 3/2001 Rae D7/393
D455,077 S * 4/2002 Gaiser D9/449
D477,224 S * 7/2003 Hussain D9/443
D530,202 S * 10/2006 Herald D9/449
D564,877 S * 3/2008 Hood D9/454
D683,580 S * 6/2013 Rosenfeld D7/392

D707,567 S * 6/2014 Callaghan D9/730
D720,596 S * 1/2015 Dams D8/312
D727,730 S * 4/2015 Buschmann D9/449
D733,558 S * 7/2015 Wyne D9/436
D748,240 S * 1/2016 Goode D24/101
D775,951 S * 1/2017 Wang D7/392.1
D808,712 S * 1/2018 Steininger D7/396.2
D820,086 S * 6/2018 Lynd D9/454
D846,987 S * 4/2019 Neputy D9/453
2004/0110435 A1 * 6/2004 Cross B63J 99/00
440/88 F
2006/0124501 A1 * 6/2006 McNeely A61J 7/04
206/534
2006/0201838 A1 * 9/2006 Sasaki A45D 40/10
206/385
2009/0230003 A1 * 9/2009 Thiellier A24F 23/00
206/247
2013/0022387 A1 * 1/2013 Purizhansky A45D 34/04
401/262
2014/0054010 A1 * 2/2014 Peters F25D 31/002
165/104.11
2015/0307244 A1 * 10/2015 Tamarindo B65D 41/3404
215/228
2018/0177277 A1 * 6/2018 Dinata A45D 33/008

* cited by examiner

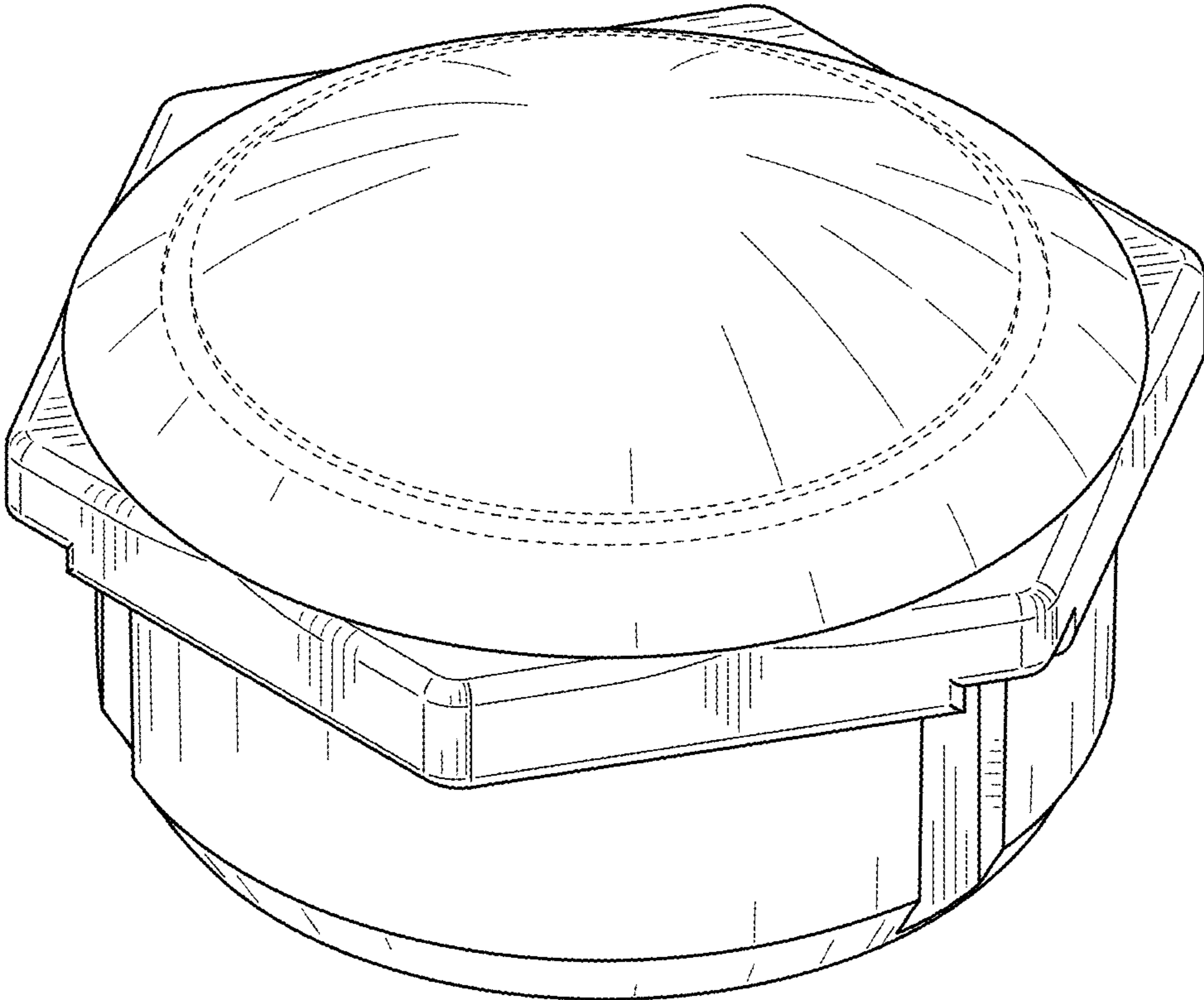


FIG. 1

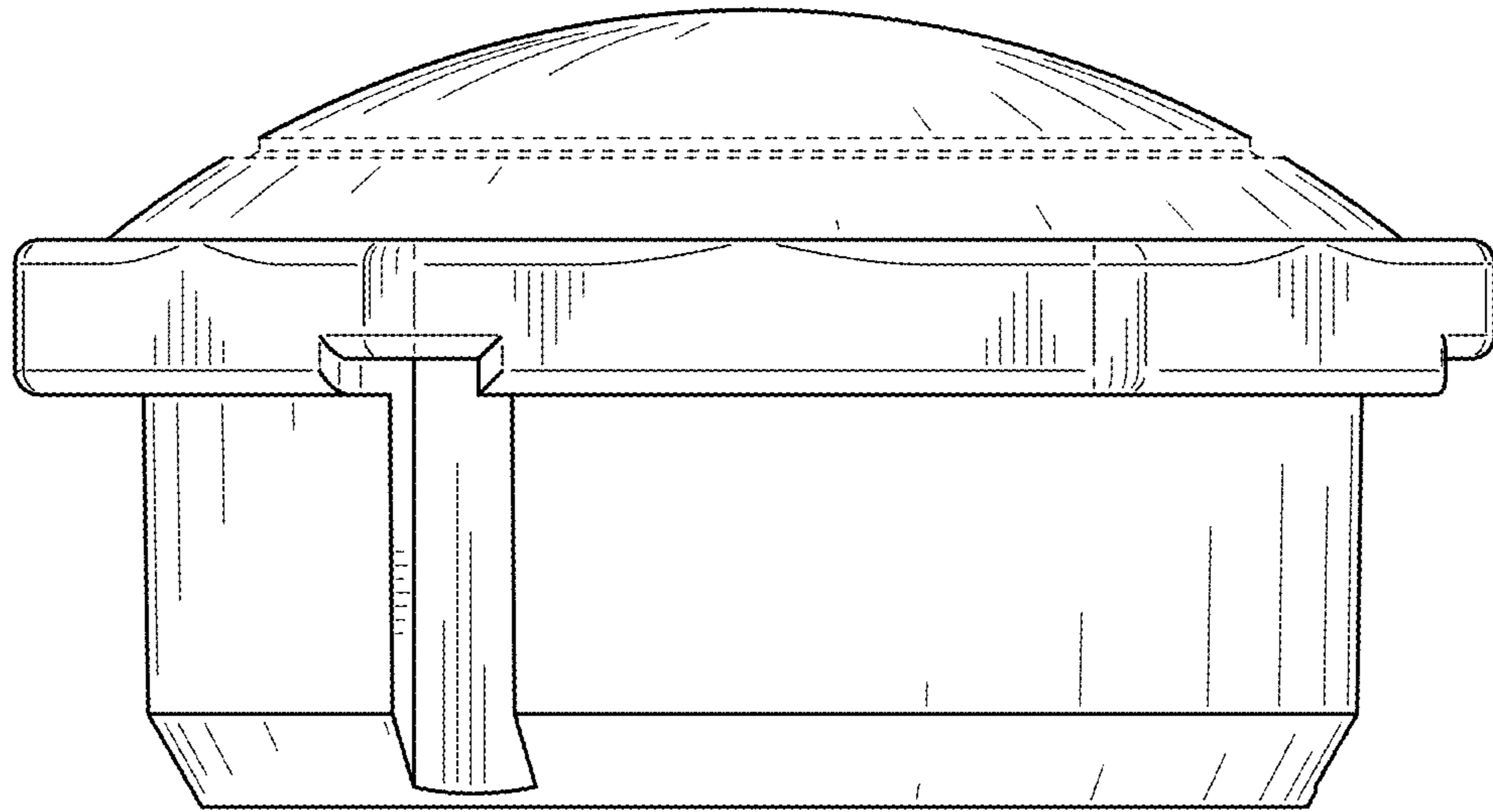


FIG. 2

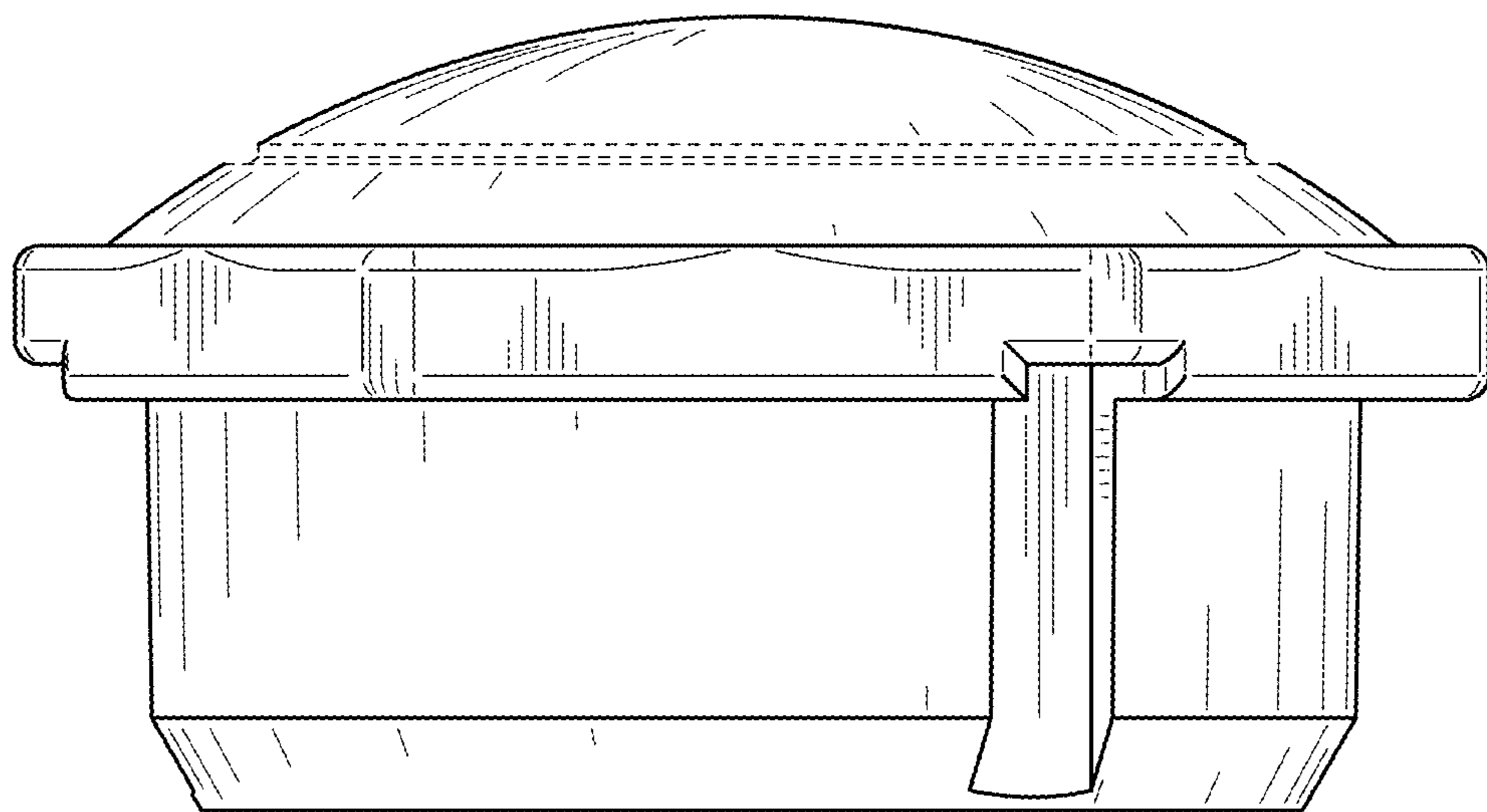


FIG. 3

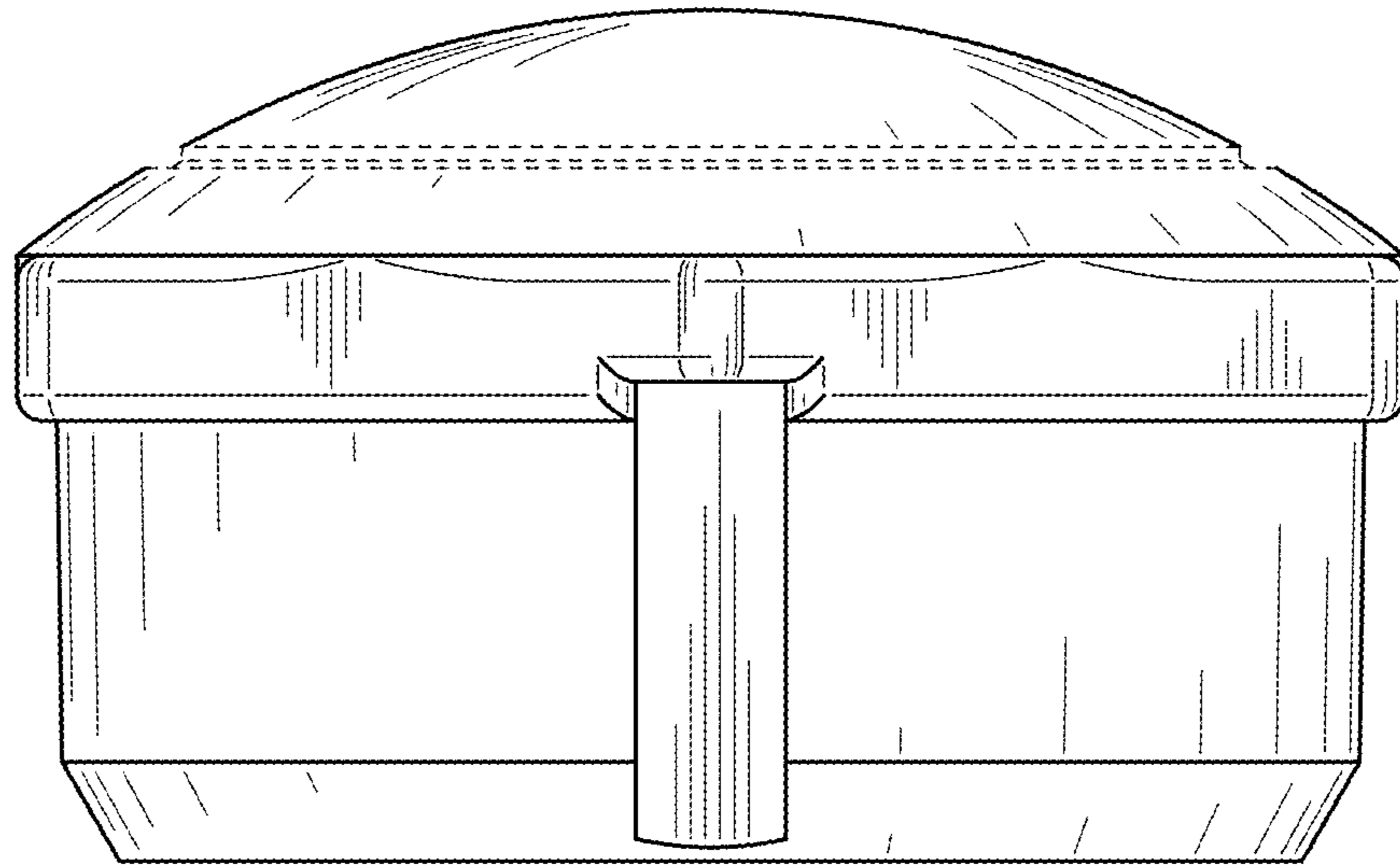


FIG. 4

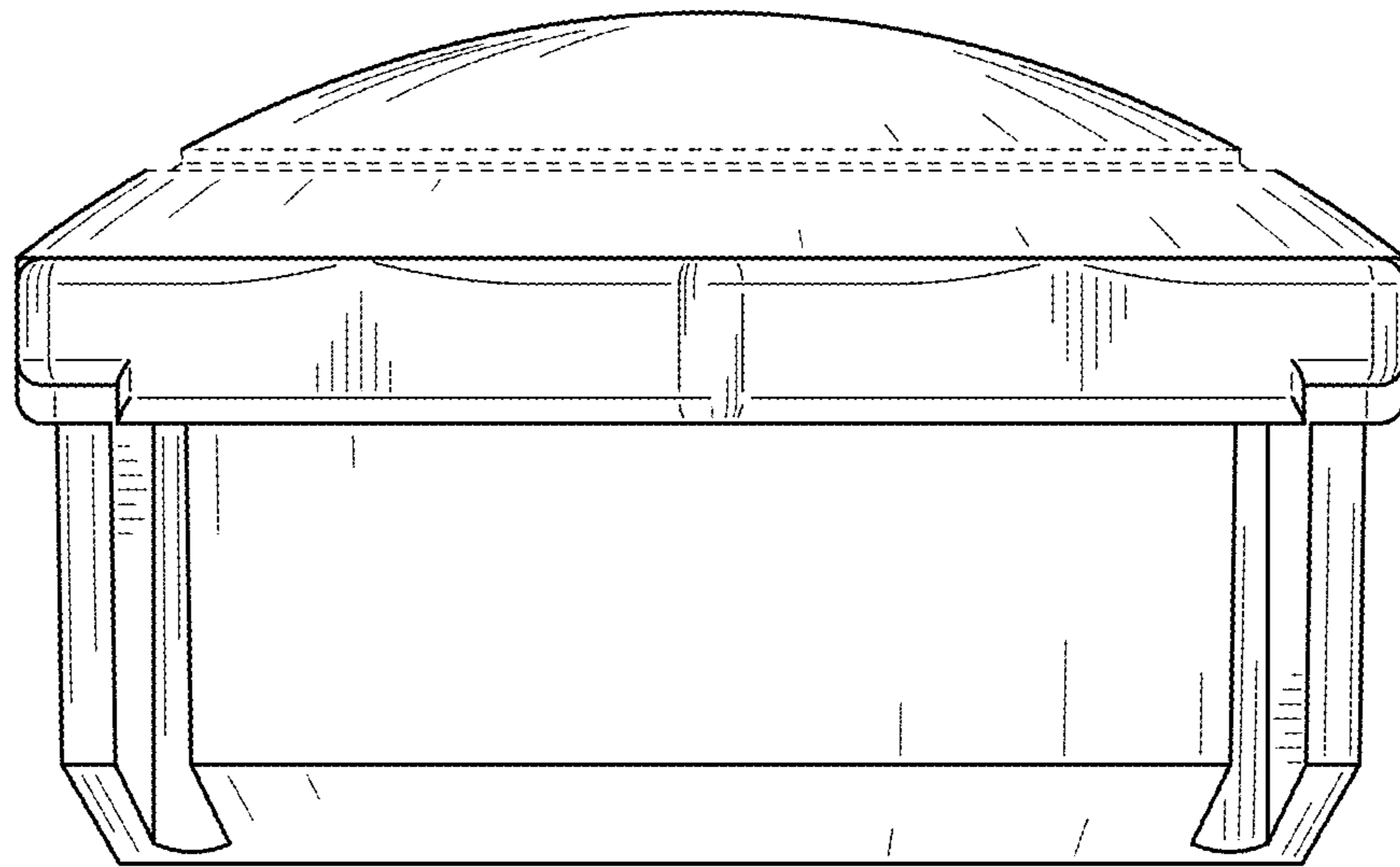


FIG. 5

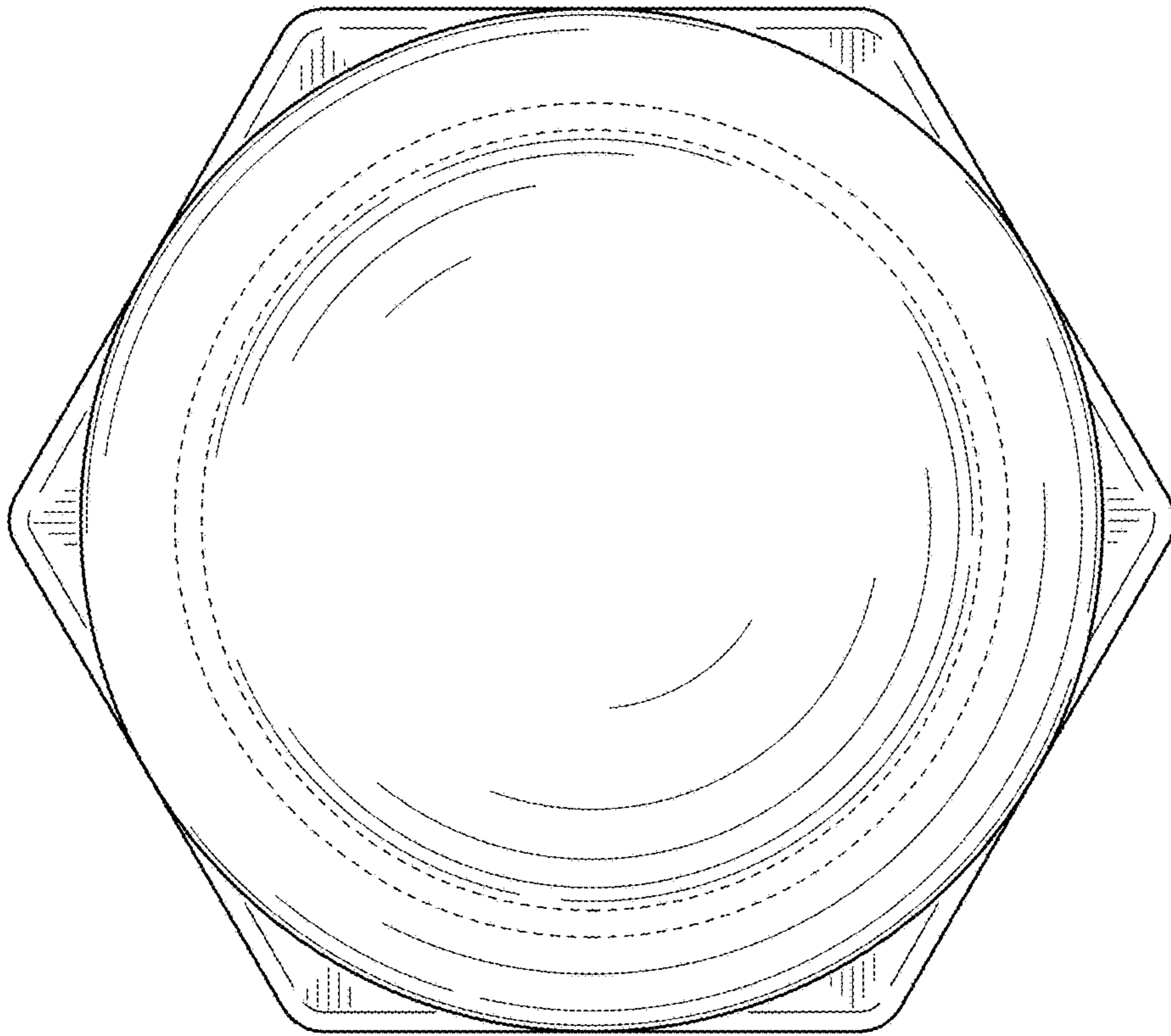


FIG. 6

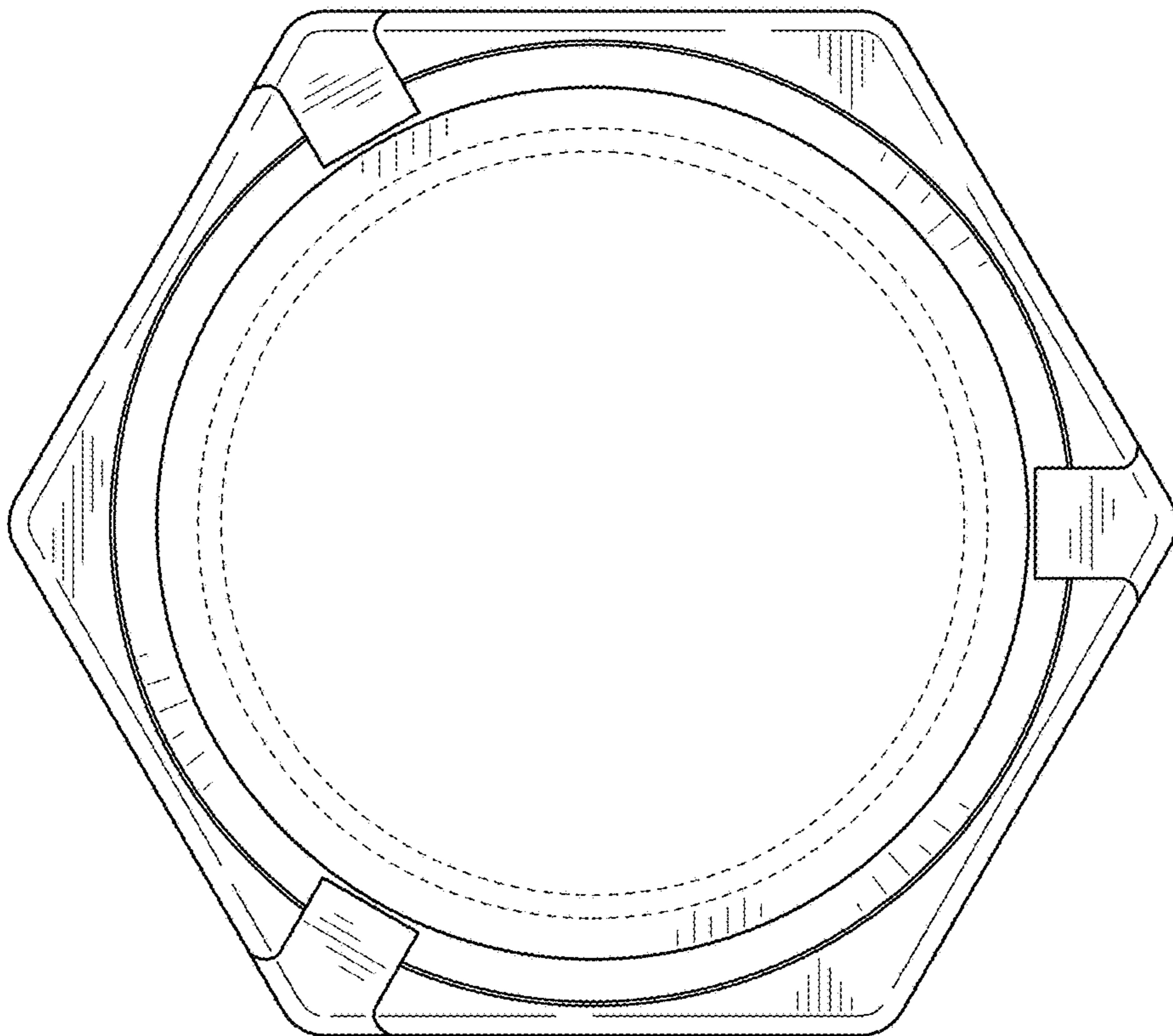


FIG. 7

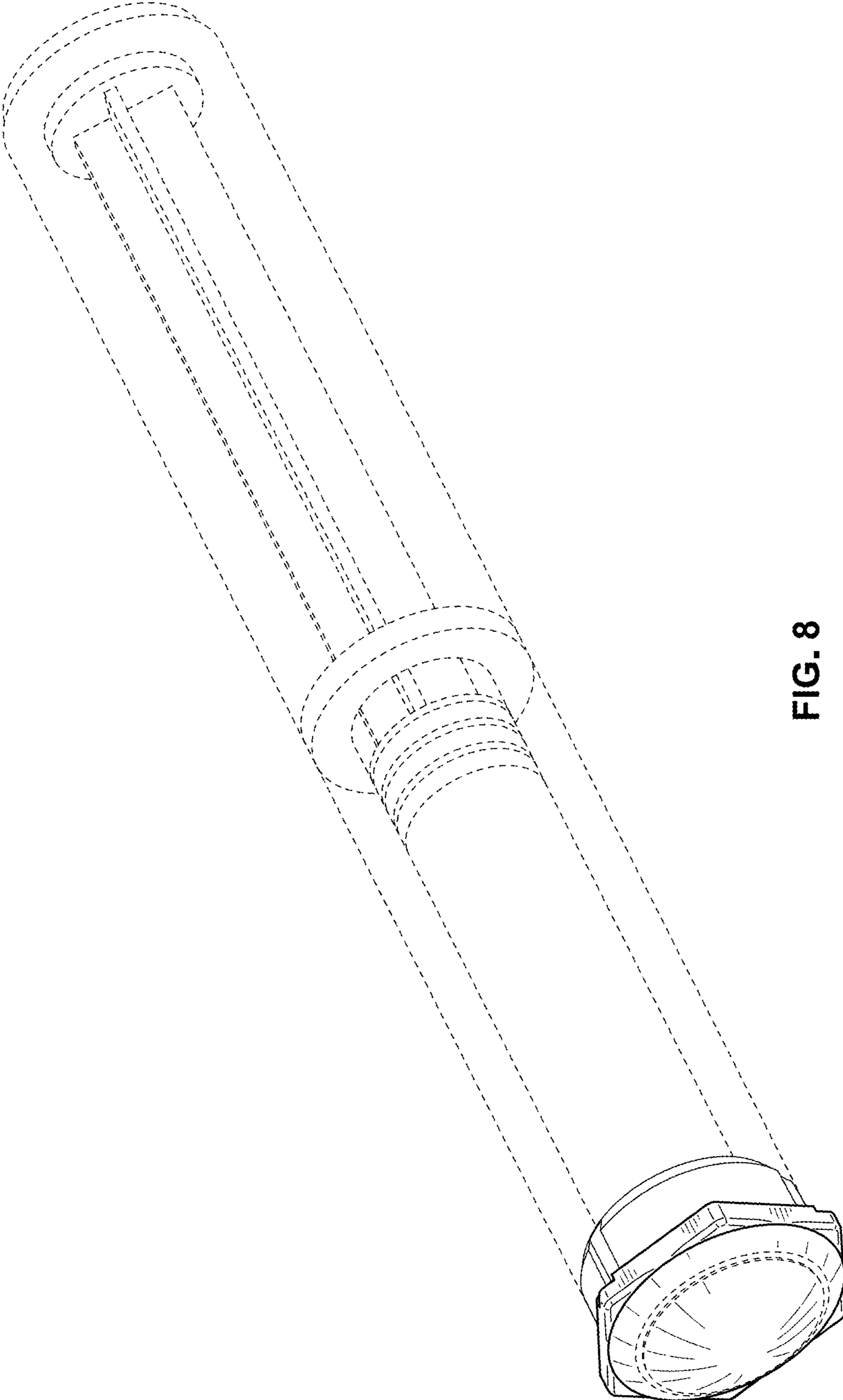


FIG. 8