

US00D860781S

(12) **United States Design Patent** (10) **Patent No.:** **US D860,781 S**
Exner (45) **Date of Patent:** **** Sep. 24, 2019**

(54) **CARTON SYSTEM** D473,787 S 4/2003 Jones, Jr. et al.
D484,043 S 12/2003 Hwang et al.
(71) Applicant: **Graphic Packaging International, LLC, Atlanta, GA (US)** 6,676,010 B1 * 1/2004 Roseth B65D 5/2057 229/114
D519,366 S 4/2006 Epstein
(72) Inventor: **Dana Exner, Wheaton, IL (US)** D519,830 S 5/2006 Yocum
D561,023 S 2/2008 Jacxsens
(73) Assignee: **Graphic Packaging International, LLC, Atlanta, GA (US)** 7,669,755 B2 3/2010 Smalley
7,699,214 B2 4/2010 Mestre et al.
(Continued)

(**) Term: **15 Years**
(21) Appl. No.: **29/680,109**
(22) Filed: **Feb. 13, 2019**

Related U.S. Application Data

(62) Division of application No. 29/641,849, filed on Mar. 26, 2018.
(51) **LOC (12) Cl.** **09-03**
(52) **U.S. Cl.**
USPC **D9/431**
(58) **Field of Classification Search**
USPC D9/414-423, 424-429, 430-432, 433, D9/434, 456, 457, 711, 713, 721-722; D3/272-274, 290, 304, 305, 315
CPC ... B65D 5/00; B65D 5/02; B65D 5/18; B65D 5/20
See application file for complete search history.

(56) **References Cited**

U.S. PATENT DOCUMENTS

637,838 A	11/1899	Vernon
1,892,756 A	1/1933	Horne
D217,441 S	5/1970	Kanaga
3,840,172 A	10/1974	Zimmermann
5,388,758 A	2/1995	Scovell
6,041,997 A	3/2000	Jensen
6,126,065 A	10/2000	Wee
D458,127 S	6/2002	De Groote
D467,499 S	12/2002	Garza et al.

OTHER PUBLICATIONS

Colpac Vizione Cardboard Food Tray. [online] Published on Apr. 20, 2017. Retrieved Dec. 18, 2018 from URL: [http:// www.castawayfoodpackaging.co.nz/product/01viztfl-vizione-cardboard-food-tray/](http://www.castawayfoodpackaging.co.nz/product/01viztfl-vizione-cardboard-food-tray/).

Primary Examiner — Vy N Koenig
(74) *Attorney, Agent, or Firm* — Womble Bond Dickinson (US) LLP

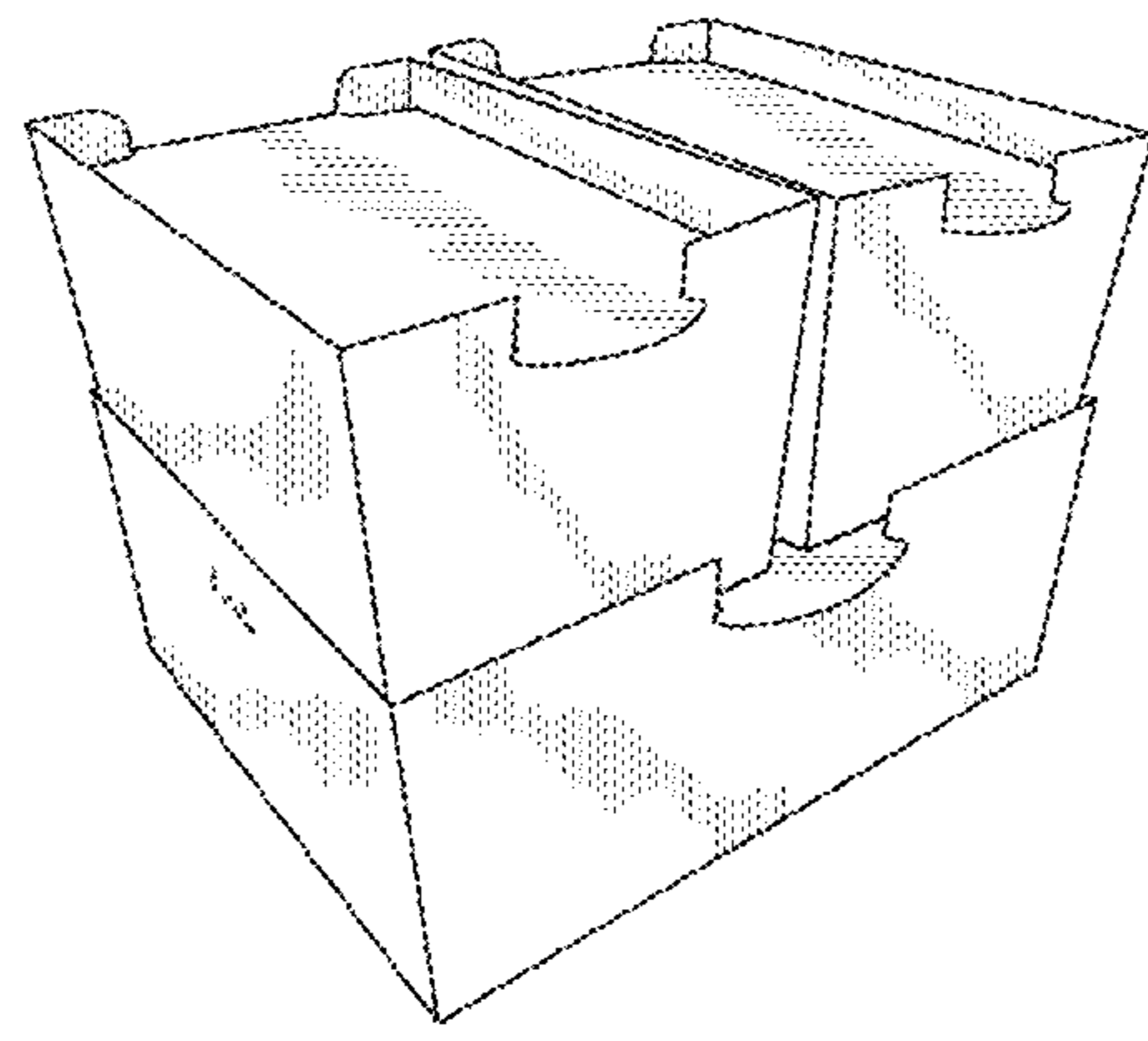
(57) **CLAIM**

The ornamental design for a carton system, as shown and described.

DESCRIPTION

FIG. 1 is a perspective view of a carton system showing my new design according to the disclosure.
FIG. 2 is a front elevation view of the carton system of FIG. 1.
FIG. 3 is a rear elevation view of the carton system of FIG. 1.
FIG. 4 is a left elevation view of the carton system of FIG. 1, the right elevation view is a mirror image.
FIG. 5 is a top plan view of the carton system of FIG. 1; and, FIG. 6 is a bottom plan view of the carton system of FIG. 1. All evenly-spaced broken lines depict environmental subject matter only and do not form part of the claimed design.

1 Claim, 6 Drawing Sheets



(56)

References Cited

U.S. PATENT DOCUMENTS

D630,508 S	1/2011	Hubbard, Jr.	
D631,741 S	2/2011	Hubbard, Jr.	
D631,742 S	2/2011	Hubbard, Jr.	
D631,743 S	2/2011	Hubbard, Jr.	
D666,830 S *	9/2012	Glenn	D3/312
D684,858 S	6/2013	Sill	
8,740,050 B2	6/2014	Zinck et al.	
D717,162 S *	11/2014	Baker	D9/431
D753,994 S	4/2016	Pantelleria	
9,309,023 B2	4/2016	Hubbard, Jr.	
D755,624 S	5/2016	Ng	
D762,468 S	8/2016	Pantelleria et al.	
D769,114 S	10/2016	Montemayor	
9,505,516 B2	11/2016	Hubbard, Jr.	
D775,947 S	1/2017	Epstein	
9,701,438 B2	7/2017	Fitzwater et al.	
D805,894 S	12/2017	Lee	
D811,875 S	3/2018	Haen et al.	
D813,029 S	3/2018	Borkovetz et al.	
2008/0876791	4/2008	Cook	

* cited by examiner

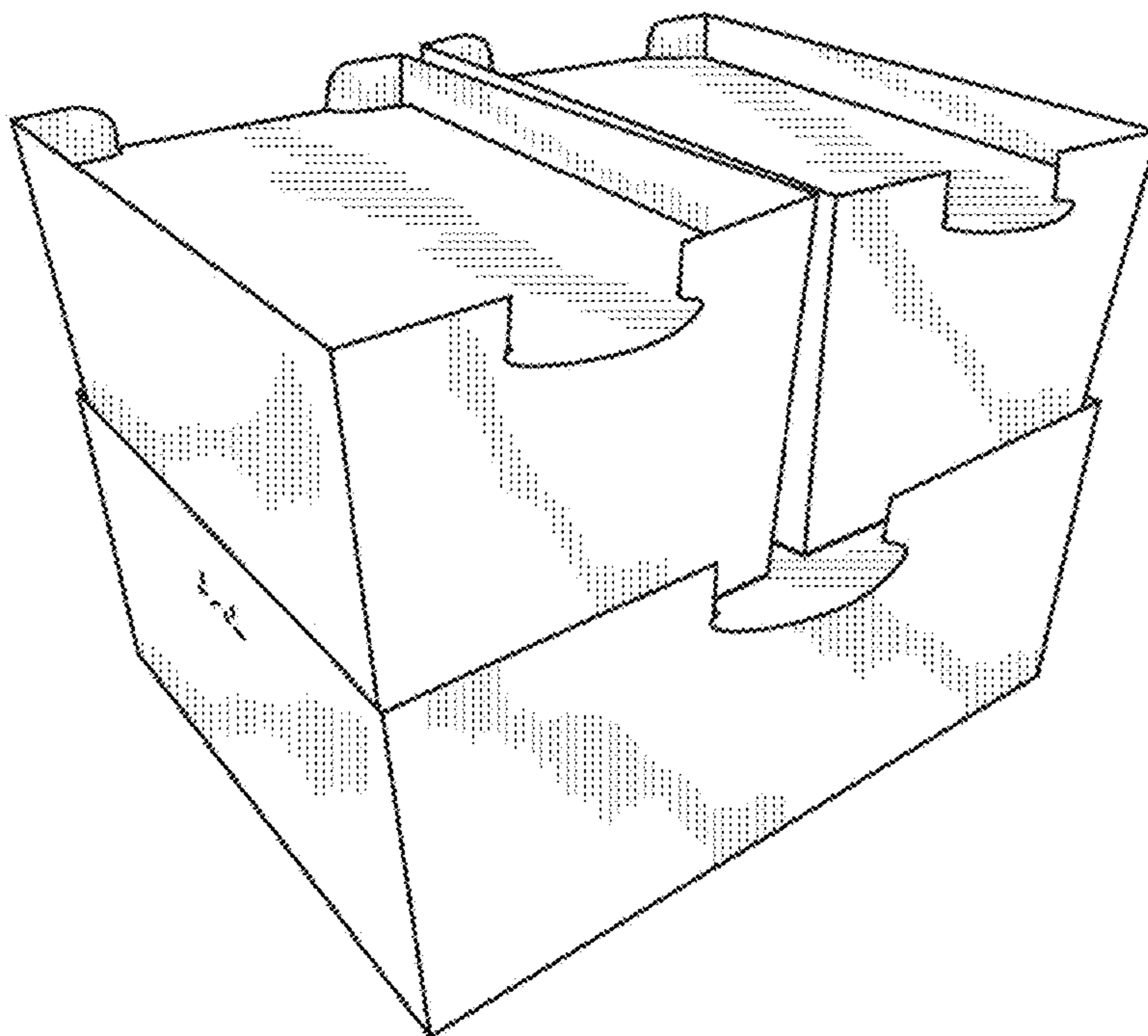


FIG. 1

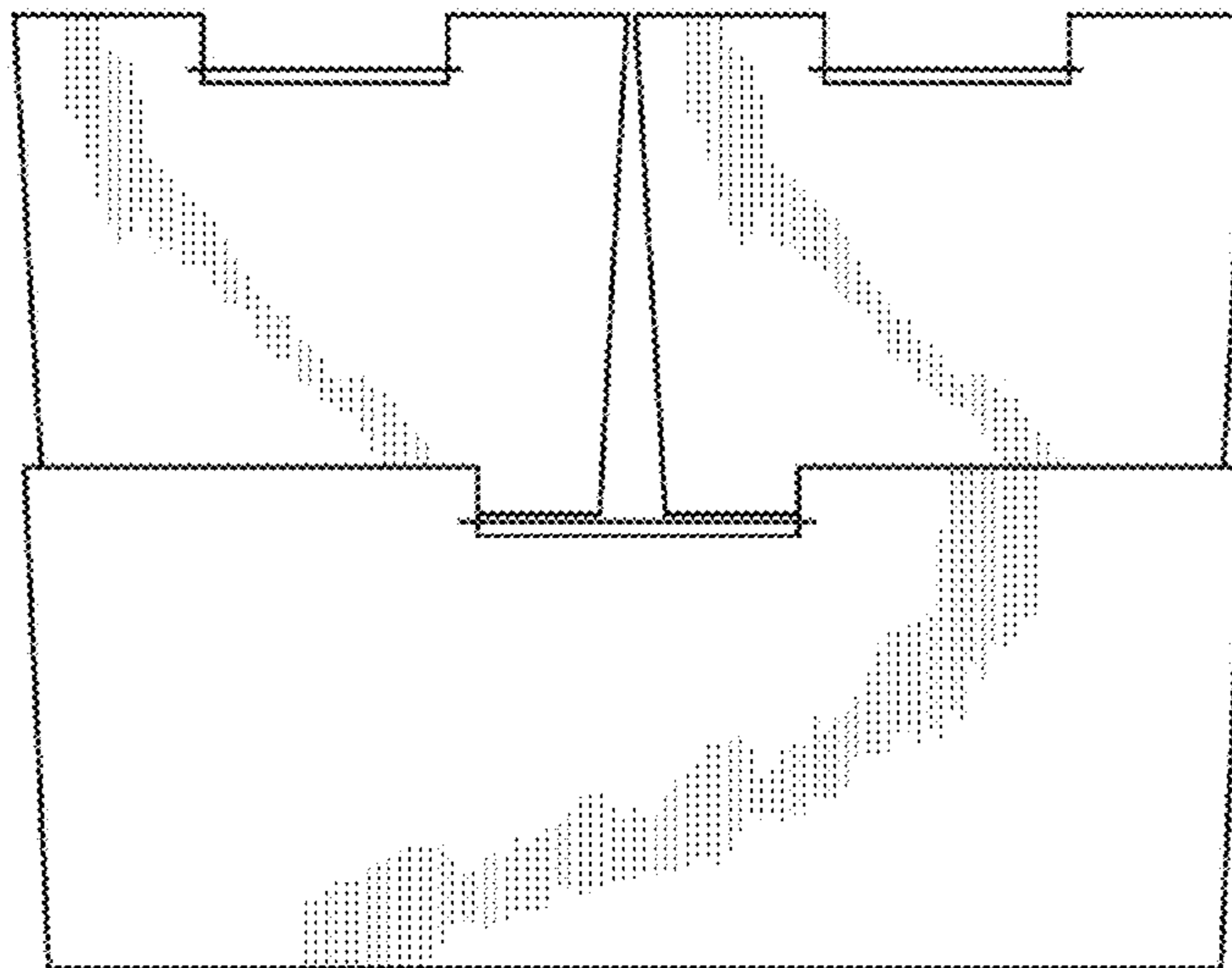


FIG. 2

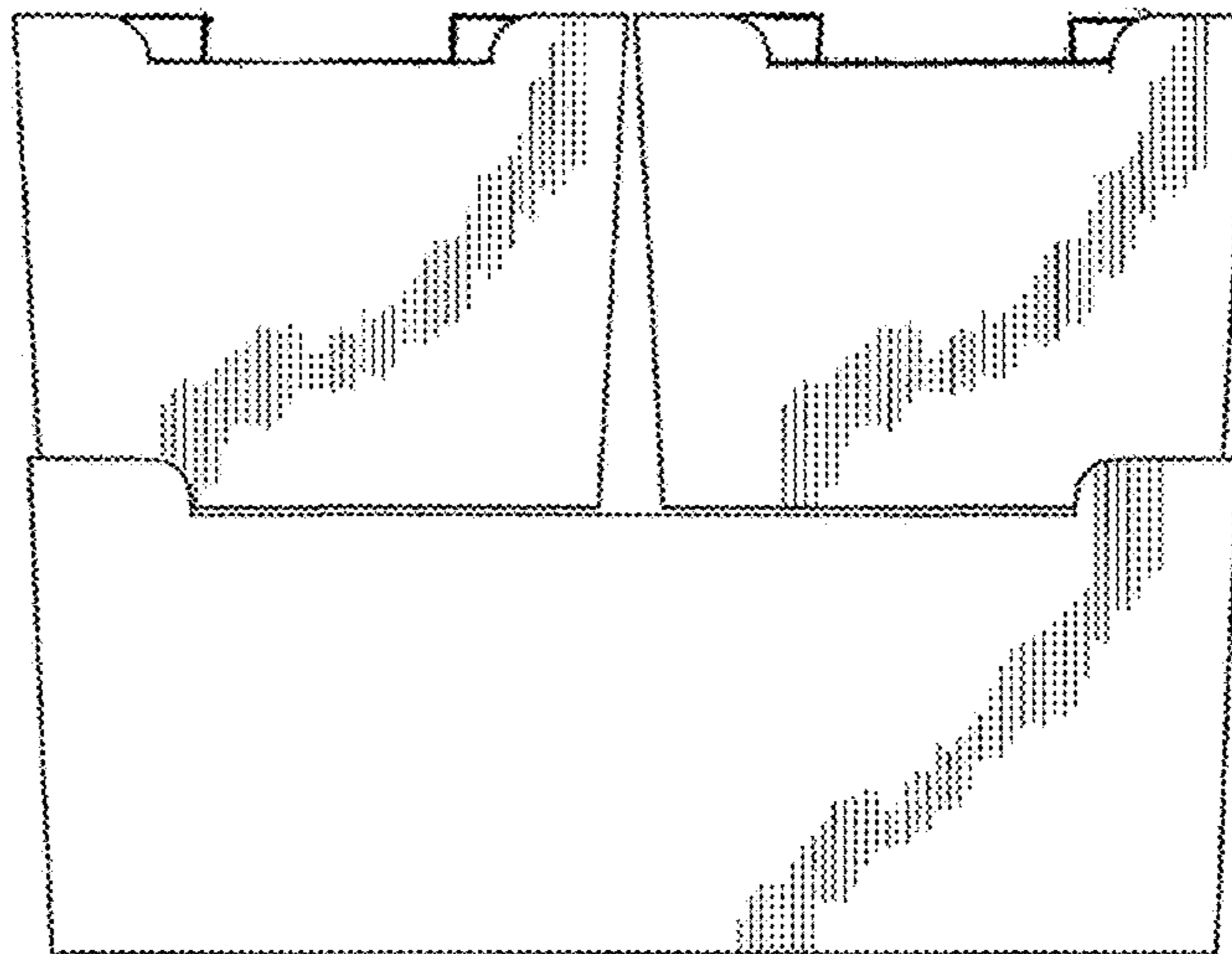


FIG. 3

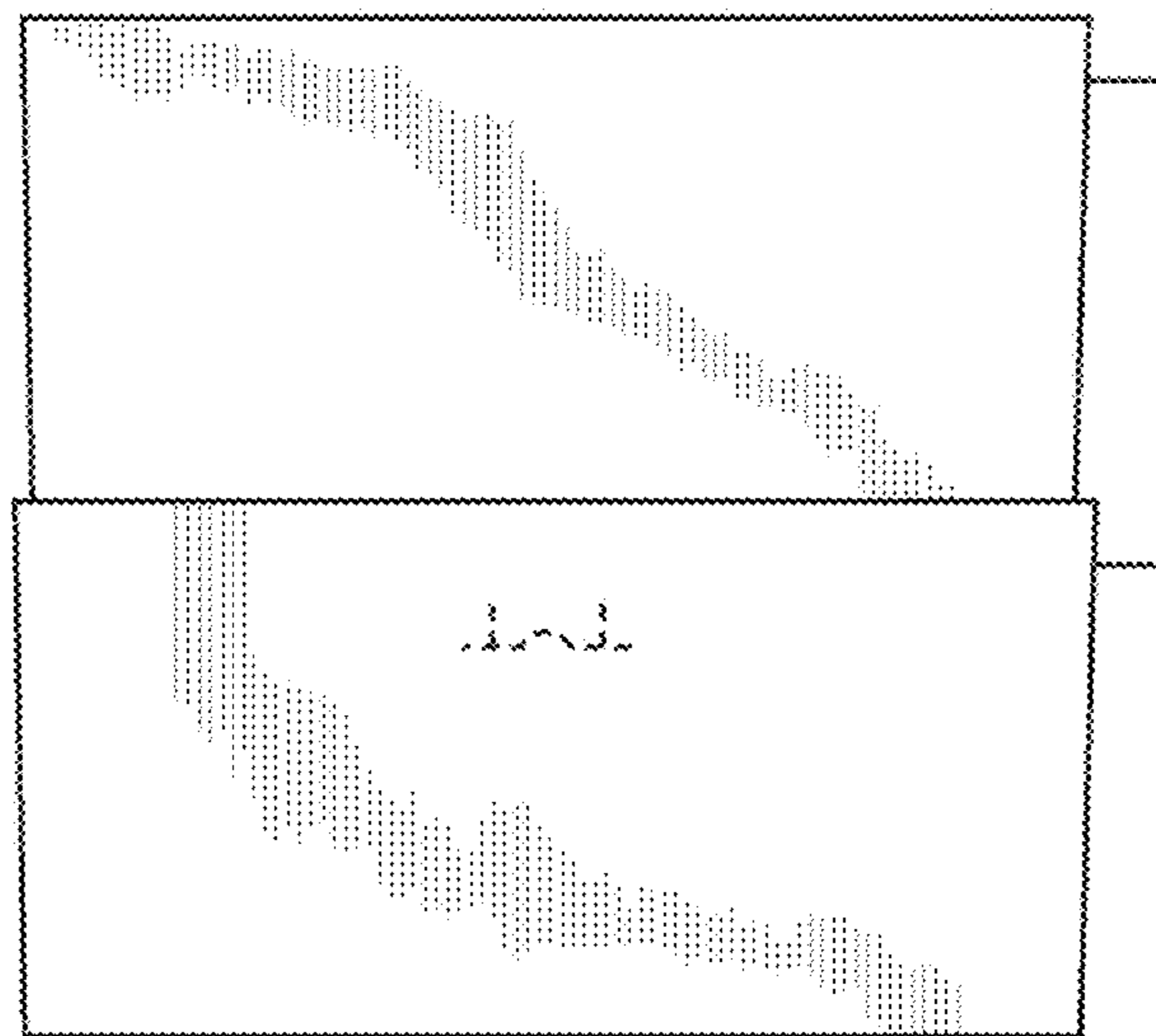


FIG. 4

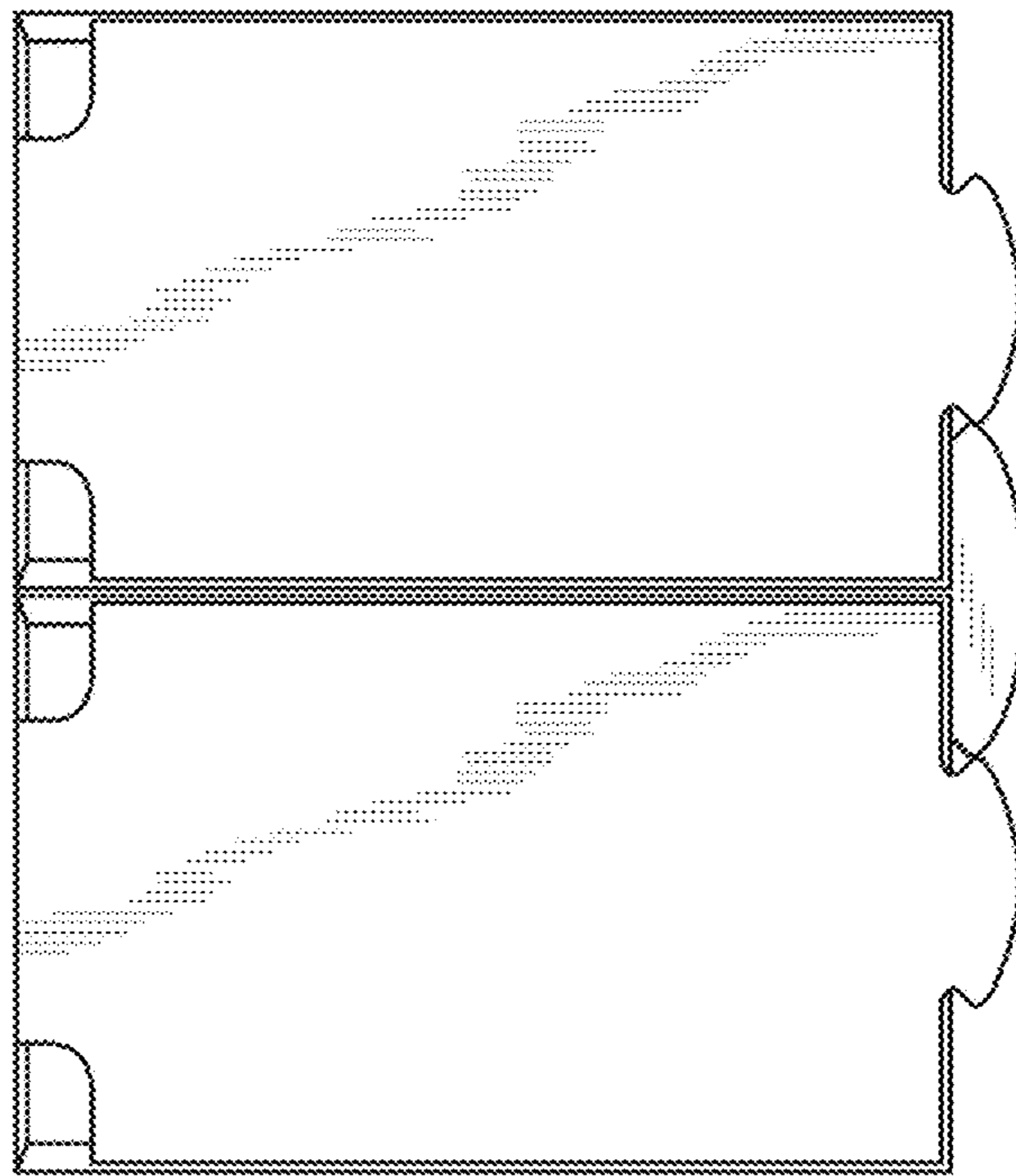


FIG. 5

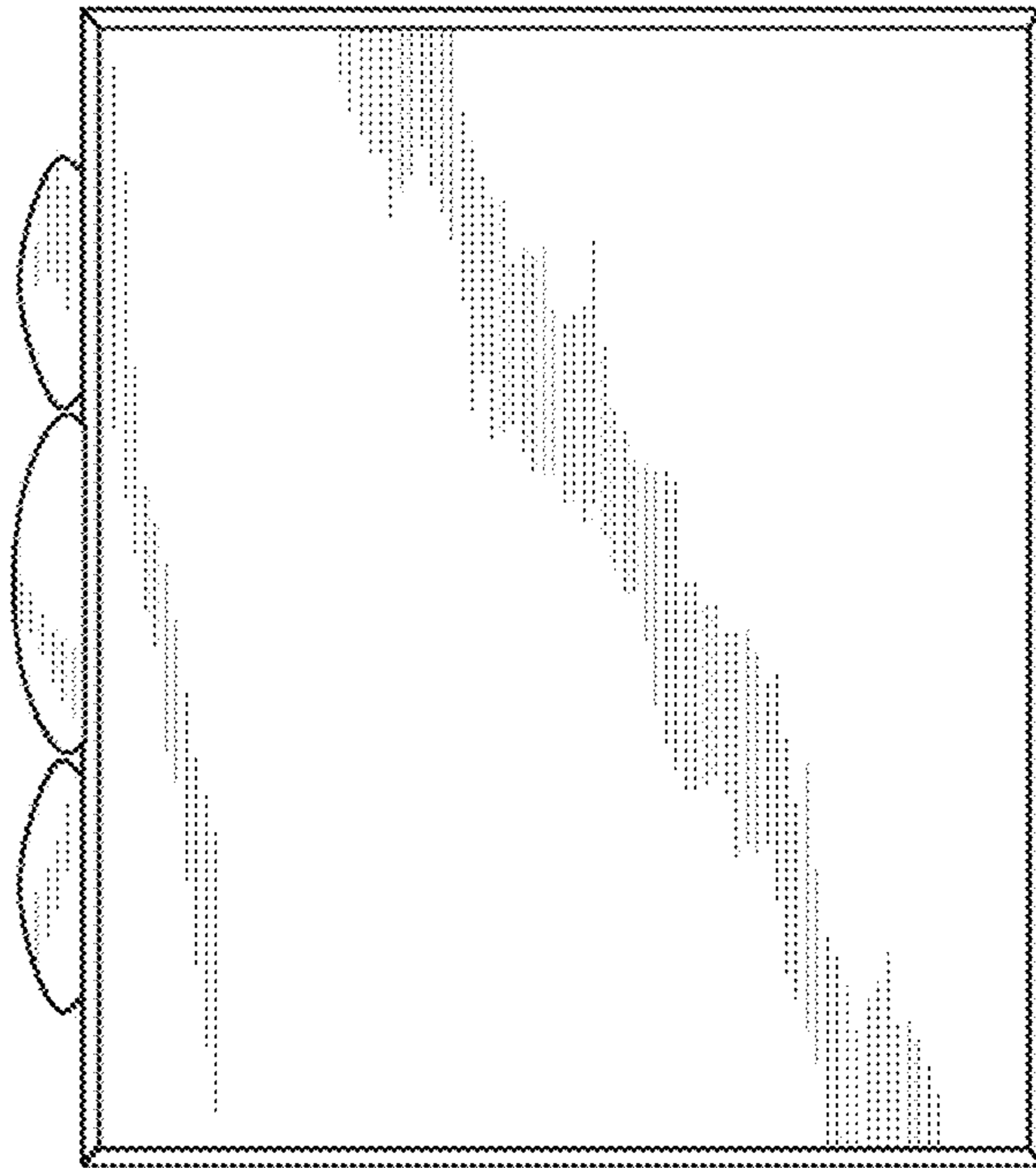


FIG. 6