



US00D860780S

(12) **United States Design Patent** (10) **Patent No.:** **US D860,780 S**
Requena et al. (45) **Date of Patent:** **** Sep. 24, 2019**

- (54) **CARTON**
- (71) Applicant: **Graphic Packaging International, LLC, Atlanta, GA (US)**
- (72) Inventors: **Emili Requena, Igualada (ES); Josep Cano De Miguel, Castelloli (ES)**
- (73) Assignee: **Graphic Packaging International, LLC, Atlanta, GA (US)**

5,524,756 A 6/1996 Sutherland
 5,551,556 A 9/1996 Sutherland
 5,582,343 A 12/1996 Dalvey
 (Continued)

FOREIGN PATENT DOCUMENTS

CA 877792 8/1971
 CA 2 160 145 9/1995
 (Continued)

OTHER PUBLICATIONS

Cowberry Crossing Farm Egg Packaging on Behance. [online] Published Dec. 8, 2016. Retrieved Feb. 4, 2019 from URL: <https://www.behance.net/gallery/22325357/Cowberry-Crossing-Farm-Egg-Packaging>.

(Continued)

Primary Examiner — Vy N Koenig

(74) *Attorney, Agent, or Firm* — Womble Bond Dickinson (US) LLP

(57) **CLAIM**

The ornamental design for a carton, as shown and described.

DESCRIPTION

FIG. 1 is a perspective view of a carton showing our new design according to the disclosure.
 FIG. 2 is a left elevation view of the carton of FIG. 1, the right elevation view is a mirror image.
 FIG. 3 is a front elevation view of the carton of FIG. 1.
 FIG. 4 is a rear elevation view of the carton of FIG. 1.
 FIG. 5 is a top plan view of the carton of FIG. 1.
 FIG. 6 is a bottom plan view of the carton of FIG. 1.
 FIG. 7 is a perspective view of the carton of FIG. 1 shown in an open configuration; and,
 FIG. 8 is a plan view of the carton of FIG. 1 shown in an unfolded configuration.
 All evenly-spaced broken lines depict environmental subject matter only and do not form part of the claimed design.

1 Claim, 8 Drawing Sheets

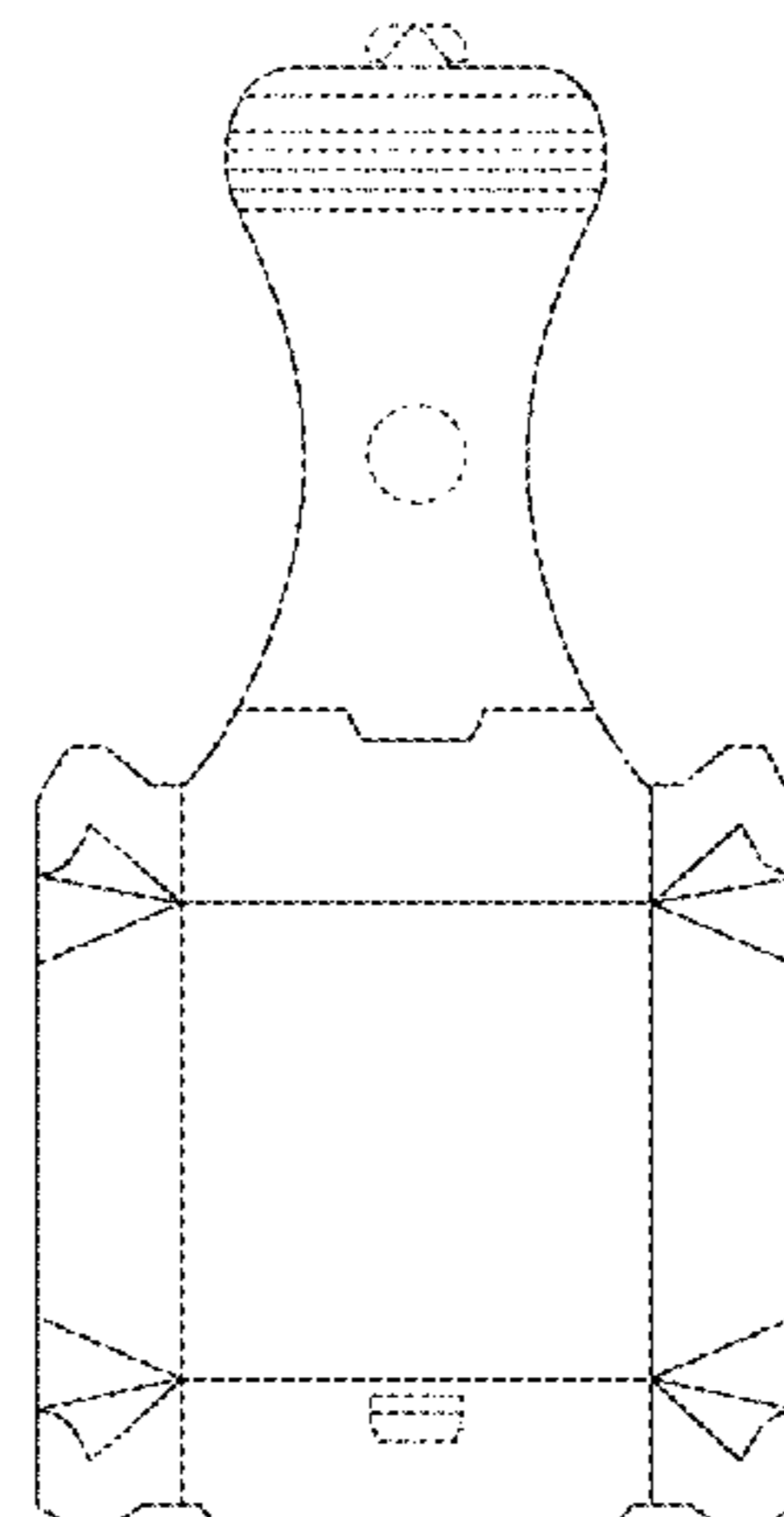
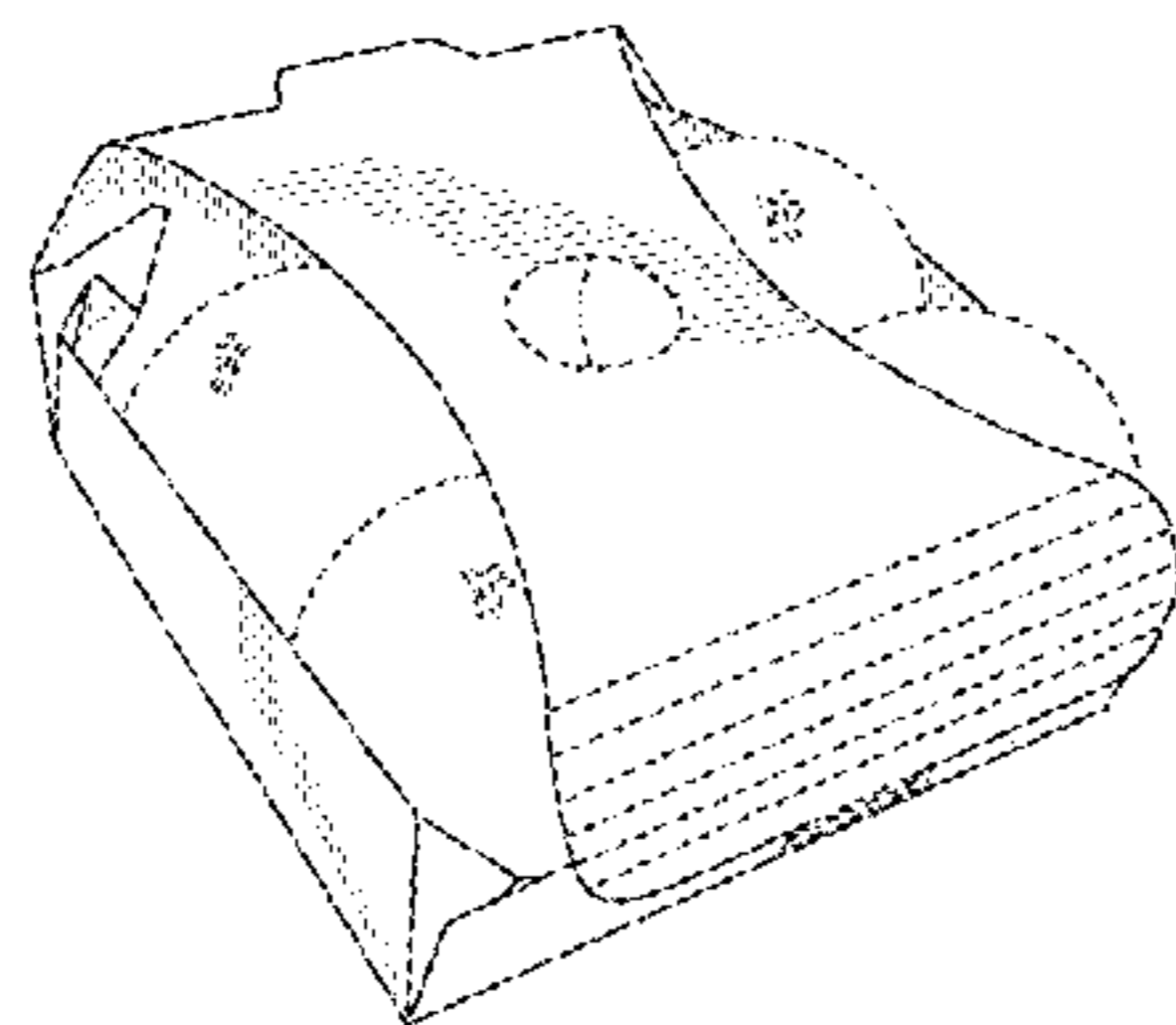
Related U.S. Application Data

- (62) Division of application No. 29/646,503, filed on May 4, 2018.
- (51) **LOC (12) Cl.** **09-03**
- (52) **U.S. Cl.**
USPC **D9/420; D9/433**
- (58) **Field of Classification Search**
USPC D9/414–423, 424–429, 430–432, 433, D9/434, 456, 457, 711, 713, 721–722; D3/272–274, 290, 304, 305, 315
CPC ... B65D 5/00; B65D 5/02; B65D 5/18; B65D 5/20
See application file for complete search history.

(56) **References Cited**

U.S. PATENT DOCUMENTS

3,447,672 A 6/1969 Bailey
 5,427,241 A 6/1995 Sutherland
 5,458,234 A 10/1995 Harris
 5,485,915 A 1/1996 Harris
 5,495,727 A 3/1996 Strong et al.
 5,503,324 A 4/1996 Bacchetti et al.



(56)

References Cited

U.S. PATENT DOCUMENTS

5,639,017 A 6/1997 Fogle
 5,647,483 A 7/1997 Harris
 5,669,500 A 9/1997 Sutherland
 5,699,957 A 12/1997 Blin et al.
 5,704,470 A 1/1998 Sutherland
 5,738,273 A 4/1998 Auclair
 D394,385 S 5/1998 Laughlin
 5,794,778 A 8/1998 Harris
 5,826,782 A 10/1998 Stout
 5,873,515 A 2/1999 Dunn et al.
 5,878,946 A 3/1999 Frerot et al.
 5,915,546 A 6/1999 Harrelson
 5,992,733 A 11/1999 Gomes
 5,996,883 A 12/1999 Bates
 6,019,276 A 2/2000 Auclair
 6,065,590 A 5/2000 Spivey
 6,105,853 A 8/2000 Lamare
 6,105,854 A 8/2000 Spivey et al.
 6,131,803 A 10/2000 Oliff et al.
 6,164,526 A 12/2000 Dalvey
 D436,315 S 1/2001 Bentolila
 6,170,741 B1 1/2001 Skolik et al.
 6,227,367 B1 5/2001 Harrelson et al.
 6,237,839 B1 5/2001 Brown
 6,241,083 B1 6/2001 Harrelson
 6,260,755 B1 7/2001 Bates et al.
 6,302,320 B1 10/2001 Stout
 6,422,453 B1 * 7/2002 Wang B65D 5/008
 206/562
 6,425,520 B1 7/2002 Peterson
 6,523,739 B2 2/2003 Heeley et al.
 6,536,656 B2 3/2003 Auclair et al.
 6,598,784 B2 7/2003 LaBras et al.
 6,631,803 B2 10/2003 Rhodes et al.
 6,758,337 B2 7/2004 Chargueraud et al.
 D496,265 S 9/2004 Dossett
 6,848,573 B2 2/2005 Gould et al.
 6,905,066 B2 6/2005 Holley, Jr. et al.
 6,926,193 B2 8/2005 Smalley
 7,007,836 B2 3/2006 Smalley
 D534,071 S 12/2006 Hoff
 7,427,010 B2 9/2008 Sutherland
 7,472,791 B2 1/2009 Spivey, Sr.
 D590,257 S 4/2009 Matsumoto
 7,617,969 B2 11/2009 Oliveira
 7,743,968 B2 6/2010 Theelen
 7,748,603 B2 7/2010 Fogle et al.
 7,757,933 B2 7/2010 Dunn
 7,806,314 B2 10/2010 Sutherland
 D668,965 S 10/2012 Crawford
 8,439,253 B2 5/2013 Requena et al.
 D693,242 S 11/2013 Birchmeier
 D694,125 S 11/2013 Holsmer
 D695,634 S * 12/2013 Holsmer D9/753
 D703,527 S 4/2014 Fuller
 8,740,050 B2 6/2014 Zinck et al.
 D709,953 S 7/2014 Williams
 D710,213 S 8/2014 Birchmeier
 D711,218 S 8/2014 Jacobs
 D723,022 S 2/2015 Miles
 D730,748 S 6/2015 Varavarna
 9,211,971 B2 12/2015 Fogle et al.
 D760,598 S 7/2016 White
 D764,281 S 8/2016 Mayer
 D792,761 S * 7/2017 Duval D9/431
 D798,707 S 10/2017 Mayer
 D798,736 S 10/2017 Shoshan
 D798,737 S 10/2017 Miller
 D809,911 S 2/2018 Moskovich
 D826,706 S 8/2018 Moskovich
 D828,766 S 9/2018 Latour
 D828,768 S 9/2018 Lebeau

D833,860 S 11/2018 Lee
 D833,865 S 11/2018 Petty
 D839,729 S 2/2019 Oliveira
 2001/0017314 A1 8/2001 Boukredine et al.
 2003/0213263 A1 11/2003 Woog
 2004/0074954 A1 4/2004 Fogle et al.
 2005/0056658 A1 3/2005 Spivey
 2005/0167478 A1 8/2005 Holley, Jr.
 2006/0169755 A1 8/2006 Spivey
 2006/0273143 A1 12/2006 Finch
 2007/0039846 A1 2/2007 Spivey
 2007/0051781 A1 3/2007 Holley
 2007/0108261 A1 5/2007 Schuster
 2007/0164091 A1 7/2007 Fogle et al.
 2007/0205255 A1 9/2007 Dunn
 2007/0295789 A1 12/2007 Ho Fung
 2008/0067223 A1 3/2008 Jego
 2009/0014508 A1 1/2009 Marie
 2009/0090708 A1 4/2009 Requena
 2009/0236408 A1 9/2009 Spivey, Sr. et al.

FOREIGN PATENT DOCUMENTS

CH 536 757 5/1973
 DE 85 14 718 6/1985
 DE 93 13 241 12/1993
 DE 296 07 374 7/1996
 DE 201 12 228 11/2002
 DE 20 2004 018 649 5/2005
 EP 0 473 266 3/1992
 EP 0 500 258 8/1992
 EP 1 381 545 1/2004
 EP 1 612 157 1/2006
 FR 2 481 231 10/1981
 FR 2 662 141 11/1991
 GB 2 206 565 1/1989
 JP 2004-521032 7/2004
 KR 10-0785977 12/2007
 OA 128 1/1966
 WO WO 81 00090 1/1981
 WO WO 95/11165 4/1995
 WO WO 96/20874 7/1996
 WO WO 96/21604 7/1996
 WO WO 96/27538 9/1996
 WO WO 99/28207 6/1999
 WO WO 00/78618 12/2000
 WO WO 01/66434 9/2001
 WO WO 02/47990 6/2002
 WO WO 02/085739 10/2002
 WO WO 03/037742 5/2003
 WO WO 2005/080218 9/2005
 WO WO 2005/123532 12/2005
 WO WO 2007/089282 8/2007

OTHER PUBLICATIONS

Unique packaging for apples. [online] Published Nov. 11, 2014. Retrieved Feb. 4, 2019 from URL: <https://www.freshplaza.com/article/130798/Unique-packaging-for-apples/>.
 Efficient Fruit Packaging fruit packaging. [online] Published Jul. 10, 2014. Retrieved Feb. 4, 2019 from URL: <https://www.trendhunter.com/trends/fruit-packaging>.
 Graphic Packaging International on sustainable packaging. [online] Retrieved Feb. 11, 2019 from URL: <https://qualityfoodawards.com/news/interview-graphic-packaging-international-on-sustainable-packaging-01-05-2018/>.
 Office Action for U.S. Appl. No. 29/646,503 dated Mar. 4, 2019. Amendment A and Response to Office Action for U.S. Appl. No. 29/646,503 dated Apr. 1, 2019.
 Notice of Allowance and Fee(s) Due for U.S. Appl. No. 29/646,503 dated Apr. 17, 2019.

* cited by examiner

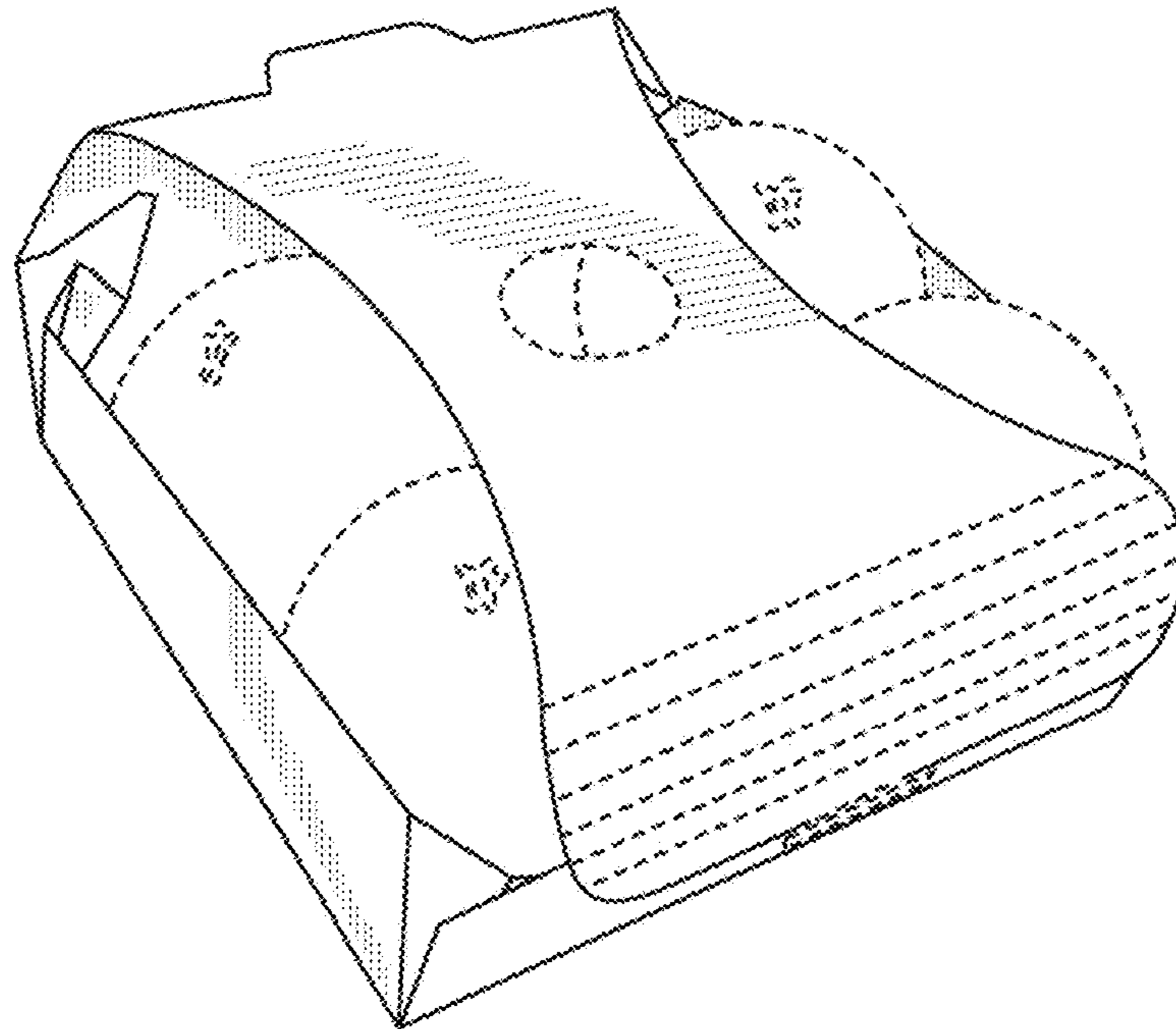


FIG. 1

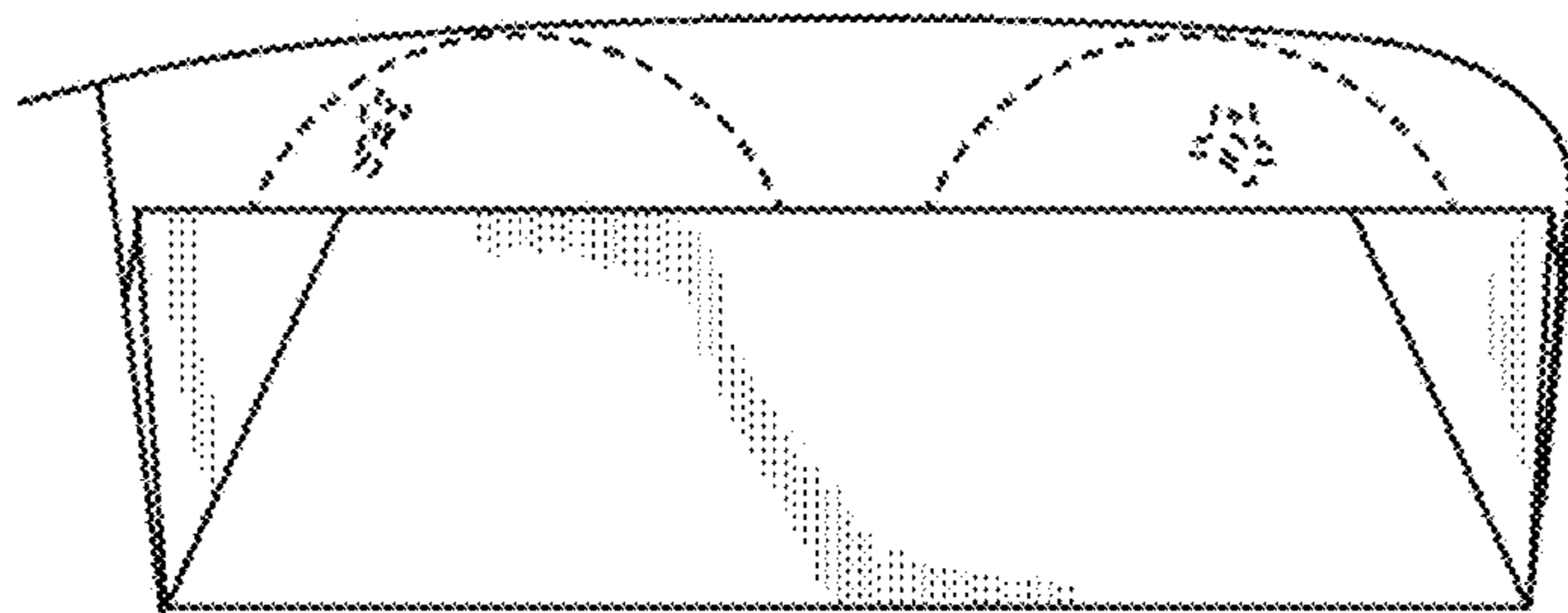


FIG. 2

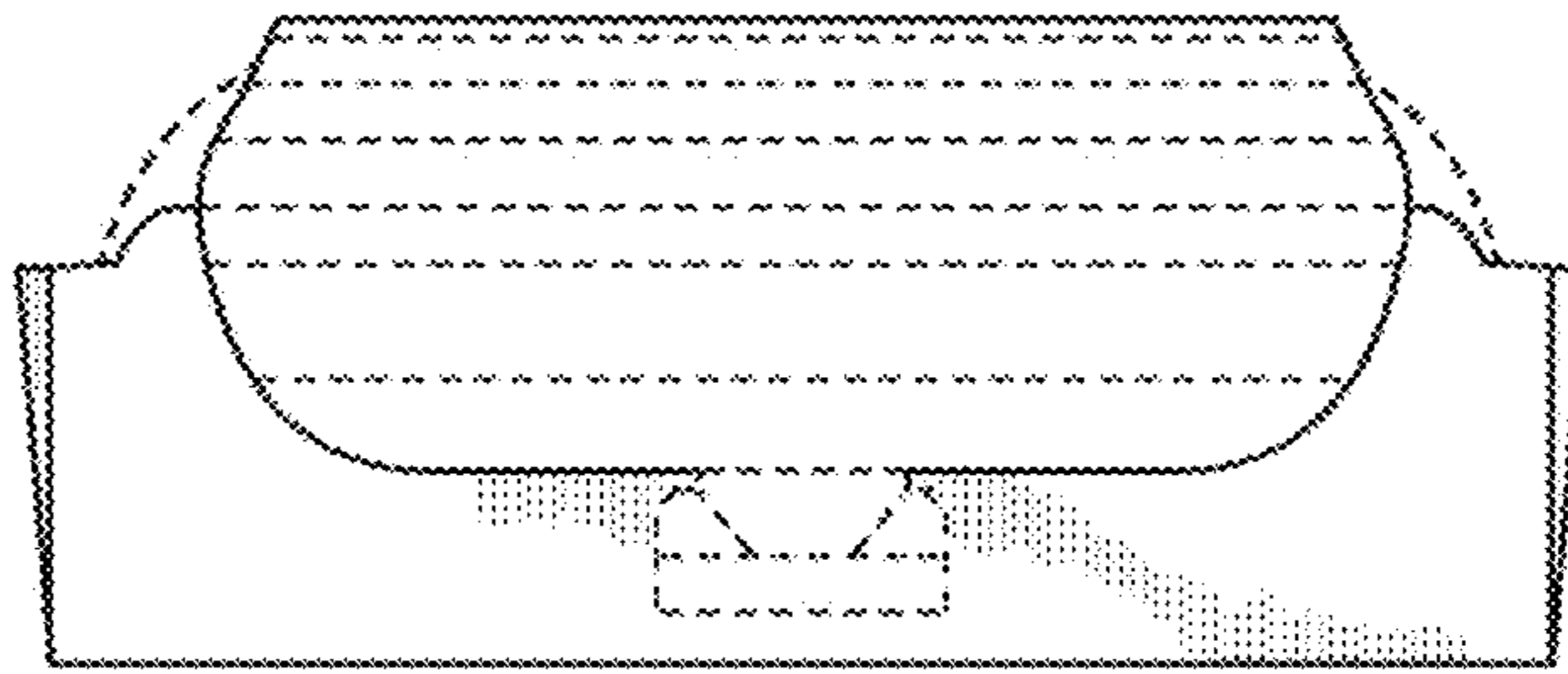


FIG. 3

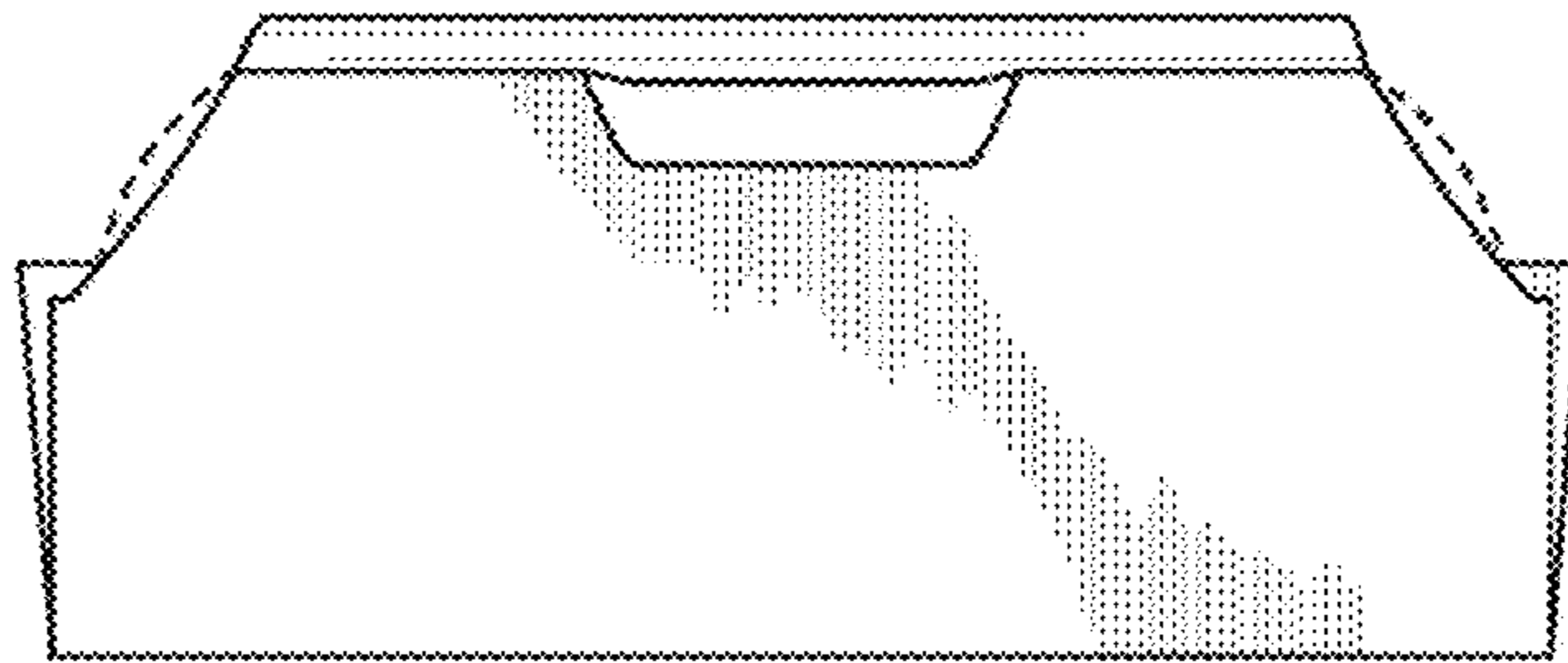


FIG. 4

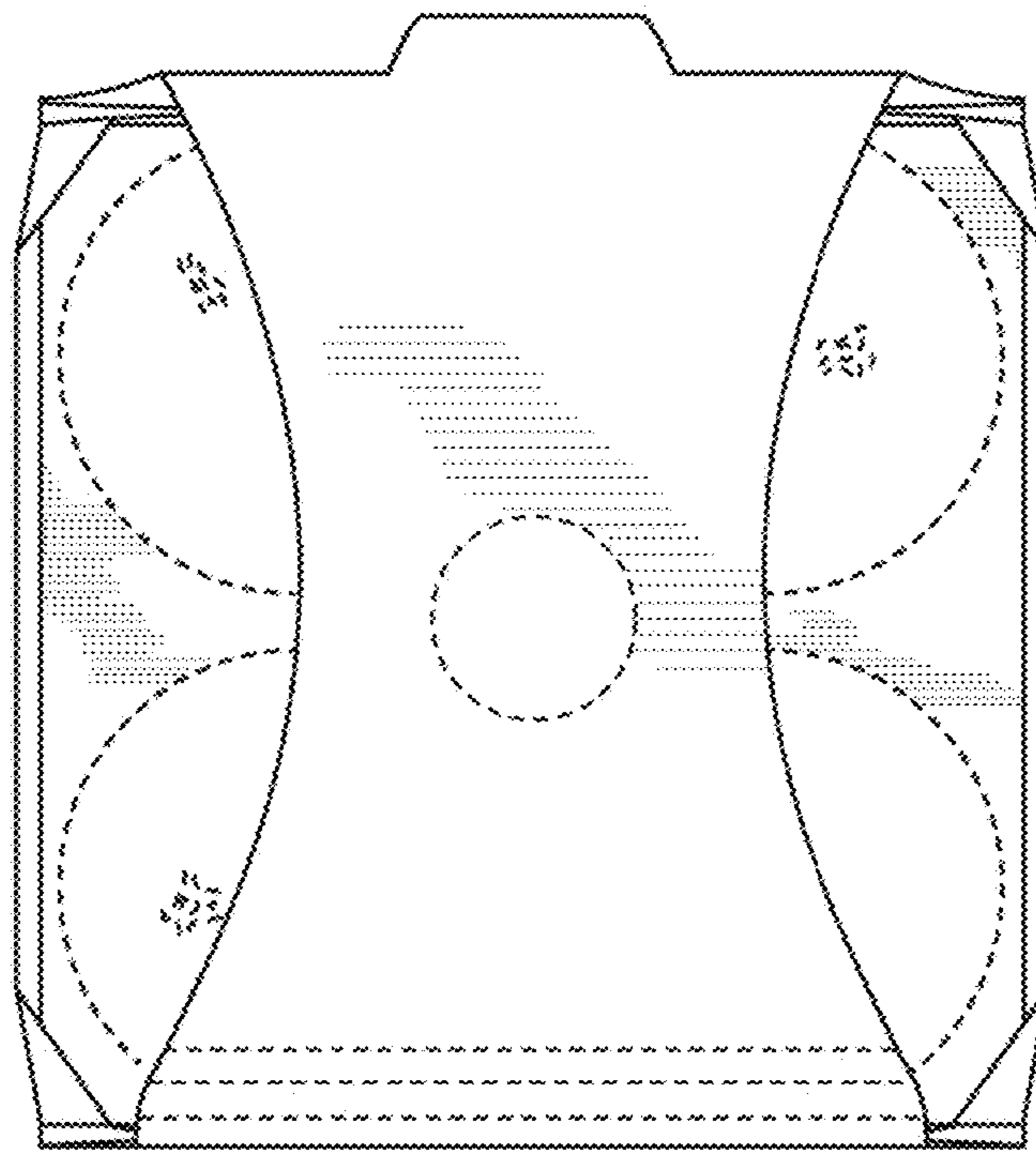


FIG. 5

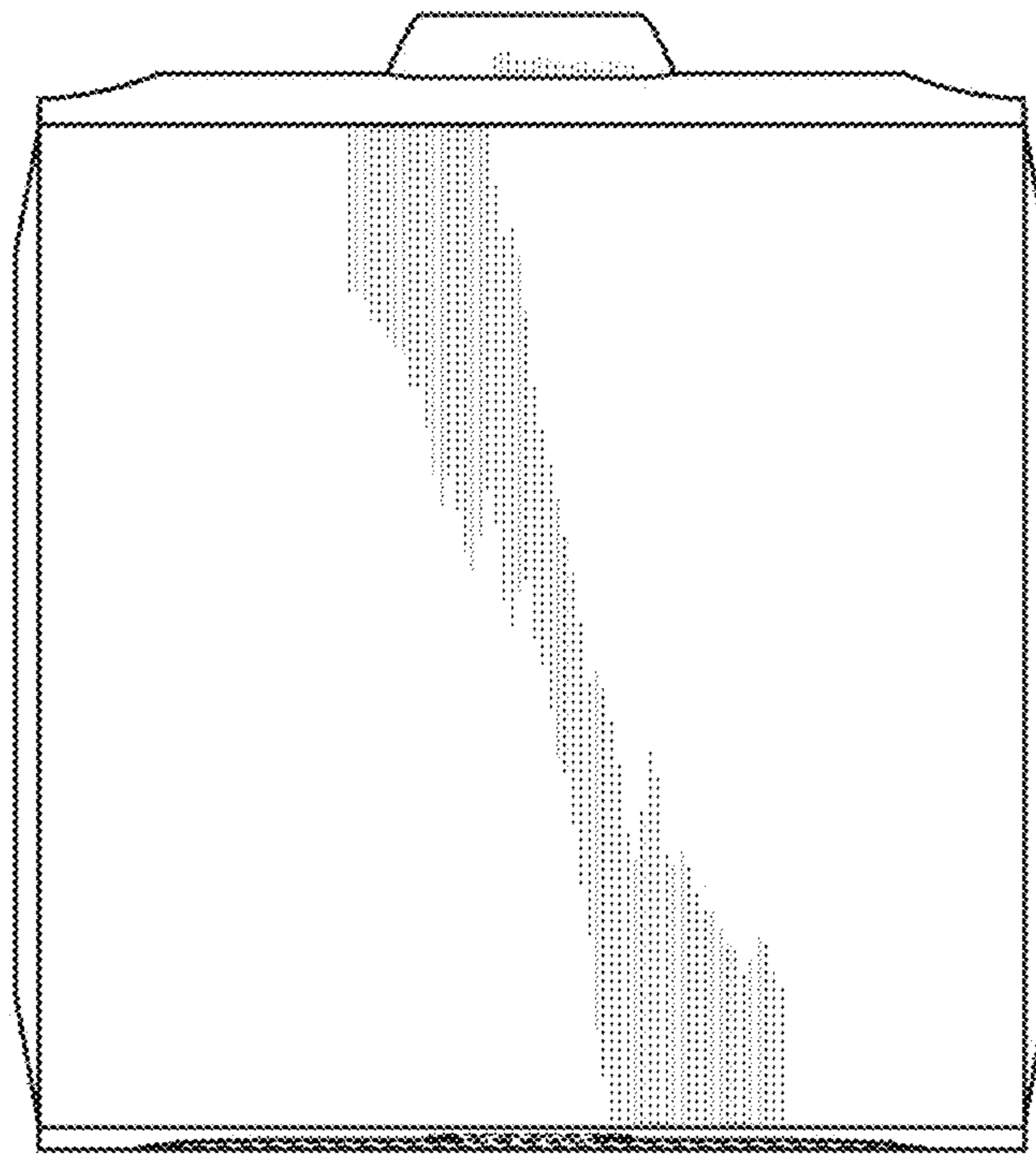


FIG. 6

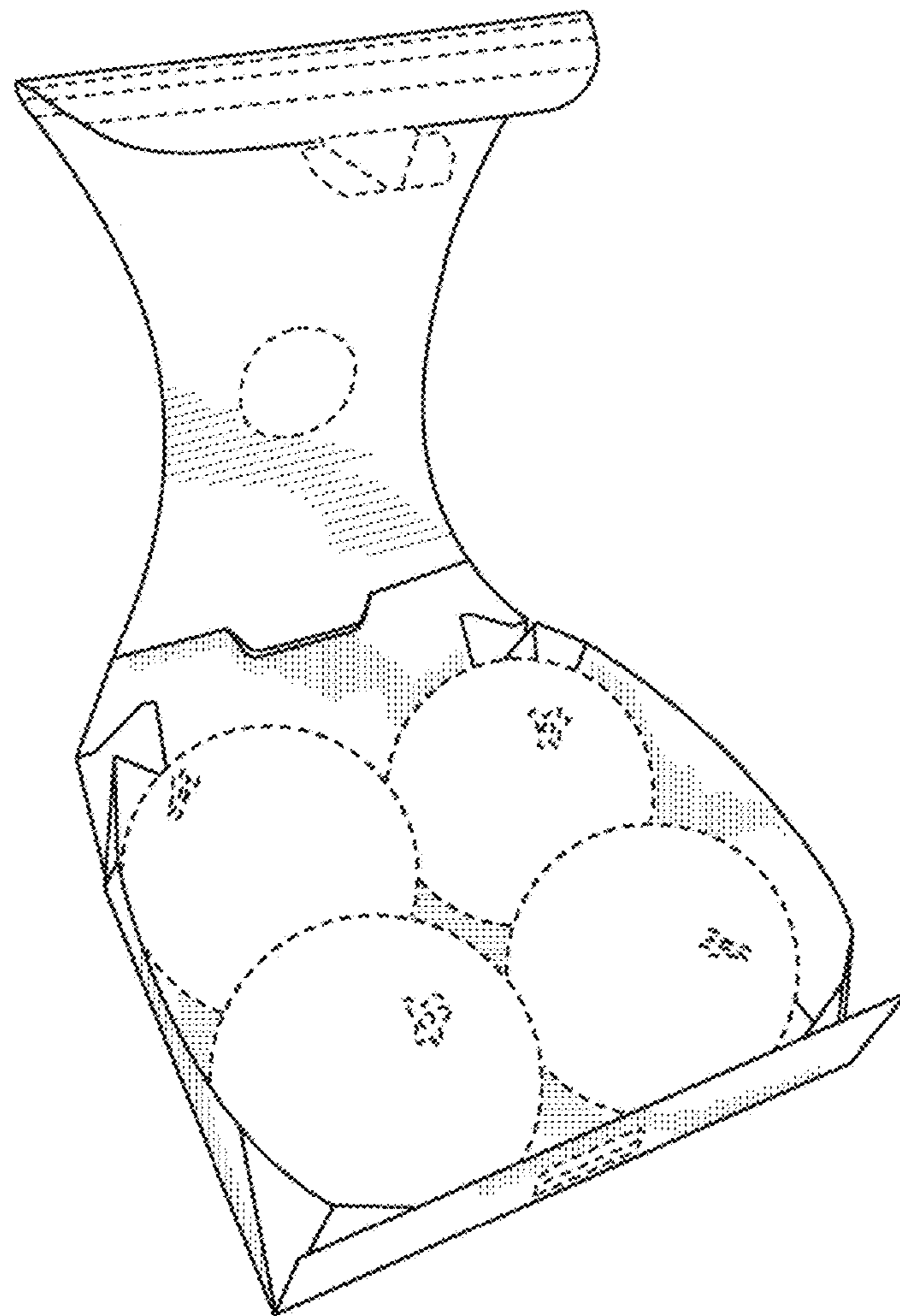


FIG. 7

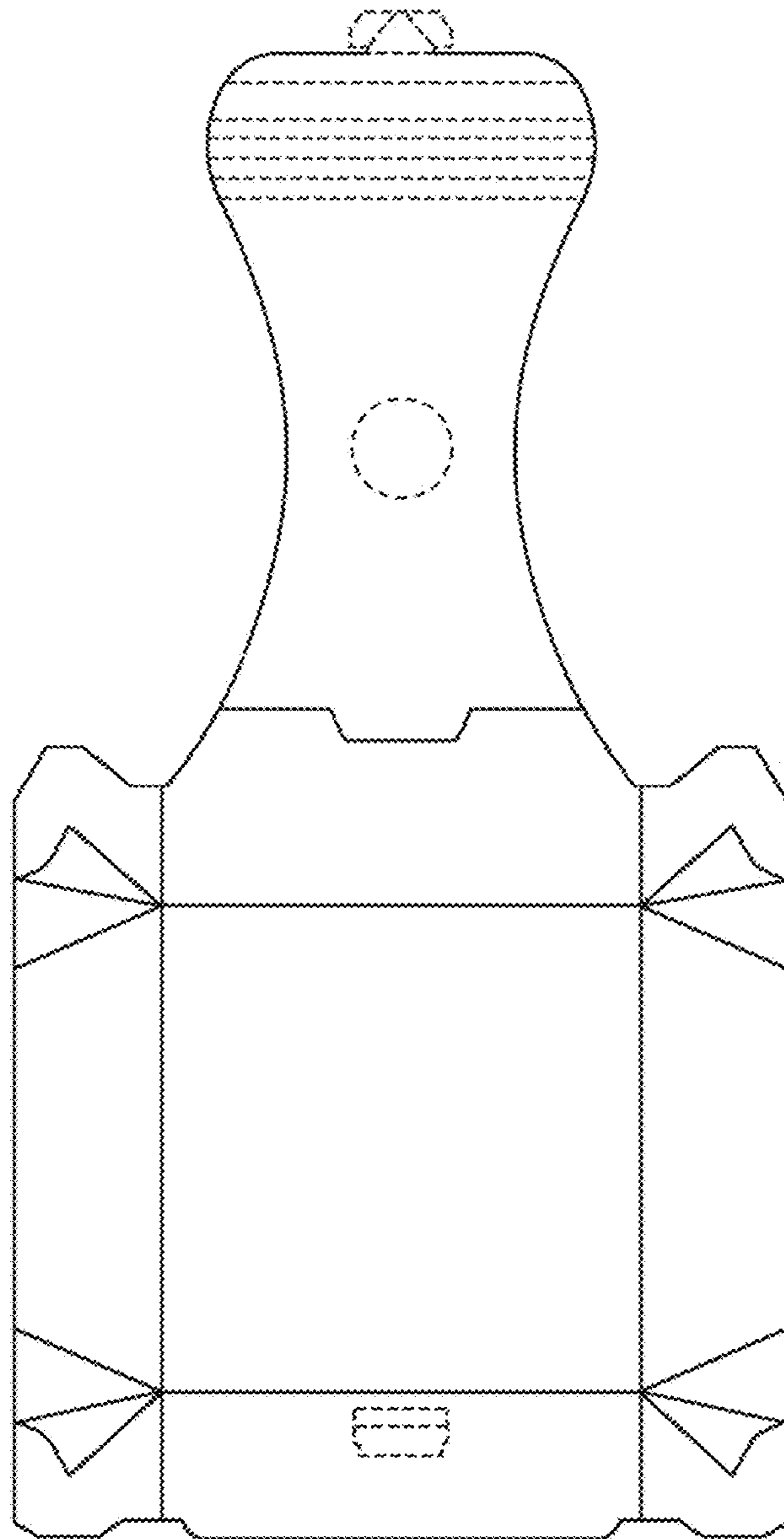


FIG. 8