

US00D860778S

(12) **United States Design Patent** (10) **Patent No.:** **US D860,778 S**
Dwork (45) **Date of Patent:** **** Sep. 24, 2019**

(54) **FOOD CONTAINER**

Collapsible-Box-Attached-Lid/dp/B0133YCIH2/ref=sr_1_6?ie=UTF8&qid=1508969356&sr=8-6&keywords=verterra.

(71) Applicant: **Michael D. Dwork**, New York, NY (US)

(Continued)

(72) Inventor: **Michael D. Dwork**, New York, NY (US)

Primary Examiner — Wan Laymon
Assistant Examiner — Clint A Samuel

(74) *Attorney, Agent, or Firm* — Merchant & Gould P.C.

(**) Term: **15 Years**

(21) Appl. No.: **29/629,978**

(57) **CLAIM**

(22) Filed: **Dec. 18, 2017**

The ornamental design for a food container, as shown and described.

(51) **LOC (12) Cl.** **09-03**

(52) **U.S. Cl.**
USPC **D9/418**

(58) **Field of Classification Search**

DESCRIPTION

USPC D9/414, 415, 416, 418, 420, 423, 425, D9/432, 433, 438, 751, 759; D7/590, D7/601, 609, 610, 612; D27/186; 206/543, 549, 66
CPC . B65D 1/00; B65D 1/22; B65D 1/225; B65D 5/00; B65D 5/16; B65D 5/66; B65D 5/665; B65D 5/4204; B65D 5/6605; B65D 2571/00543; B65D 2571/00549; B65D 2571/0066; B65D 43/162; B65D 81/02; B65D 81/3813; B65D 81/3848; A47F 7/03; A47F 7/145

See application file for complete search history.

FIG. 1 is an isometric view of a food container according to the present disclosure in a flat position;
FIG. 2 is an isometric view of the food container of FIG. 1 in a flipped position;
FIG. 3 is an isometric view of the food container of FIG. 1 in a partially upright position;
FIG. 4 is an isometric view of the food container of FIG. 1 in a full upright position having a lid in an open position;
FIG. 5 is a right side view of the food container of FIG. 1 in the full upright position having the lid in an open position;
FIG. 6 is a left side view of the food container of FIG. 1 in the full upright position having the lid in an open position;
FIG. 7 is a front view of the food container of FIG. 1 in the full upright position having the lid in an open position;
FIG. 8 is a rear view of the food container of FIG. 1 in the full upright position having the lid in an open position;
FIG. 9 is a bottom view of the food container of FIG. 1 in the full upright position having the lid in an open position;
FIG. 10 is a top view of the food container of FIG. 1 in the full upright position having the lid in an open position; and,
FIG. 11 is an isometric view of the food container of FIG. 1 in a full upright position having the lid in a closed position.

(56) **References Cited**

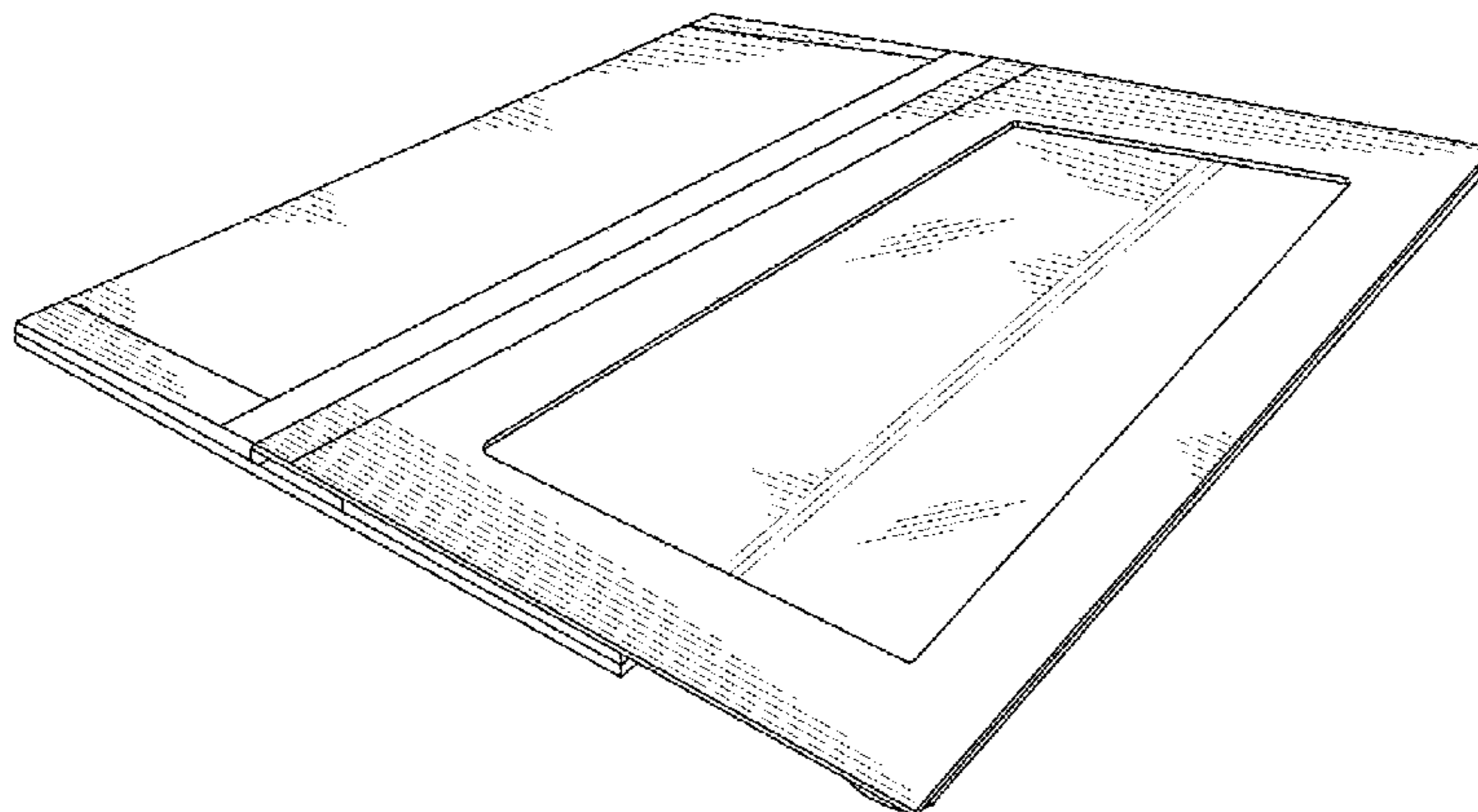
U.S. PATENT DOCUMENTS

4,187,975 A 2/1980 Shepherd
5,271,552 A * 12/1993 McDonnell B65D 5/4204 229/162.7
5,456,352 A 10/1995 McQueeny
(Continued)

OTHER PUBLICATIONS

VerTerra Collapsible Box with Attached Lid—Medium Square (10), Amazon.com, Jul. 31, 2015, <https://www.amazon.com/VerTerra->

1 Claim, 11 Drawing Sheets



(56)

References Cited

U.S. PATENT DOCUMENTS

5,938,068	A *	8/1999	Atkins	B65D 75/22
					220/266
D678,761	S *	3/2013	Cooper	D9/418
9,096,349	B2	8/2015	Youell et al.		
D762,113	S *	7/2016	Mayer	D9/418
D764,280	S *	8/2016	Carnu	D9/423
D776,522	S *	1/2017	Mayer	D9/418
D800,548	S *	10/2017	Sill	D9/418
2016/0137339	A1 *	5/2016	Molina-Muntanola	B65D 5/563
					229/145
2017/0066586	A1 *	3/2017	Petty	B65D 85/36
2018/0118403	A1 *	5/2018	Petty	B65D 5/6667

OTHER PUBLICATIONS

VerTerra Collapsible Box With Attached Lid—Large Rectangle (100), Amazon.com, Aug. 10, 2015, <https://www.amazon.com/>

VerTerra-Collapsible-Box-Attached-Lid/dp/B013PTVIGC/ref=sr_1_11?ie=UTF8&qid=1508969356&sr=8-11&keywords=verterra.
 VerTerra Large Collapsible Tray 3" Deep (10), Amazon.com, Jul. 30, 2015, https://www.amazon.com/VerTerra-Large-Collapsible-Tray-Deep/dp/B0131D4TGI/ref=sr_1_28?ie=UTF8&qid=1508969534&sr=8-28&keywords=verterra.
 VerTerra Collapsible Box with Attached Lid—Small Square (10), Amazon.com, Jul. 31, 2015, https://www.amazon.com/VerTerra-Collapsible-Box-Attached-Lid/dp/B0133WMUP4/ref=sr_1_55?ie=UTF8&qid=1508969706&sr=8-55&keywords=verterra.
 VerTerra Collapsible Small Tray 6x6 (50), Amazon.com, Jul. 29, 2015, https://www.amazon.com/VerTerra-Collapsible-Small-Tray-6x6/dp/B012XYB1DK/ref=sr_1_43?ie=UTF8&qid=1516116567&sr=8-43&keywords=verterra.
 VerTerra Collapsible Tray with Attached Lid—Large Tray 2 Deep (100), Amazon.com, Aug. 3, 2015, <https://www.amazon.com/VerTerra-Collapsible-Tray-Attached-Lid/dp/B013CHP412>.

* cited by examiner

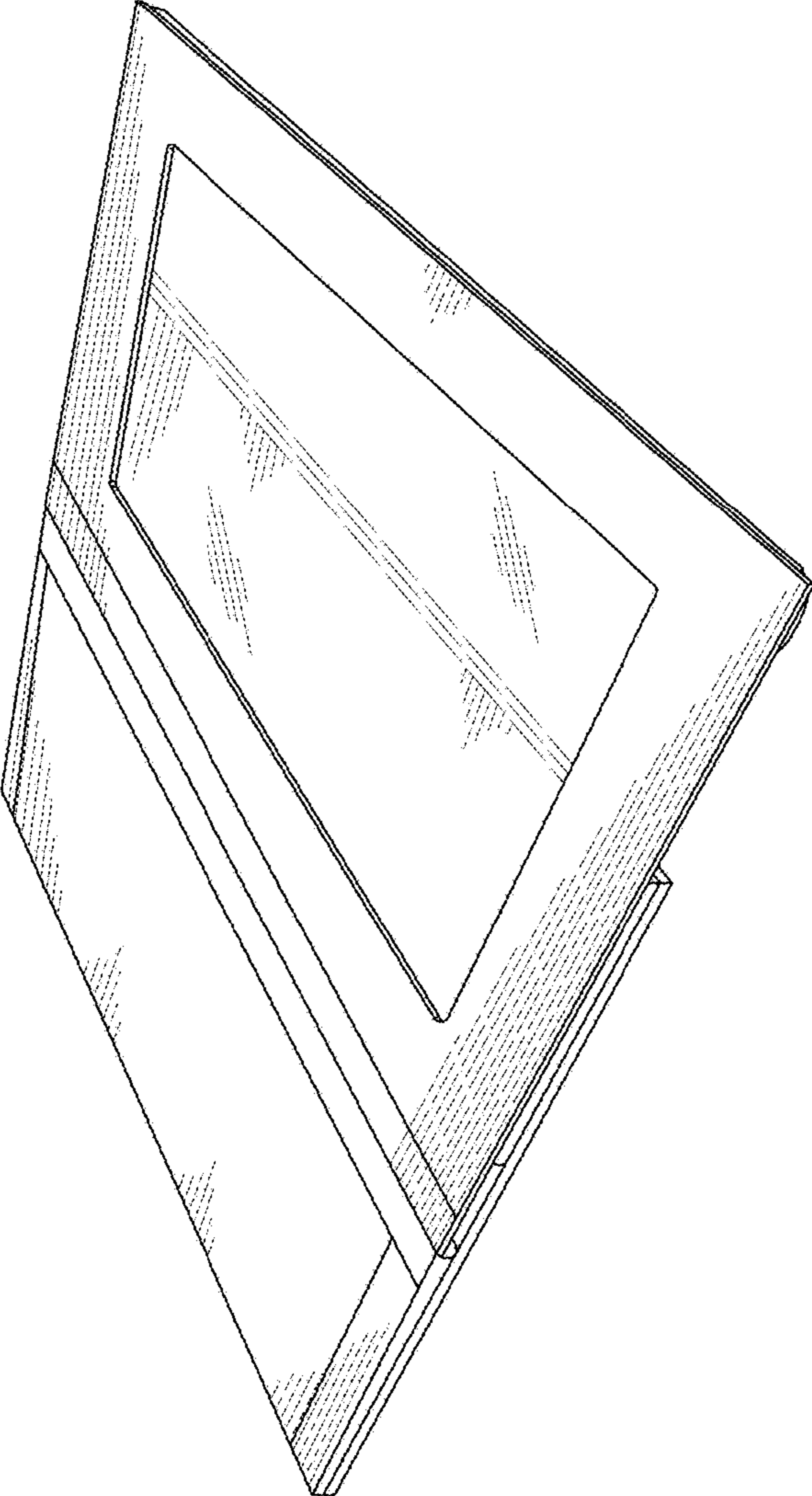


FIG. 1

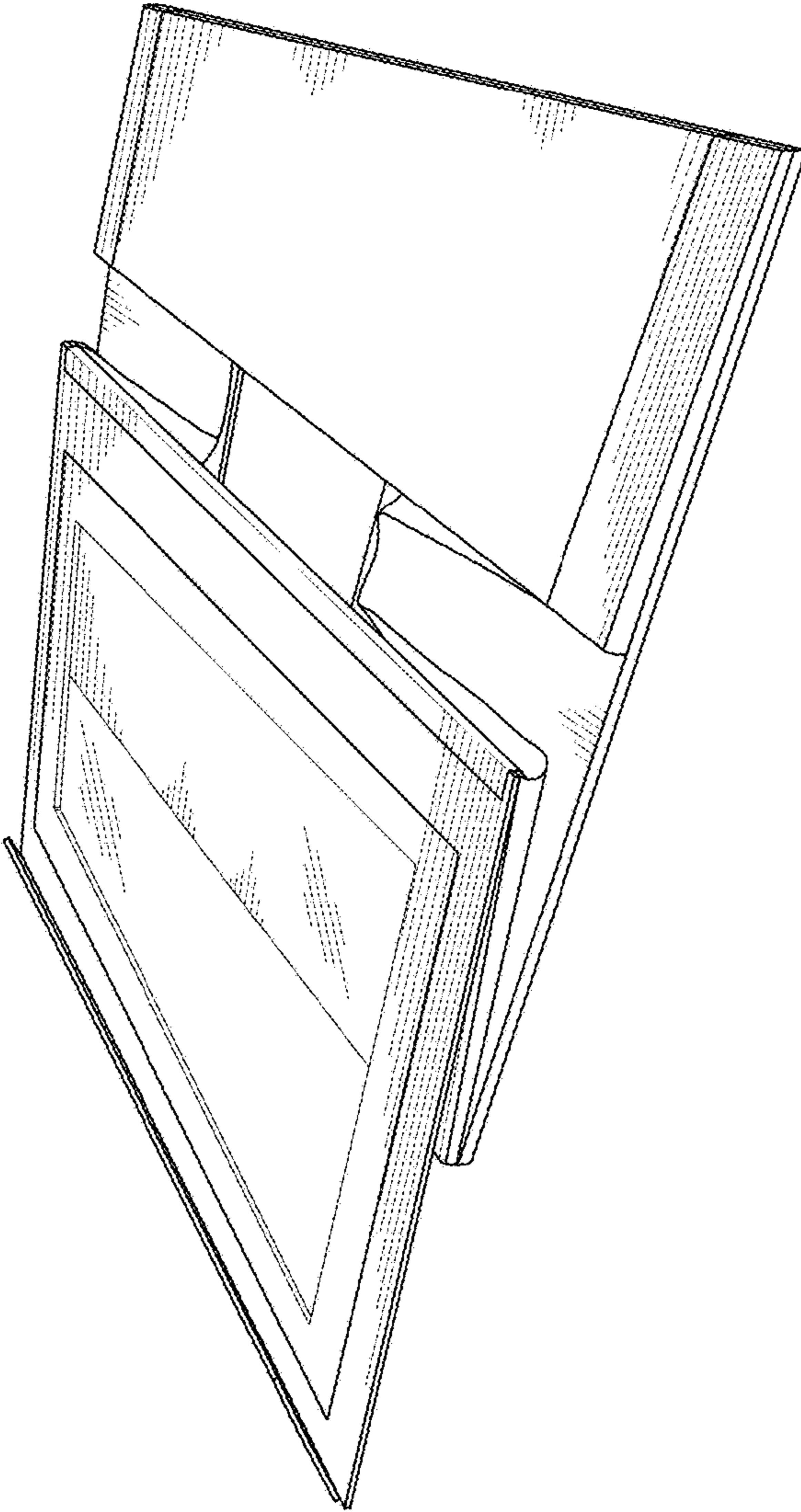


FIG. 2

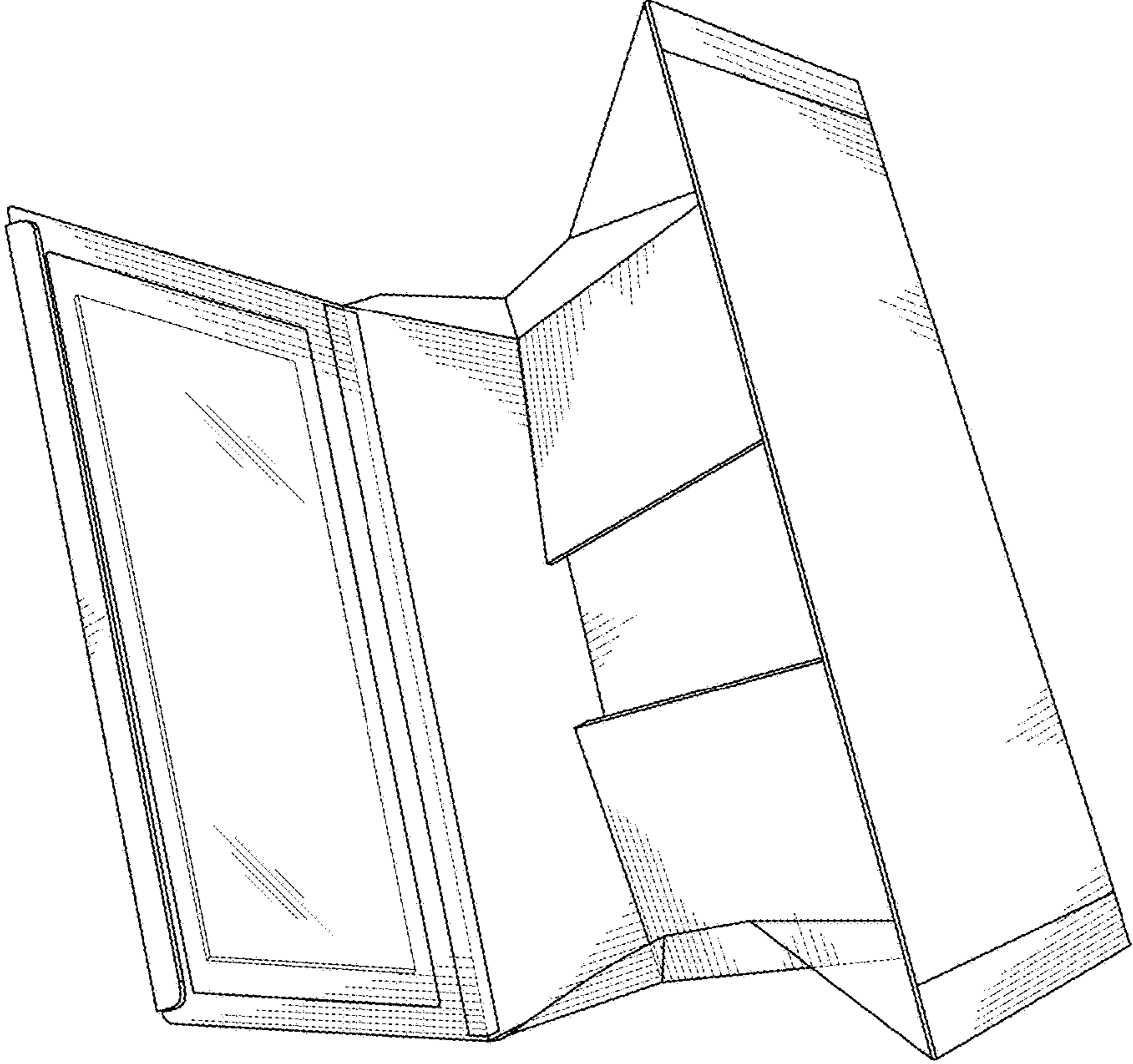


FIG. 3

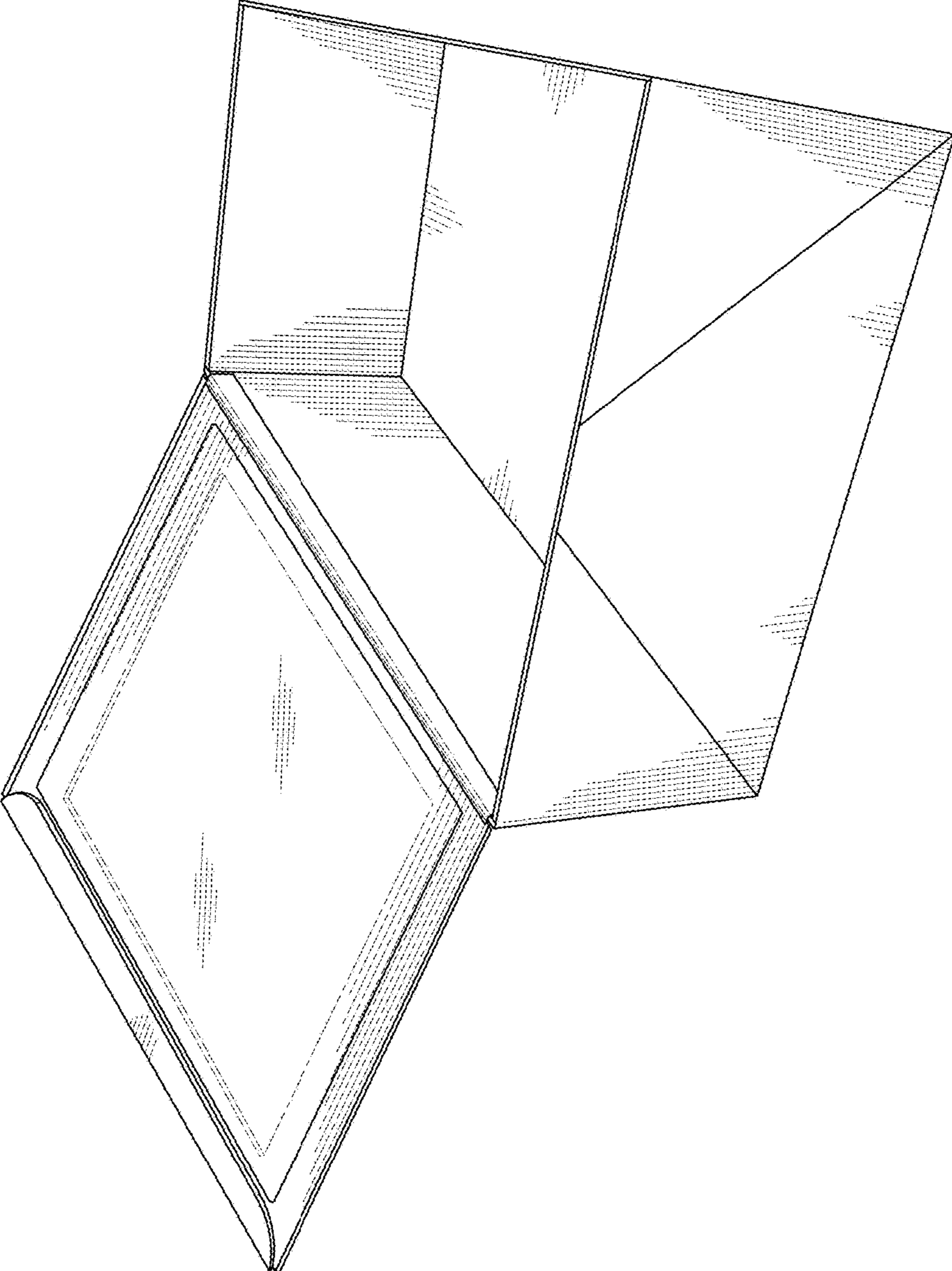


FIG. 4

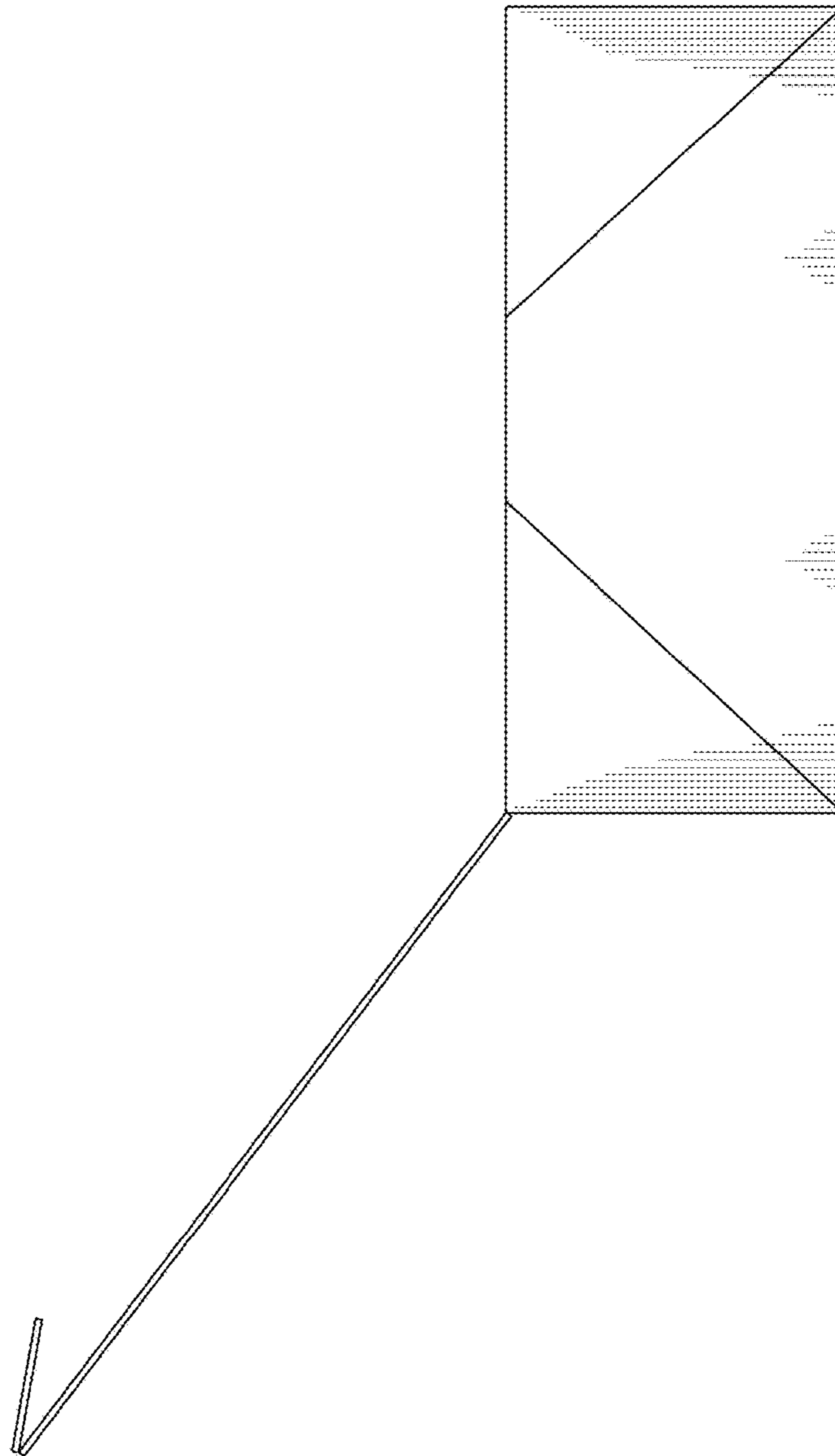


FIG. 5

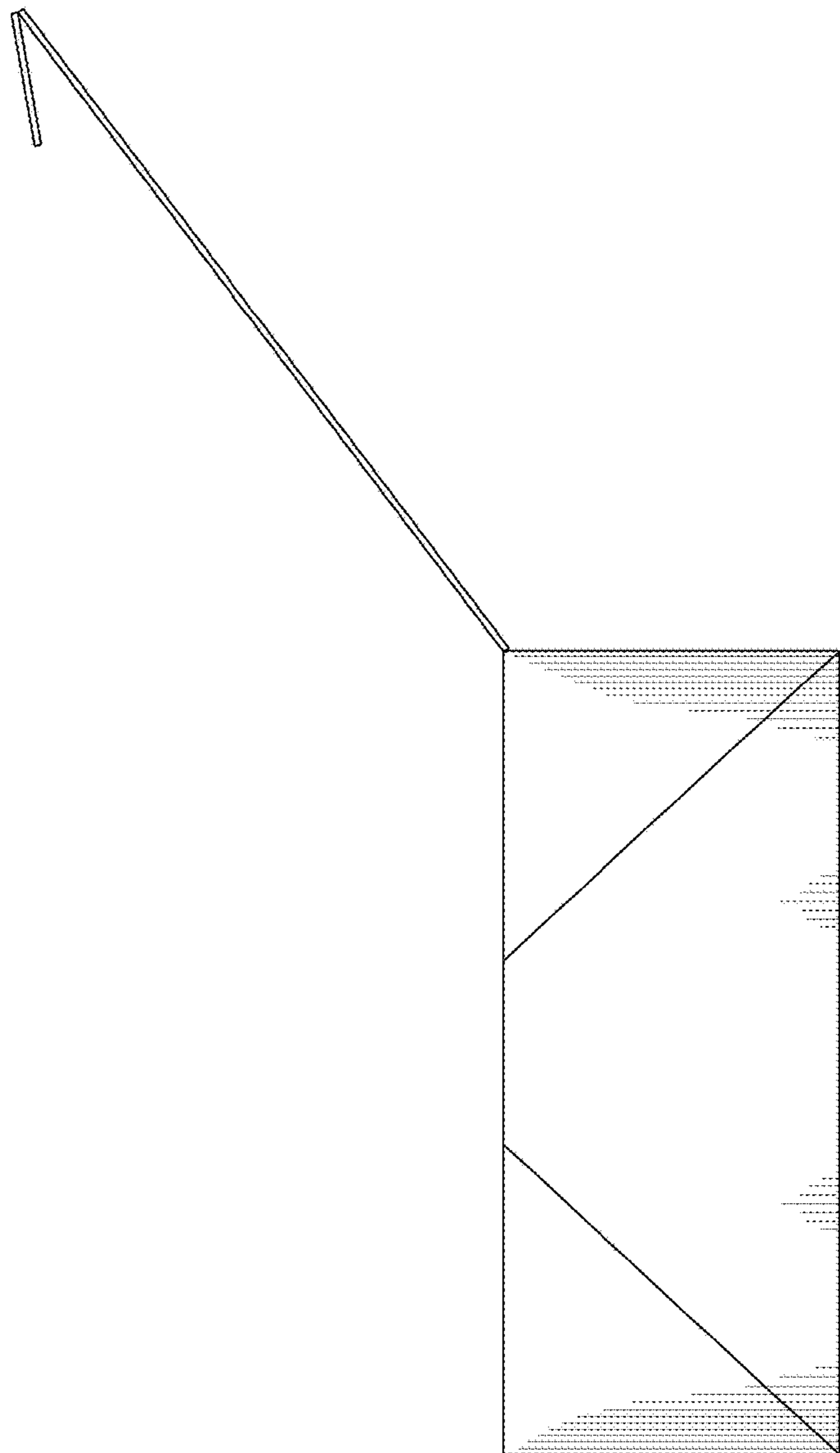


FIG. 6

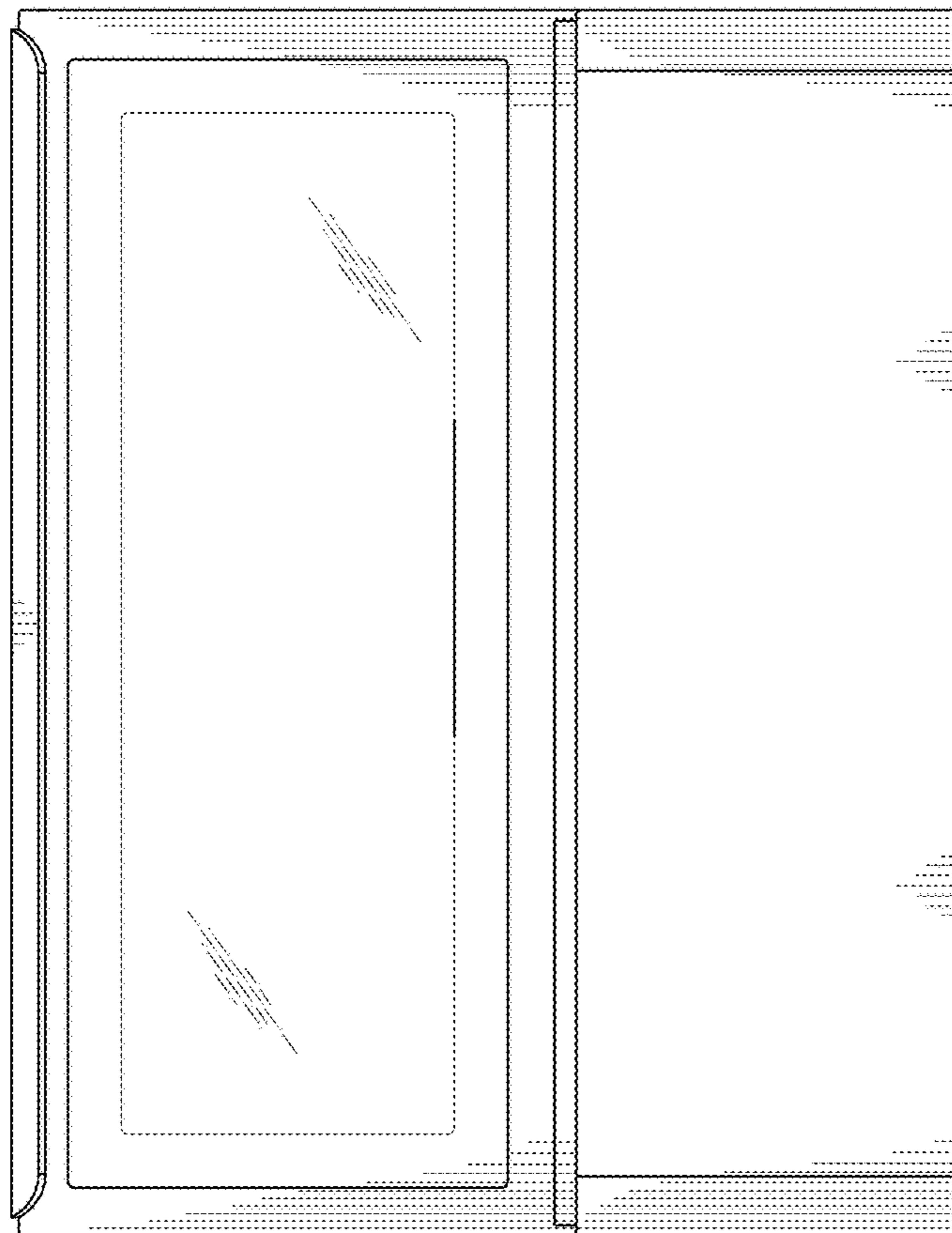


FIG. 7

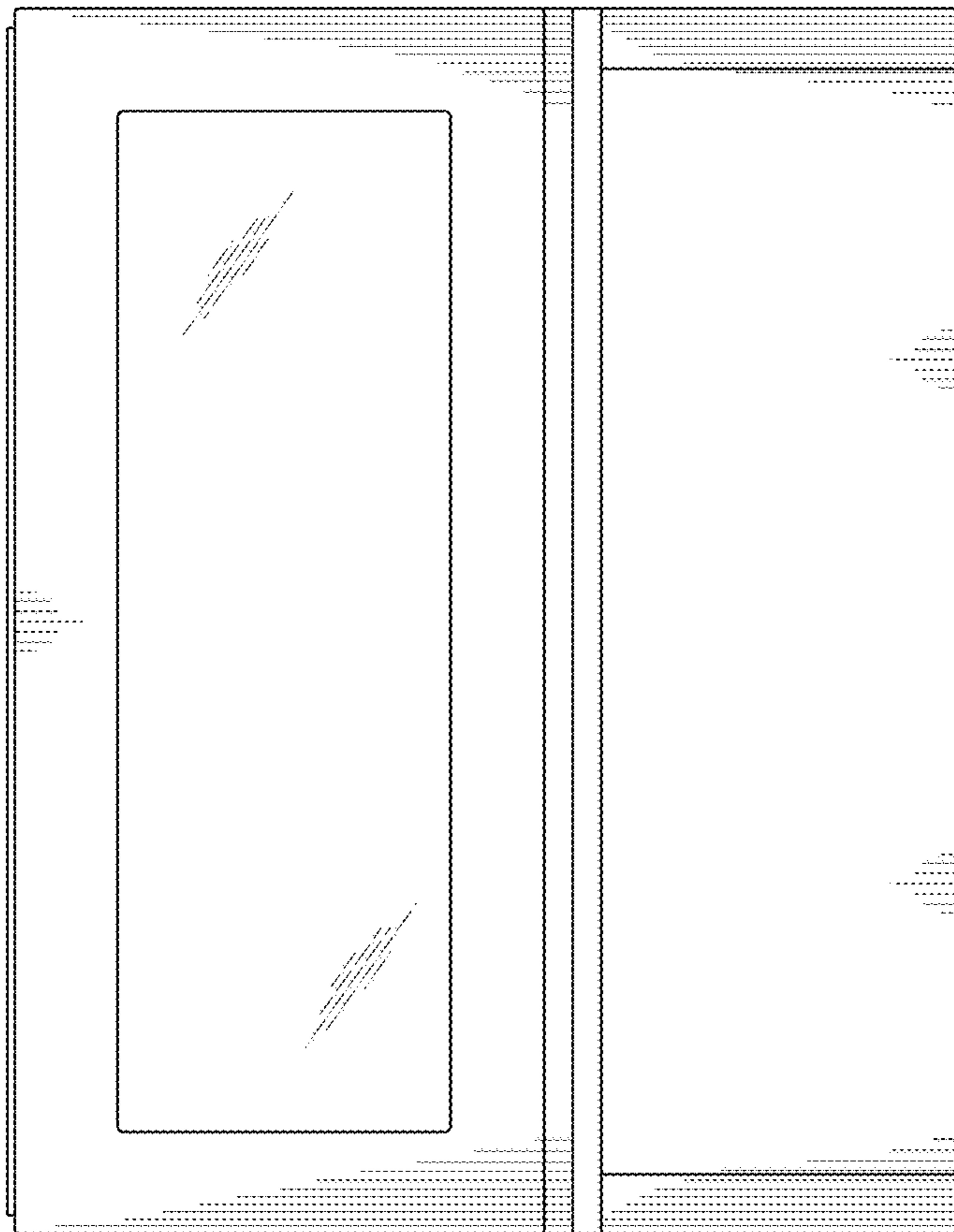


FIG. 8

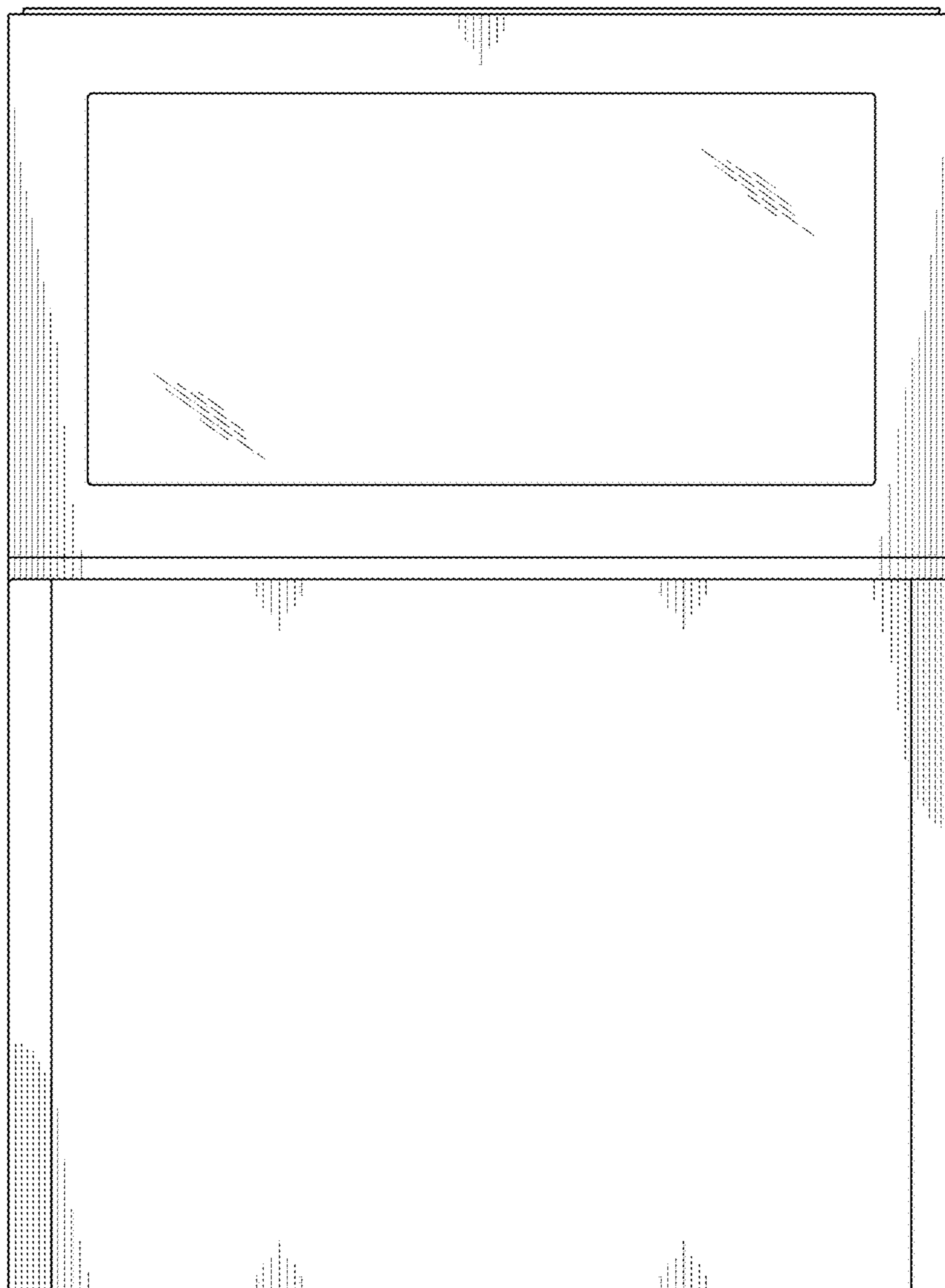


FIG. 9

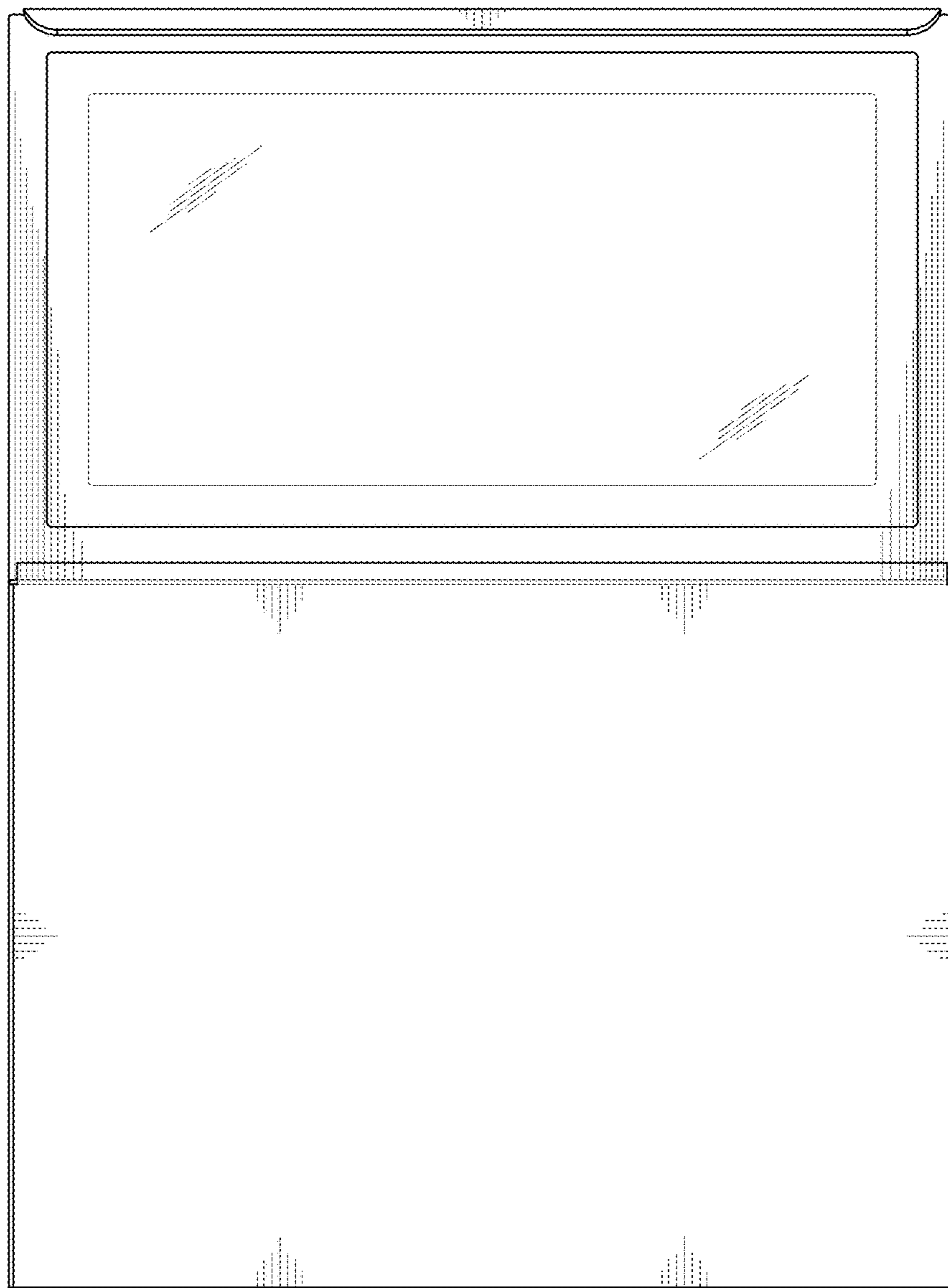


FIG. 10

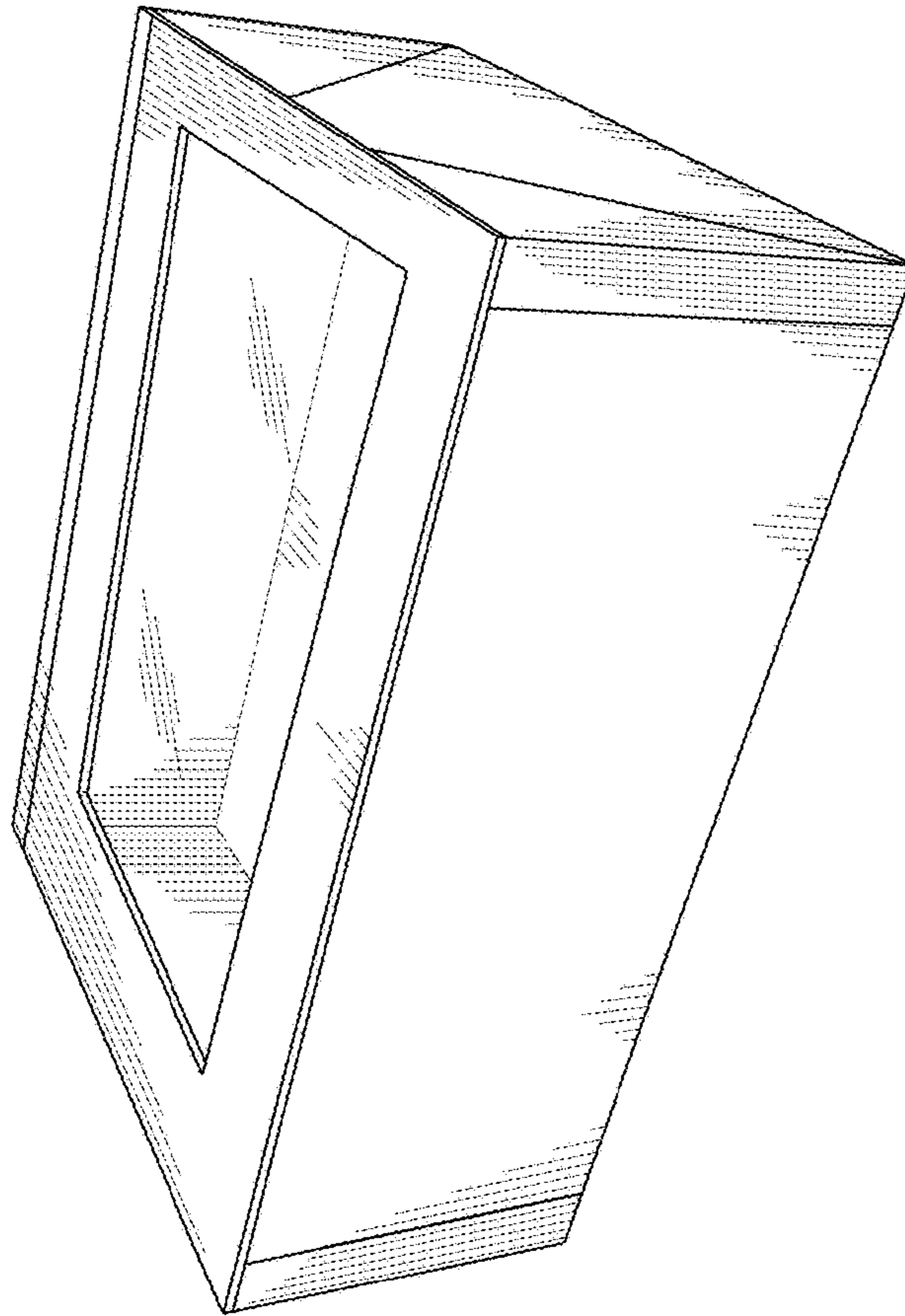


FIG. 11