

US00D860777S

(12) **United States Design Patent**
Giovanni

(10) **Patent No.:** **US D860,777 S**

(45) **Date of Patent:** **** Sep. 24, 2019**

(54) **CARTRIDGE FOR COFFEE MACHINES**

Primary Examiner — Michael A. Pratt

(71) Applicant: **CAFFITALY SYSTEM S.P.A.**, Gaggio Montano (IT)

(57) **CLAIM**

The ornamental design for cartridge for coffee machines, as shown and described.

(72) Inventor: **Accursi Giovanni**, Alto Reno Terme (IT)

(**) Term: **15 Years**

DESCRIPTION

(21) Appl. No.: **35/505,275**

1.-4. Cartridge for coffee machines

(22) Filed: **Jan. 12, 2018**

1.1 : Perspective

1.2 : Bottom

1.3 : Front

1.4 : Right

1.5 : Top

(80) **Hague Agreement Data**

Int. Filing Date: **Jan. 12, 2018**

Int. Reg. No.: **DM/099272**

Int. Reg. Date: **Jan. 12, 2018**

Int. Reg. Pub. Date: **Jul. 13, 2018**

2.1 : Perspective

2.2 : Bottom

2.3 : Front

2.4 : Right

2.5 : Top

(51) **LOC (12) Cl.** **09-03**

(52) **U.S. Cl.**

USPC **D9/416; D9/428**

(58) **Field of Classification Search**

USPC D9/419, 428

CPC B65D 29/02

See application file for complete search history.

3.1 : Perspective

3.2 : Bottom

3.3 : Front

3.4 : Right

3.5 : Top

(56) **References Cited**

U.S. PATENT DOCUMENTS

D732,386 S * 6/2015 Paton D9/428

D732,387 S * 6/2015 Paton D9/428

D734,665 S * 7/2015 Cahen D9/428

D745,824 S * 12/2015 Ritter D9/416

D753,480 S * 4/2016 Paton D9/416

D764,270 S * 8/2016 Paton D9/416

10,279,938 B2 * 5/2019 Cavazza B65D 29/02

2016/0280453 A1 * 9/2016 Accursi B65D 85/8043

2017/0158422 A1 * 6/2017 Andreae B65D 65/466

4.1 : Perspective

4.2 : Bottom

4.3 : Front

4.4 : Left

4.5 : Right

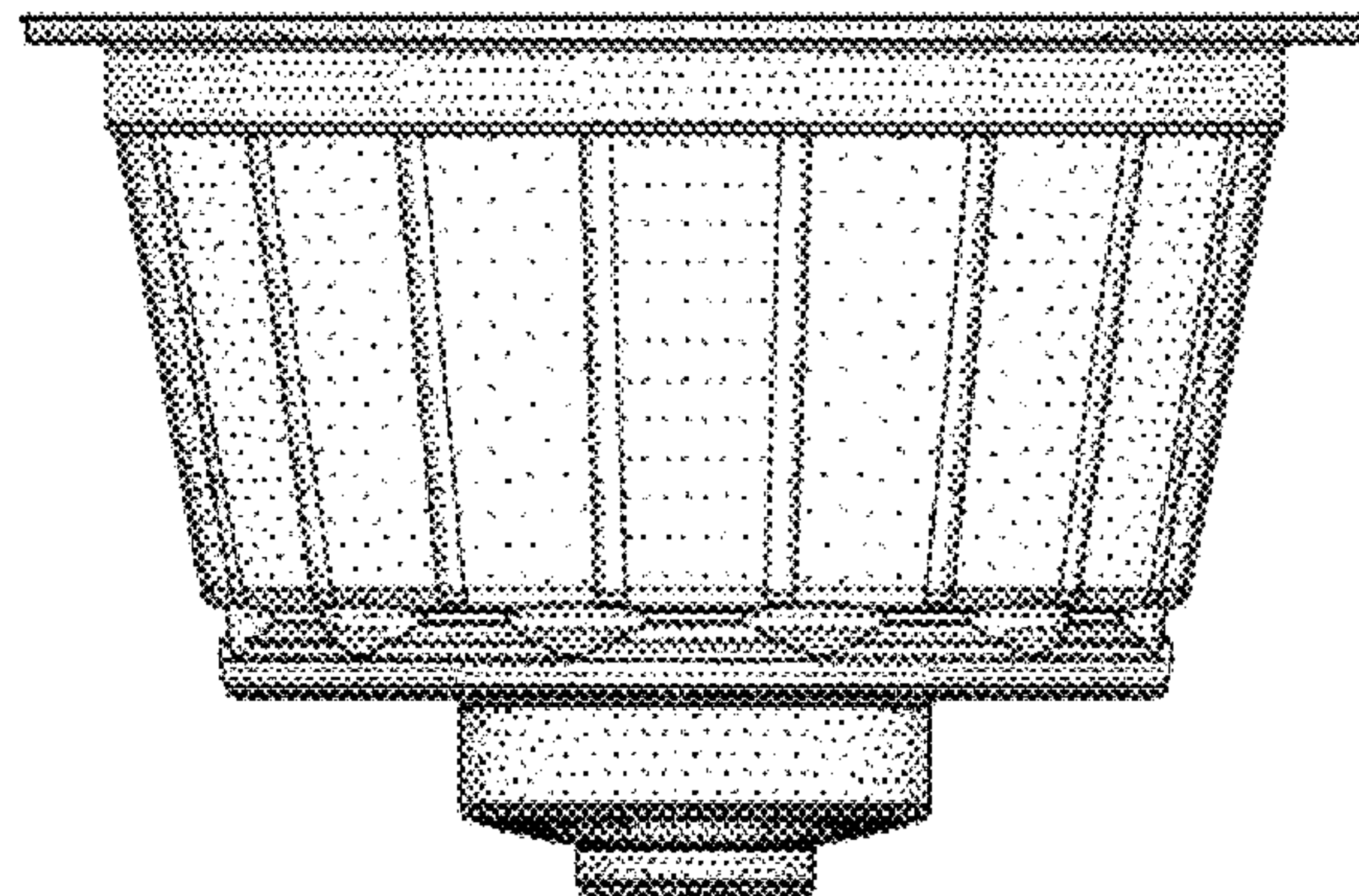
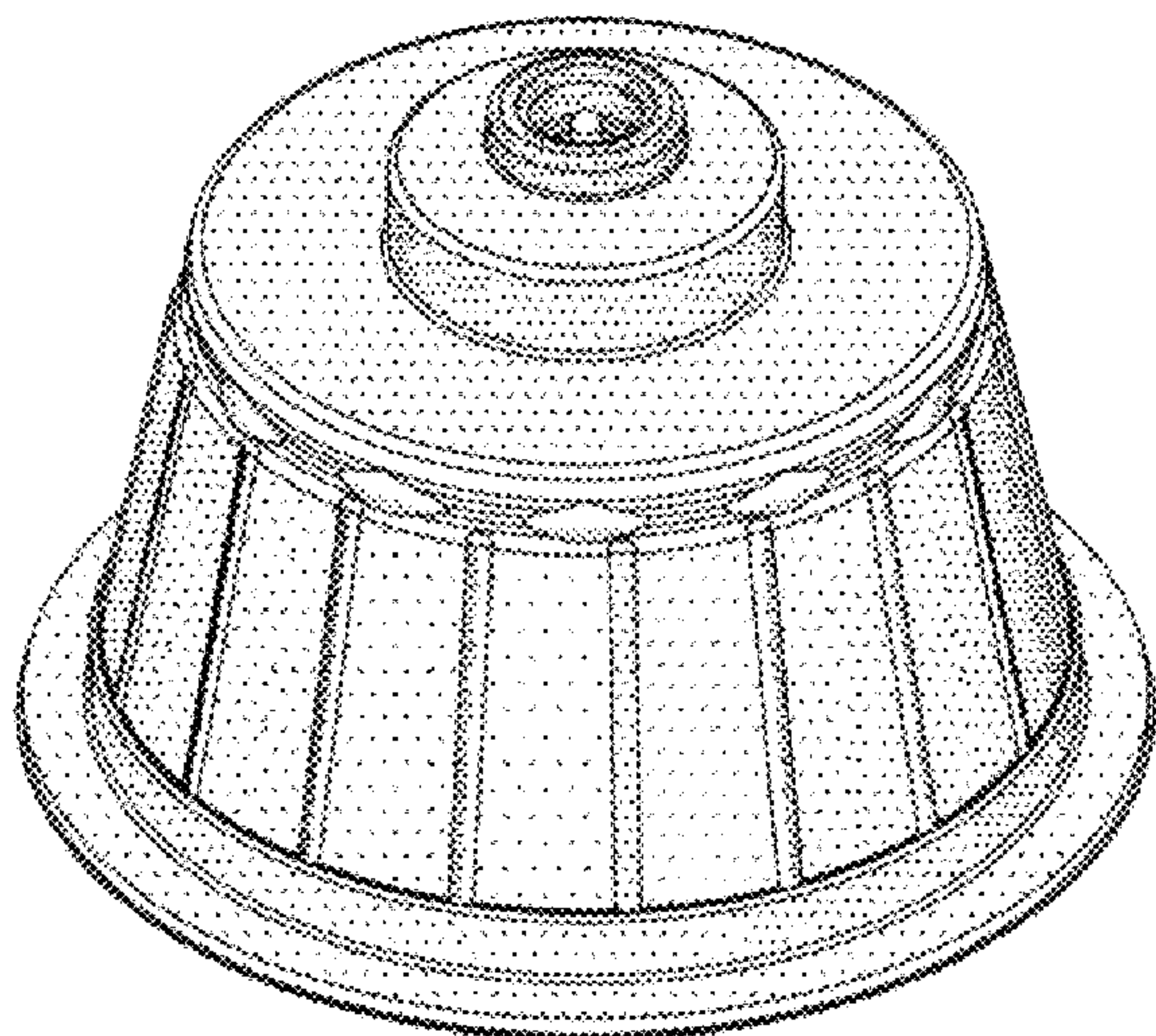
4.6 : Back

4.7 : Top

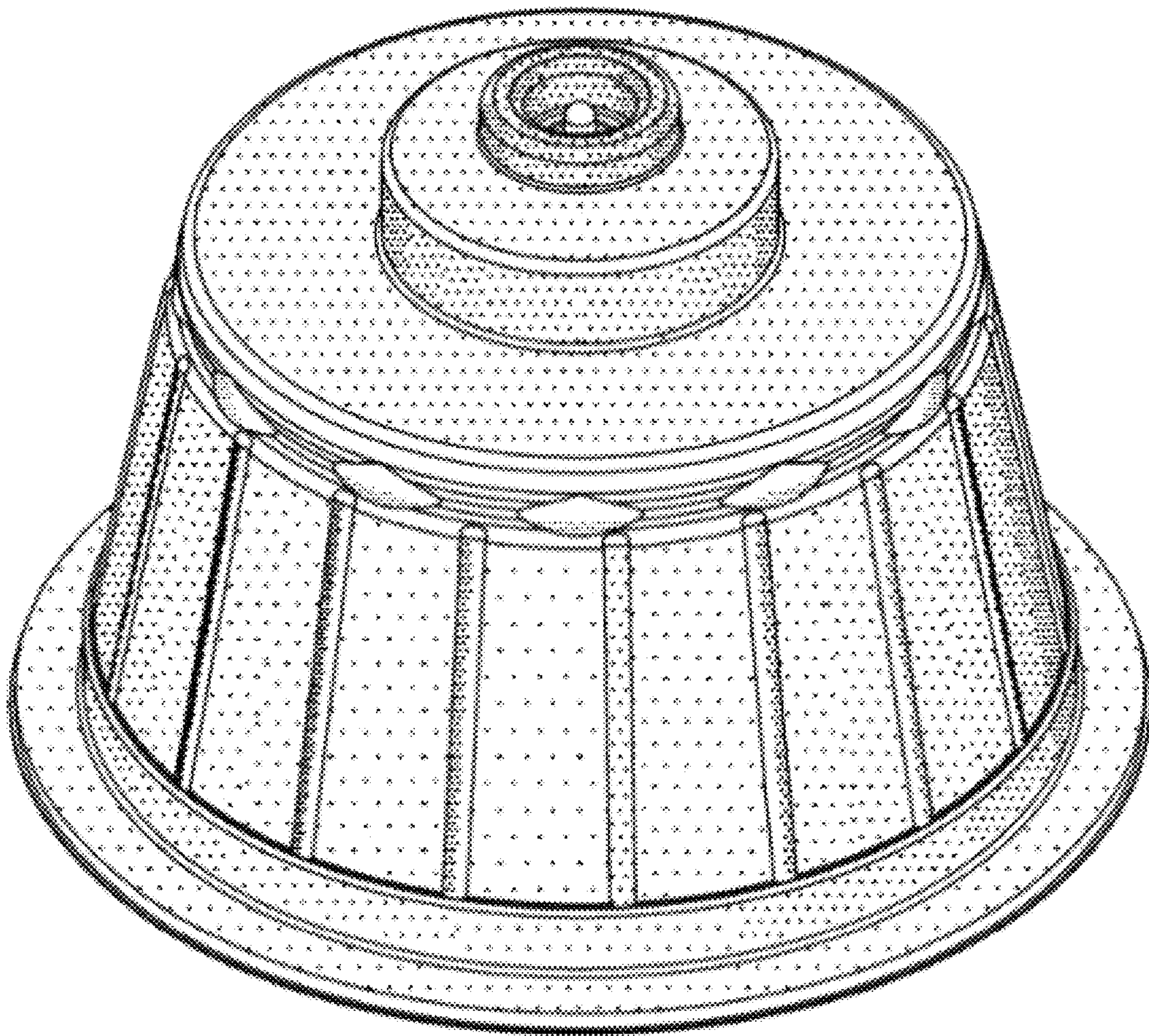
Four designs of capsules to be used in beverage preparation machines to produce beverages by passing hot water through a substance contained in the capsule; for designs **1, 2, 3** the left view is identical to the right view and the back view is identical to the front view; for designs **1, 3, 4** stipple shadings indicate opaque surfaces, while linear shadings indicate shiny surfaces.

* cited by examiner

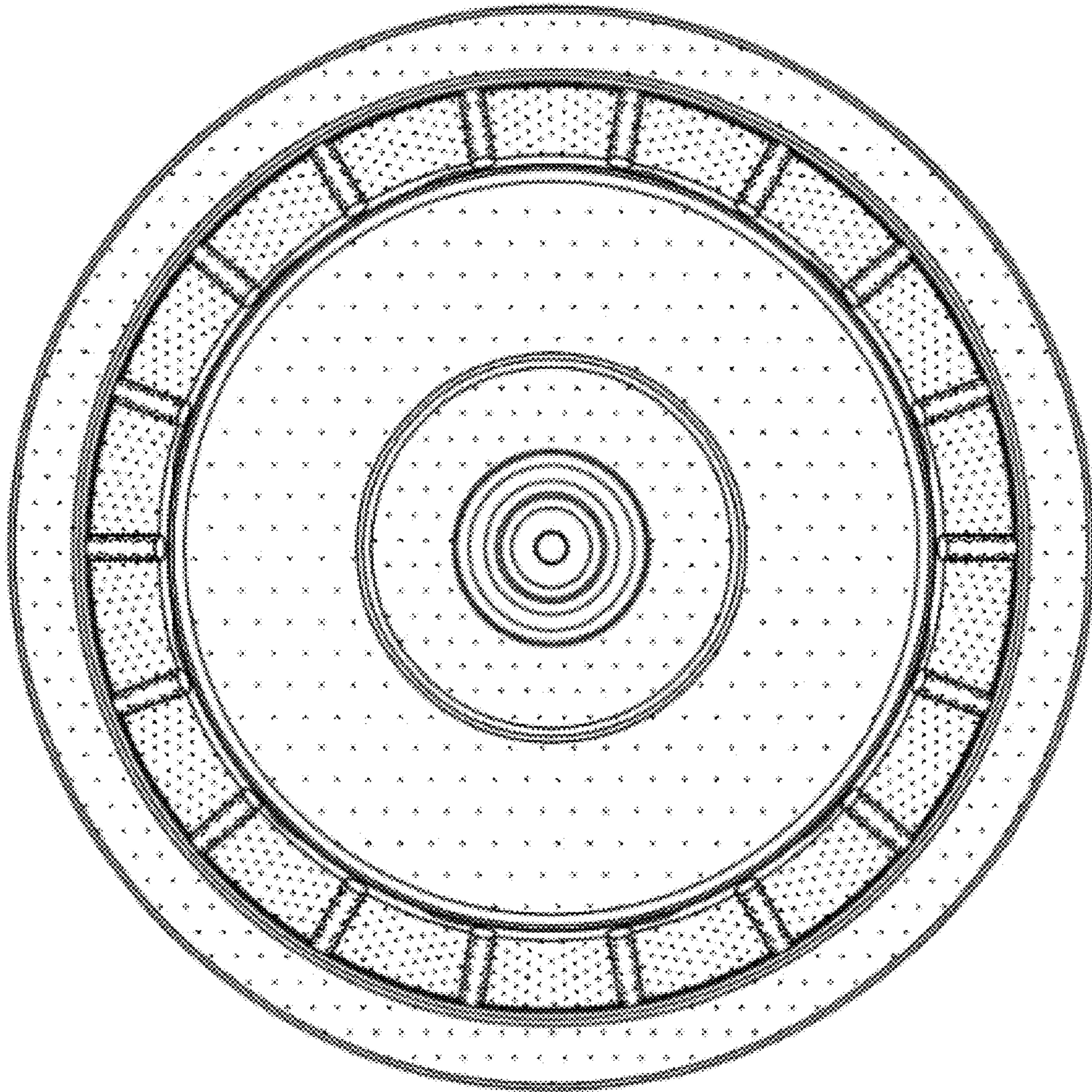
1 Claim, 22 Drawing Sheets



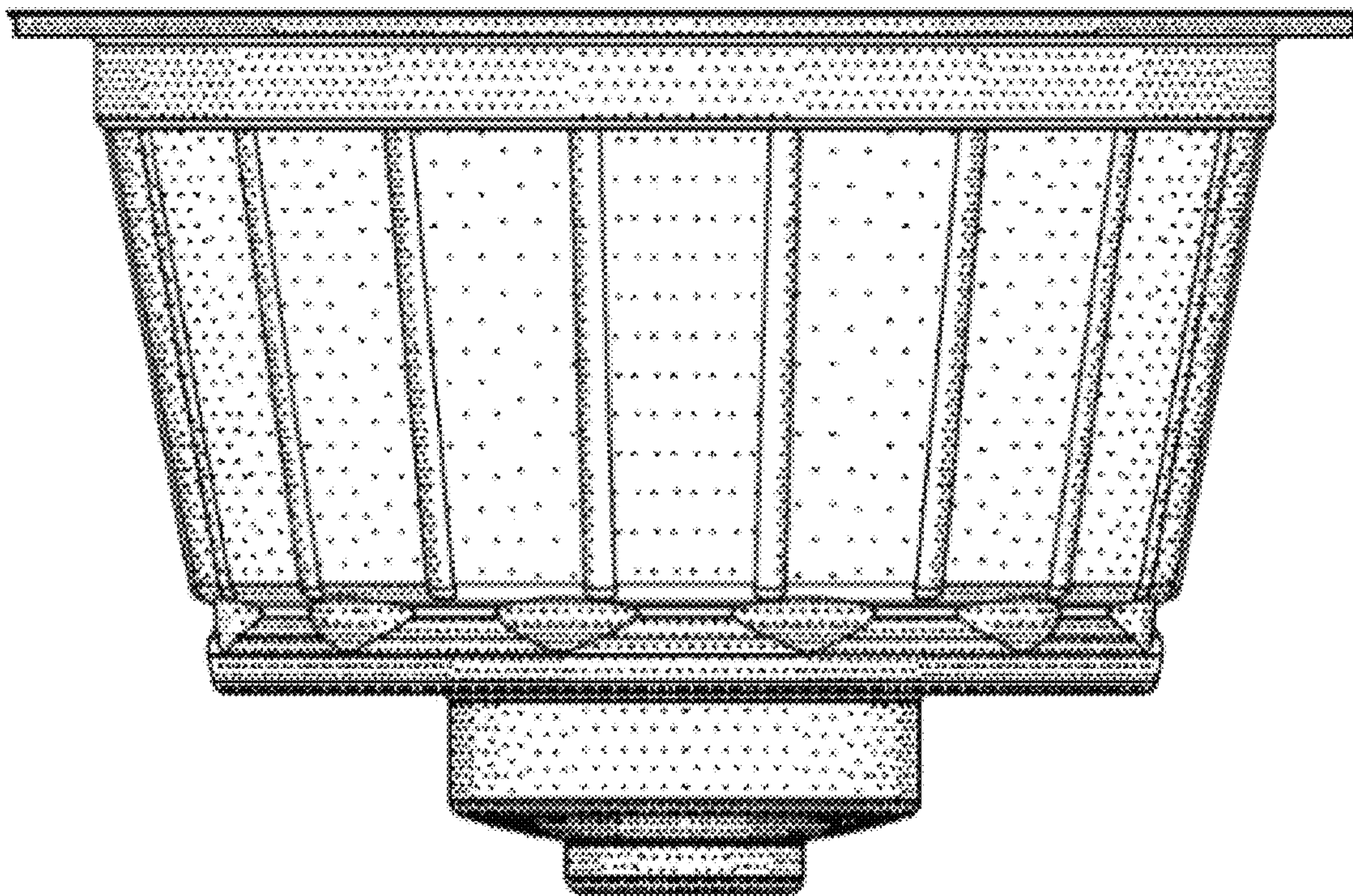
1.1



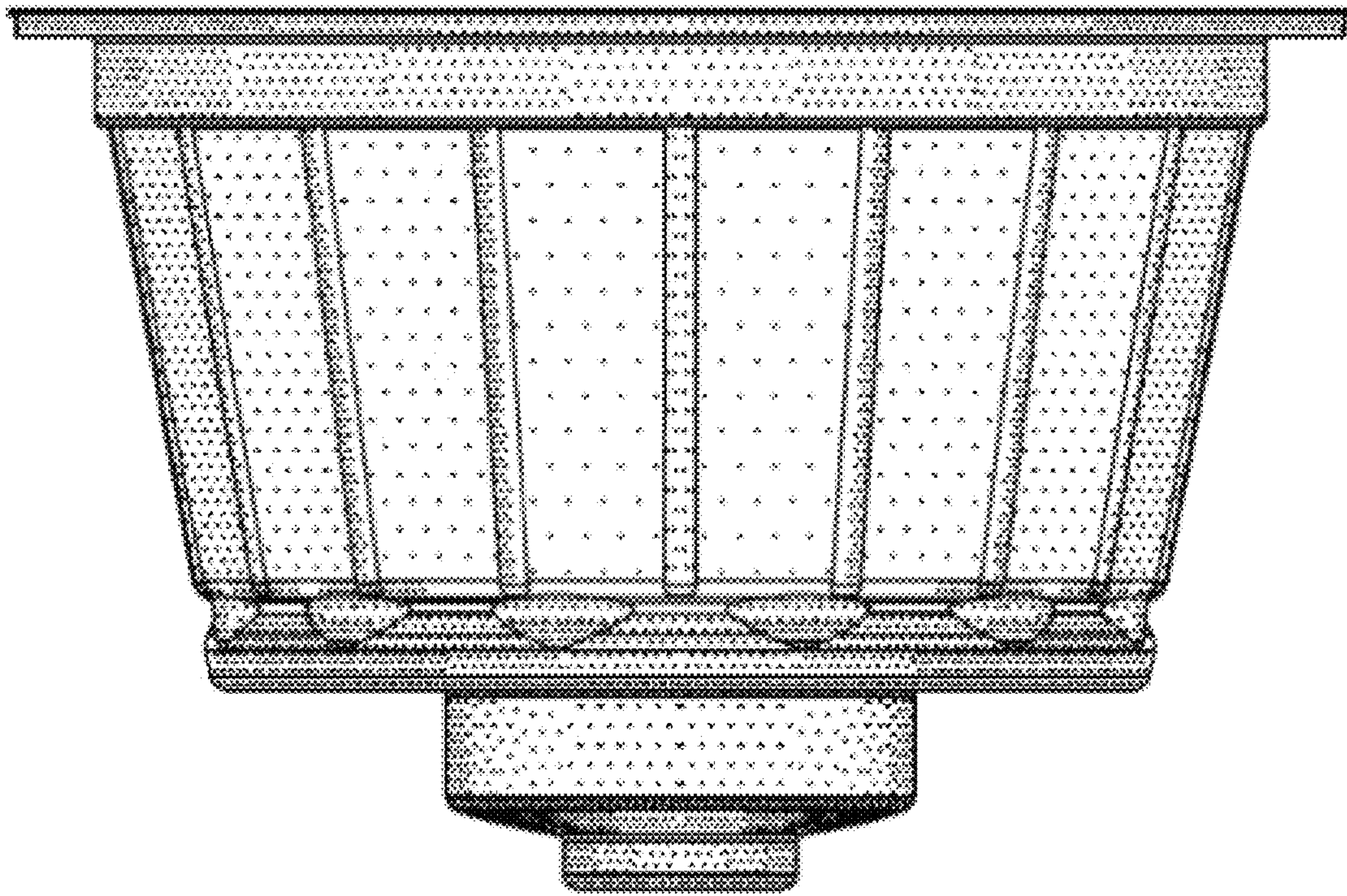
1.2



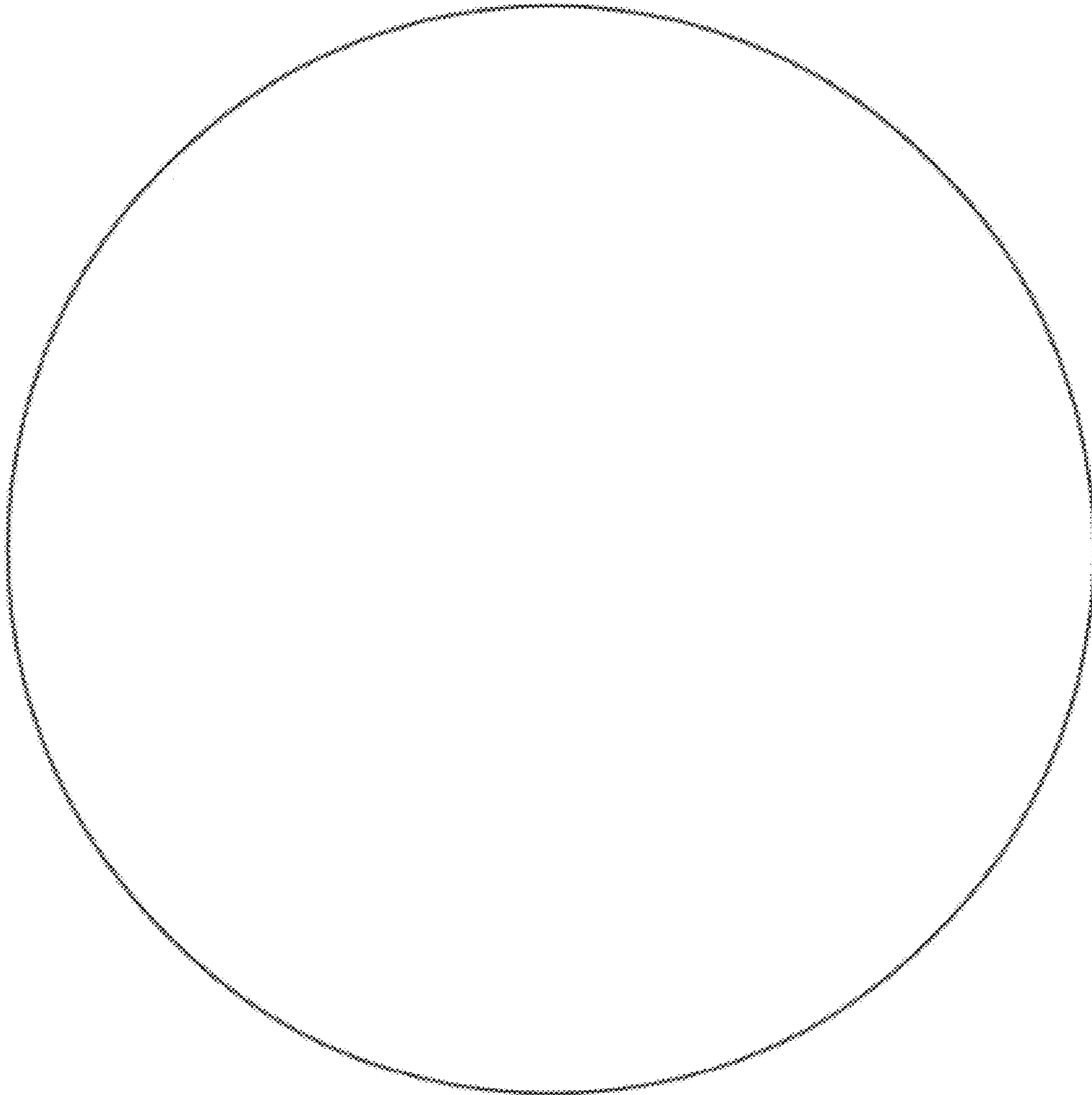
1.3



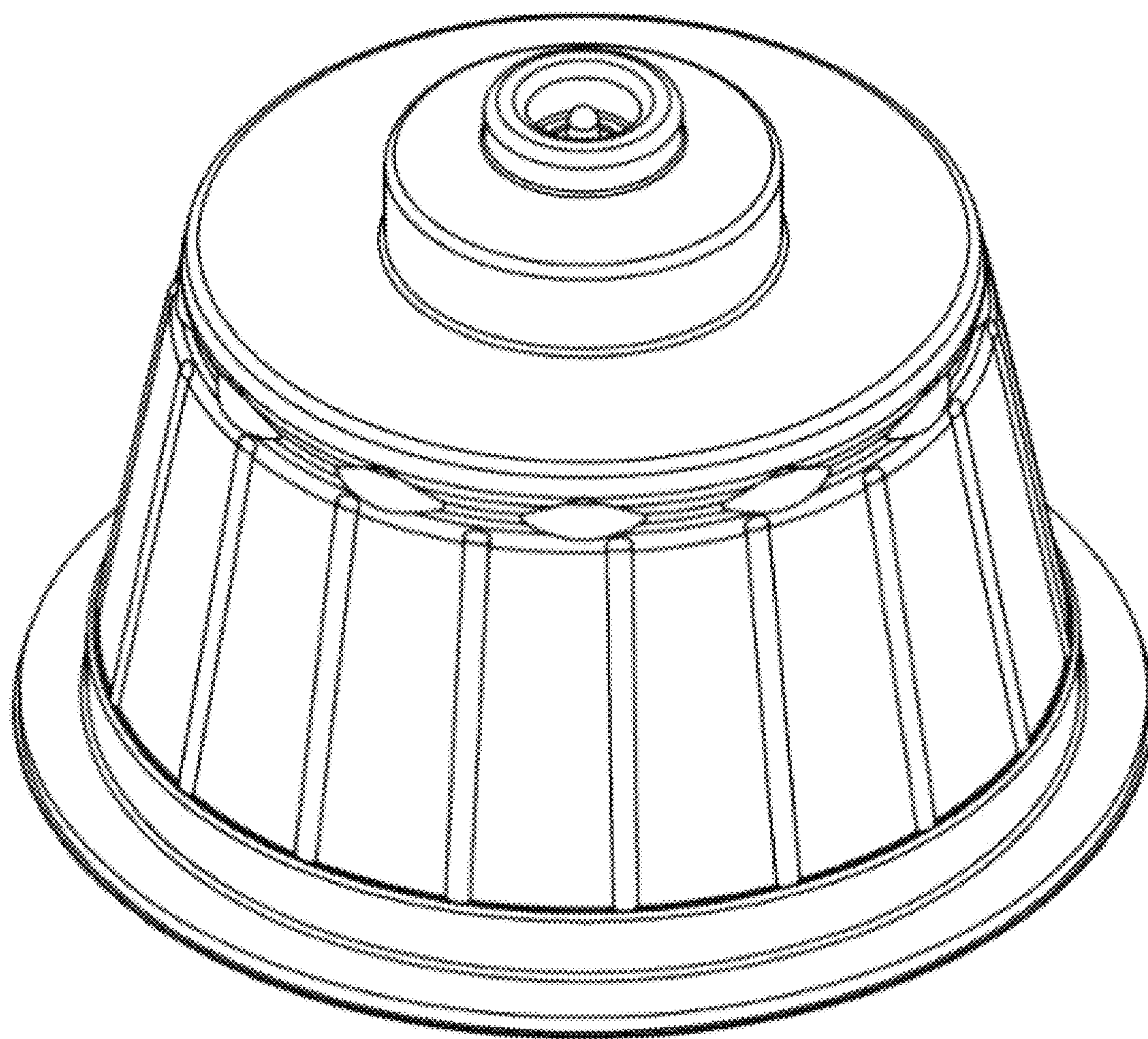
1.4



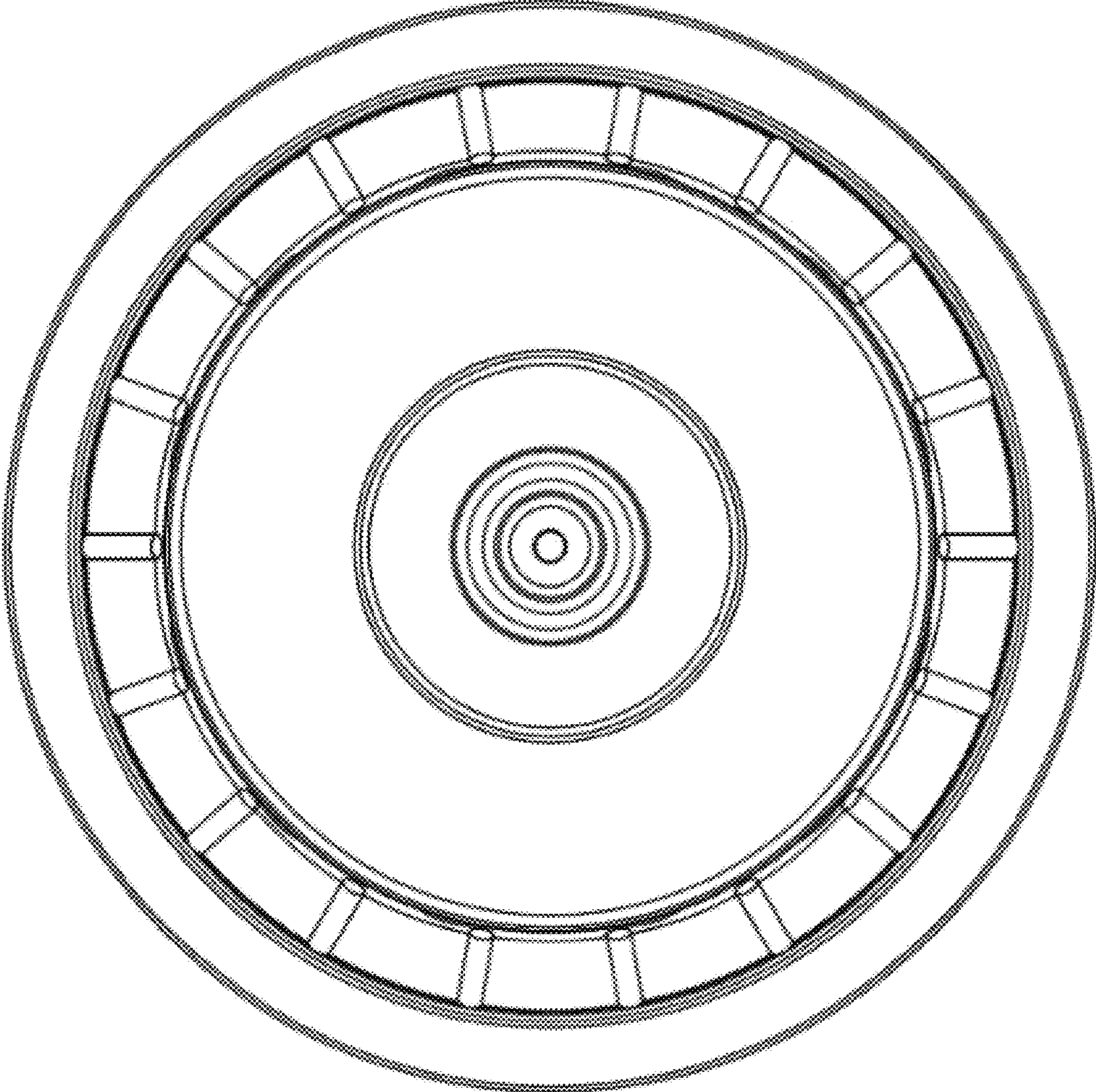
1.5



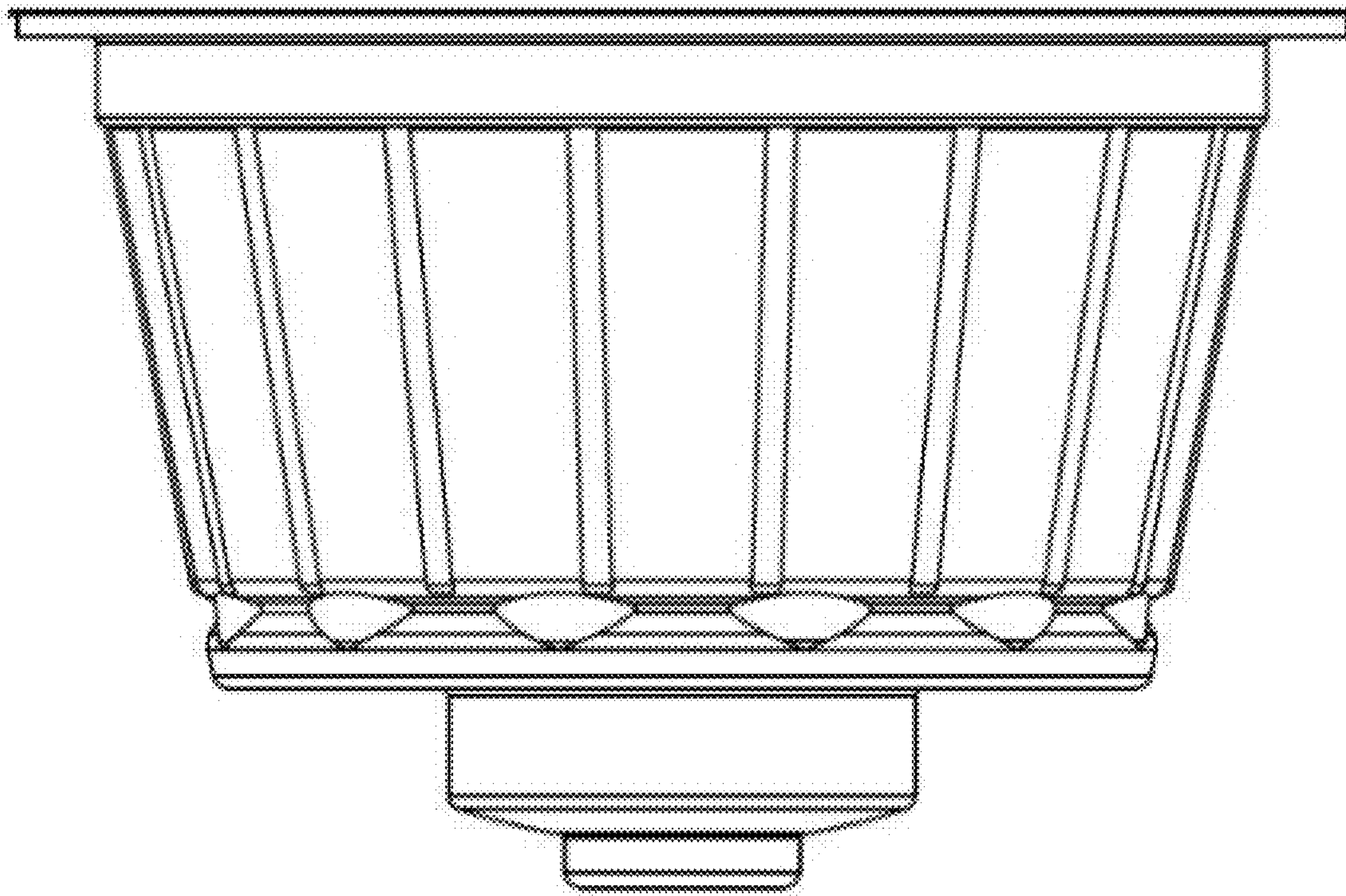
2.1



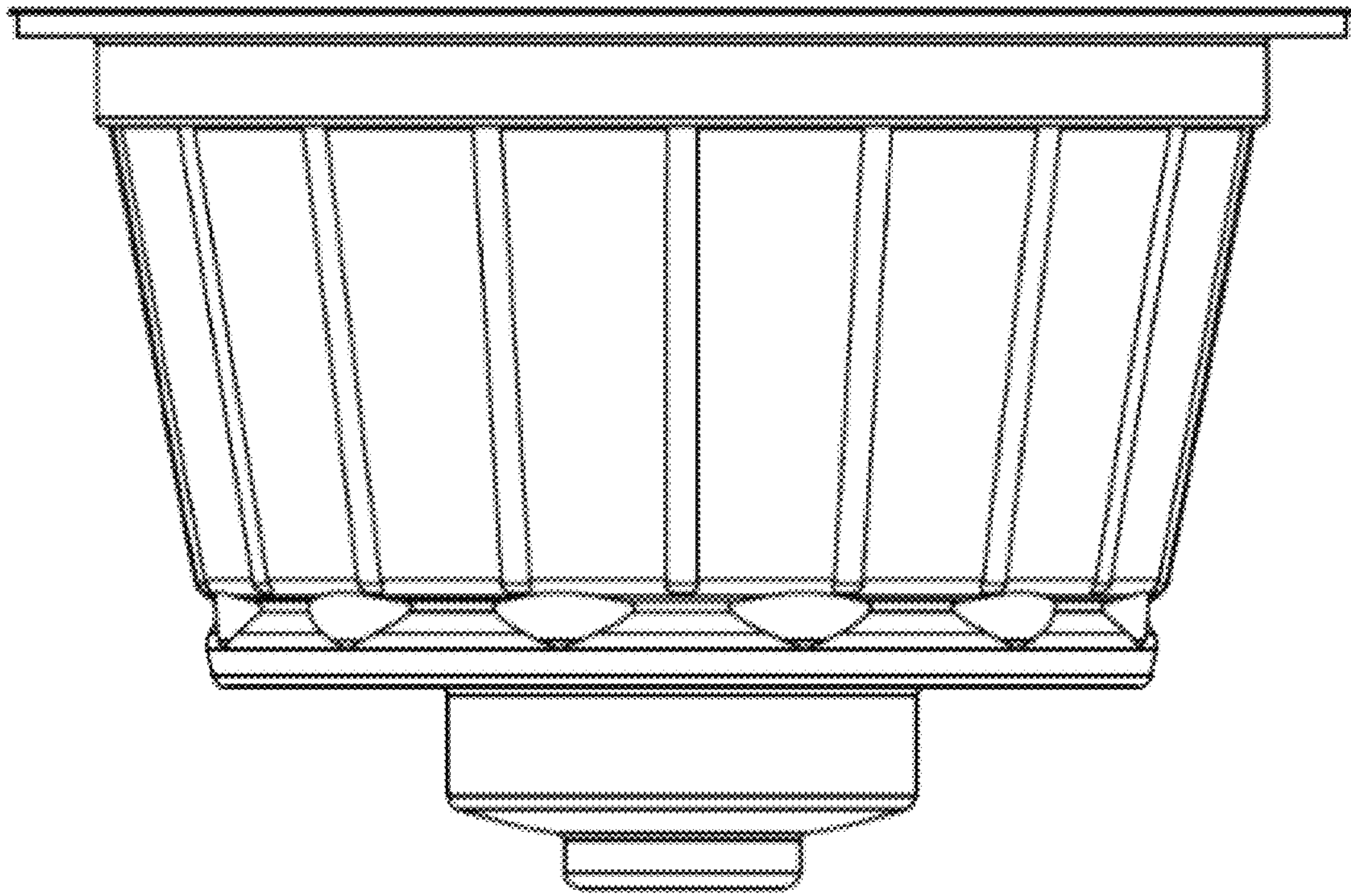
2.2



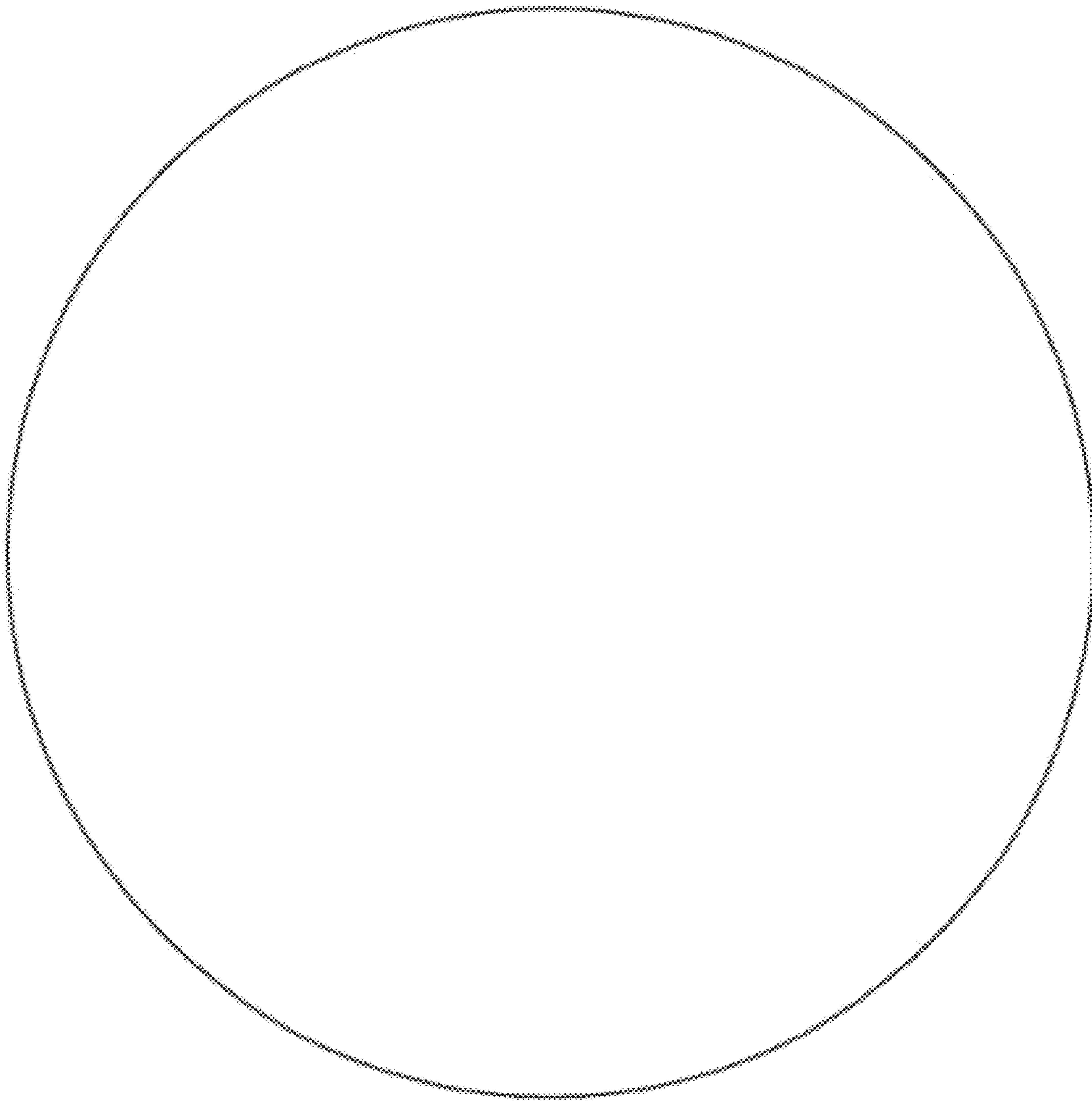
2.3



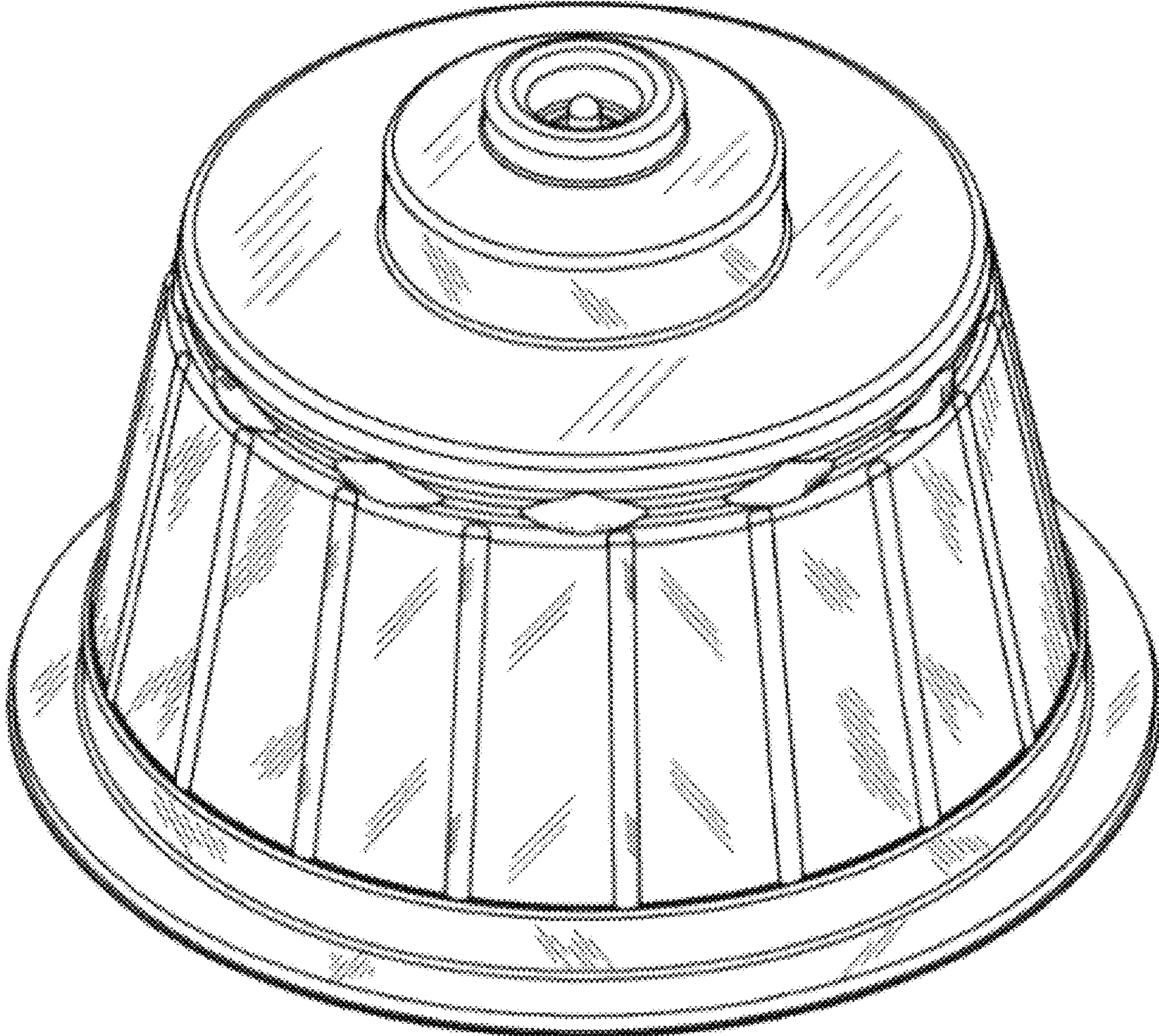
2.4



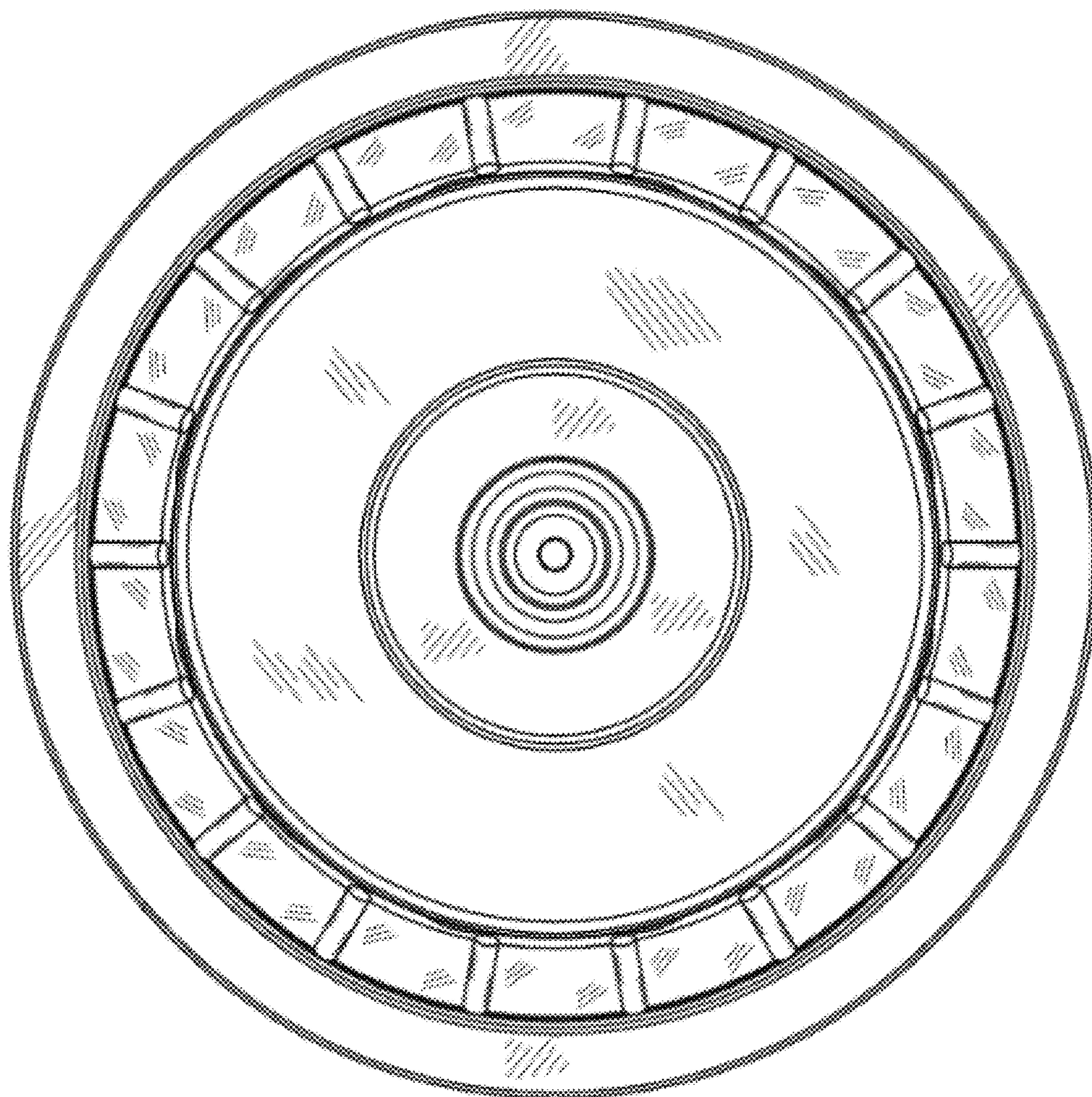
2.5



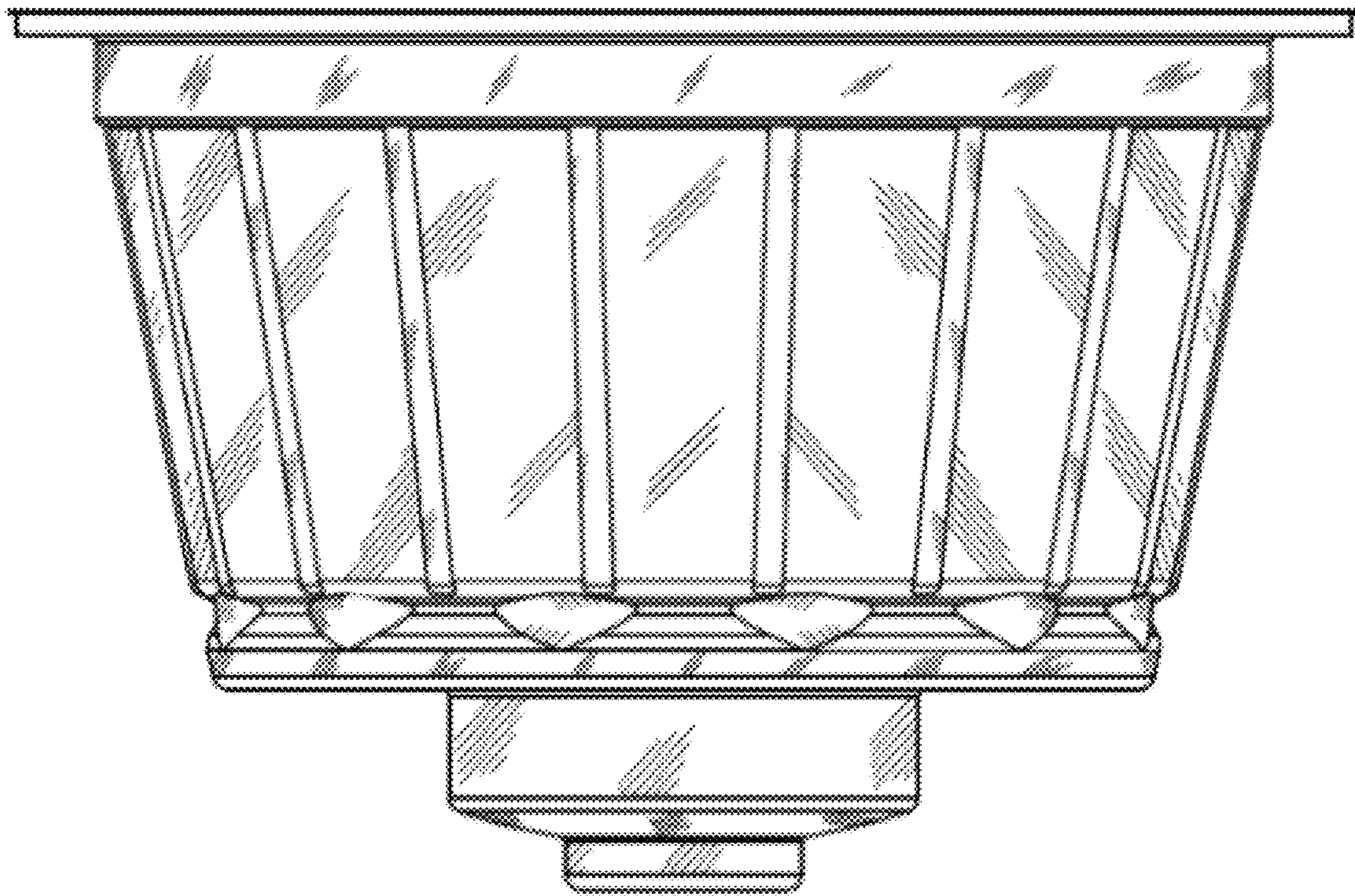
3.1



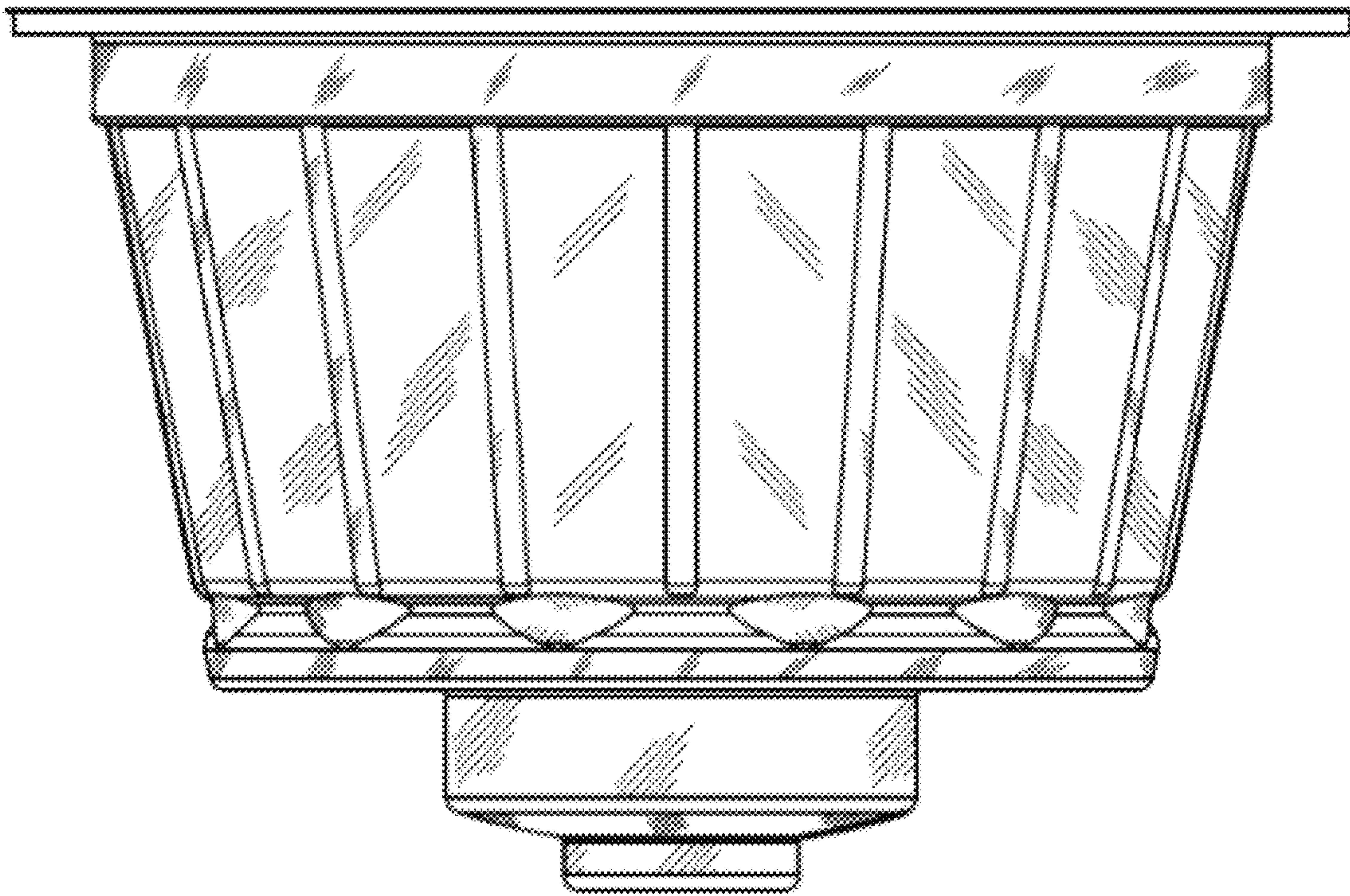
3.2



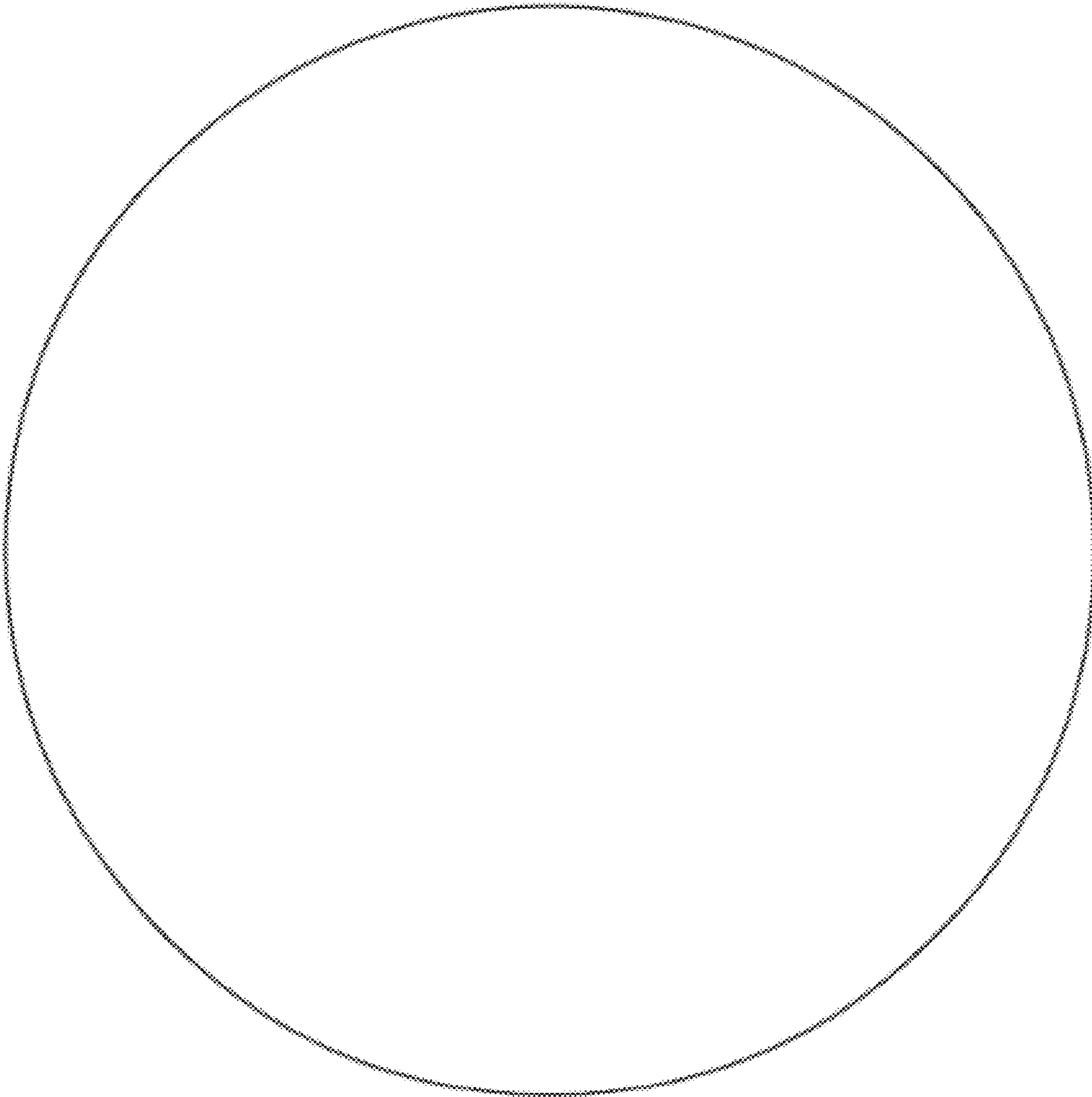
3.3



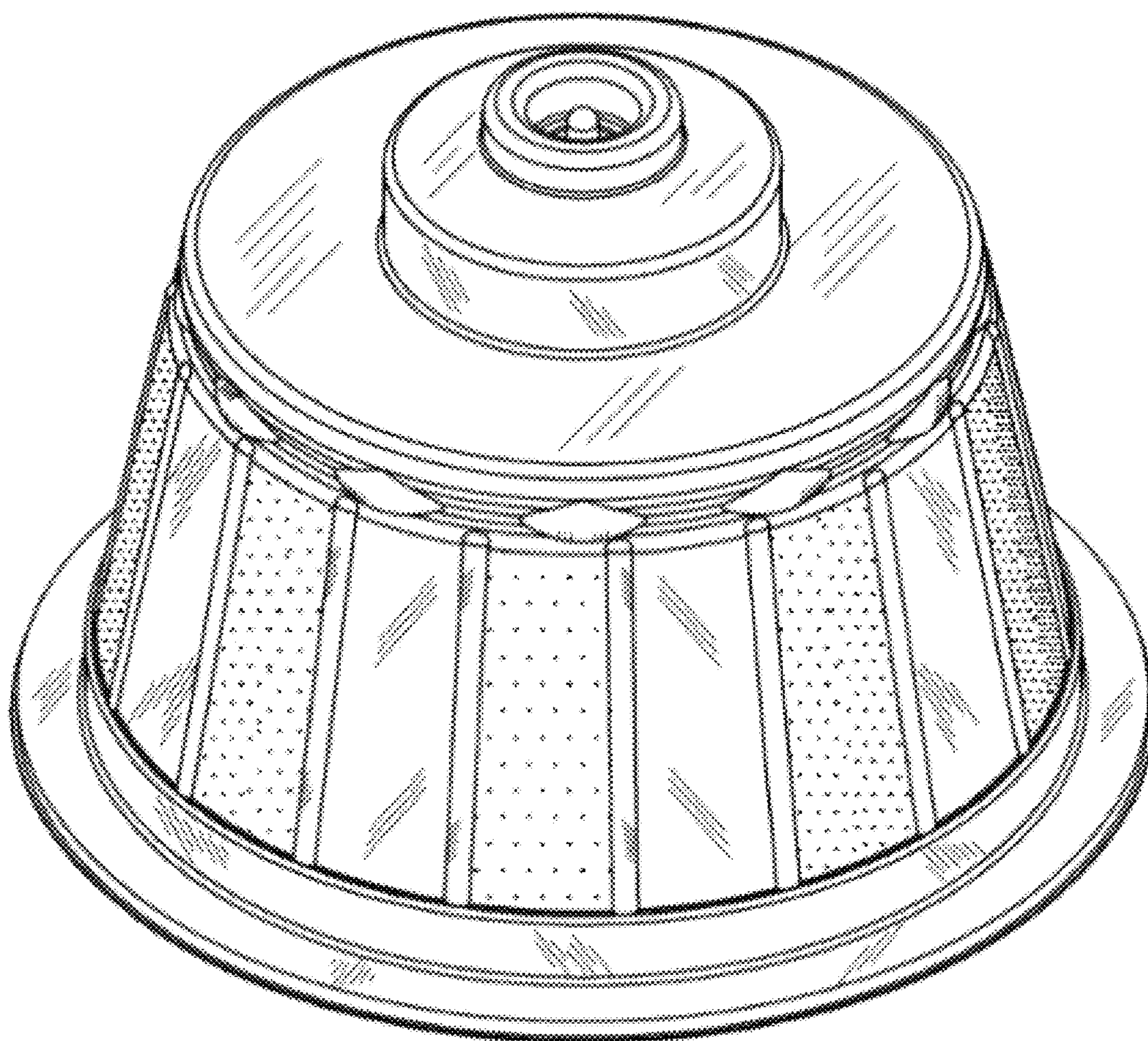
3.4



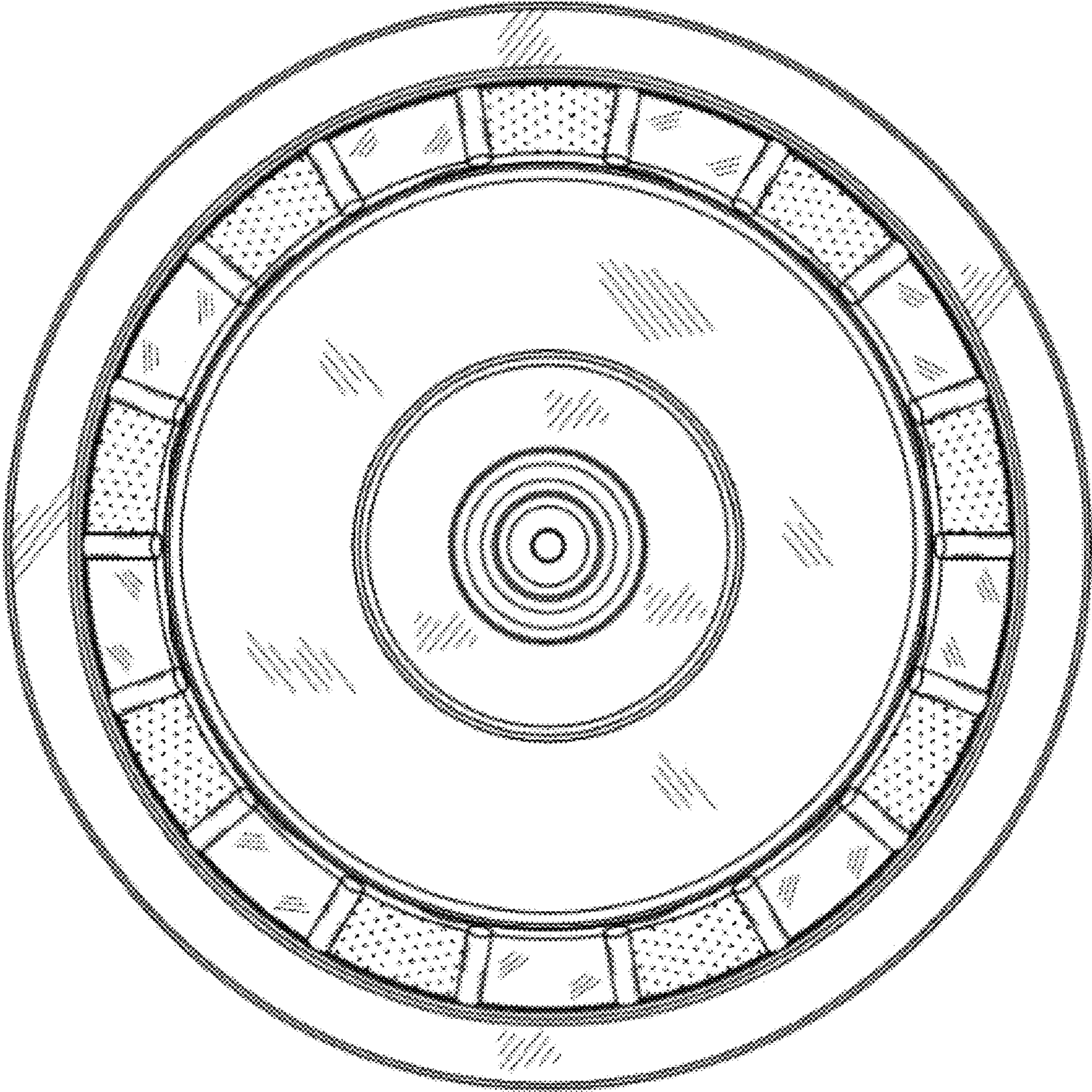
3.5



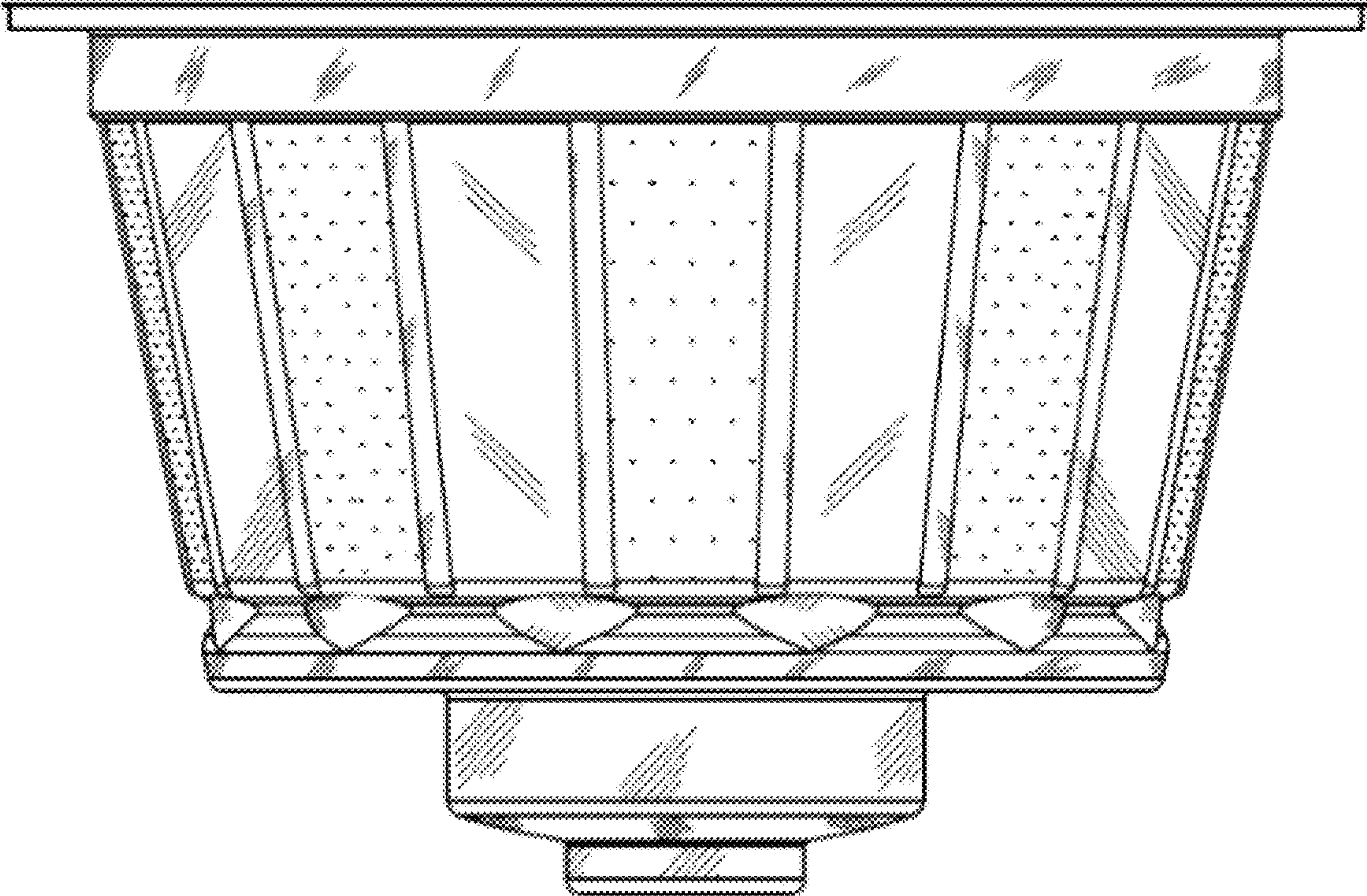
4.1



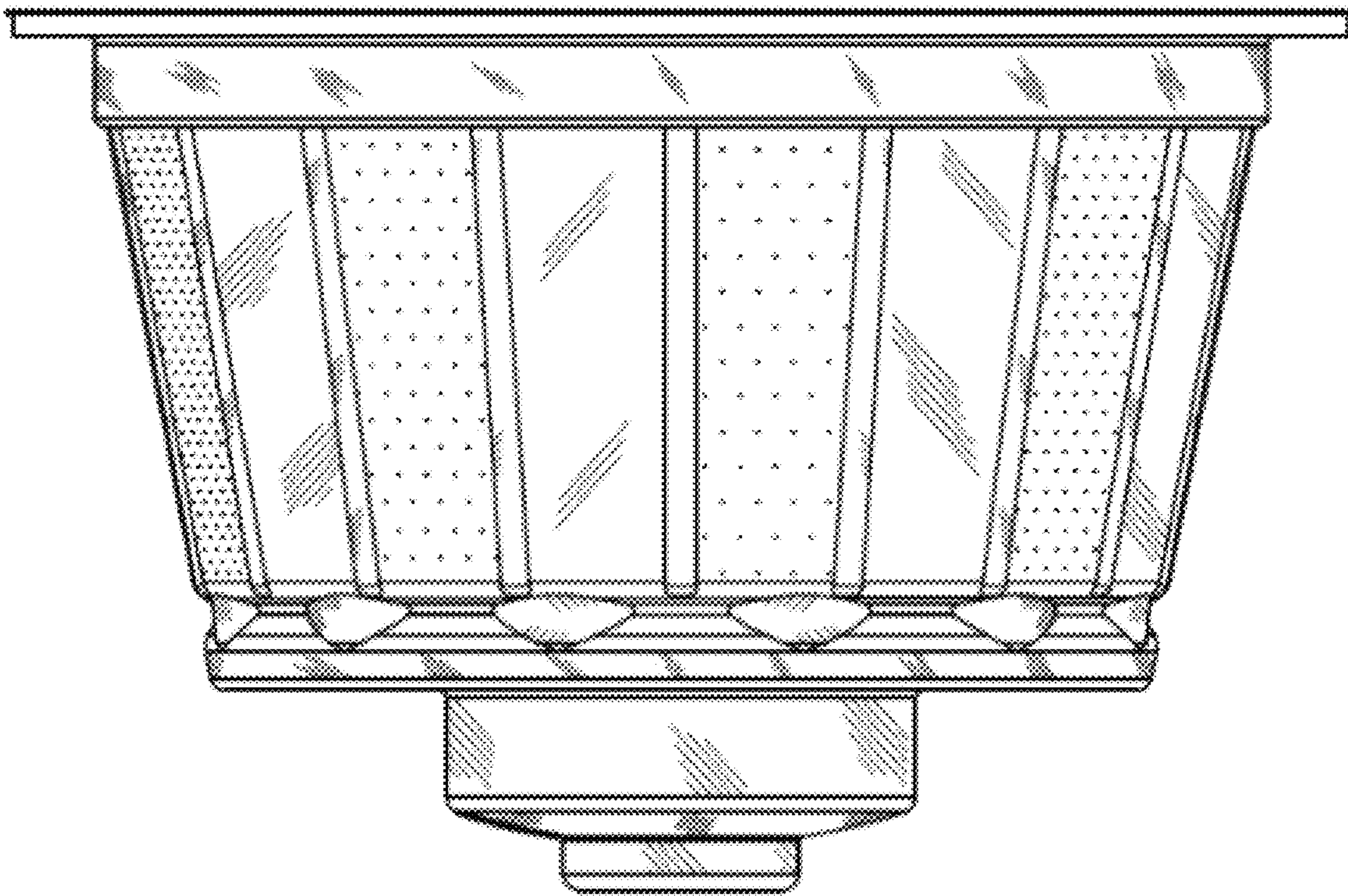
4.2



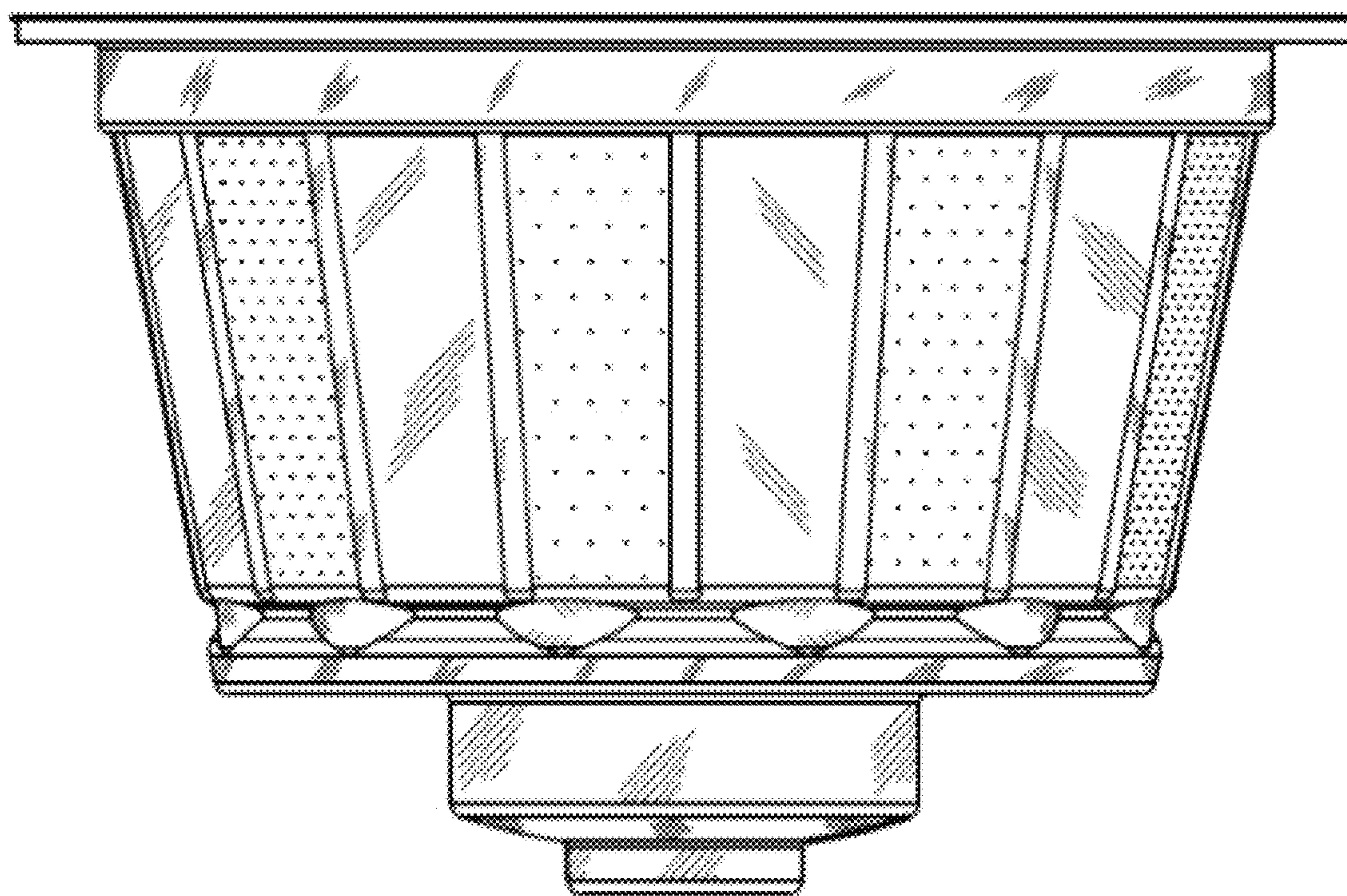
4.3



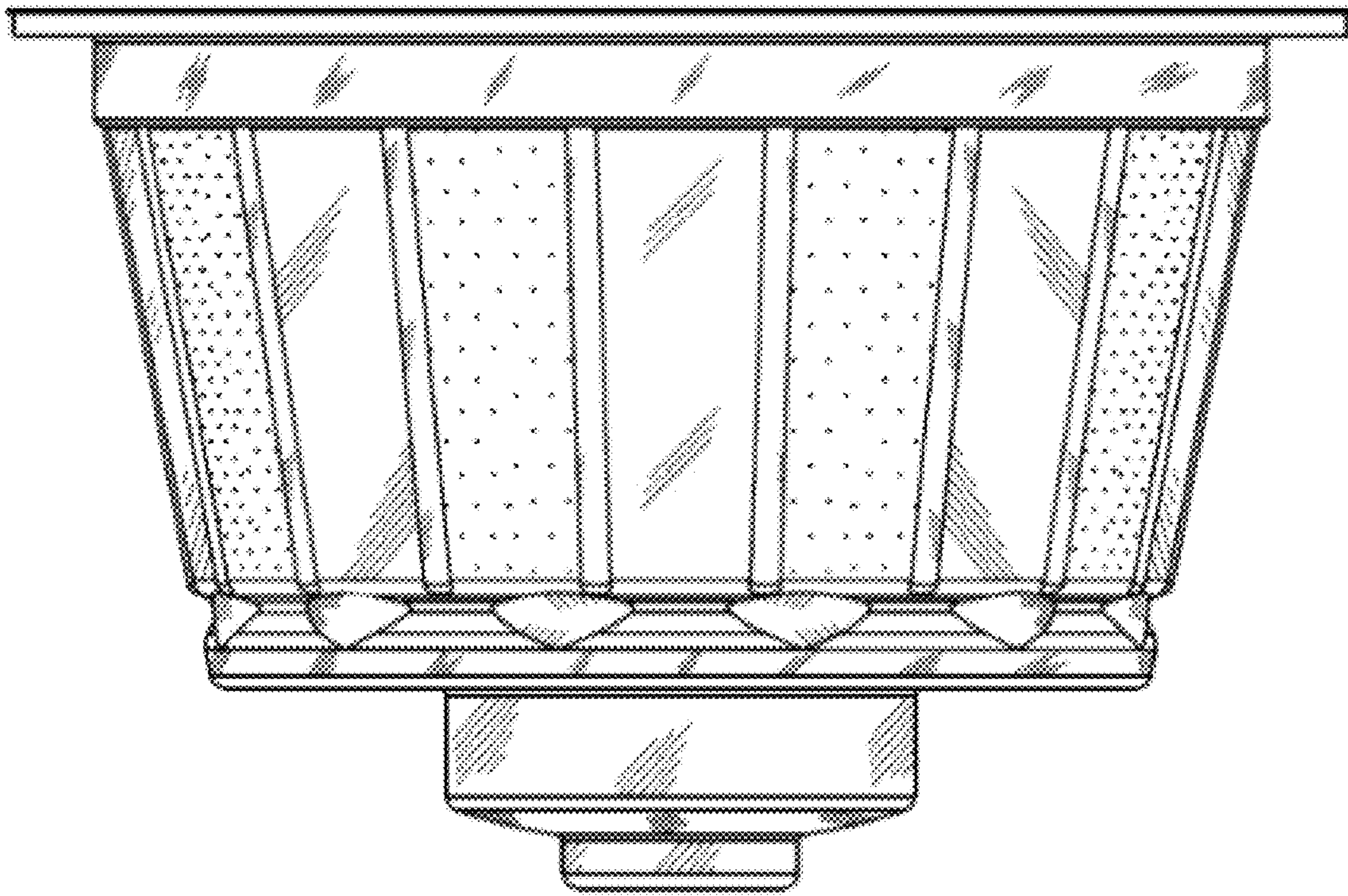
4.4



4.5



4.6



4.7

