

US00D860776S

(12) **United States Design Patent**
Erasmus

(10) **Patent No.:** **US D860,776 S**

(45) **Date of Patent:** **** Sep. 24, 2019**

(54) **CONNECTOR**

(71) Applicant: **Jakobus Malan Erasmus**, Northcliff
(ZA)

(72) Inventor: **Jakobus Malan Erasmus**, Northcliff
(ZA)

(**) Term: **15 Years**

(21) Appl. No.: **29/623,916**

(22) Filed: **Oct. 27, 2017**

(51) **LOC (12) Cl.** **08-99**

(52) **U.S. Cl.**
USPC **D8/499**

(58) **Field of Classification Search**
USPC D8/499, 400-404, 356, 395, 396, 394,
D8/439, 354; D13/130, 131, 132, 133
CPC B63C 1/00; B63C 11/00; B63C 13/00;
B63C 21/00; F16G 11/00
See application file for complete search history.

(56) **References Cited**

U.S. PATENT DOCUMENTS

- 5,852,853 A * 12/1998 Pennoyer, Jr. D06F 53/00
24/134 P
- D415,467 S * 10/1999 Starkey D13/133
- 6,178,604 B1 * 1/2001 Pennoyer, Jr. D06F 53/005
24/134 P

- 7,287,304 B2 * 10/2007 Zebe, Jr. A43C 7/04
24/134 P
- D594,735 S * 6/2009 Hofer D8/349
- D717,157 S * 11/2014 Widdows D8/356
- D802,547 S * 11/2017 Kott D13/183
- D823,101 S * 7/2018 Wassdahl D8/382
- 2010/0116955 A1 * 5/2010 Hayes A47K 10/04
248/206.5

* cited by examiner

Primary Examiner — Janice Hallmark
Assistant Examiner — Harold E Blackwell, II
(74) *Attorney, Agent, or Firm* — Haugen Law Firm PLLP

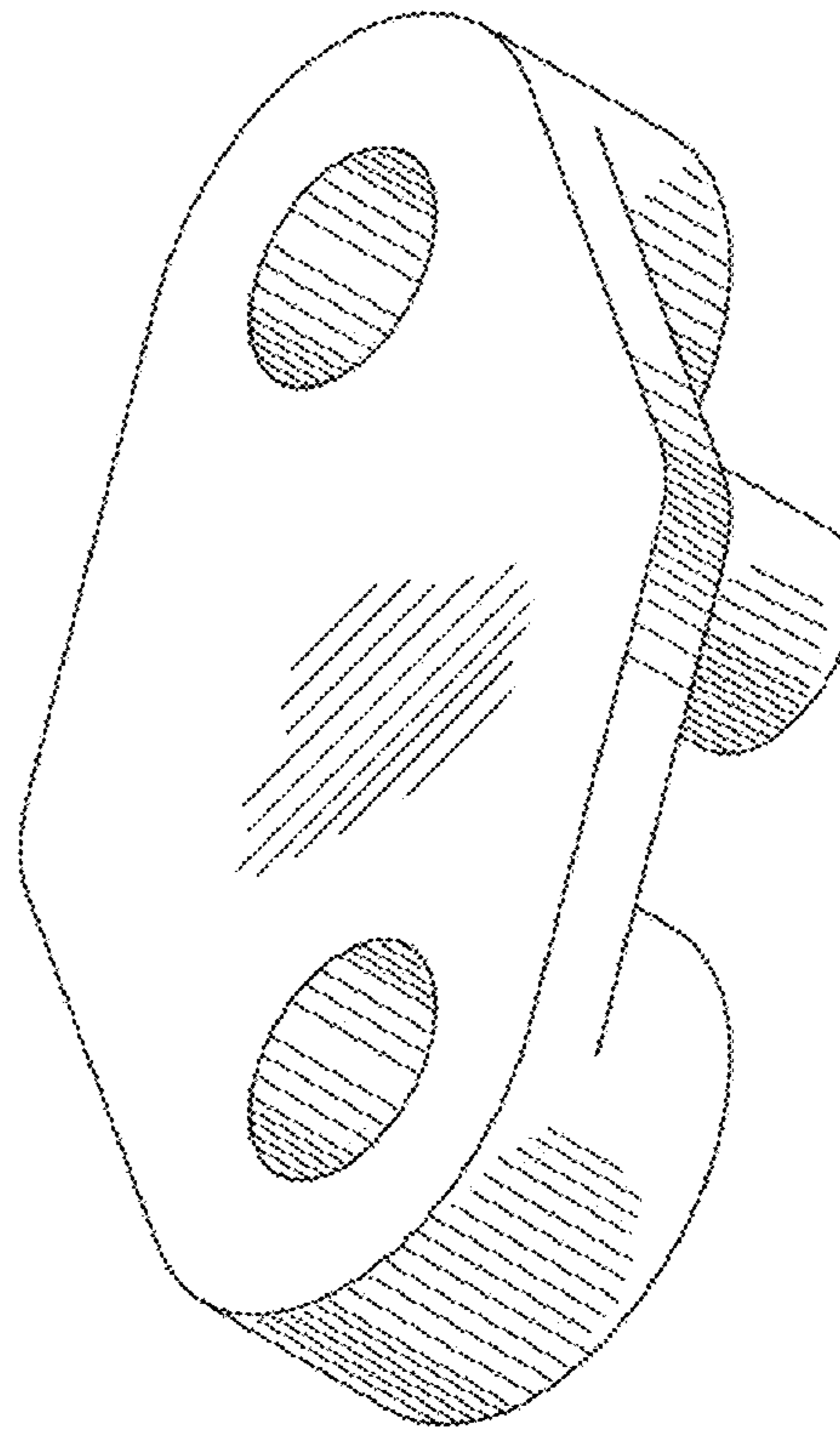
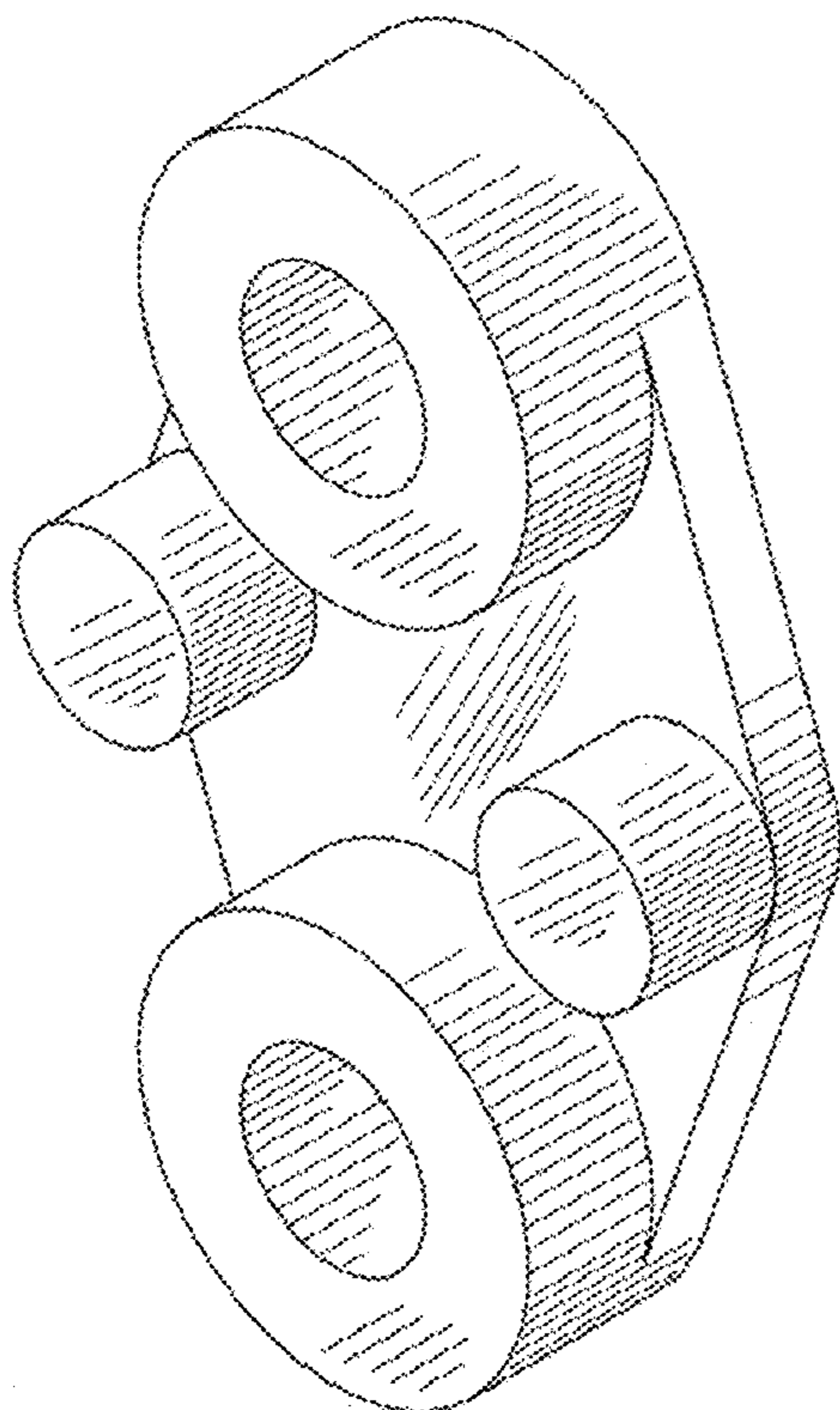
(57) **CLAIM**

The ornamental design for a connector, as shown and described.

DESCRIPTION

FIG. 1 is a front perspective view of the connector;
FIG. 2 is a rear perspective view of the connector;
FIG. 3 is a front elevational view of the connector;
FIG. 4 is a rear elevational view of the connector;
FIG. 5 is a right side elevational view of the connector;
FIG. 6 is a left side elevational view of the connector;
FIG. 7 is a top plan view of the connector; and,
FIG. 8 is a bottom plan view of the connector.

1 Claim, 4 Drawing Sheets



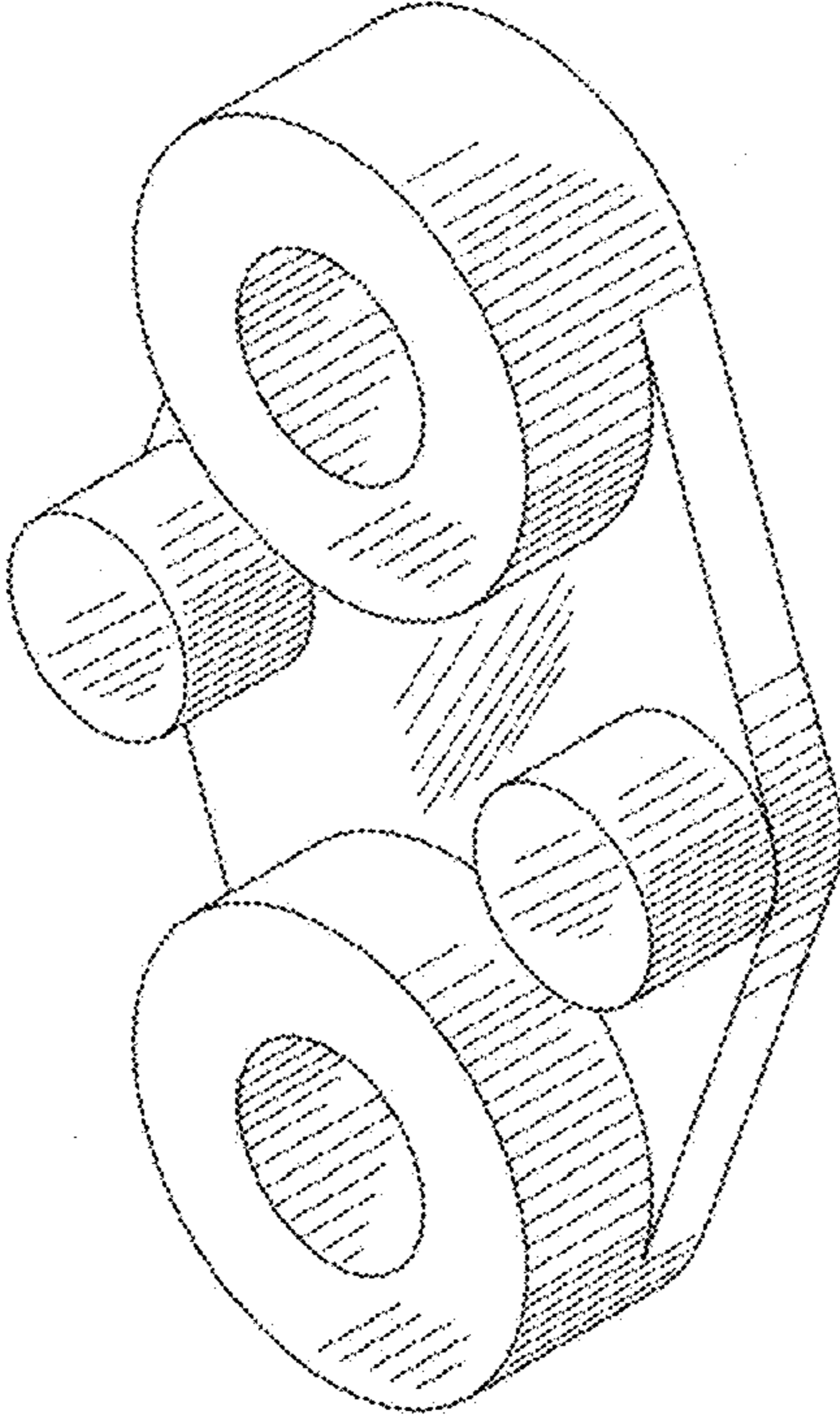


Fig. 1

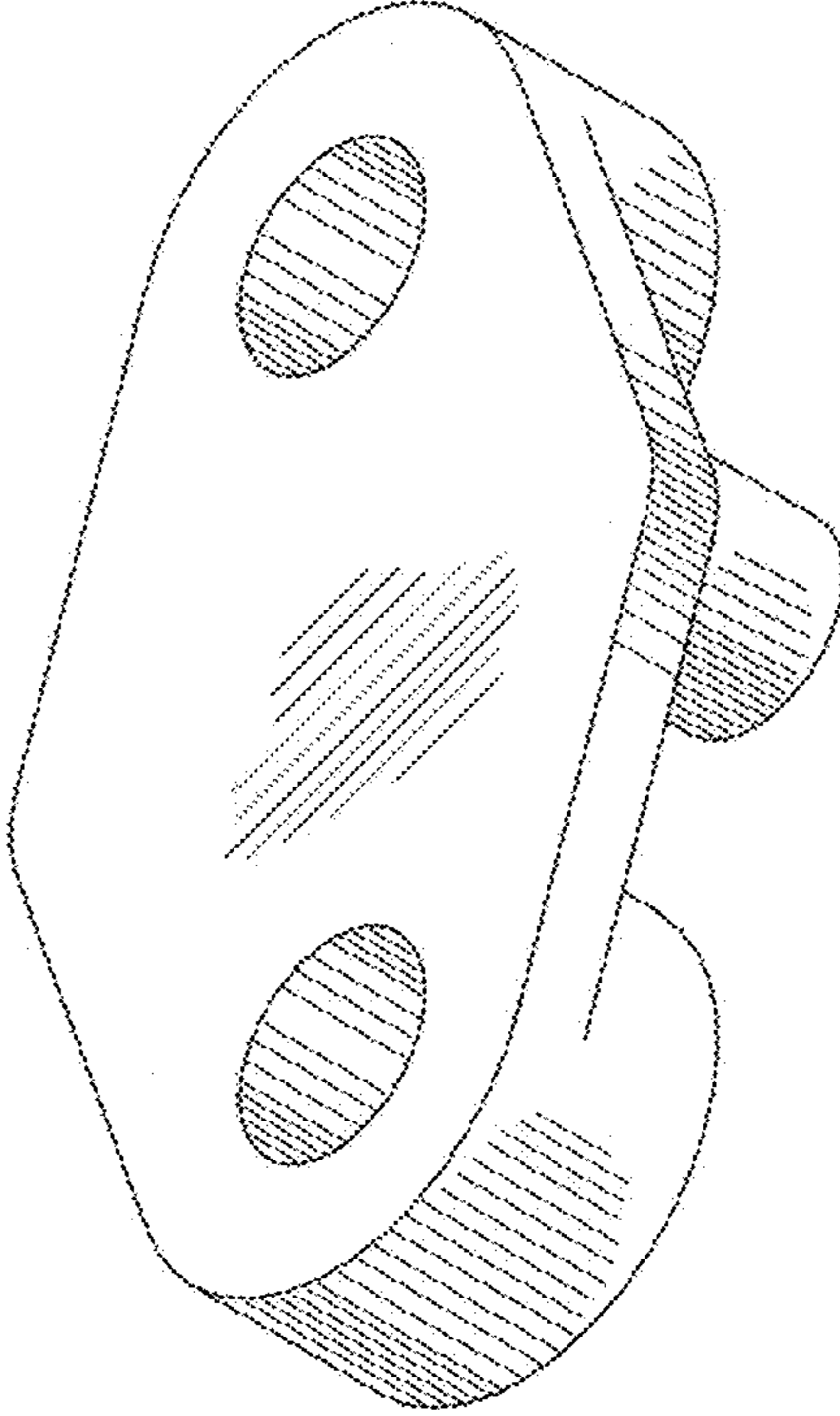


Fig. 2

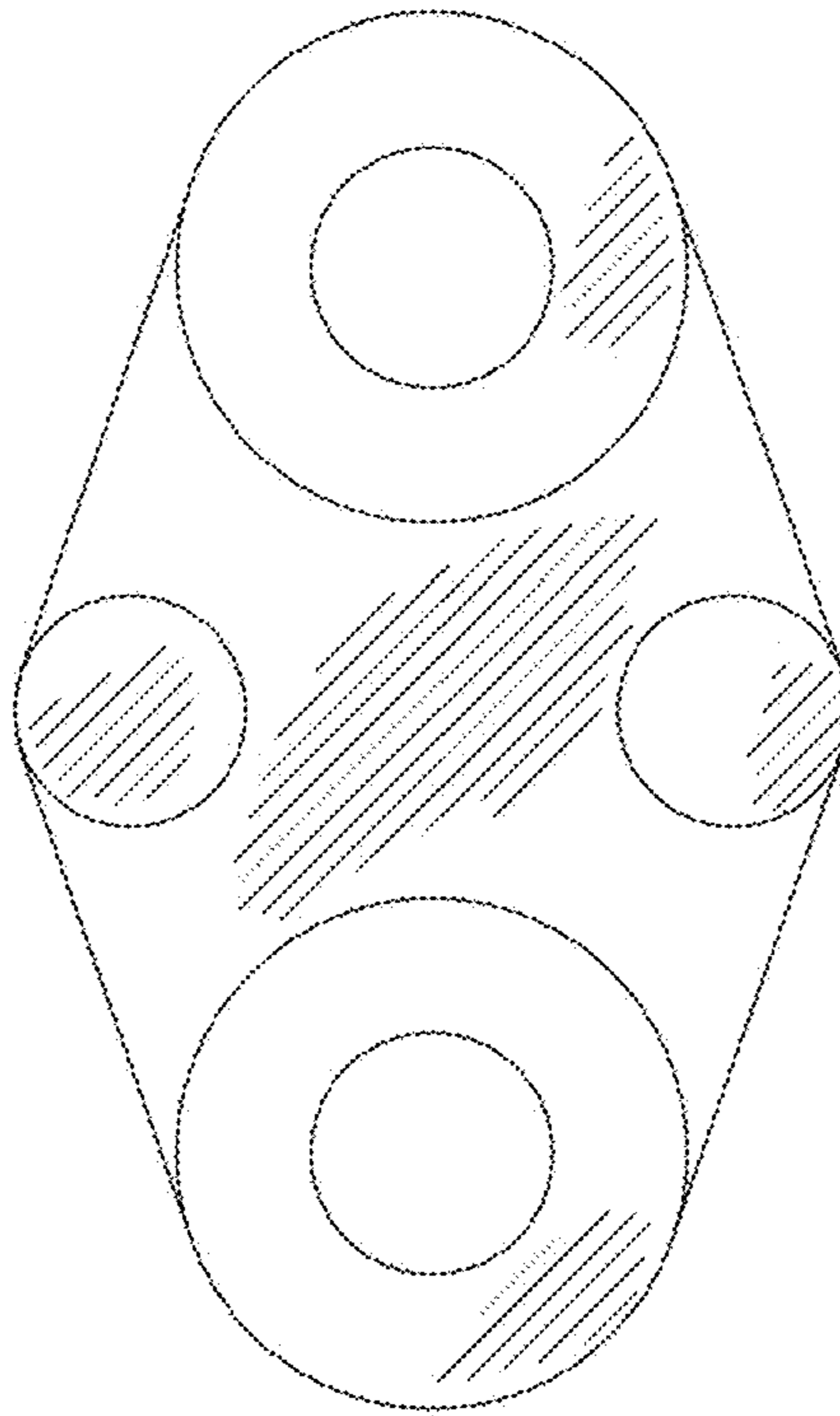


Fig. 3

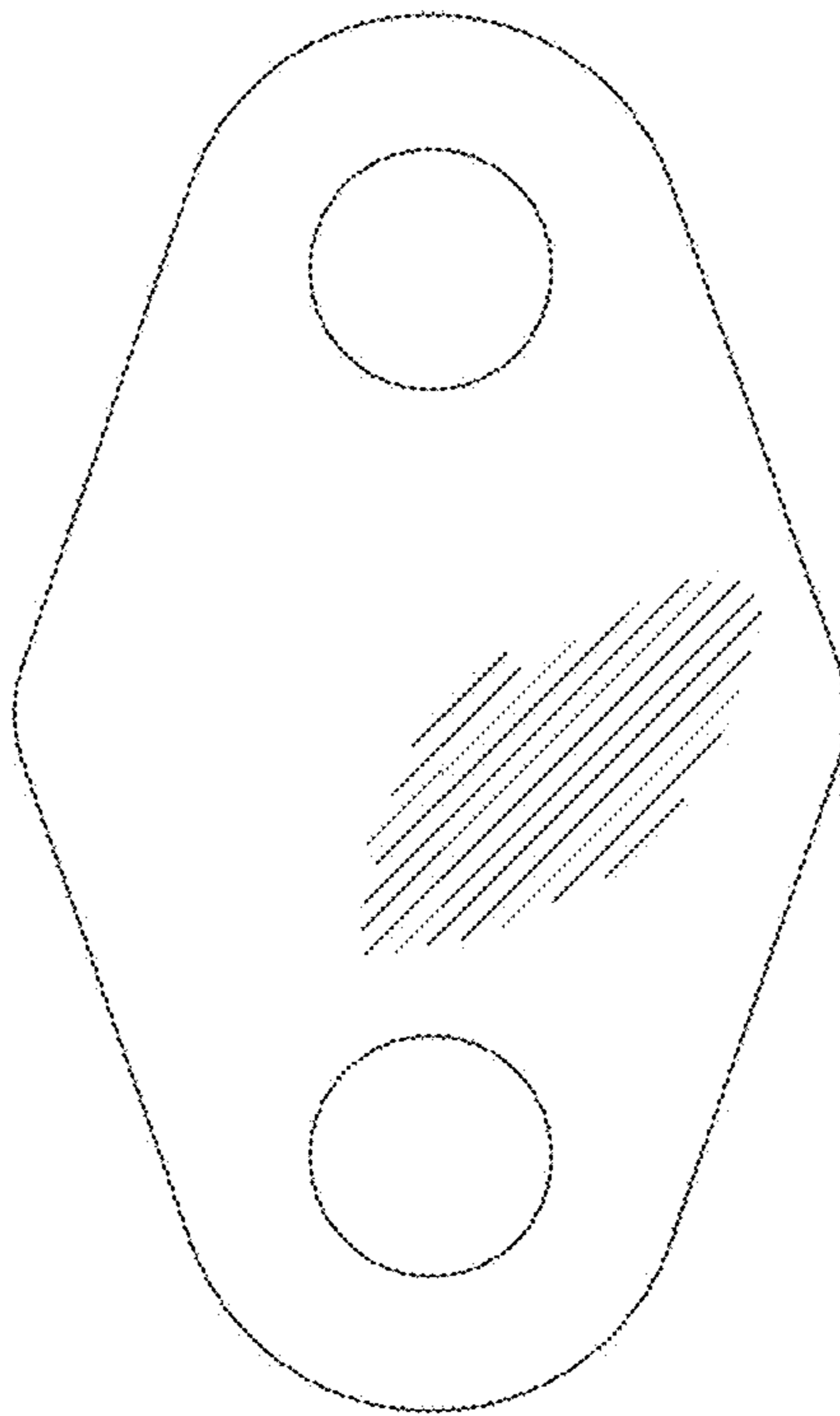


Fig. 4

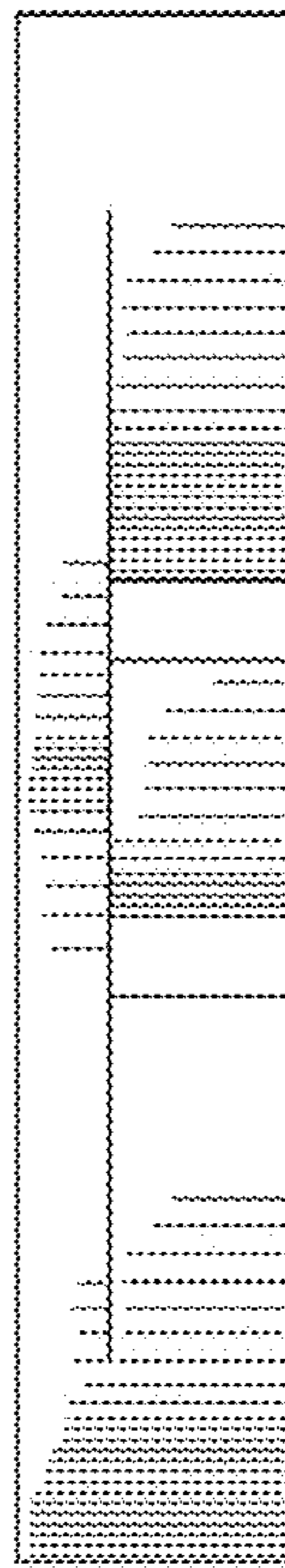


Fig. 5

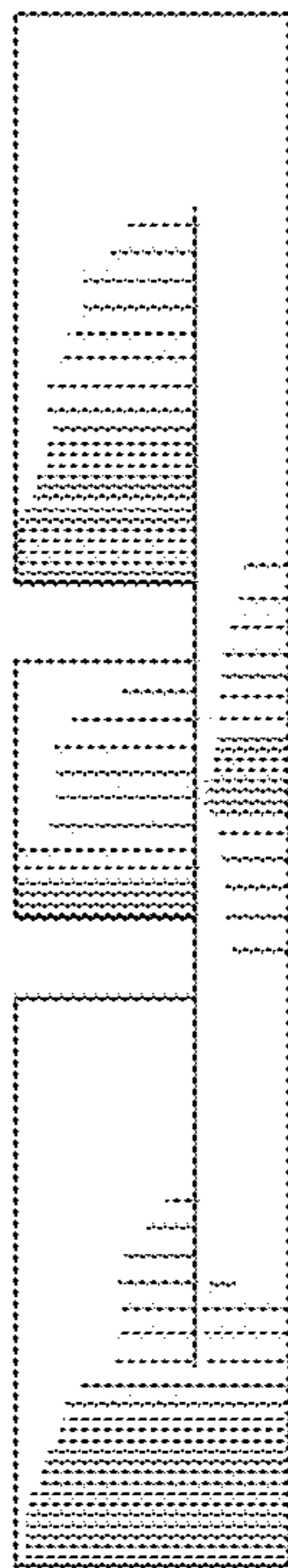


Fig. 6

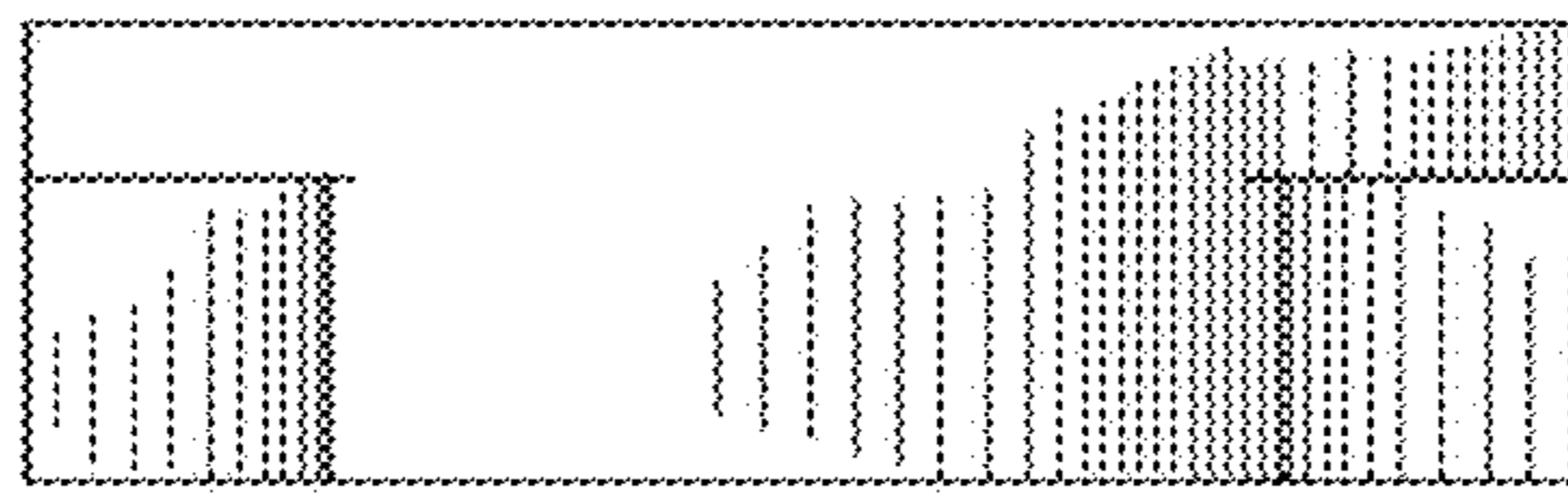


Fig. 7

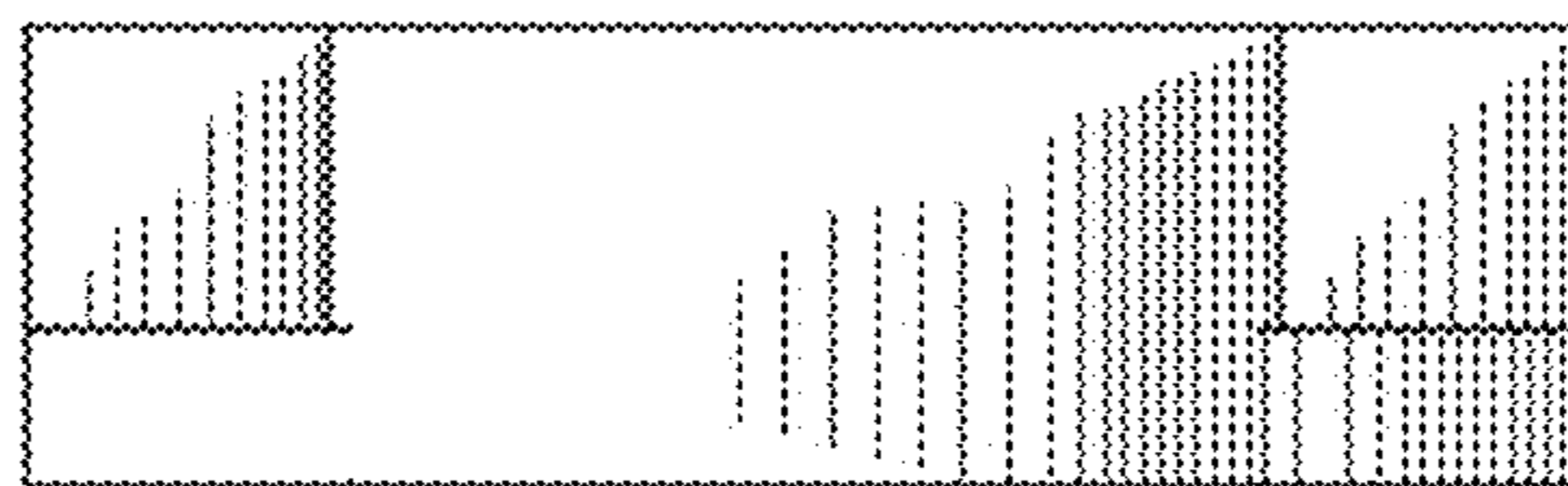


Fig. 8