



US00D860773S

(12) **United States Design Patent** (10) **Patent No.:** **US D860,773 S**  
**Hawthorne** (45) **Date of Patent:** **\*\* Sep. 24, 2019**

(54) **CLIP**

D344,672 S \* 3/1994 Current ..... D8/373  
D359,726 S \* 6/1995 Umeya ..... D13/199  
5,429,531 A \* 7/1995 Oster ..... H01R 11/281  
439/762

(71) Applicant: **Hawthorne Holdings Pty Ltd**, Moffat Beach, QLD (AU)

(Continued)

(72) Inventor: **Sydney Hawthorne**, Moffat Beach (AU)

**FOREIGN PATENT DOCUMENTS**

(73) Assignee: **Hawthorne Holdings Pty Ltd**, Queensland (AU)

AU 127791 9/1996  
AU 135082 9/1998

(Continued)

(\*\*) Term: **15 Years**

**OTHER PUBLICATIONS**

(21) Appl. No.: **29/645,817**

Australian Patent Application No. 2014202762A1 entitled "Improved Pipe Support", by Luke Bolton, published Dec. 10, 2015 (19 pages).

(22) Filed: **Apr. 30, 2018**

(Continued)

(30) **Foreign Application Priority Data**

Oct. 30, 2017 (AU) ..... 201716560

(51) **LOC (12) Cl.** ..... **08-08**

(52) **U.S. Cl.**  
USPC ..... **D8/396**

(58) **Field of Classification Search**  
USPC ..... D8/349, 354, 382, 383, 388, 394, 395,  
D8/396, 499

CPC ..... Y10T 24/10; Y10T 24/39; Y10T 24/44;  
Y10T 24/44017; Y10T 24/4465; Y10T  
24/44923; Y10T 24/45141

See application file for complete search history.

(56) **References Cited**

**U.S. PATENT DOCUMENTS**

2,151,768 A \* 3/1939 Humeston ..... F41G 11/003  
248/229.13  
D123,589 S \* 11/1940 Eden et al. .... 439/762  
3,069,189 A \* 12/1962 Hollaender ..... E04G 7/14  
285/188  
D281,951 S \* 12/1985 LaMeyer ..... D8/373  
D322,555 S \* 12/1991 Kokenge ..... 108/152  
D344,449 S \* 2/1994 Ward ..... D8/395

*Primary Examiner* — John Windmuller

*Assistant Examiner* — Steven J Czyz

(74) *Attorney, Agent, or Firm* — Cesari and McKenna, LLP

(57) **CLAIM**

The ornamental design for a clip substantially, as shown and described.

**DESCRIPTION**

FIG. 1 is a front perspective view of a clip;

FIG. 2 is a rear perspective thereof;

FIG. 3 is a right side view thereof;

FIG. 4 is a left side view thereof;

FIG. 5 is a rear view thereof;

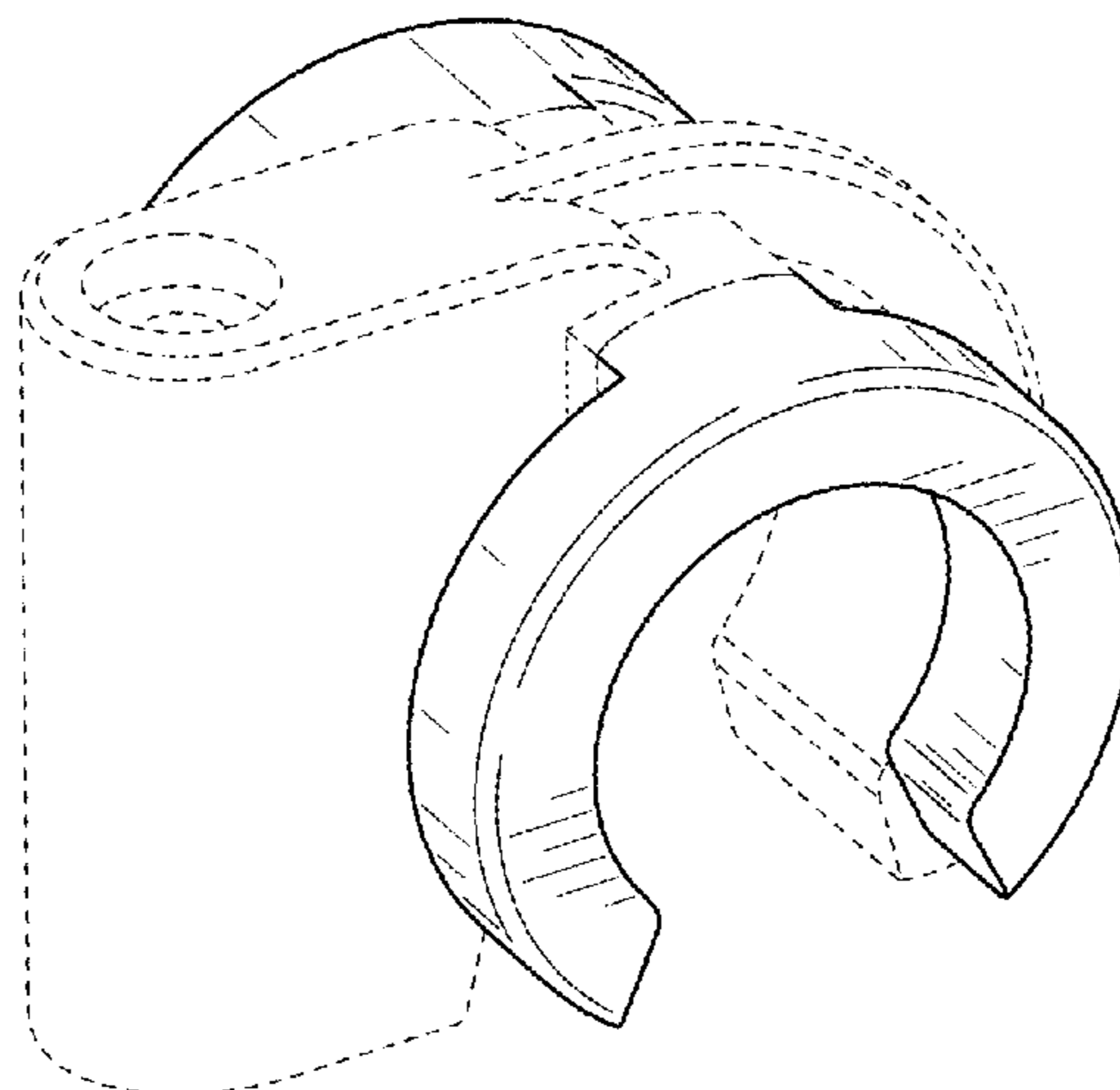
FIG. 6 is a front view thereof;

FIG. 7 is a top view thereof; and,

FIG. 8 is a bottom view thereof.

The broken lines depict portions of the article that form no part of the claimed design and the dot-dash-dot lines depict the boundary of the claim and form no part of the claimed design.

**1 Claim, 4 Drawing Sheets**



(56)

References Cited

U.S. PATENT DOCUMENTS

D364,336 S \* 11/1995 Calusinski ..... D8/371  
 5,542,775 A \* 8/1996 Bechtoldt ..... A47C 31/06  
 24/350  
 D375,450 S \* 11/1996 Bidwell ..... D8/356  
 D380,145 S \* 6/1997 Rumpel ..... D26/138  
 D383,380 S \* 9/1997 Kempf ..... D13/154  
 5,807,018 A \* 9/1998 Peek ..... F16L 3/13  
 24/297  
 5,979,020 A \* 11/1999 Kimura ..... F16L 33/03  
 24/20 CW  
 6,007,032 A \* 12/1999 Kuo ..... F16M 11/10  
 248/125.1  
 6,334,242 B1 \* 1/2002 Scollard ..... F02M 35/10144  
 24/459  
 D453,676 S \* 2/2002 Pliml, Jr. .... D19/100  
 6,622,976 B1 \* 9/2003 Ianello ..... F16L 3/13  
 248/71  
 6,671,027 B2 \* 12/2003 Brandt ..... G02F 1/133382  
 349/161  
 D510,257 S \* 10/2005 Marty ..... D8/356  
 D549,086 S \* 8/2007 Fujiwara ..... D8/382  
 D563,769 S \* 3/2008 Short ..... D8/354

7,456,361 B2 \* 11/2008 Hill ..... H01R 4/48  
 174/84 C  
 D587,564 S \* 3/2009 Kodi ..... D8/354  
 D604,148 S \* 11/2009 Clarke ..... D8/356  
 D652,288 S \* 1/2012 Mercier ..... D8/396  
 D710,190 S \* 8/2014 Weger ..... D8/396  
 D729,742 S \* 5/2015 Wu ..... D13/149  
 9,334,887 B2 \* 5/2016 Leo, II ..... F16B 2/22  
 D774,880 S \* 12/2016 Wirth ..... D8/394  
 D782,745 S \* 3/2017 Childs ..... D29/130  
 D792,971 S \* 7/2017 Greenizen ..... D24/143  
 D800,536 S \* 10/2017 Kelley ..... D8/354

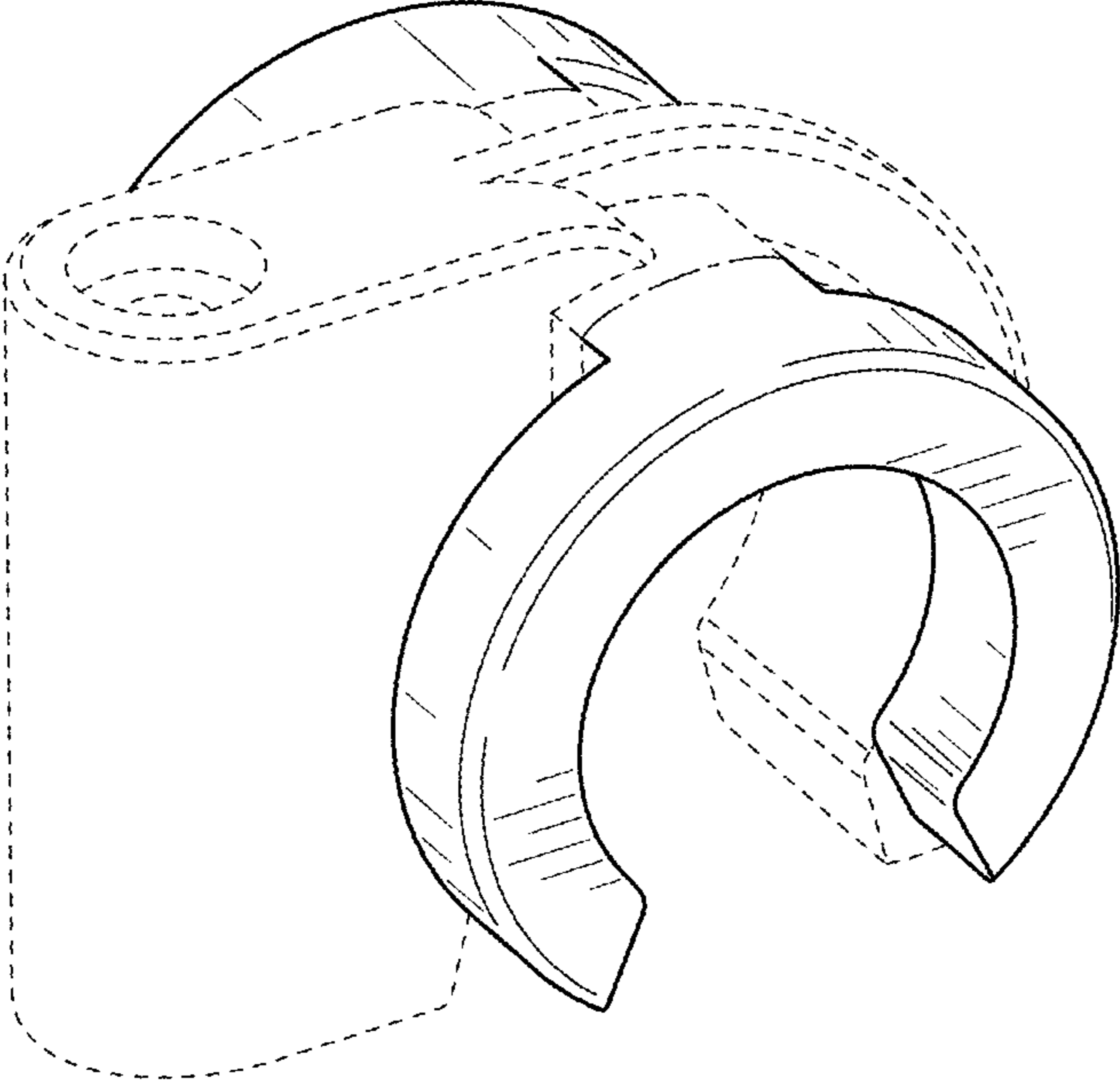
FOREIGN PATENT DOCUMENTS

AU 140494 4/2000  
 AU 151093 3/2003

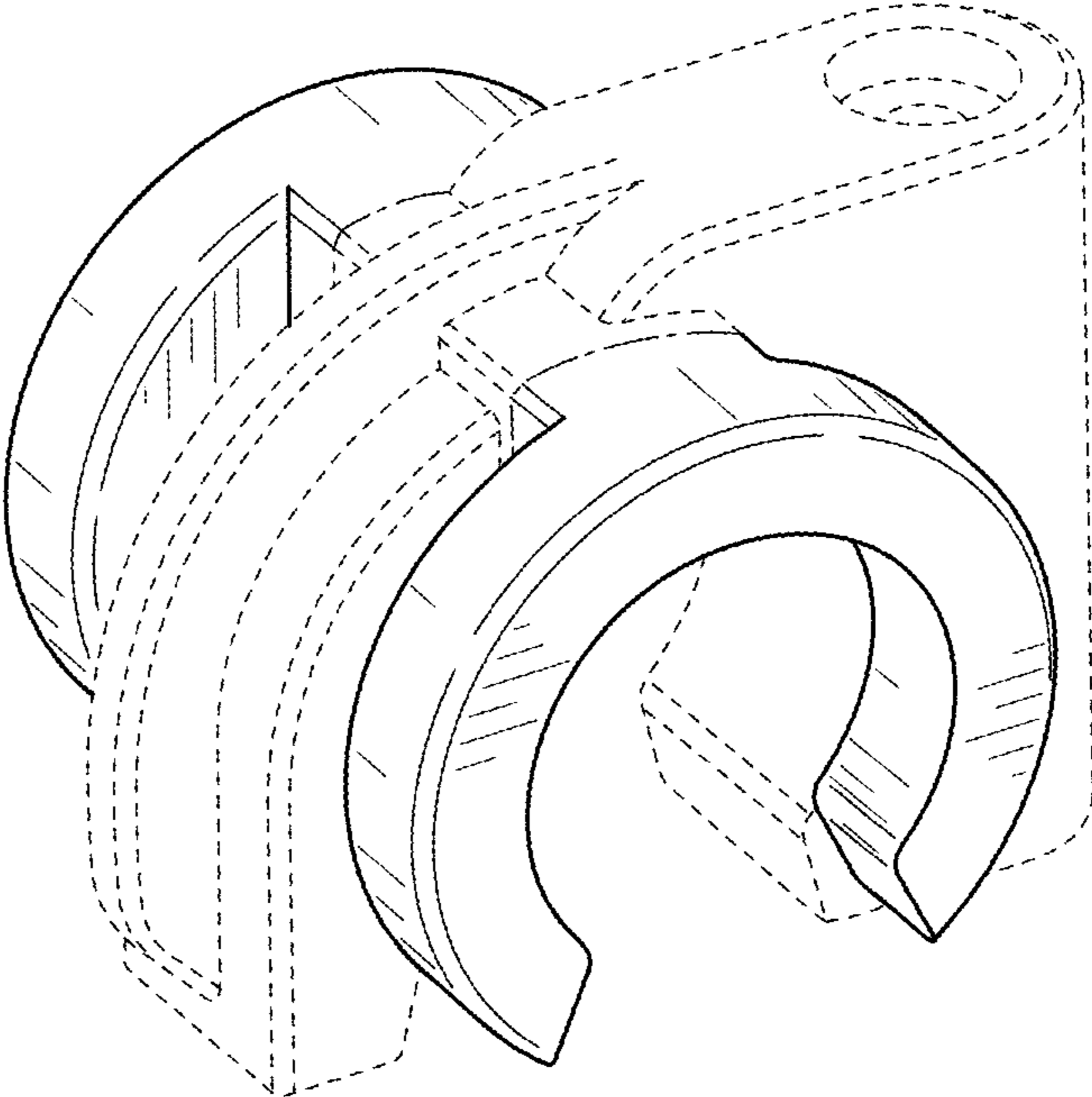
OTHER PUBLICATIONS

Screen shot from "Internet Archive WayBackMachine" web page  
<http://plastec.com.au/product-category/clipsbrackets/clips/>, printed  
 Dec. 25, 2016 (1 Page).

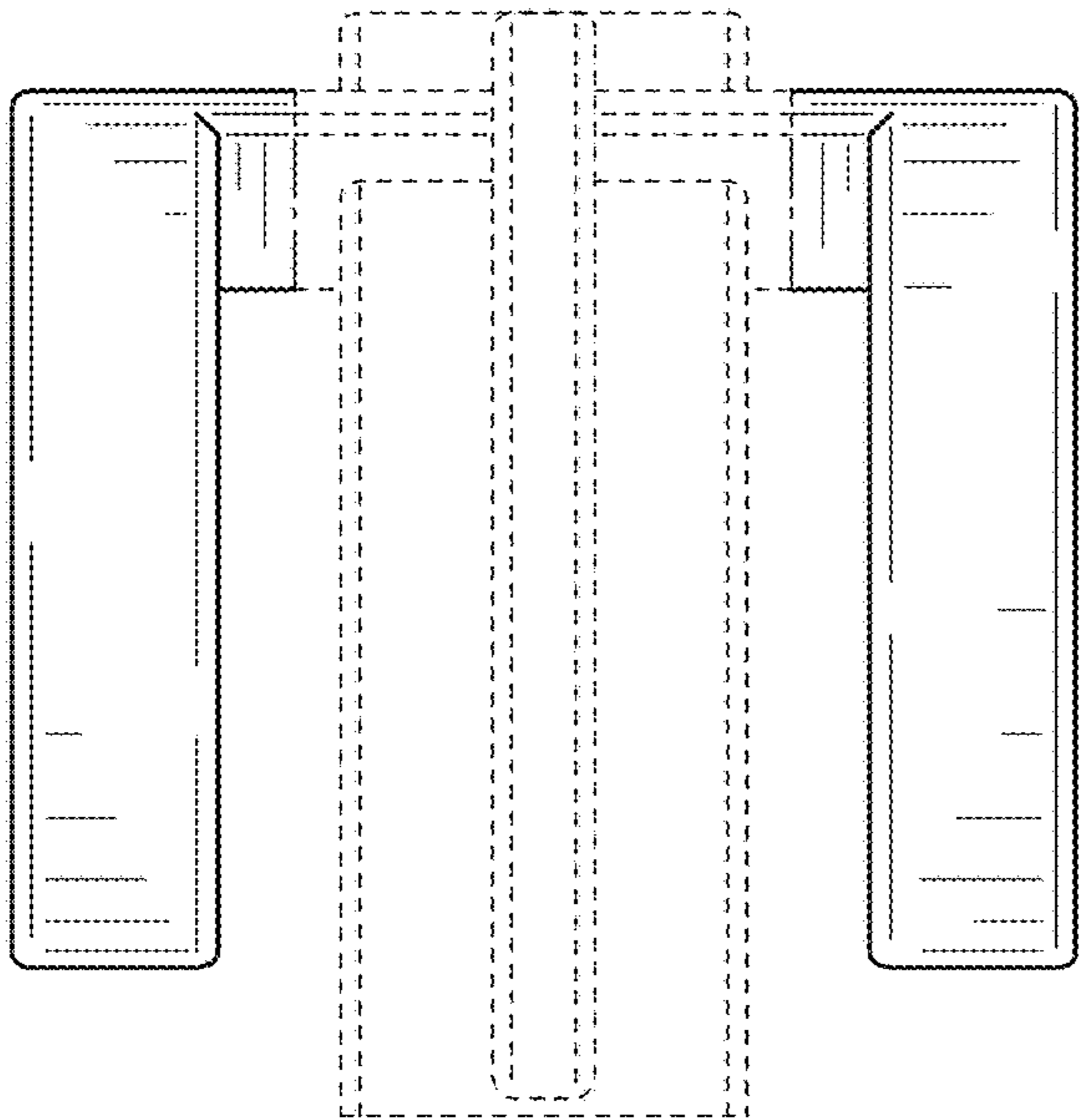
\* cited by examiner



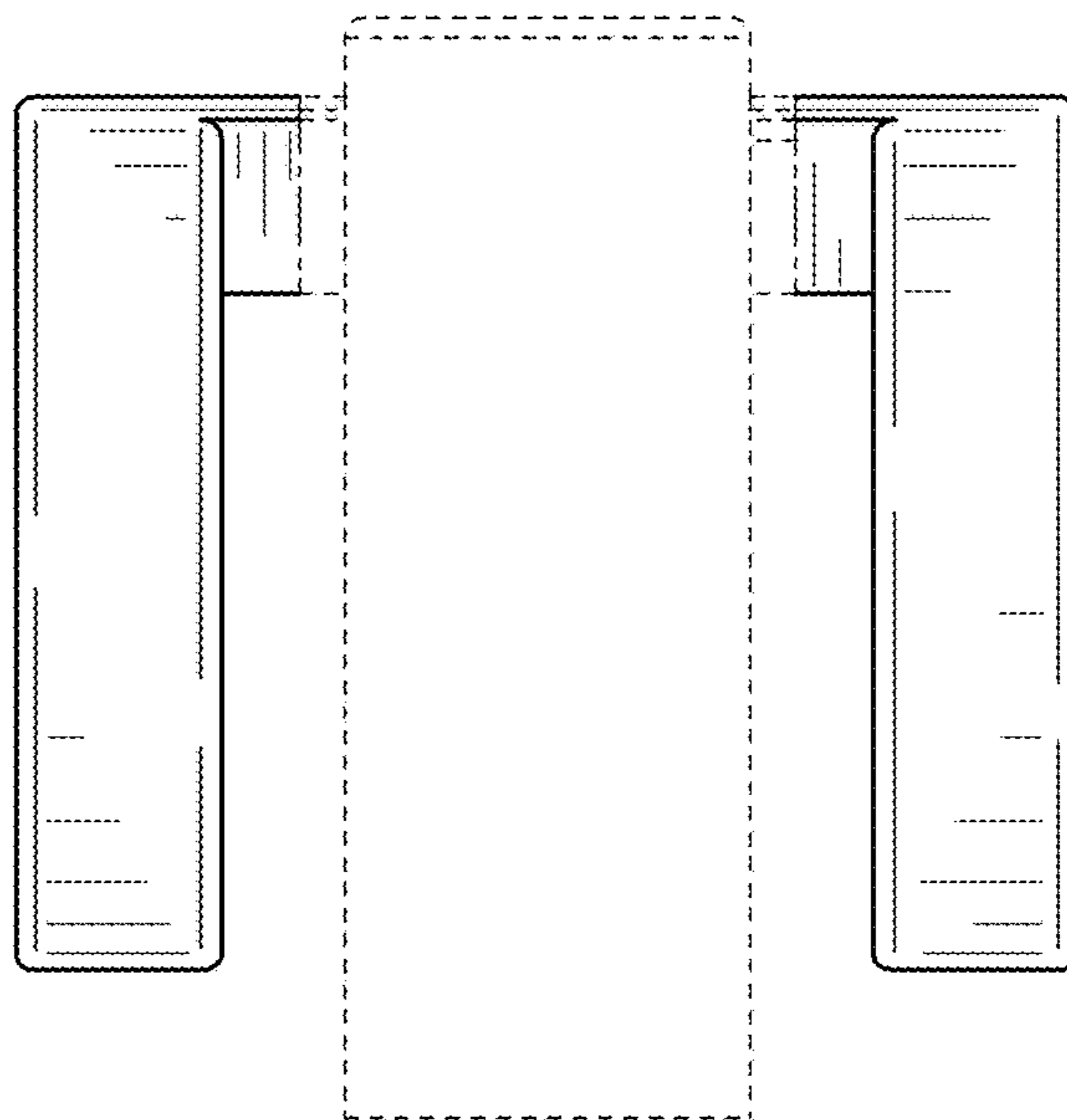
**FIG. 1**



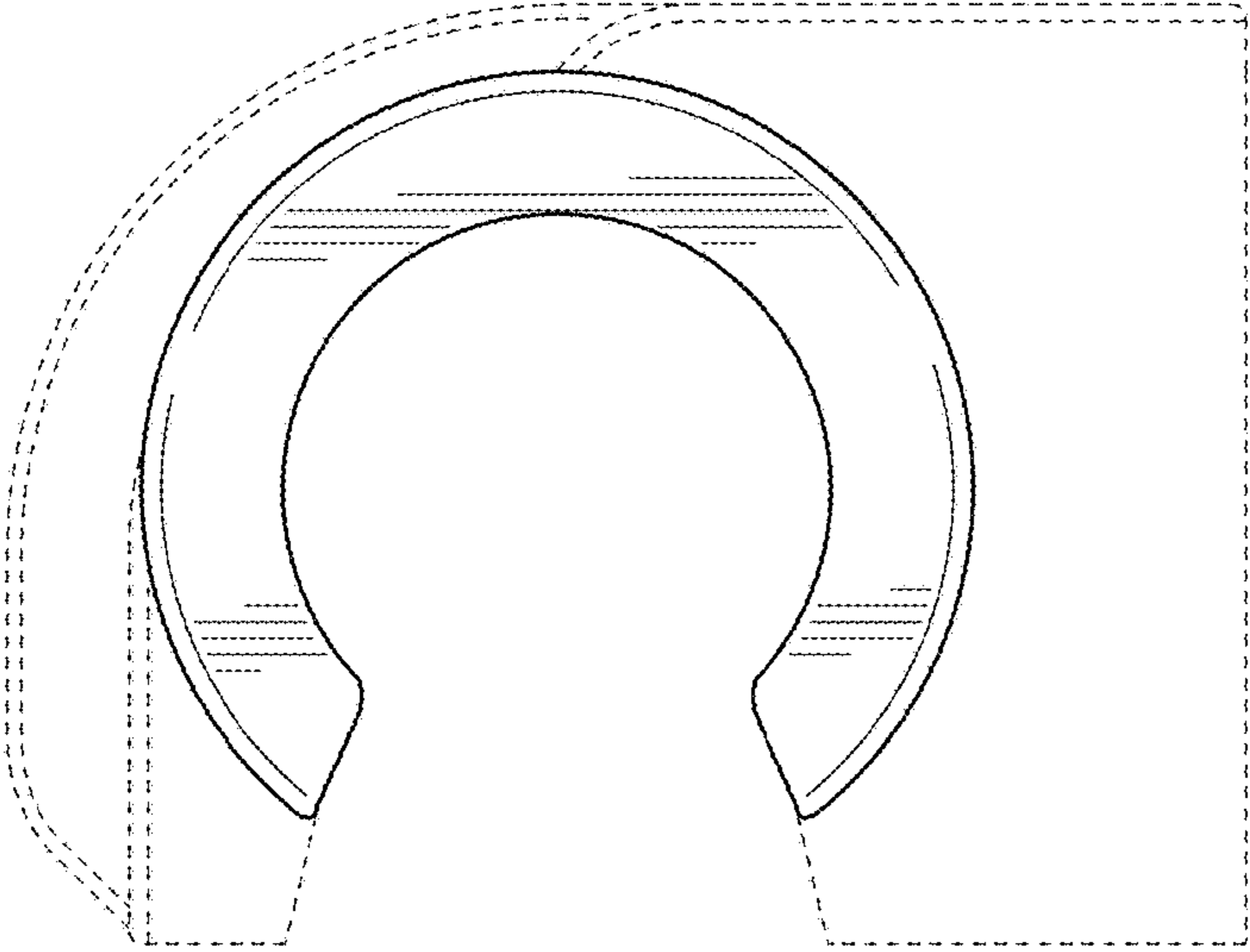
**FIG. 2**



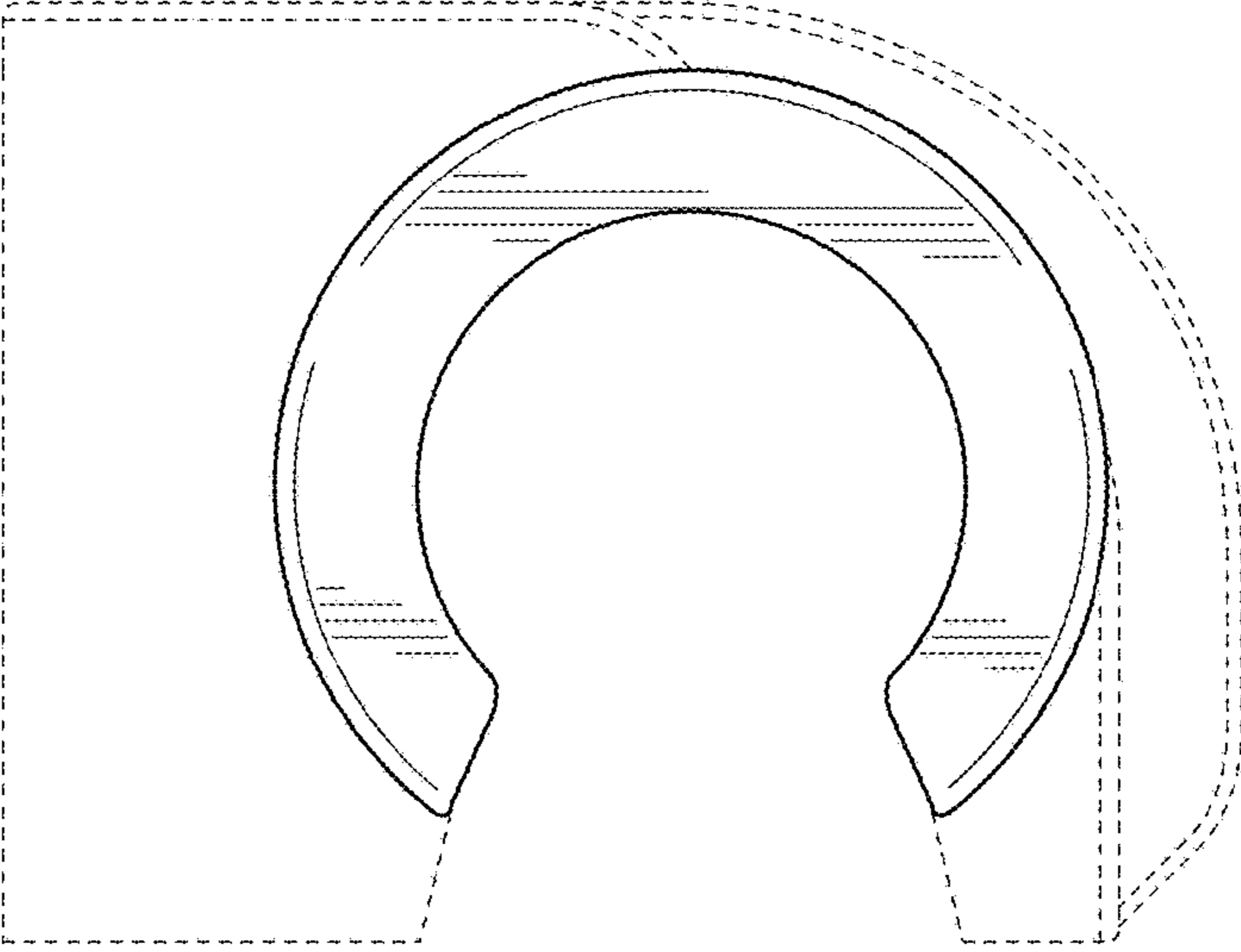
**FIG. 3**



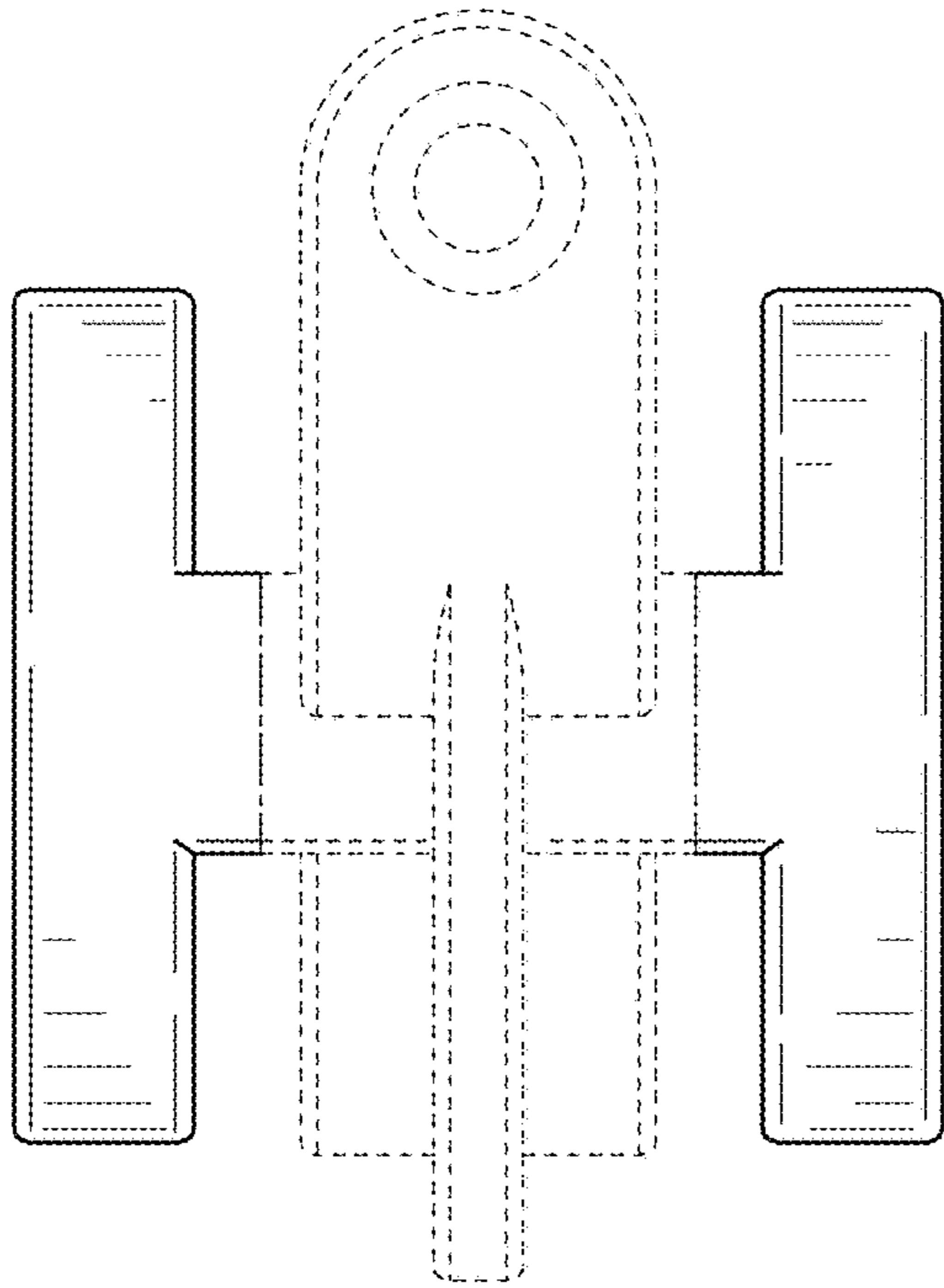
**FIG. 4**



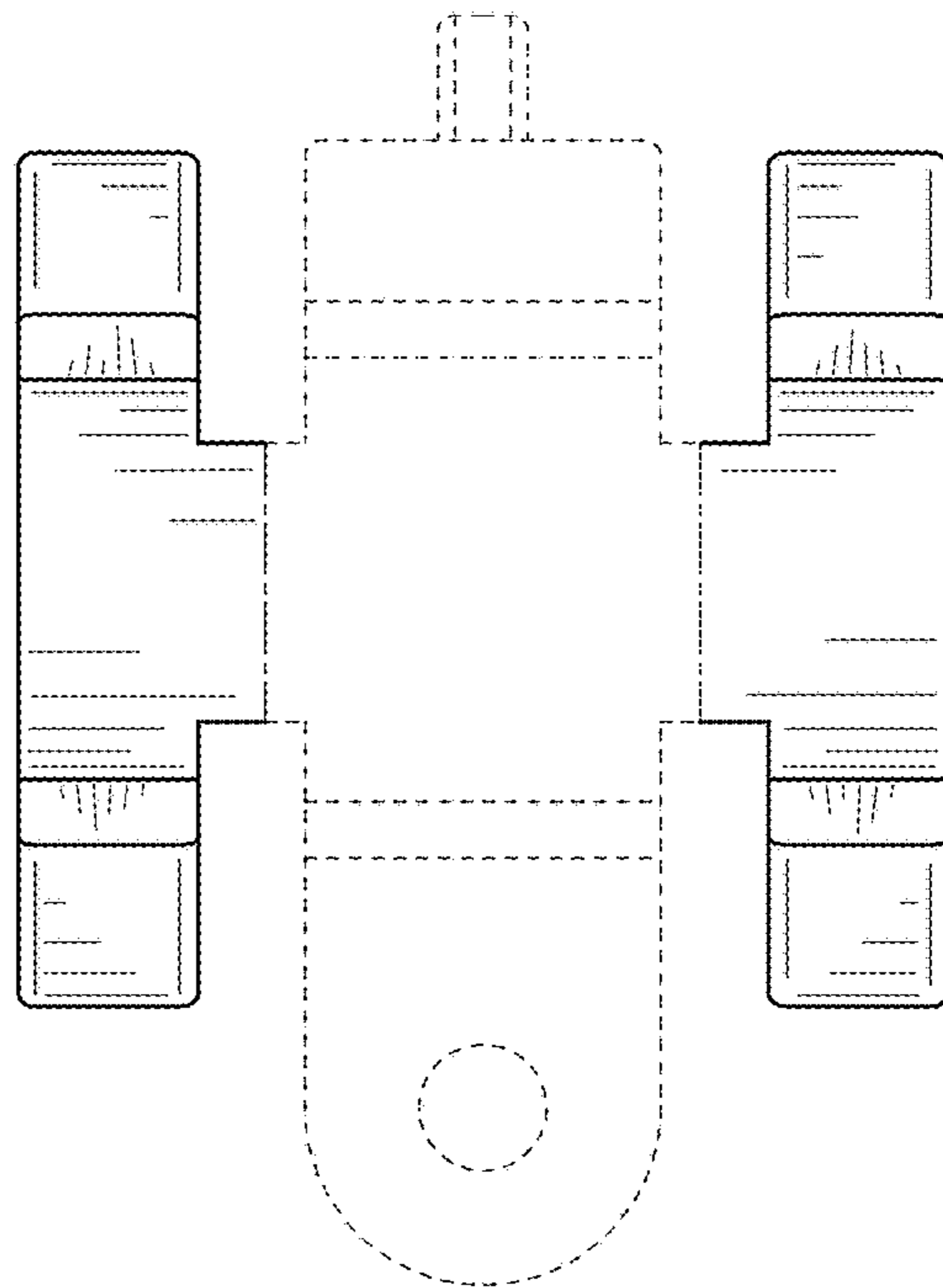
**FIG. 5**



**FIG. 6**



**FIG. 7**



**FIG. 8**