

US00D860772S

(12) **United States Design Patent** (10) **Patent No.:** **US D860,772 S**
Jiang (45) **Date of Patent:** **** Sep. 24, 2019**

(54) **RETAINER NUT**
(71) Applicant: **Jiangmen Eurofix Metal and Rubber Products Co., Ltd., Jiangmen (CN)**
(72) Inventor: **Shizhong Jiang, Jiangmen (CN)**
(73) Assignee: **Jiangmen Eurofix Metal and Rubber Products Co., Ltd., Jiangmen, Guangdong Province (CN)**

D390,241 S * 2/1998 Mori D15/140
D393,998 S * 5/1998 Anderson D8/394
D484,399 S * 12/2003 Arthur D8/394
D515,910 S * 2/2006 Gates B60R 9/06
D8/354
D522,348 S * 6/2006 Hansen D8/354
7,089,641 B2 * 8/2006 Hamerski B25B 5/006
29/238
D691,460 S * 10/2013 Stanic D8/354
D695,091 S * 12/2013 Nunez Farfan D8/354
D708,053 S * 7/2014 Marini D24/127
D739,721 S * 9/2015 Gretz D8/396
D779,308 S * 2/2017 West D8/349
D793,851 S * 8/2017 Mann D8/394
10,100,973 B2 * 10/2018 Anderson F16B 2/065

(**) Term: **15 Years**

(21) Appl. No.: **29/613,331**

* cited by examiner

(22) Filed: **Aug. 9, 2017**

Primary Examiner — John Windmuller

(30) **Foreign Application Priority Data**

Assistant Examiner — Steven J Czyz

Jul. 5, 2017 (CN) 2017 3 0292023

(74) *Attorney, Agent, or Firm* — Stuart H. Mayer; Mayer & Williams PC

(51) **LOC (12) Cl.** **08-08**

(57) **CLAIM**

(52) **U.S. Cl.**
USPC **D8/394**

I claim the ornamental design for a retainer nut, as shown and described.

(58) **Field of Classification Search**
USPC D8/349, 354, 382, 394, 395
CPC B25B 5/10; F16B 2/02; F16B 5/06; F16B 12/20; F16B 13/00
See application file for complete search history.

DESCRIPTION

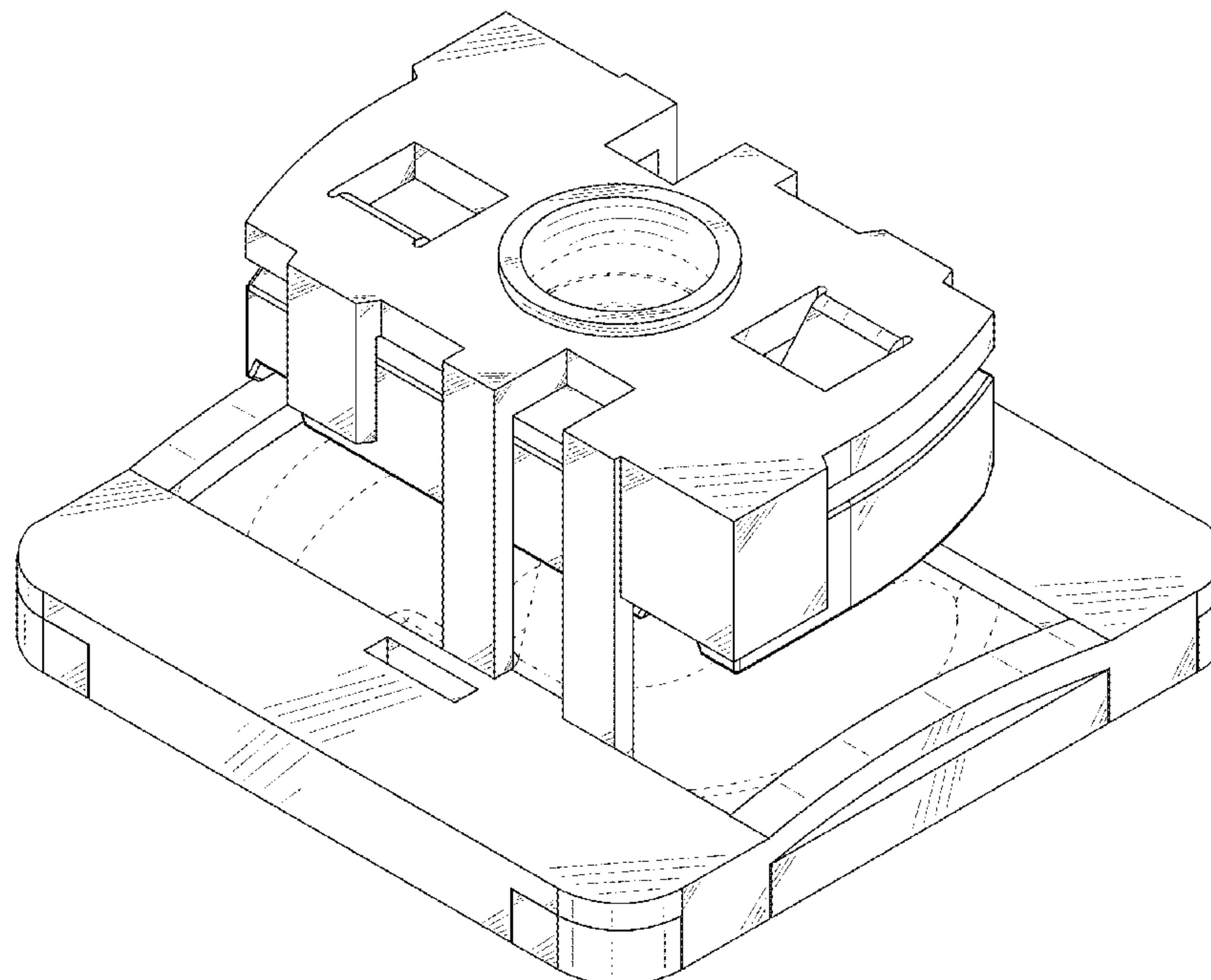
(56) **References Cited**

FIG. 1 is a perspective view of a retainer nut;
FIG. 2 is a front view thereof;
FIG. 3 is a rear view thereof;
FIG. 4 is a left view thereof;
FIG. 5 is a right view thereof;
FIG. 6 is a top view thereof; and,
FIG. 7 is a bottom view thereof.
The broken lines depict portions of the article that form no part of the claimed design.

U.S. PATENT DOCUMENTS

D203,355 S * 12/1965 Kuziak et al. D8/72
D214,093 S * 5/1969 Greene et al. D15/140
D349,036 S * 7/1994 Egigian D12/223
D365,975 S * 1/1996 Cottone D15/128
D371,497 S * 7/1996 Cottone D8/72

1 Claim, 7 Drawing Sheets



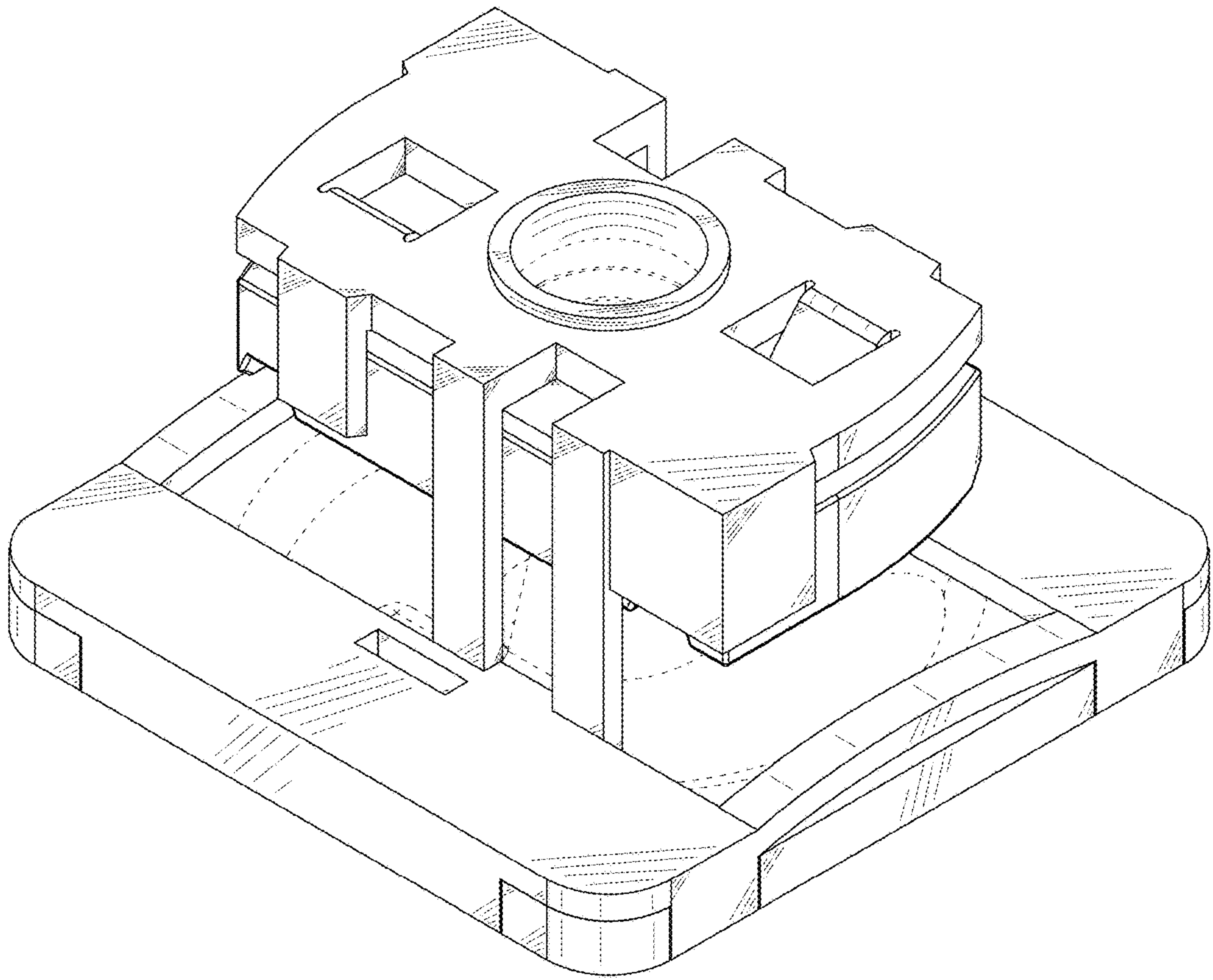


FIG.1

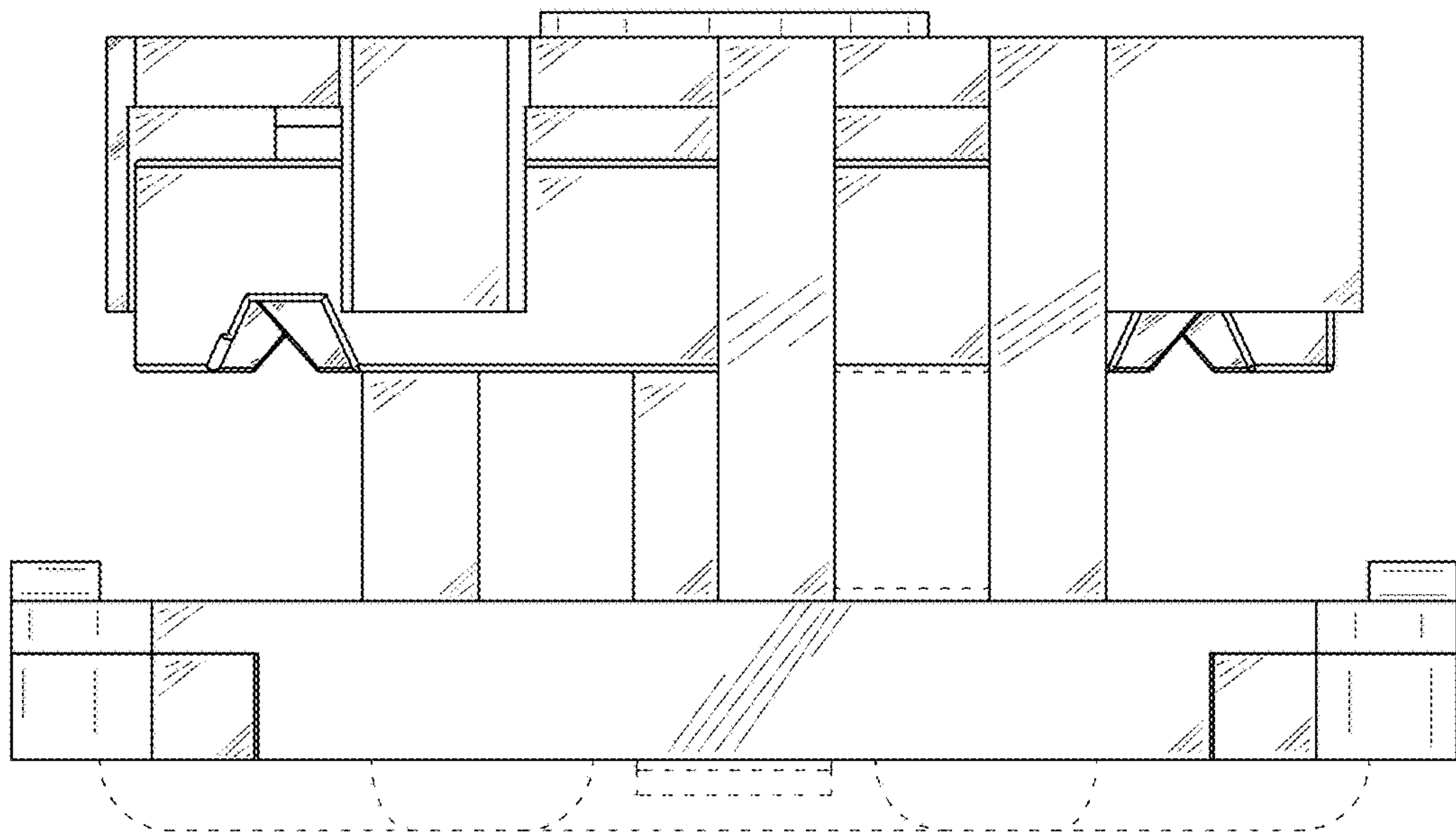


FIG.2

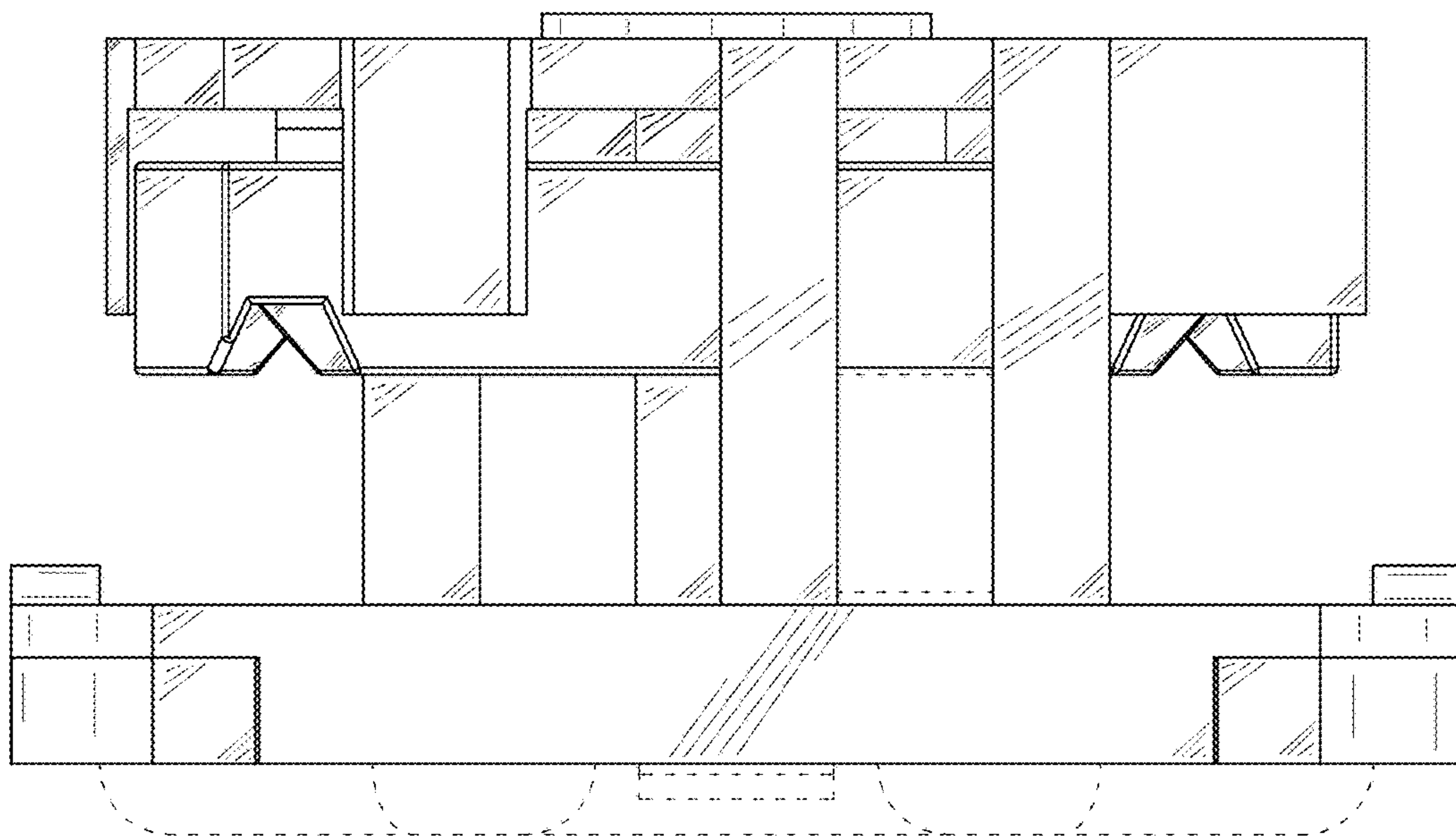


FIG.3

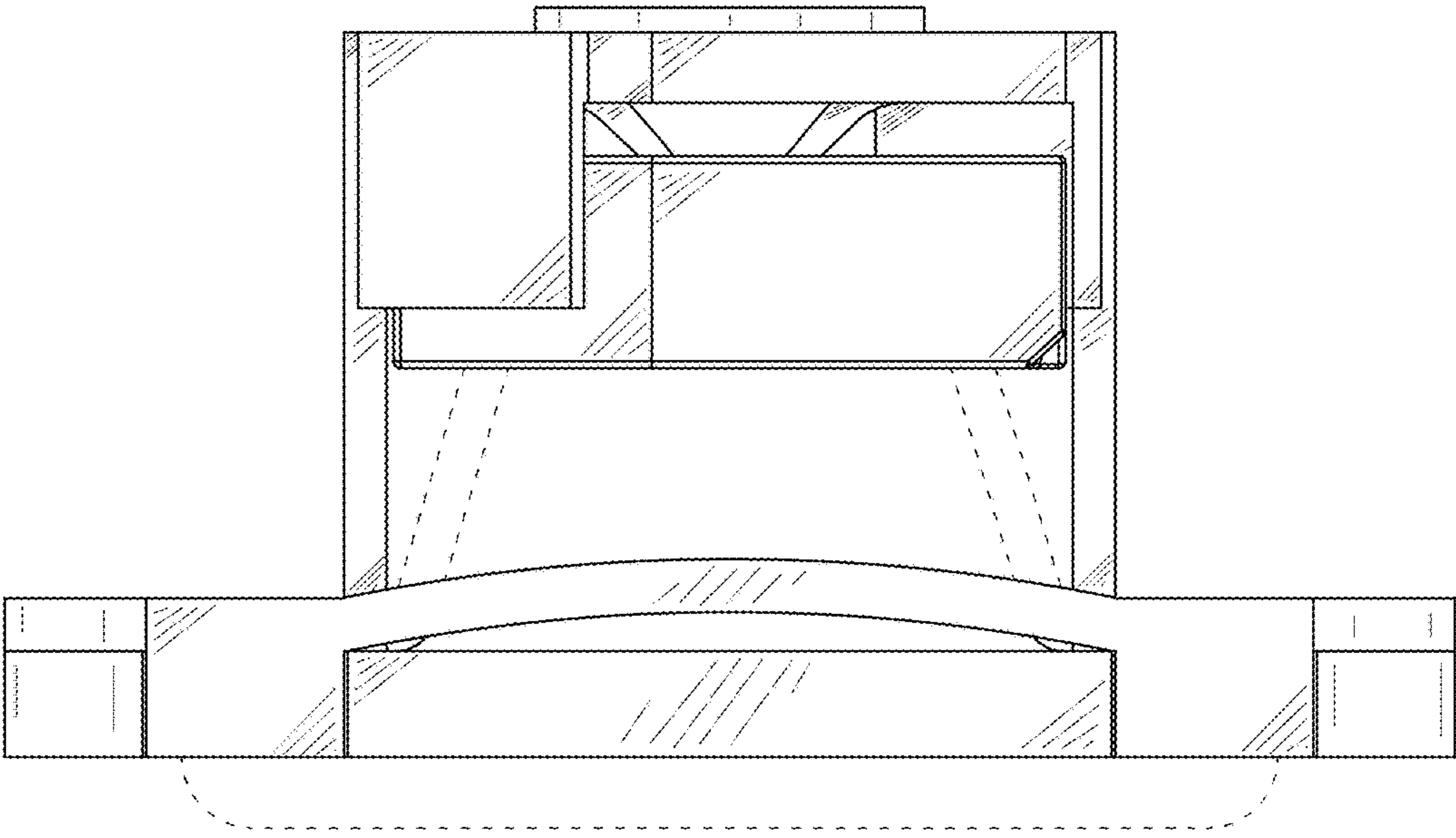


FIG.4

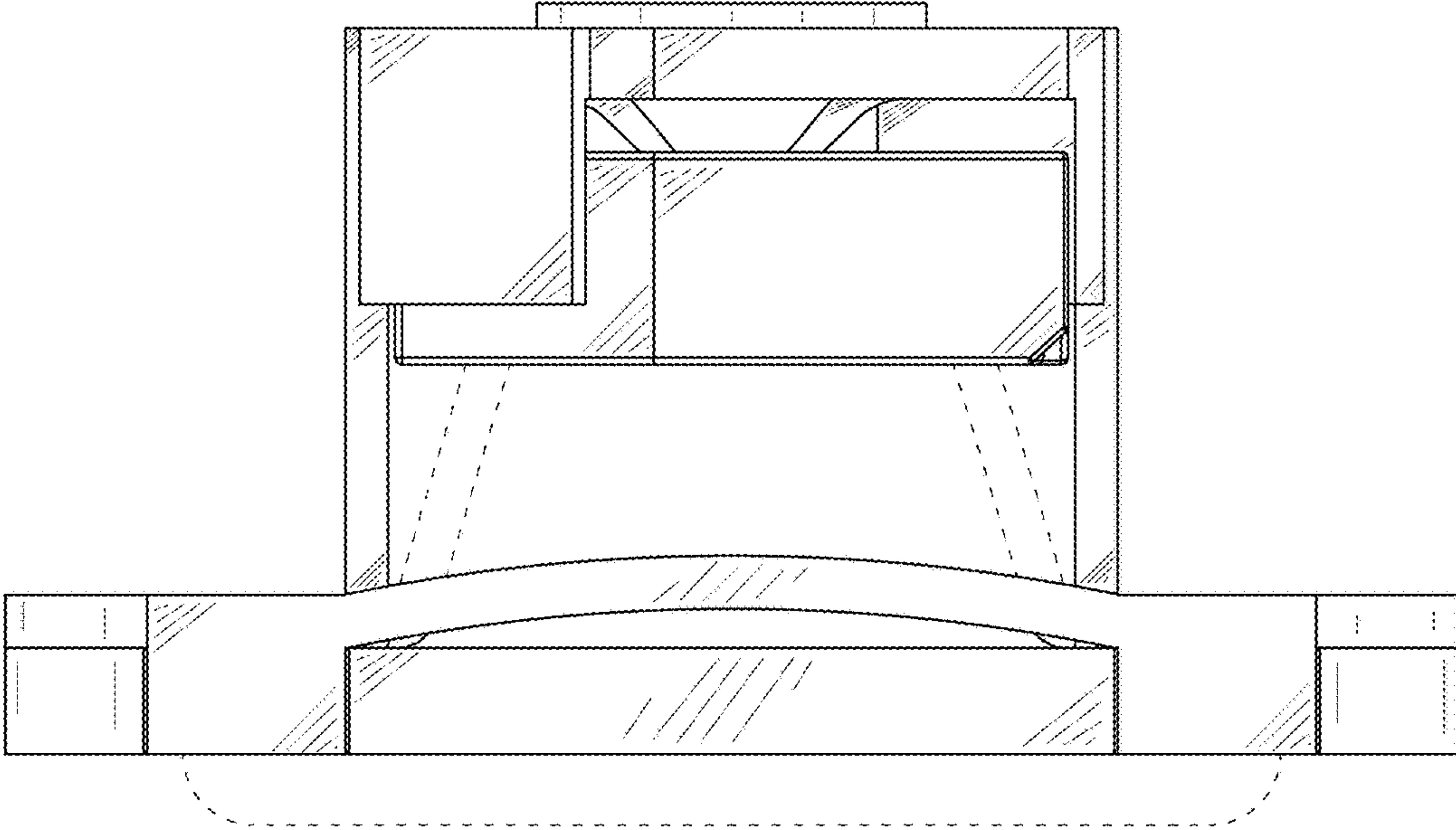


FIG.5

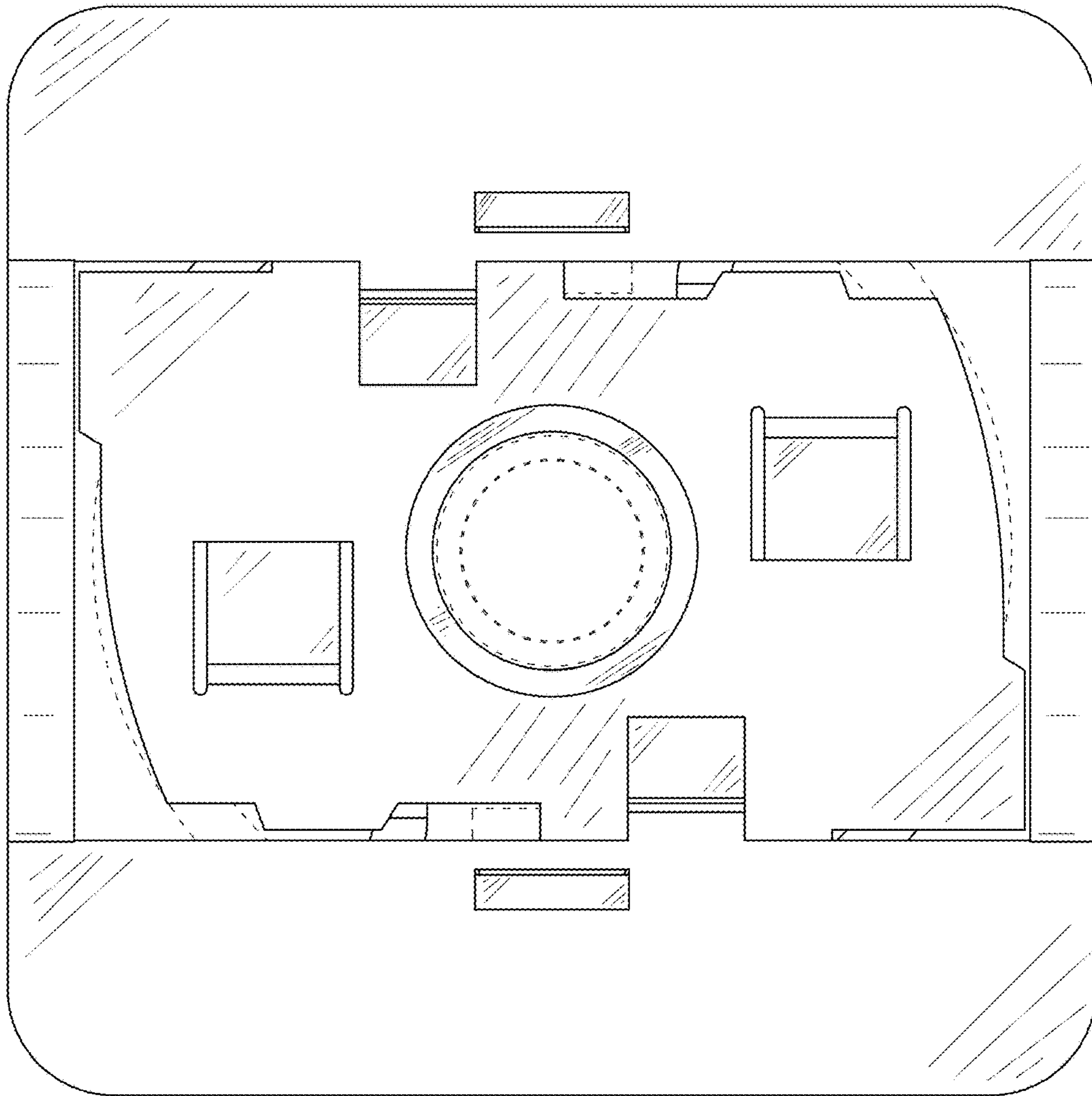


FIG.6

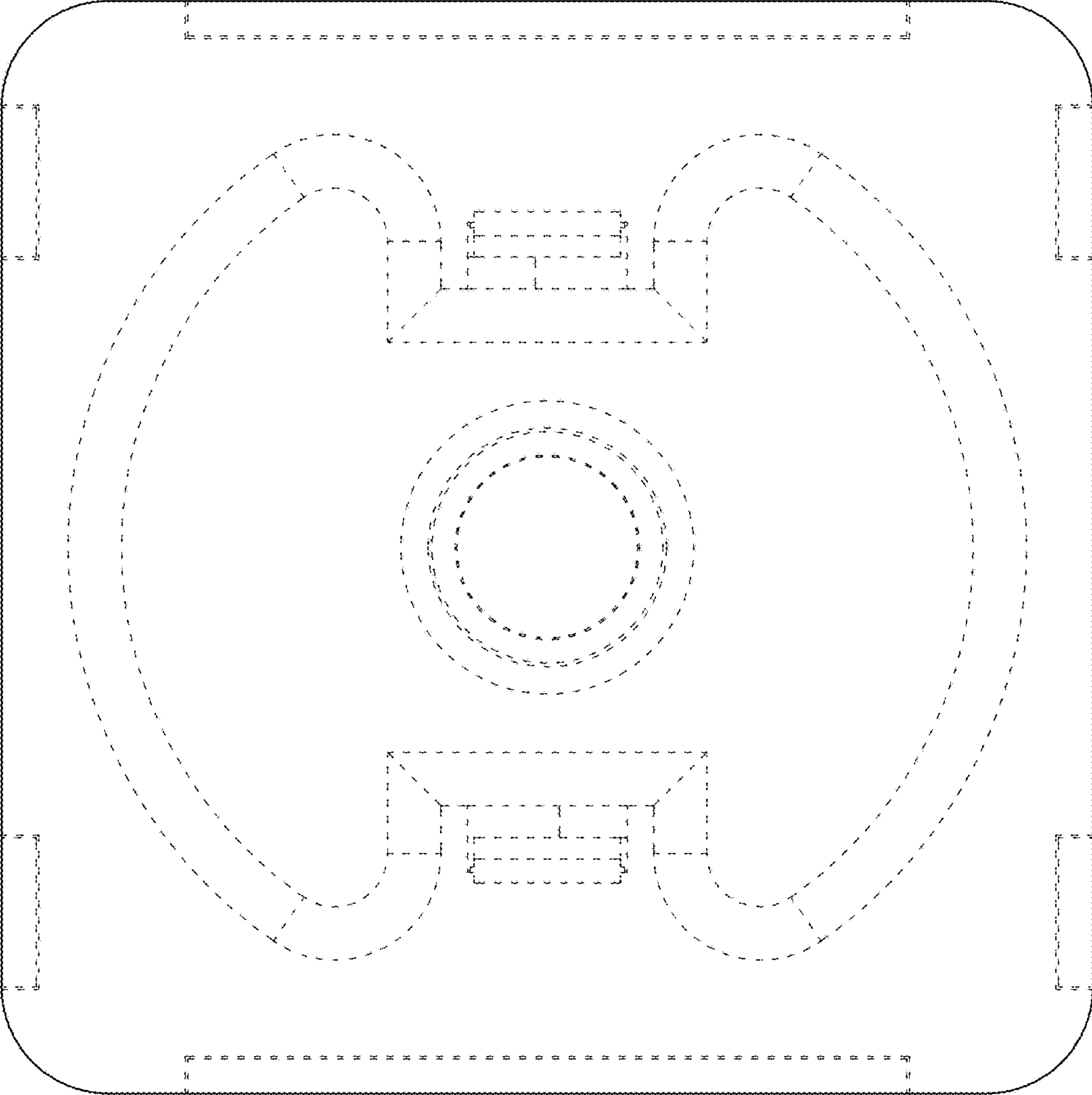


FIG. 7