

US00D860771S

(12) **United States Design Patent**
Feng

(10) **Patent No.:** **US D860,771 S**

(45) **Date of Patent:** **** Sep. 24, 2019**

(54) **QUICK RELEASE THUMB SCREW**

(71) Applicant: **Jinyao Feng**, Sunnyvale, CA (US)

(72) Inventor: **Jinyao Feng**, Sunnyvale, CA (US)

(73) Assignee: **Touching Design LLC**, Sunnyvale, CA (US)

(**) Term: **15 Years**

(21) Appl. No.: **29/645,861**

(22) Filed: **Apr. 30, 2018**

(51) **LOC (12) Cl.** **08-08**

(52) **U.S. Cl.**
USPC **D8/387**

(58) **Field of Classification Search**
USPC D8/307, 319, 320, 382, 383, 354, 356,
D8/349, 387, 399; D12/317, 223
CPC B60P 7/00; B60P 7/02; B60P 7/04; B60P
7/0807; B60P 7/132; B63B 21/045
See application file for complete search history.

(56) **References Cited**

U.S. PATENT DOCUMENTS

429,105	A	*	5/1890	Avery	B25B 1/103 269/241
D82,675	S	*	12/1930	Gullborg	D8/307
D94,408	S	*	1/1935	Carlson	D8/302
D235,617	S	*	7/1975	Tegner	D8/307
4,552,001	A	*	11/1985	Roop	E05B 5/003 70/208
D338,393	S	*	8/1993	Mine	D8/387
D377,444	S	*	1/1997	Lin	D8/107
5,599,130	A	*	2/1997	Solomon	A47C 19/024 248/228.5
D394,794	S	*	6/1998	Vasudeva	D8/107
6,151,998	A	*	11/2000	Fu-Hui	B25G 1/085 81/177.1
D454,045	S	*	3/2002	Rinner	D8/107
D481,297	S	*	10/2003	Read	D8/373

D499,010	S	*	11/2004	Velten	D8/387
D605,024	S	*	12/2009	Cotton	D8/302
D632,157	S	*	2/2011	Le	D8/306
D646,948	S	*	10/2011	Robinson	D8/83
D698,634	S	*	2/2014	Oetlinger	D8/387
D711,708	S	*	8/2014	Larson	D8/21
D718,111	S	*	11/2014	Han	D8/307
D766,709	S	*	9/2016	Koreishi	D8/383
D779,908	S	*	2/2017	Le	D8/306
D803,025	S	*	11/2017	Larose	D8/300
D813,006	S	*	3/2018	Hyma	D8/307
D821,859	S	*	7/2018	Artino	D8/387

(Continued)

OTHER PUBLICATIONS

GPCA Thumb Screw, earliest review date Mar. 13, 2017, site visited on Sep. 12, 2018 [online], <https://www.amazon.com/GPCA-Quick-Release-Tie-Down-Unlimited-1995-2018/dp/B01MR4RXDY/ref=cm_cr_arp_d_product_top?ie=UTF8>.*

(Continued)

Primary Examiner — Sandra S Snapp

Assistant Examiner — Ieisha N Price

(57)

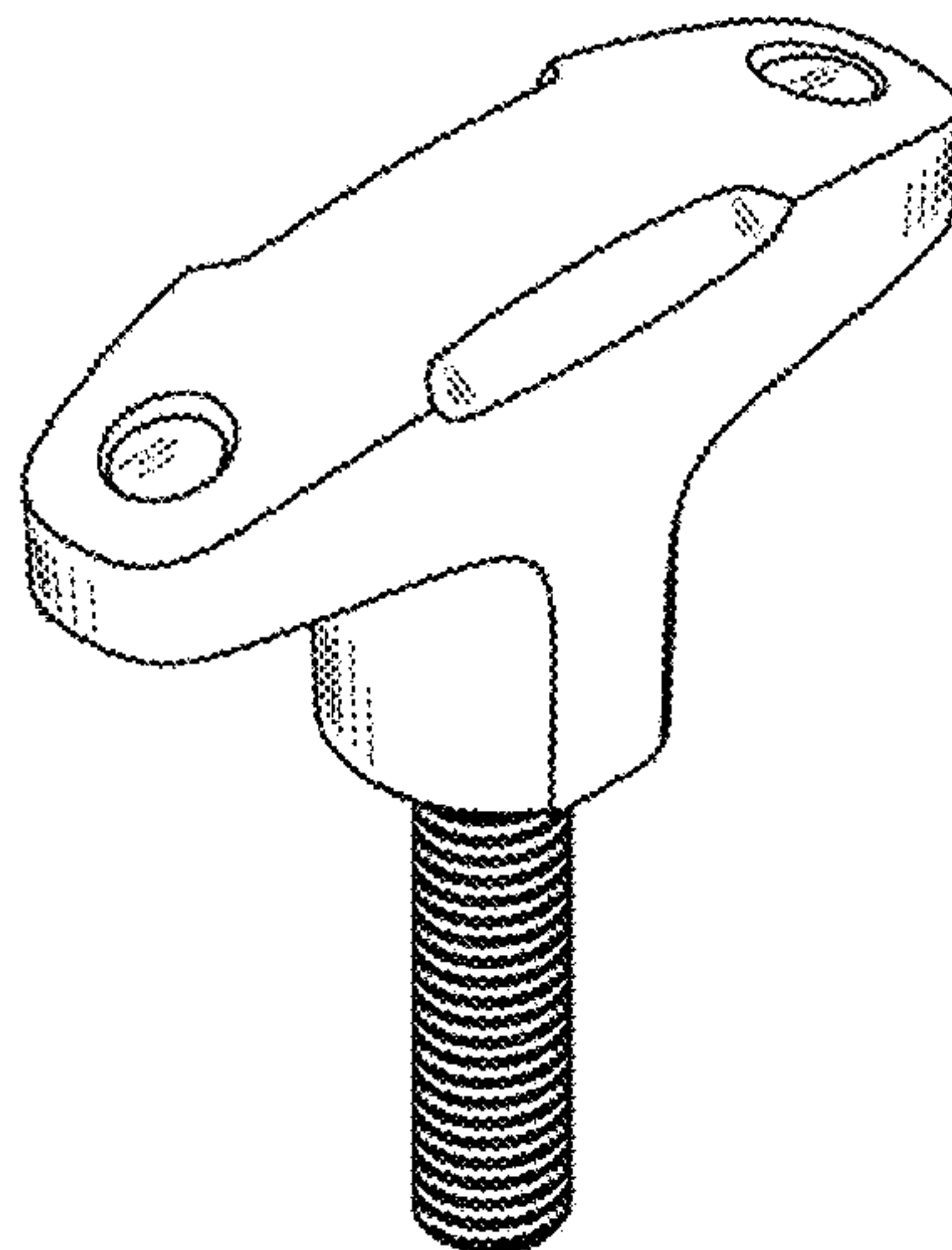
CLAIM

The ornamental design for a quick release thumb screw, as shown and described.

DESCRIPTION

FIG. 1 is a front view of a quick release thumb screw; FIG. 2 is a left view of the quick release thumb screw; FIG. 3 is a top view of the quick release thumb screw; FIG. 4 is a bottom view of the quick release thumb screw; FIG. 5 is a first perspective view of the quick release thumb screw; and, FIG. 6 is a second perspective view of the quick release thumb screw. The back view is a mirror image of the front view; the right view is a mirror image of the left view.

1 Claim, 6 Drawing Sheets



(56)

References Cited

U.S. PATENT DOCUMENTS

2003/0182828 A1* 10/2003 Schmidt B60R 13/105
40/200
2010/0288087 A1* 11/2010 Lai B25G 1/085
81/490
2017/0355297 A1* 12/2017 Chimenti B60P 7/0807
2018/0208102 A1* 7/2018 Dellock B60P 7/0807

OTHER PUBLICATIONS

Amazon—American 4wheel—Downloaded Oct. 3, 2018 from https://www.amazon.com/American-4wheel-Accessories-Unlimited-SaharaSports/dp/B07CKNFXN/ref=sr_1_20?ie=UTF8&qid=1538502940&sr=8-20&keywords=thumb+screws+jeep; prior art publication at least as of Apr. 21, 2018.

Amazon—Dovewill—Downloaded on Oct. 3, 2018 from https://www.amazon.com/Dovewill-Hardtop-Washers-Fastener-Wrangler/dp/B071S44C95/ref=sr_1_2?s=industrial&ie=UTF8&qid=1538503008&sr=1-2&keywords=thumb+screws+jeep; prior art publication at least as of Sep. 4, 2017.

Amazon—Boablaze—Downloaded on Oct. 3, 2018 from https://www.amazon.com/Baoblaze-T-shaped-Threading%EF%BC%8817mm-Rotating-Adjustable/dp/B07FVW8H3Z/ref=sr_1_1?s=industrial&ie=UTF8&qid=1538503074&sr=1-1&keywords=t+screw; prior art publication at least as of Jul. 25, 2018.

* cited by examiner

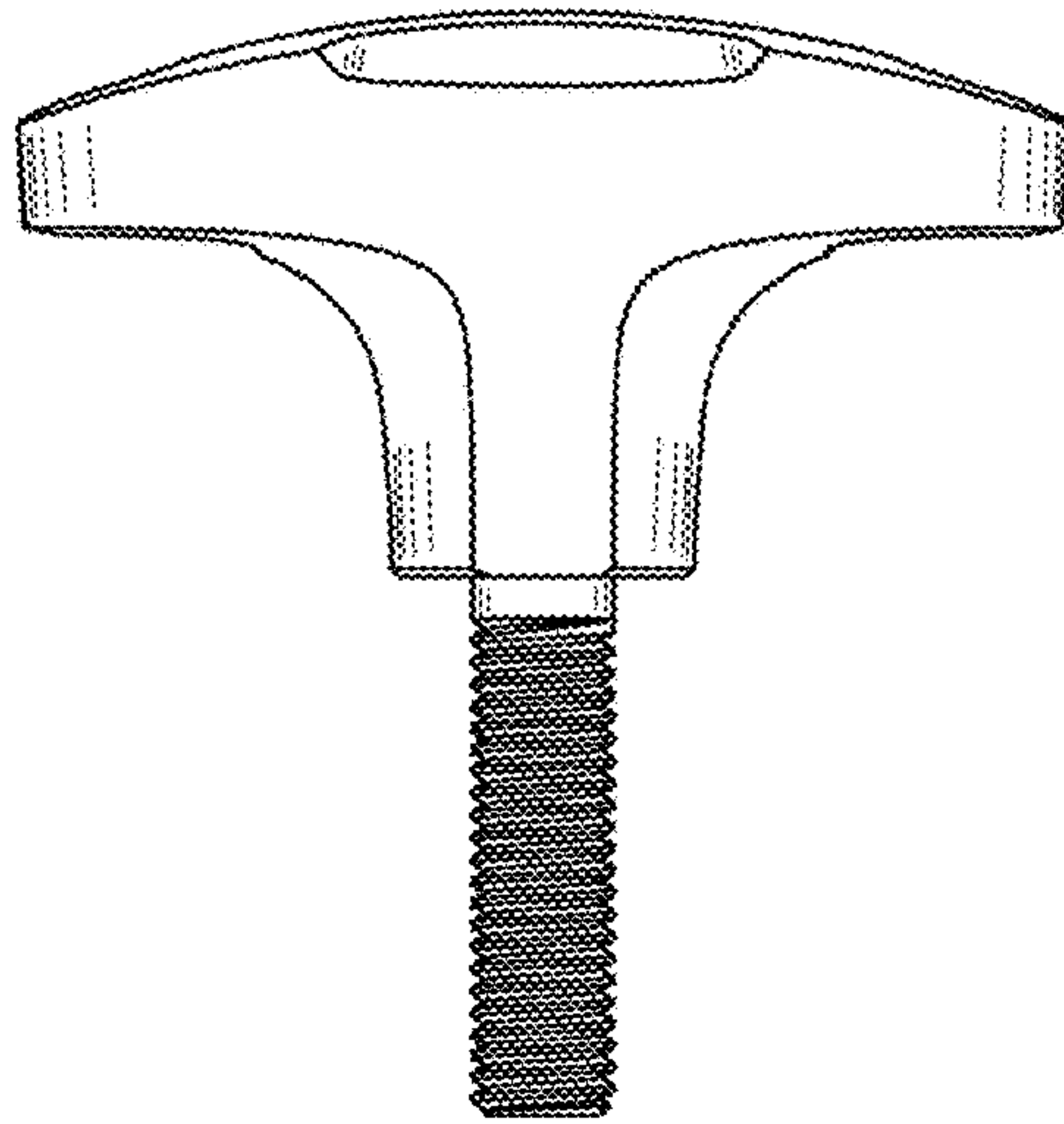


FIG. 1

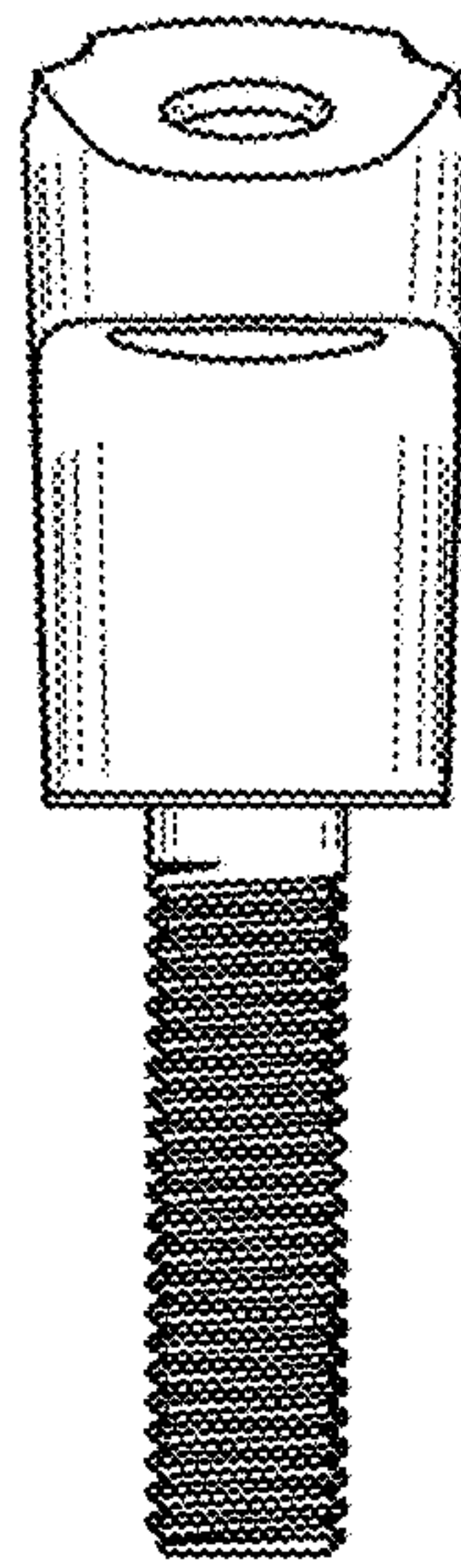


FIG. 2

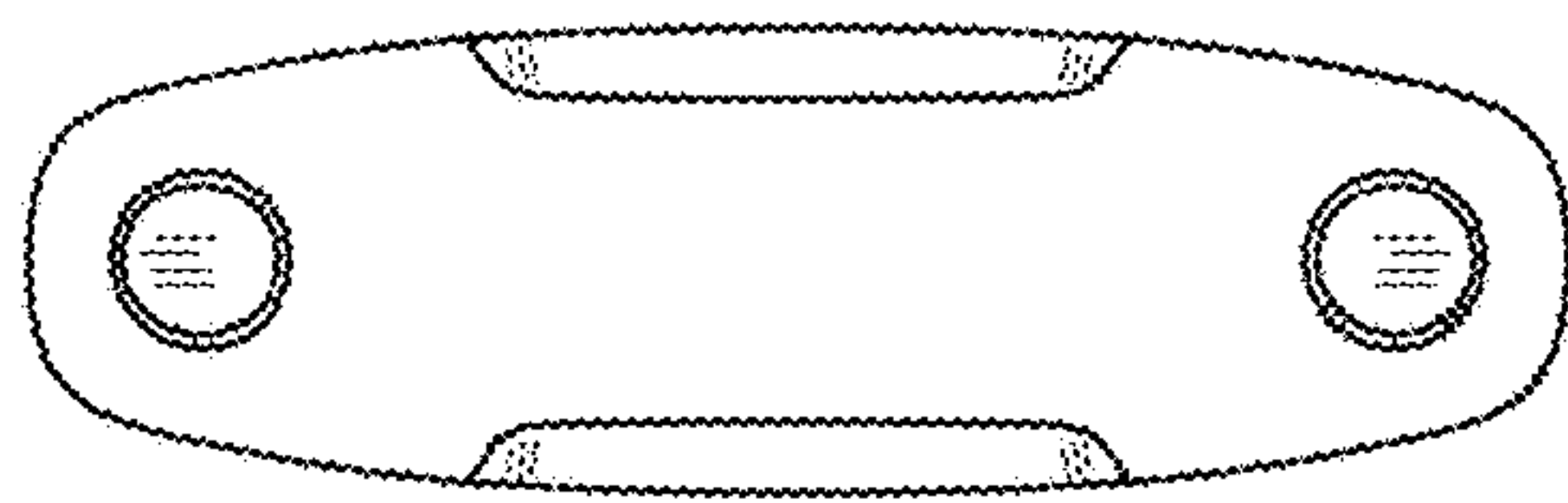


FIG. 3

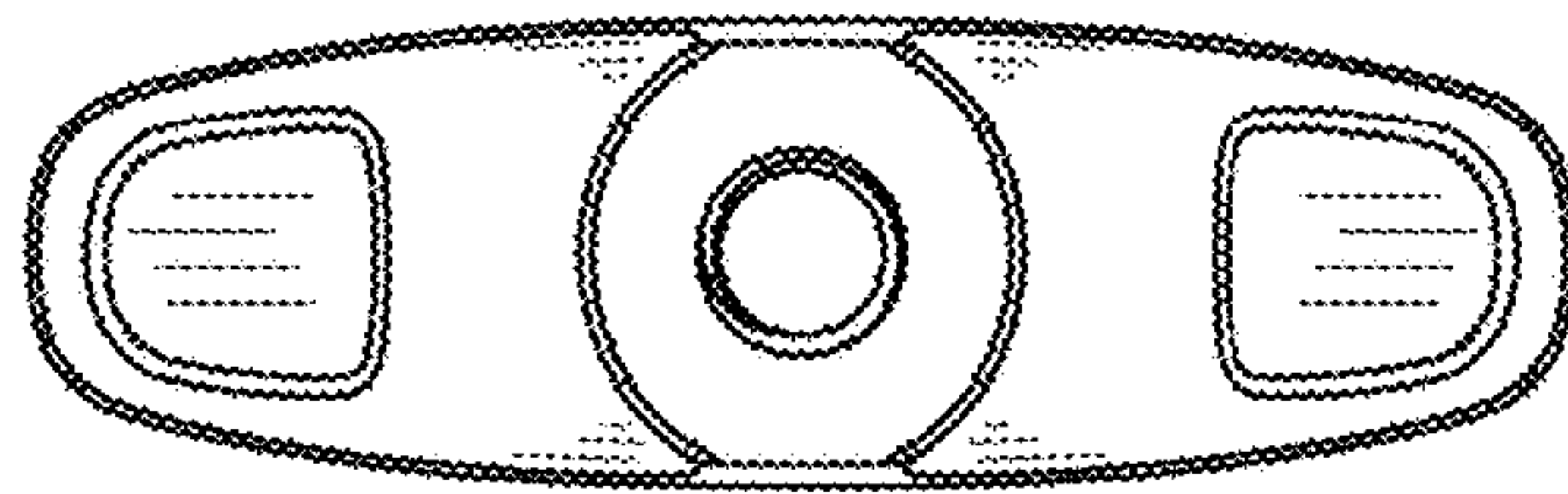


FIG. 4

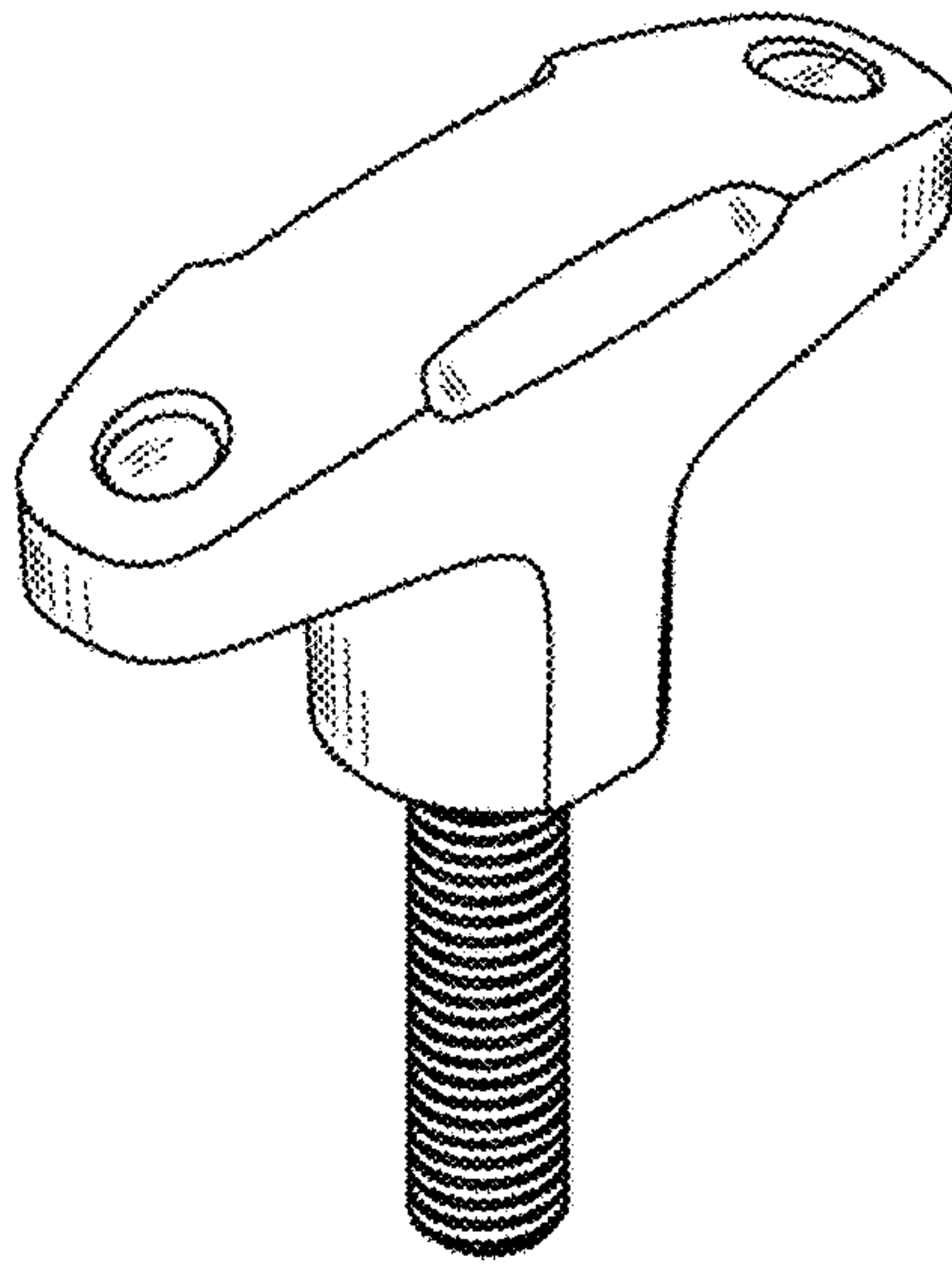


FIG. 5

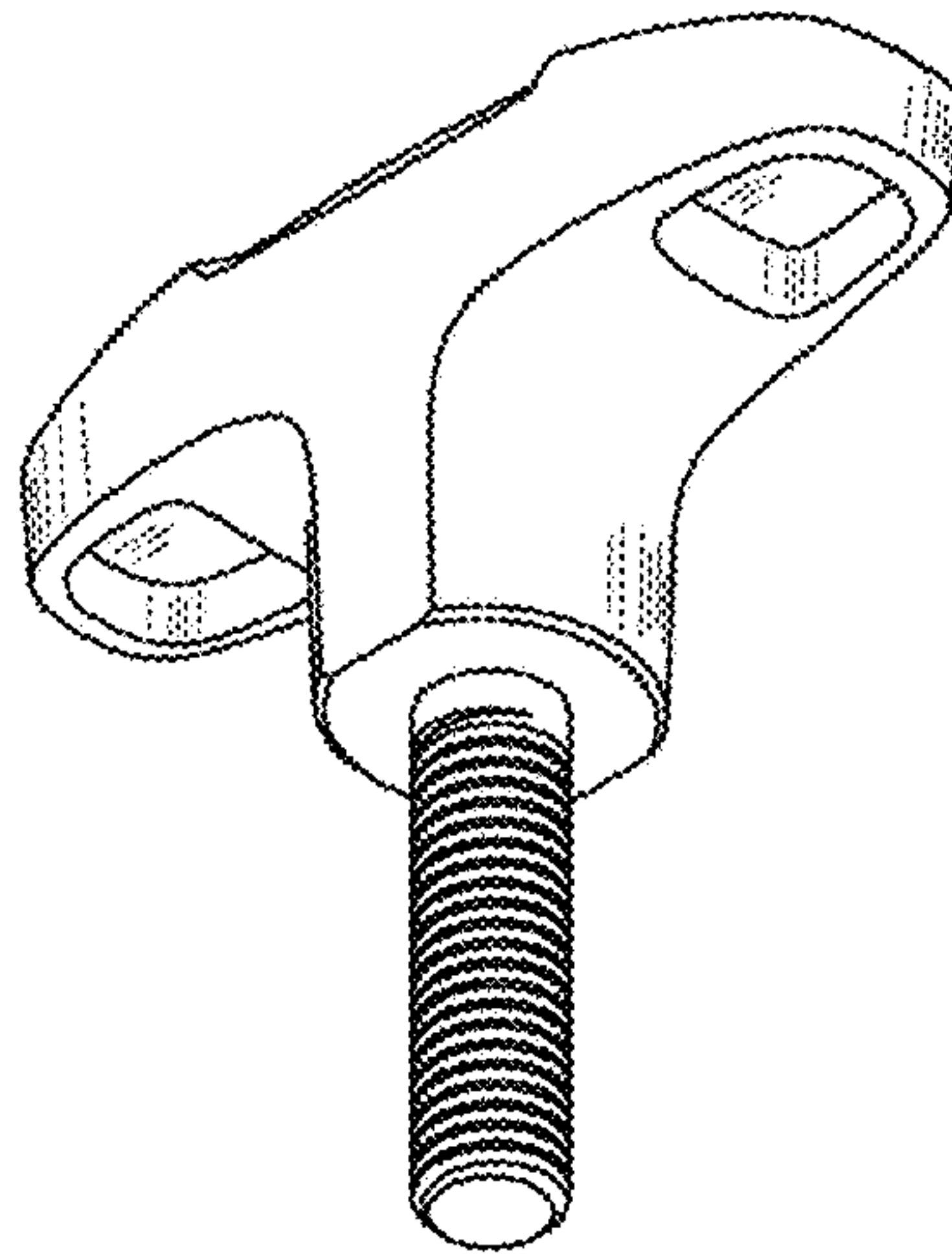


FIG. 6