



US00D860770S

(12) **United States Design Patent** (10) **Patent No.:** **US D860,770 S**
Frey (45) **Date of Patent:** **** Sep. 24, 2019**

(54) **ANCHOR** 5,558,479 A * 9/1996 McElderry F16B 13/002
411/178
(71) Applicant: **fischerwerke GmbH & Co. KG,** 5,630,688 A * 5/1997 Tran F16B 13/002
Waldachtal (DE) 411/31
5,692,864 A * 12/1997 Powell F16B 13/002
411/30
(72) Inventor: **Christian Frey,** Waldachtal (DE) 5,876,169 A * 3/1999 Wrigley F16B 13/002
411/29

(73) Assignee: **fischerwerke GmbH & Co. KG,**
Waldachtal (DE)

(Continued)

(**) Term: **15 Years**

FOREIGN PATENT DOCUMENTS

(21) Appl. No.: **29/637,589**

DE 4106467 9/1992
EP 1298331 4/2003

(22) Filed: **Feb. 20, 2018**

(Continued)

(30) **Foreign Application Priority Data**

OTHER PUBLICATIONS

Sep. 15, 2017 (EM) 004354520

MFJ Fiber Jet Polyamide, [online], [retrieved on Feb. 16, 2018].
Retrieved from Internet, <URL: <https://www.mungo.swiss/de/produkte/qt/mfj-fiber-jet-kunststoff.html>>.

(51) **LOC (12) Cl.** **08-08**

(Continued)

(52) **U.S. Cl.**
USPC **D8/385**

(58) **Field of Classification Search**
USPC D8/382, 384, 385, 387, 388, 393, 499
CPC F16B 13/124; F16B 13/04; F16B 13/045;
F16B 13/126; F16B 13/00; F16B 13/06;
F16B 13/12; F16B 13/002; F16B 13/001;
F16B 13/08; F16B 13/128; F16B 13/005;
F16B 25/00; F16B 33/02; F16B 33/002;
F16B 39/06; Y10T 408/893; Y10T
408/8973; Y10S 411/908

Primary Examiner — Sandra S Snapp
Assistant Examiner — Ieisha N Price
(74) *Attorney, Agent, or Firm* — Renner, Otto, Boisselle
and Sklar, LLP

See application file for complete search history.

(57) **CLAIM**

The ornamental design for an anchor, as shown and described.

(56) **References Cited**

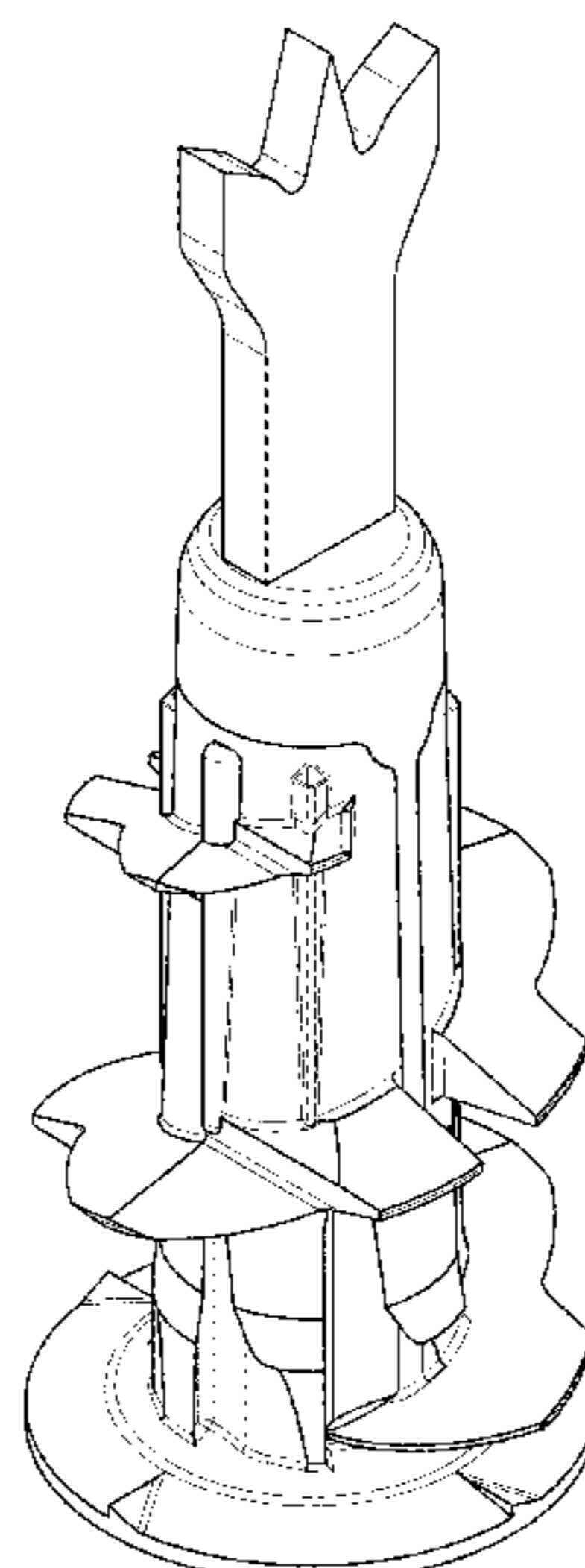
DESCRIPTION

U.S. PATENT DOCUMENTS

2,263,424 A * 11/1941 Langer F16B 25/0015
409/66
5,322,401 A * 6/1994 Vernet B29C 45/0017
264/328.8
5,551,818 A * 9/1996 Koppel F16B 19/083
411/387.1

FIG. 1 is a top, right, front perspective view of an anchor showing my new design;
FIG. 2 is a right side elevation view thereof;
FIG. 3 is a front elevation view thereof;
FIG. 4 is a left side elevation view thereof;
FIG. 5 is a rear elevation view thereof;
FIG. 6 is an enlarged top plan view thereof; and,
FIG. 7 is an enlarged bottom plan view thereof.

1 Claim, 7 Drawing Sheets



(56)

References Cited

U.S. PATENT DOCUMENTS

6,079,921 A * 6/2000 Gauthier F16B 13/002
411/110
6,382,892 B1 * 5/2002 Hempfling F16B 13/002
411/178
7,290,972 B2 11/2007 Gauthier et al.
D590,239 S * 4/2009 Gaudron D8/367
D605,933 S * 12/2009 Gaudron D8/385
9,464,656 B2 * 10/2016 Faguer F16B 25/103
2003/0020678 A1 1/2003 Ozawa et al.
2005/0002752 A1 * 1/2005 Hepworth B25B 13/48
411/103
2005/0008450 A1 * 1/2005 Gauthier F16B 13/002
411/387.1
2005/0175429 A1 * 8/2005 Panasik F16B 13/002
411/80.1
2006/0120822 A1 * 6/2006 Kaye F16B 13/001
411/30
2006/0127199 A1 * 6/2006 Bappert F16B 13/002
411/411
2006/0165506 A1 * 7/2006 Panasik F16B 13/002
411/30
2006/0245841 A1 * 11/2006 Ernst F16B 13/002
411/30
2008/0292422 A1 * 11/2008 Lin F16B 13/003
411/31
2010/0003100 A1 * 1/2010 Ernst F16B 13/002
411/30

FOREIGN PATENT DOCUMENTS

JP 2003239933 8/2000
JP 2013231473 11/2013
JP 2017129214 7/2017

OTHER PUBLICATIONS

MJP Jet Plug Metal, [online], [retrieved on Feb. 16, 2018]. Retrieved from Internet, <URL: <https://www.mungo.swiss/de/produkte/qr/mjp-jet-plug-metall.html>>.

Wuerth Plasterboard Plug W-GS Type ZD, [online], [retrieved on Feb. 16, 2018]. Retrieved from Internet, <URL: https://eshop.wuerth.de/is-bin/INTERSHOP.enfinity/WFS/1401-B1-Site/de_DE/-/EUR/ViewModelDetail-ShowRecommendedModel?CatalogCategoryID=vzgKD92eP9AAAAFAmTQWAdAR0M&CampaignName=CS008&Recold=categorytopseller%40categorypageA>.

Wuerth Plasterboard Plug W-GS Type K, [online], [retrieved on Feb. 16, 2018]. Retrieved from Internet, <URL: https://eshop.wuerth.de/is-bin/INTERSHOP.enfinity/WFS/1401-B1-Site/de_DE/-/EUR/ViewCatalog-Browse?CatalogCategoryRef=14014507010101%40WuerthGroup-Wuerth-1401&CatalogCategoryID=8NkKD92e0JgAAAFahDQdAR0M&SelectedFilterAttribut=%255B%255D>.

Tox Company Product Catalogue Spiral, [online], [retrieved on Feb. 16, 2018]. pp. 178-181.

* cited by examiner

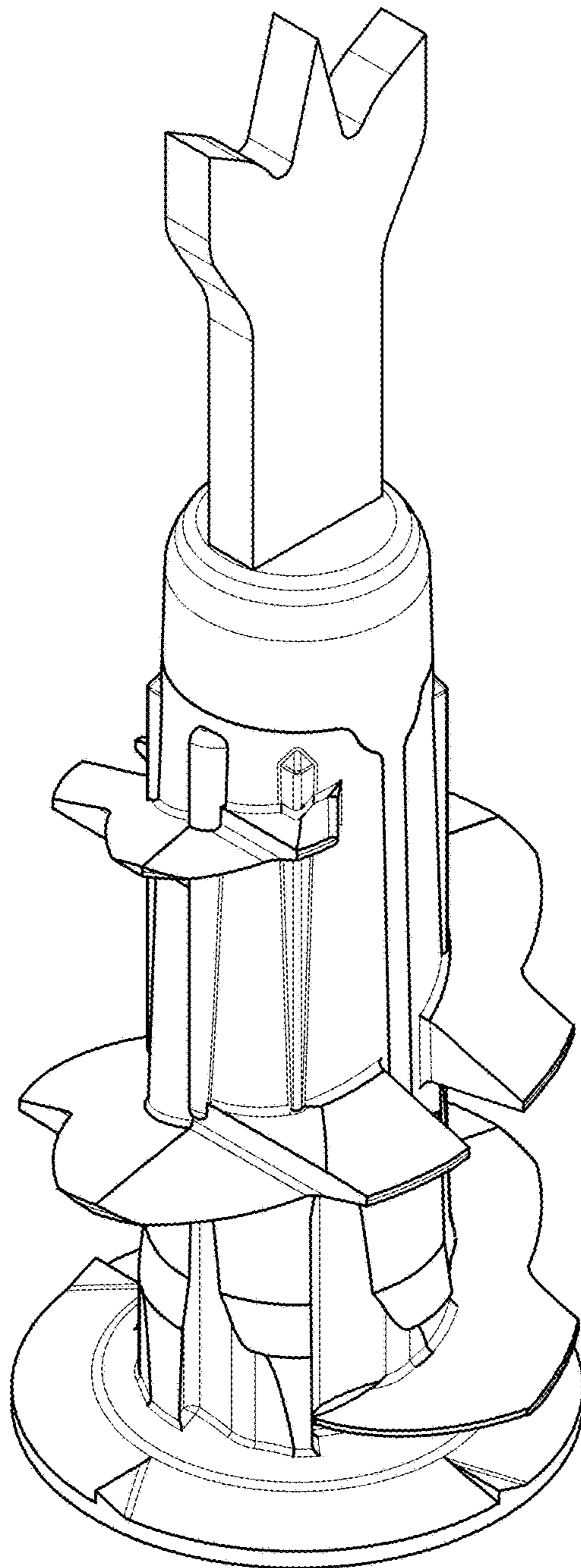


FIG. 1

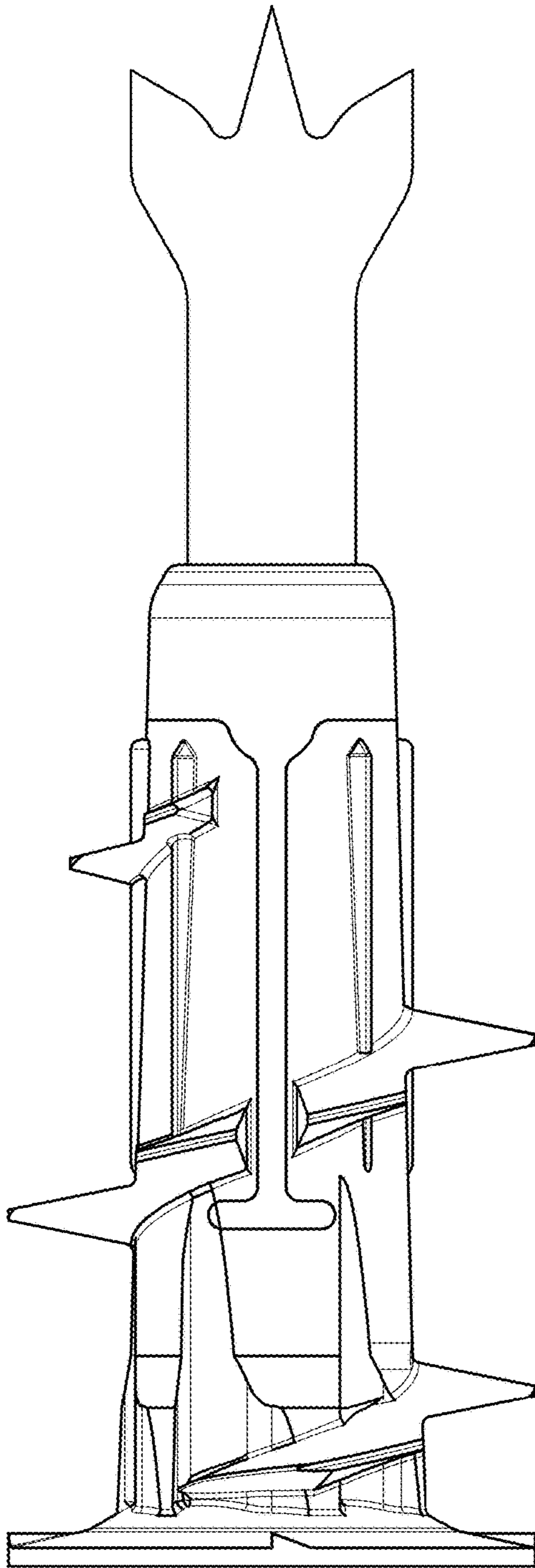


FIG. 2

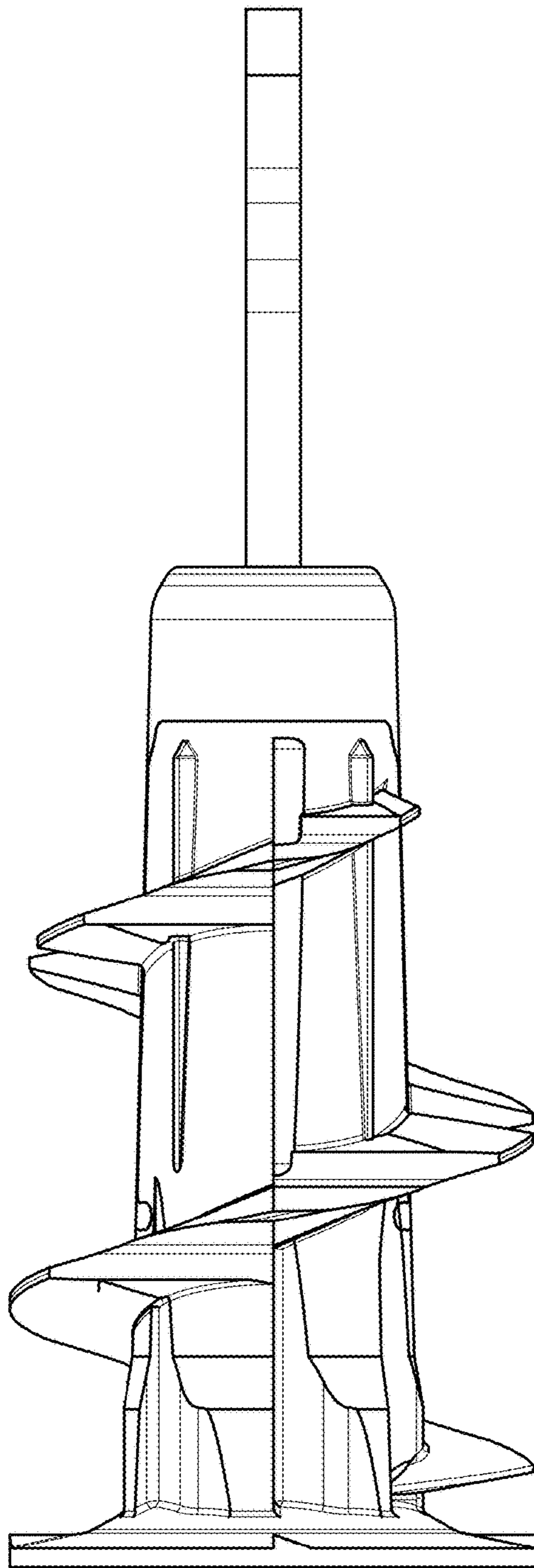


FIG. 3

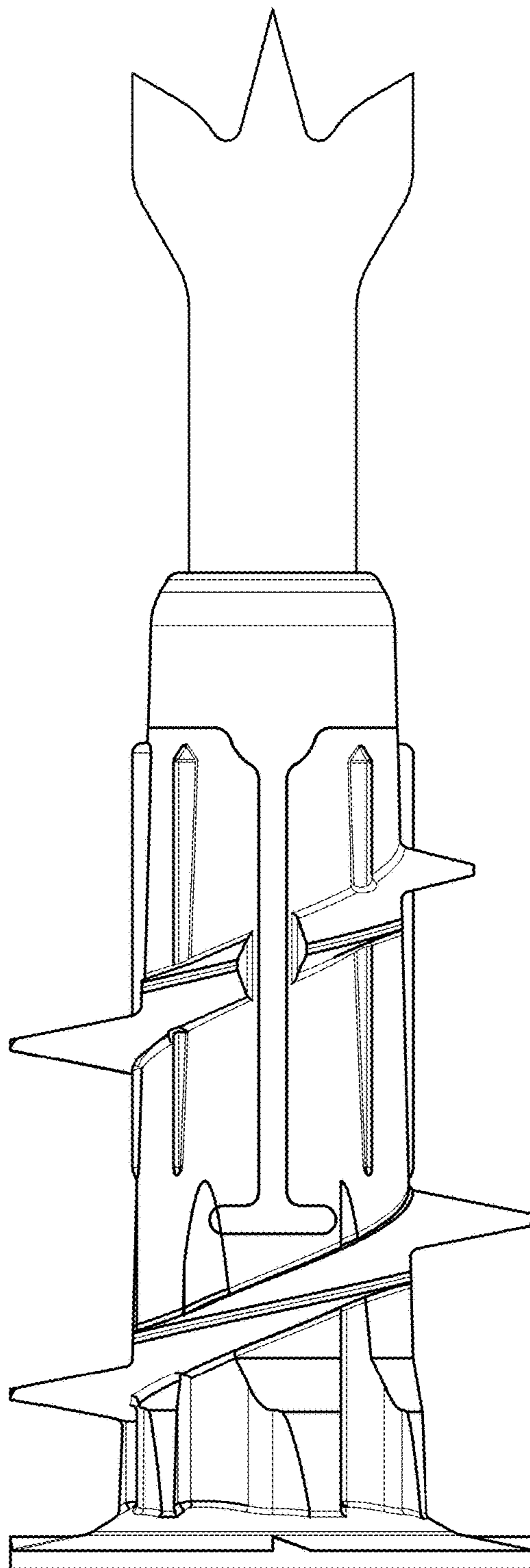


FIG. 4

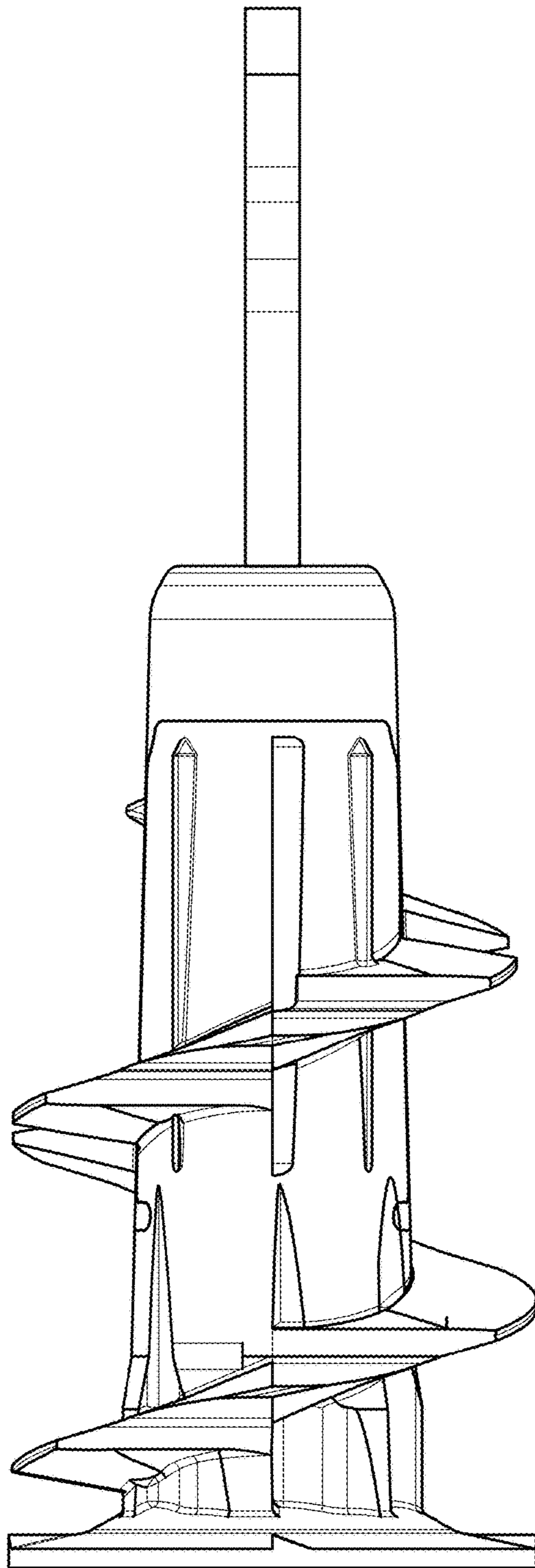


FIG. 5

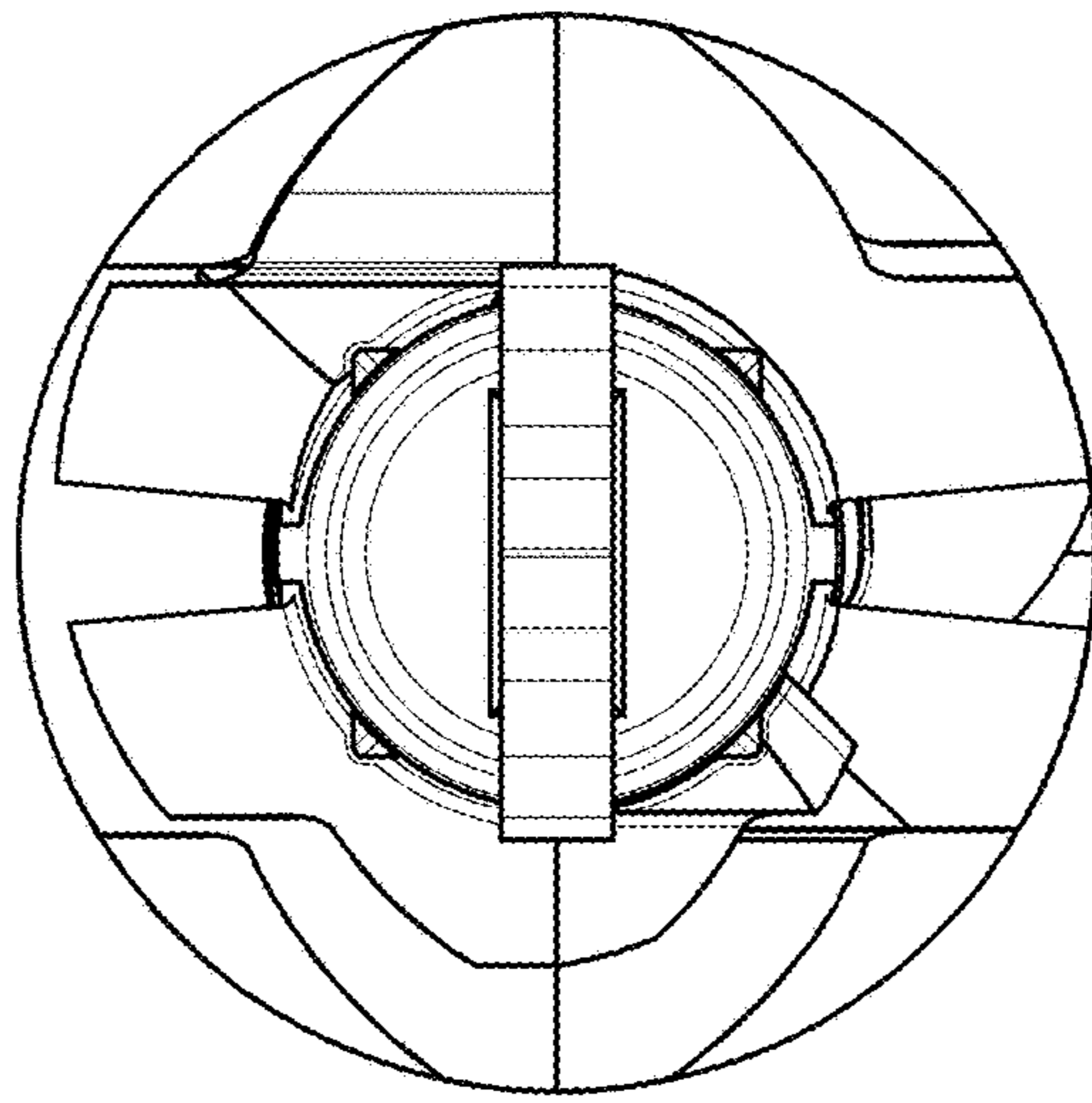


FIG. 6

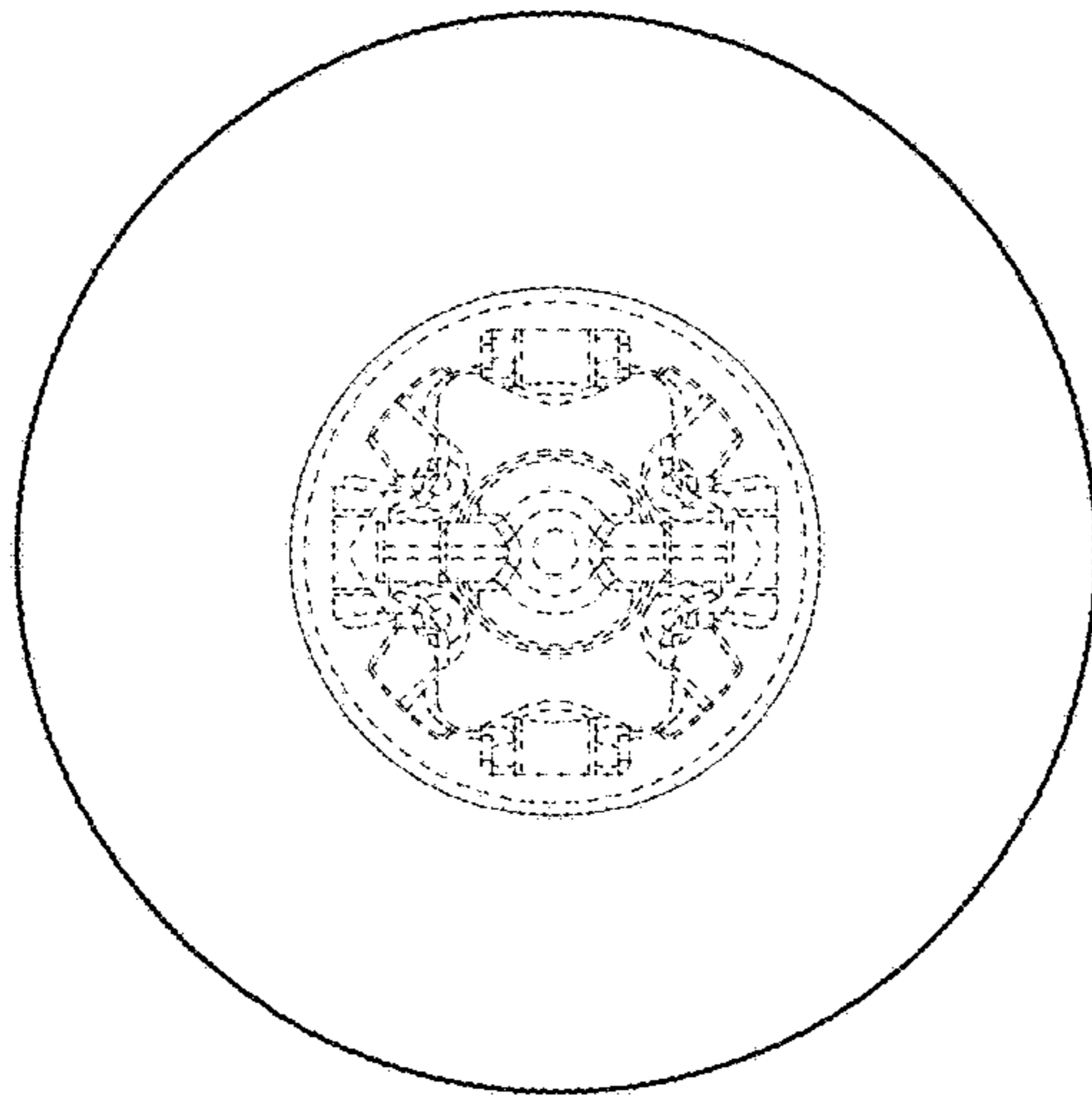


FIG. 7