



US00D860769S

(12) **United States Design Patent**
Wokutch et al.

(10) **Patent No.:** **US D860,769 S**

(45) **Date of Patent:** **** Sep. 24, 2019**

- (54) **ROTATABLE STUD FRAMING GUIDE**
- (71) Applicants: **Jason Thomas Wokutch**, Fairview, PA (US); **Michael Paul**, Chicora, PA (US)
- (72) Inventors: **Jason Thomas Wokutch**, Fairview, PA (US); **Michael Paul**, Chicora, PA (US)
- (73) Assignees: **Jason Thomas Wokutch**, Fairview, PA (US); **Michael Paul**, Chicora, PA (US)

- 3,184,800 A * 5/1965 Nelson E04B 1/2608
403/217
- D203,133 S * 12/1965 Senek et al. 52/241
- 3,537,221 A * 11/1970 Helfman E04B 5/12
403/232.1
- 3,831,338 A * 8/1974 Klingensmith F16B 7/00
403/231
- 3,907,445 A * 9/1975 Wendt E04B 1/2612
403/191
- D242,037 S * 10/1976 France D25/61
- D248,275 S * 6/1978 Gilb D8/380
- D257,325 S * 10/1980 Jones D25/199
- D474,676 S * 5/2003 Bainbridge D8/354

(**) Term: **15 Years**

(21) Appl. No.: **29/634,743**

(22) Filed: **Jan. 24, 2018**

Related U.S. Application Data

- (63) Continuation-in-part of application No. 29/618,406, filed on Sep. 21, 2017, now Pat. No. Des. 845,116.
- (51) **LOC (12) Cl.** **08-08**
- (52) **U.S. Cl.**
USPC **D8/380**
- (58) **Field of Classification Search**
USPC D8/354, 363, 366, 373, 376, 380, 382,
D8/394, 395; D25/61, 133, 199
CPC E04B 1/2403; E04B 1/2604; E04B 1/2608;
E04B 1/2612; E04B 2001/2616; E04B
2001/2644; E04B 5/12; F16B 7/00
See application file for complete search history.

(56) **References Cited**

U.S. PATENT DOCUMENTS

- 529,331 A * 11/1894 Lane E04B 1/2403
403/189
- 2,369,687 A * 2/1945 Ralston E04B 1/2608
296/30
- D186,812 S * 12/1959 Reidelbach, Jr. D25/199
- 3,036,347 A * 5/1962 Findleton E04B 1/2612
403/217

FOREIGN PATENT DOCUMENTS

- GB 4003020 * 6/2007
- JP D1428855 * 12/2011
- JP D1455498 * 11/2012

Primary Examiner — Leanne Was-Englehart

(74) *Attorney, Agent, or Firm* — Ulmer & Berne LLP

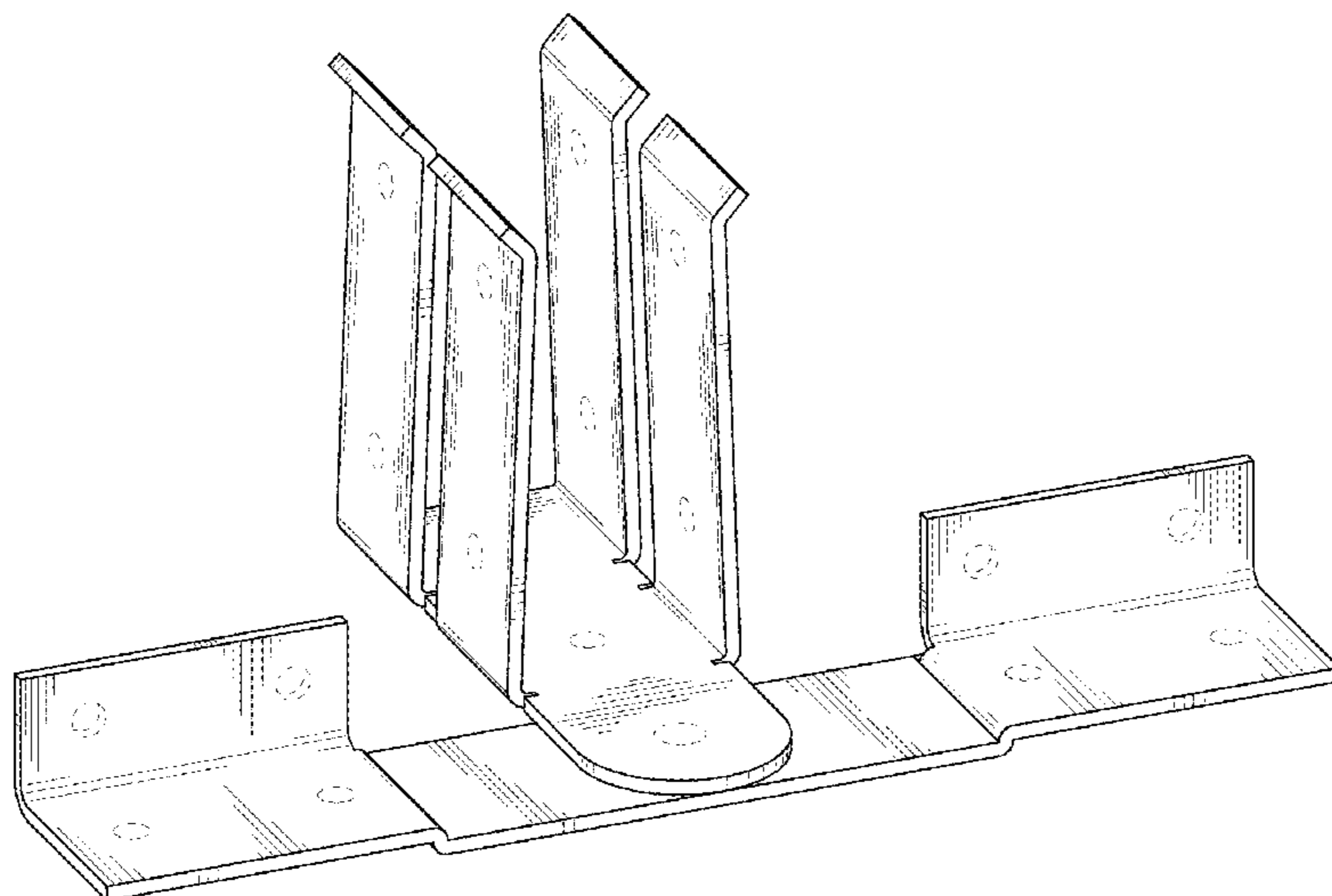
(57) **CLAIM**

We claim the ornamental design for a rotatable stud framing guide, as shown and described.

DESCRIPTION

FIG. 1 is a perspective view of a rotatable stud framing guide;
 FIG. 2 is a back view thereof;
 FIG. 3 is a front view thereof;
 FIG. 4 is a top view thereof;
 FIG. 5 is a bottom view thereof;
 FIG. 6 is a left side view thereof;
 FIG. 7 is a right side view thereof;
 FIG. 8 is a perspective rotated view thereof; and,
 FIG. 9 is a bottom rotated view thereof.
 In the drawings herein, the broken lines depict portions of the rotatable stud framing guide that form no part of the claimed design.

1 Claim, 5 Drawing Sheets



(56)

References Cited

U.S. PATENT DOCUMENTS

D484,029	S *	12/2003	Bainbridge	D8/380
D558,039	S *	12/2007	Skinner	D8/354
D558,040	S *	12/2007	Skinner	D8/354
D558,041	S *	12/2007	Skinner	D8/354
D611,887	S *	3/2010	Peschmann	D12/223
D659,522	S *	5/2012	Noturno	F16B 5/0028
				D8/382
D664,028	S *	7/2012	Stehler	D8/384
D664,029	S *	7/2012	Mathur	D8/380
D665,656	S *	8/2012	Anzelmo	D8/380
D668,562	S *	10/2012	Madrack	D10/65
D672,885	S *	12/2012	Yoder	D25/119
D724,418	S *	3/2015	Fairchild	D8/380
D787,304	S *	5/2017	Rathman	D8/380
D813,020	S *	3/2018	DeDios-Shirley	D8/380
D815,515	S *	4/2018	White	D8/380
10,233,632	B1 *	3/2019	Wokutch	E04B 1/2604
D845,116	S *	4/2019	Wokutch	D8/380
2013/0247499	A1 *	9/2013	Zimmerman	E04B 1/2608
				52/582.1
2019/0048577	A1 *	2/2019	Studer	E04B 1/40

* cited by examiner

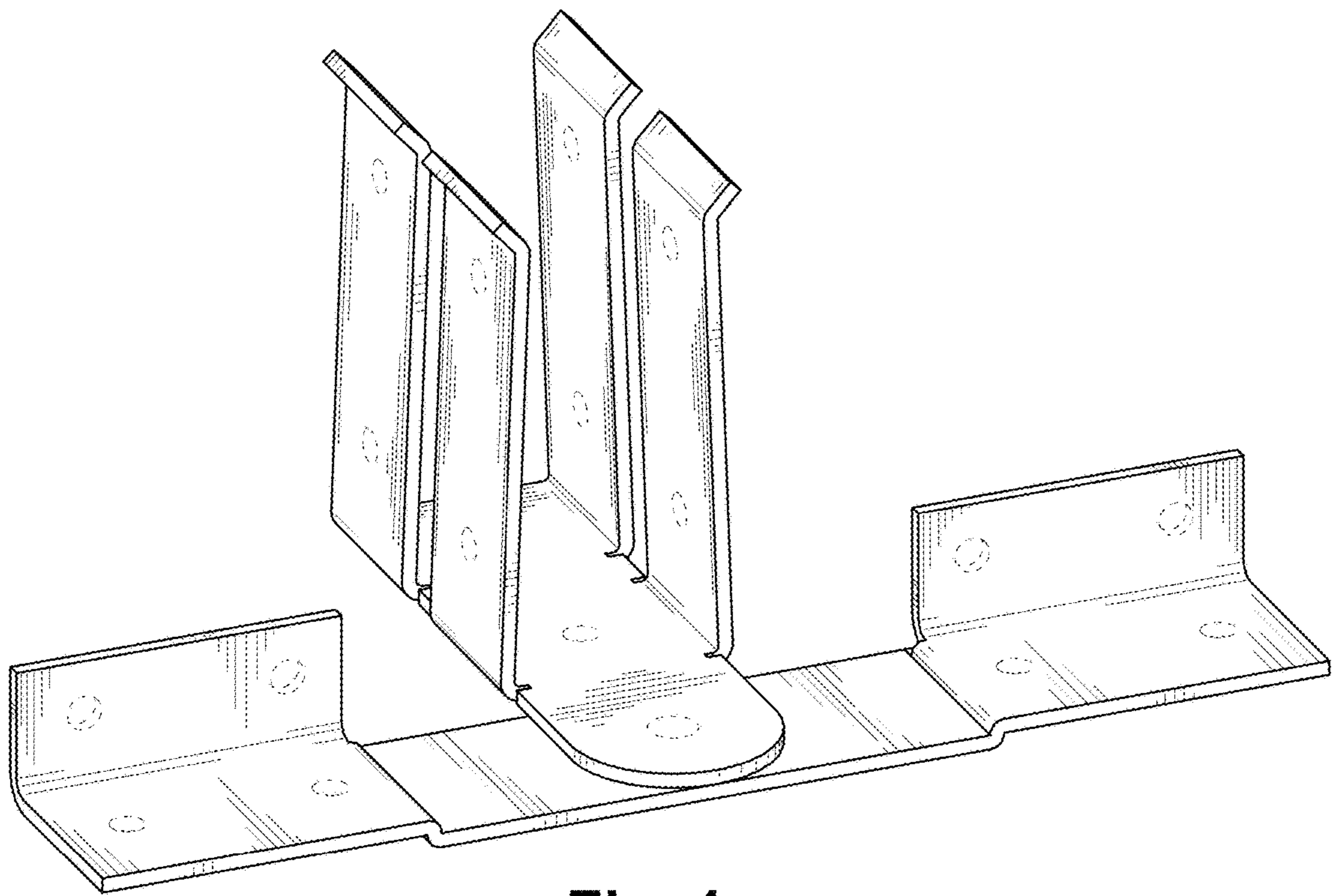


Fig. 1

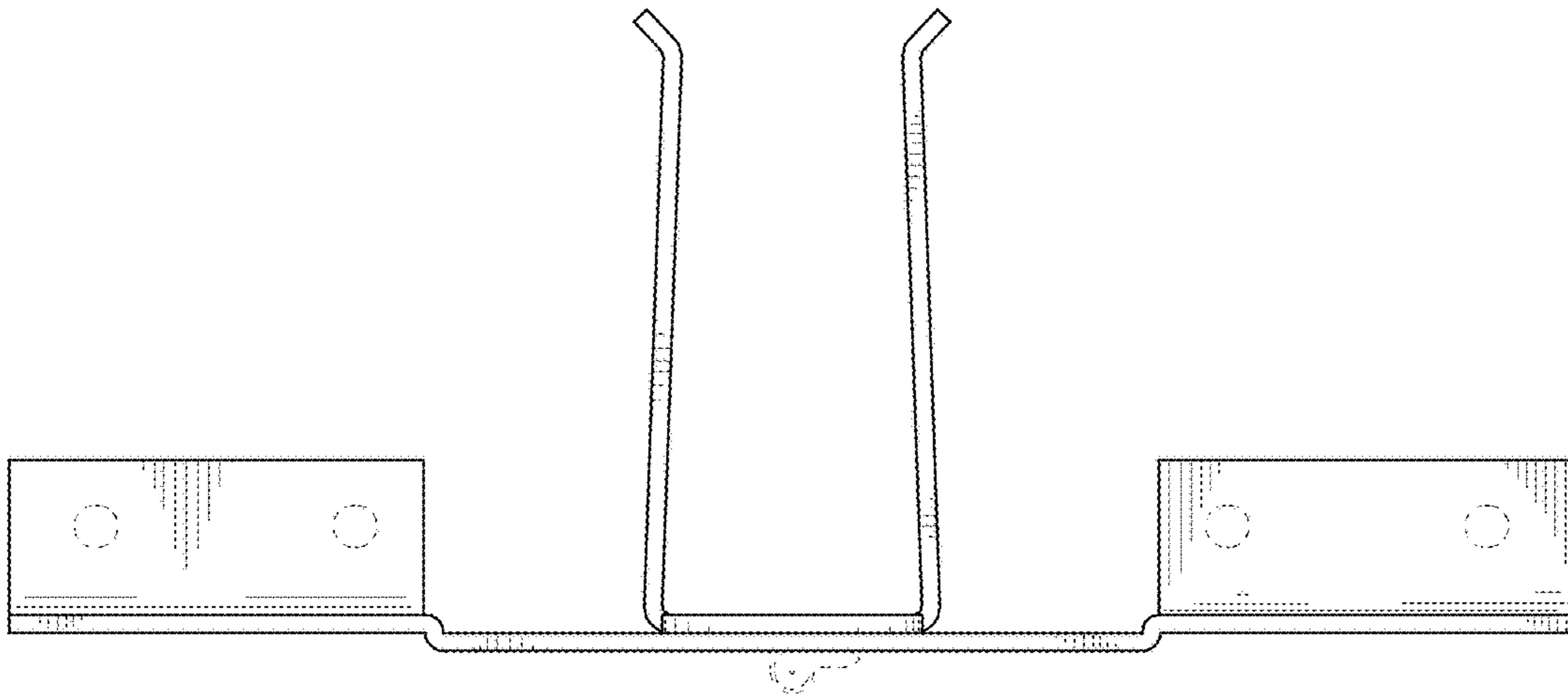


Fig. 2

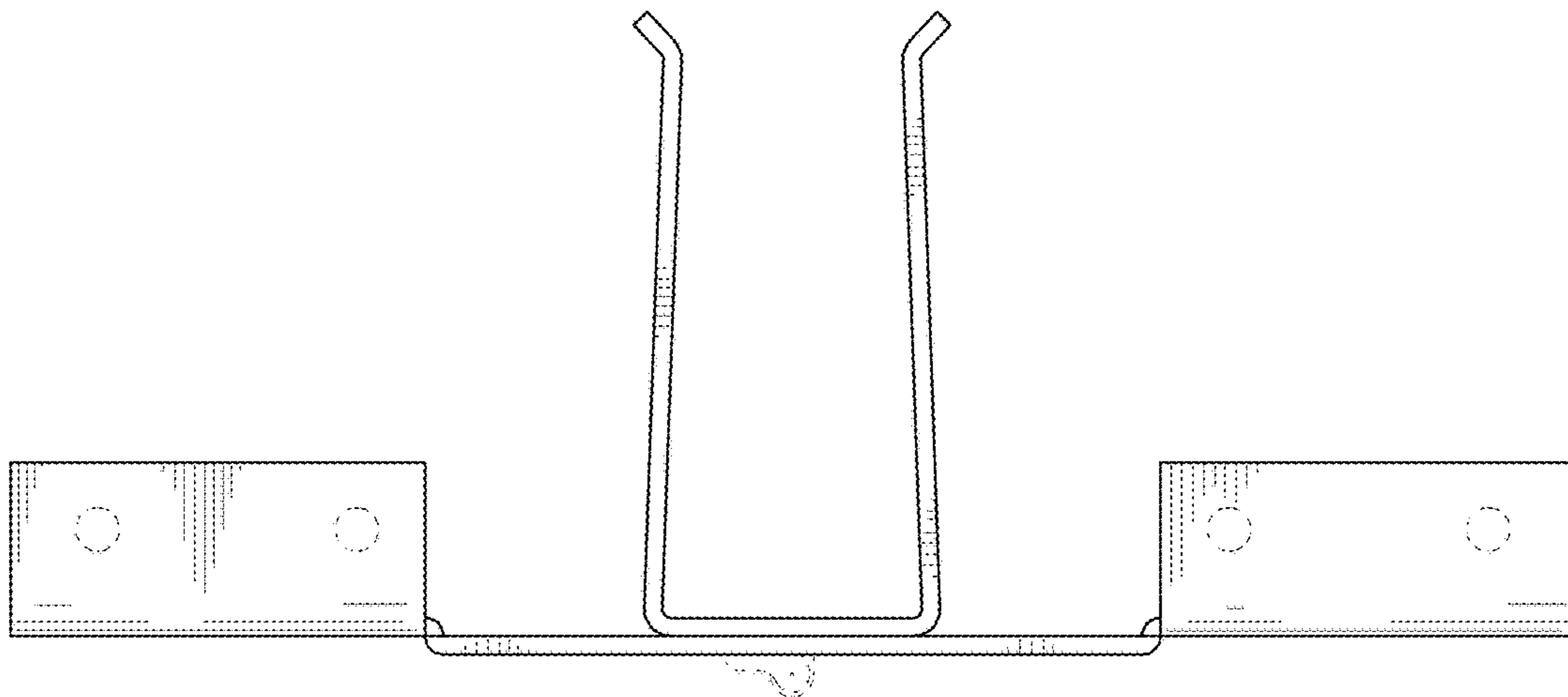


Fig. 3

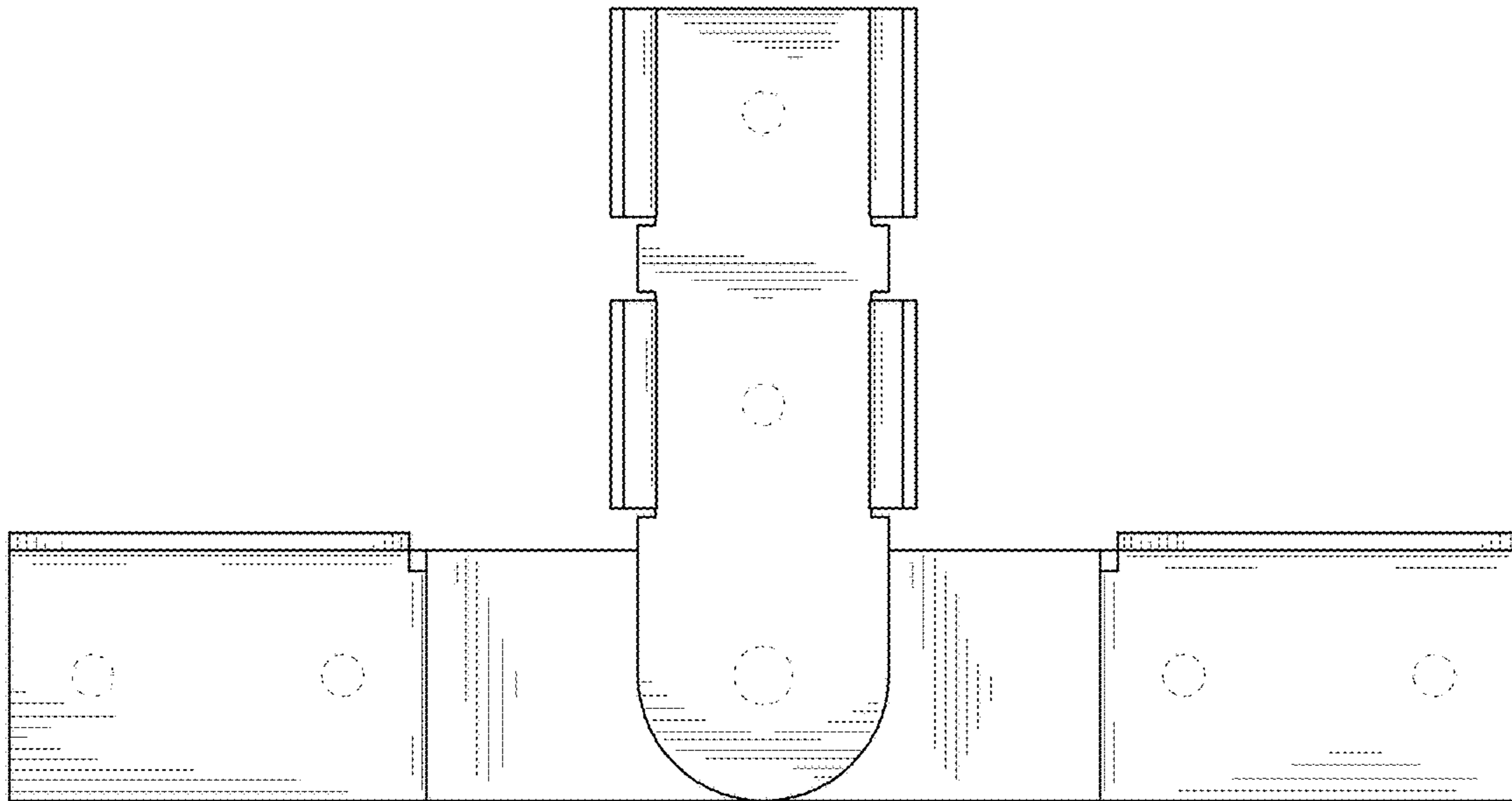


Fig. 4

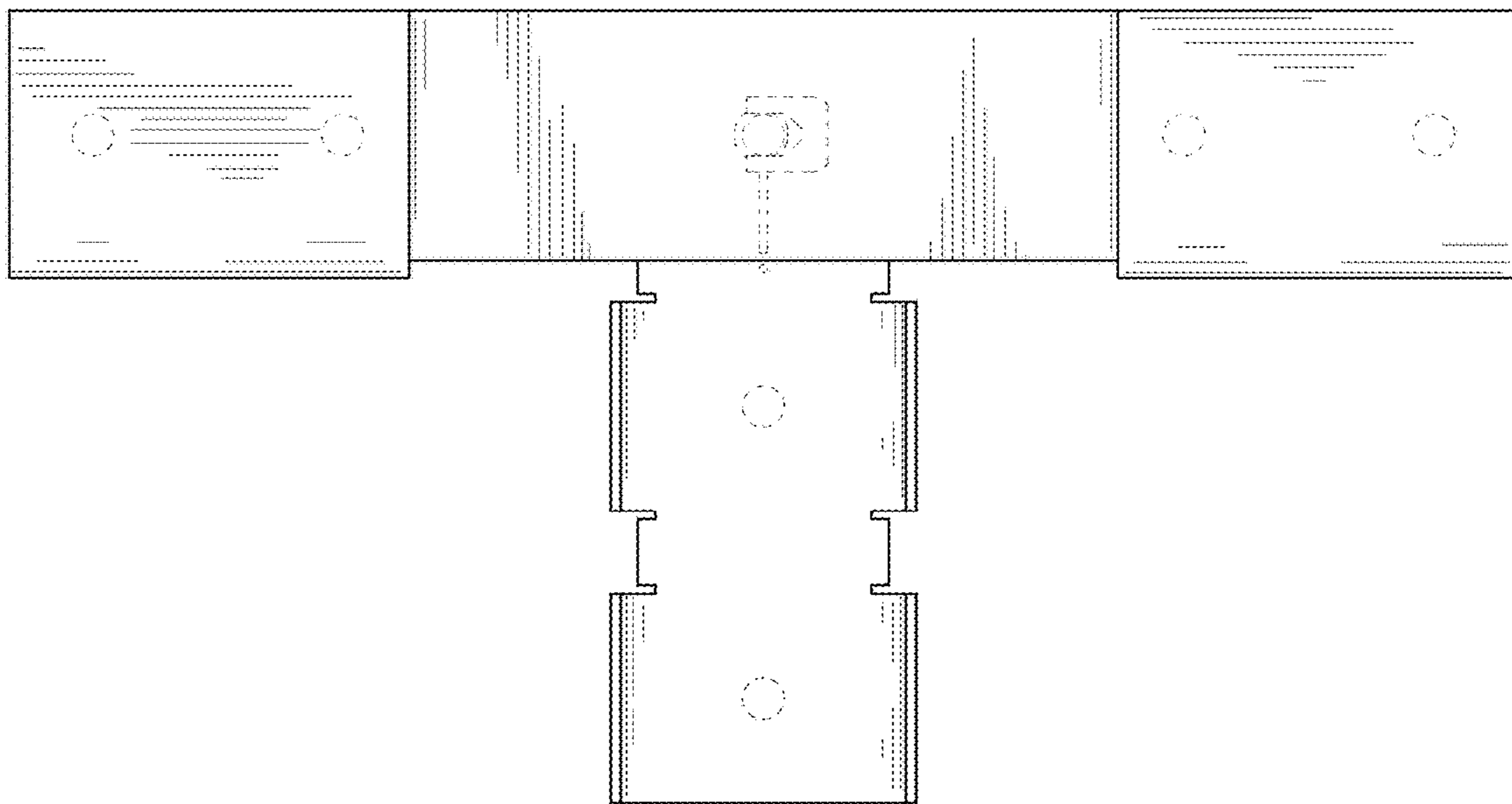


Fig. 5

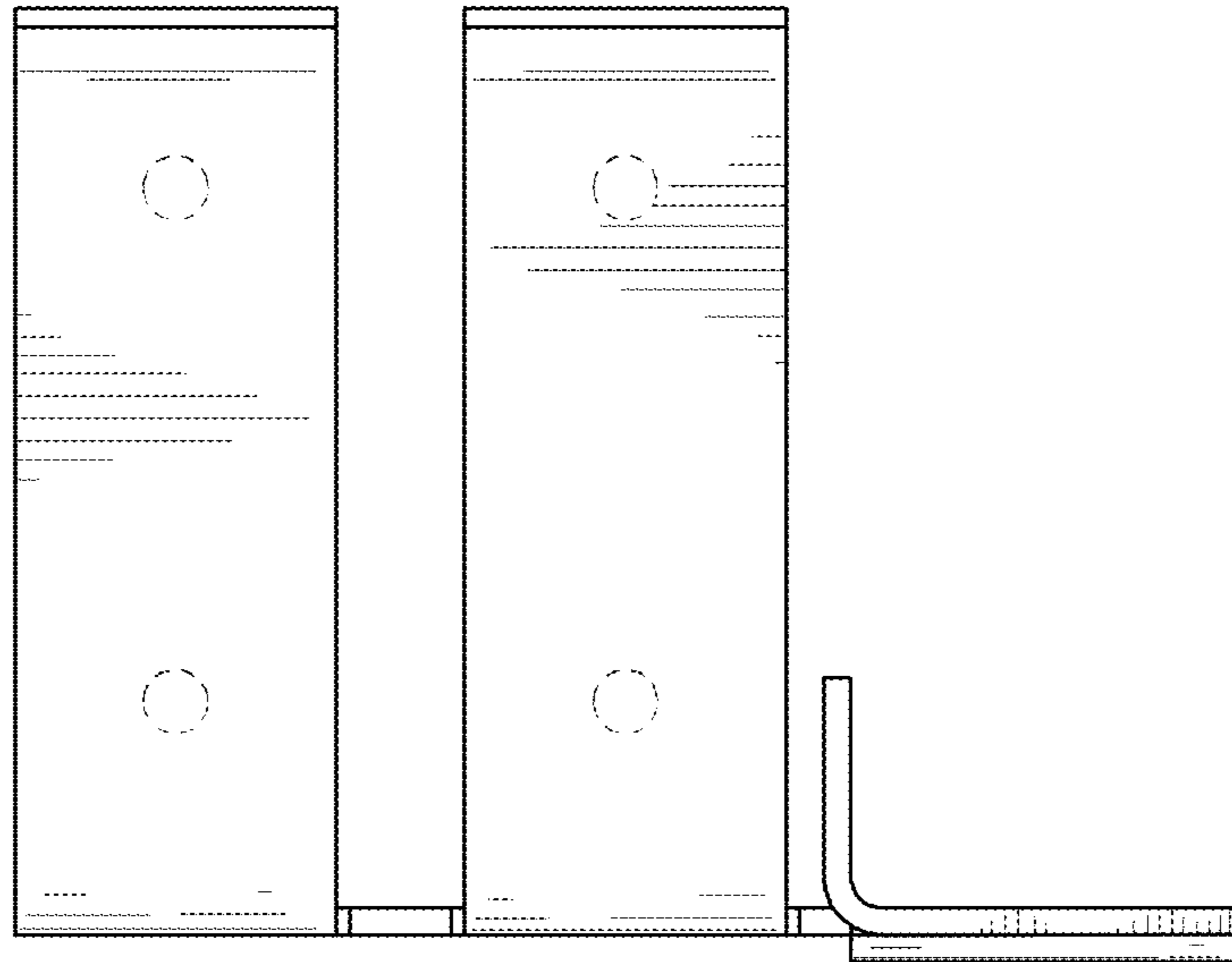


Fig. 6

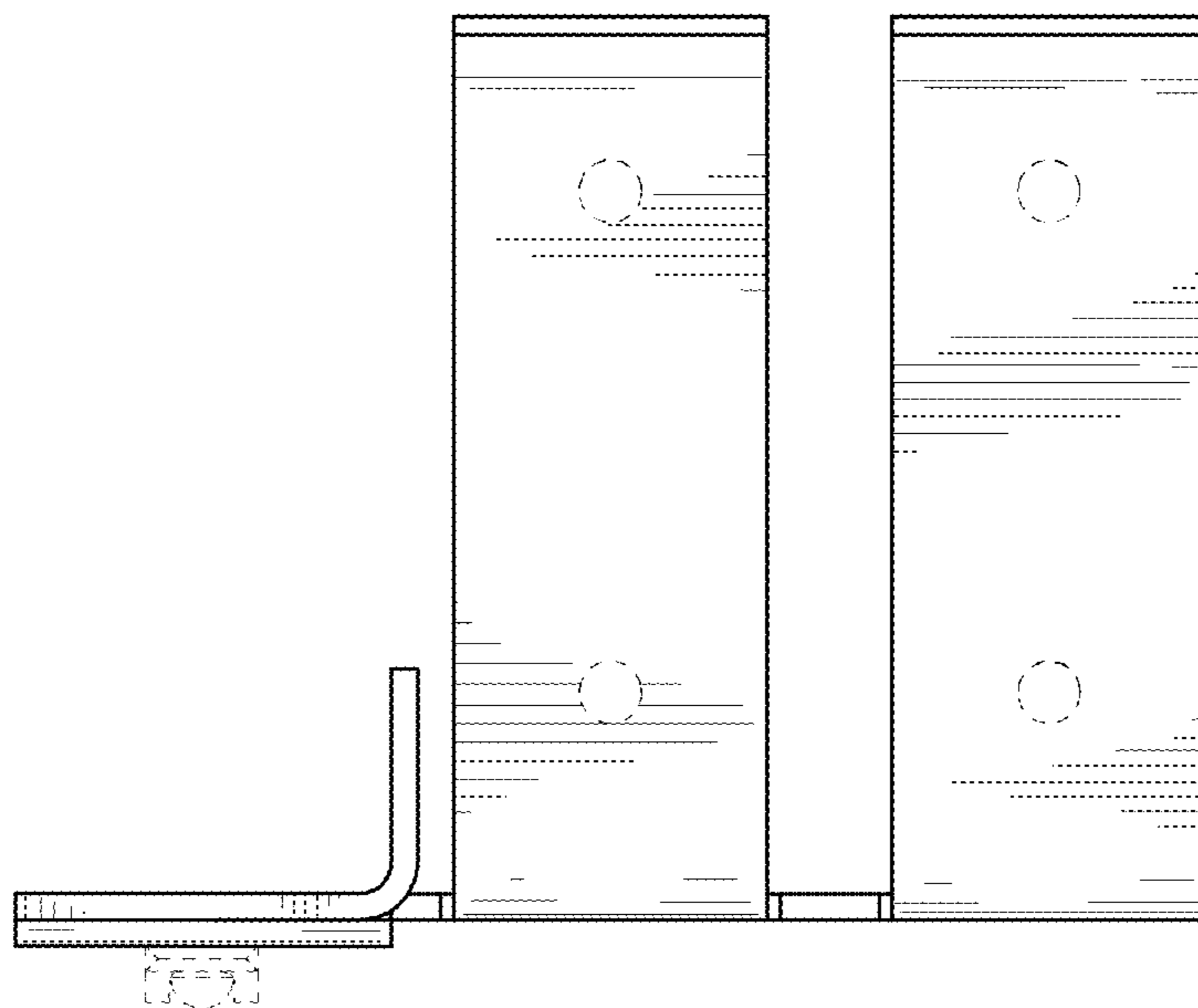


Fig. 7

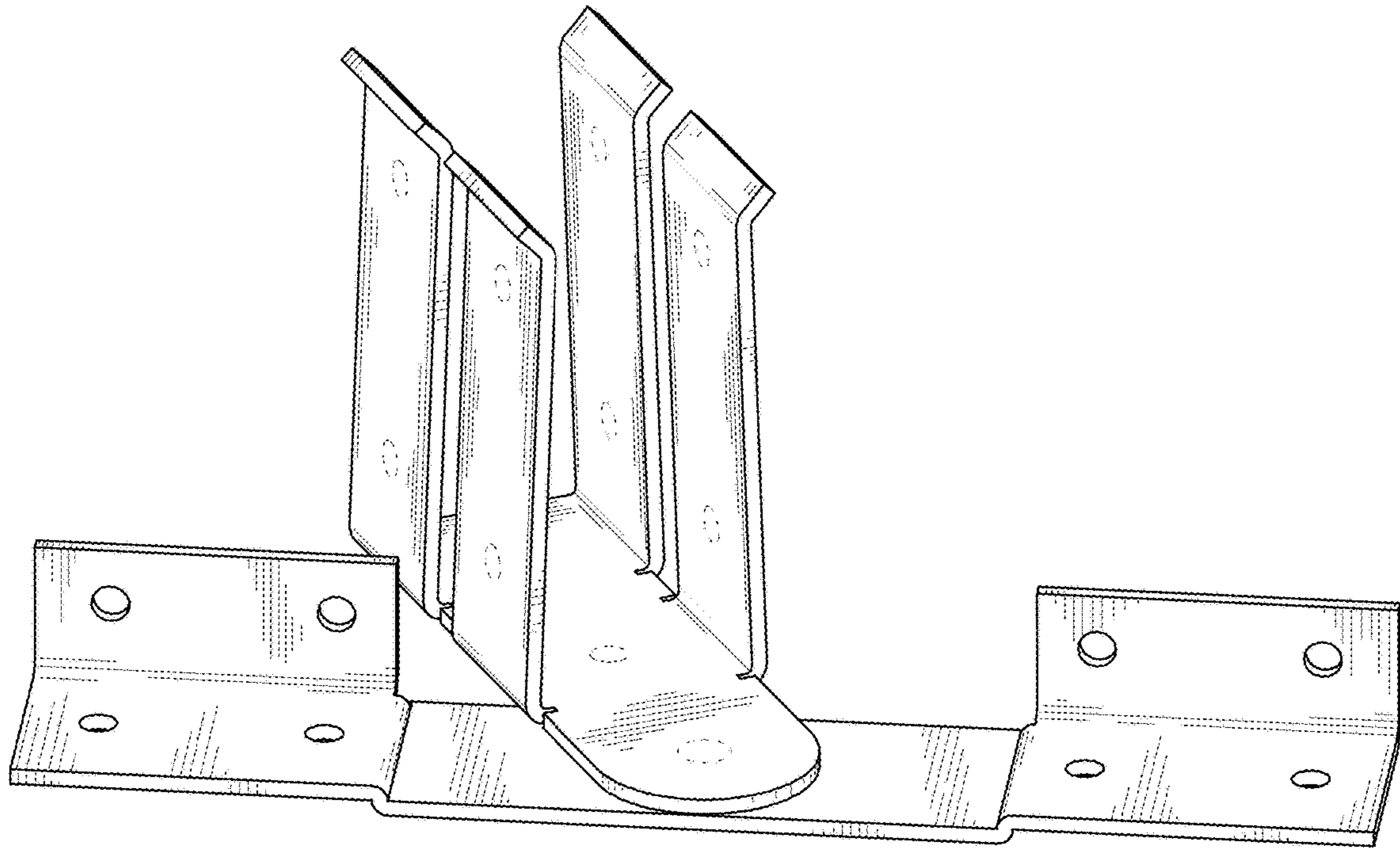


Fig. 8

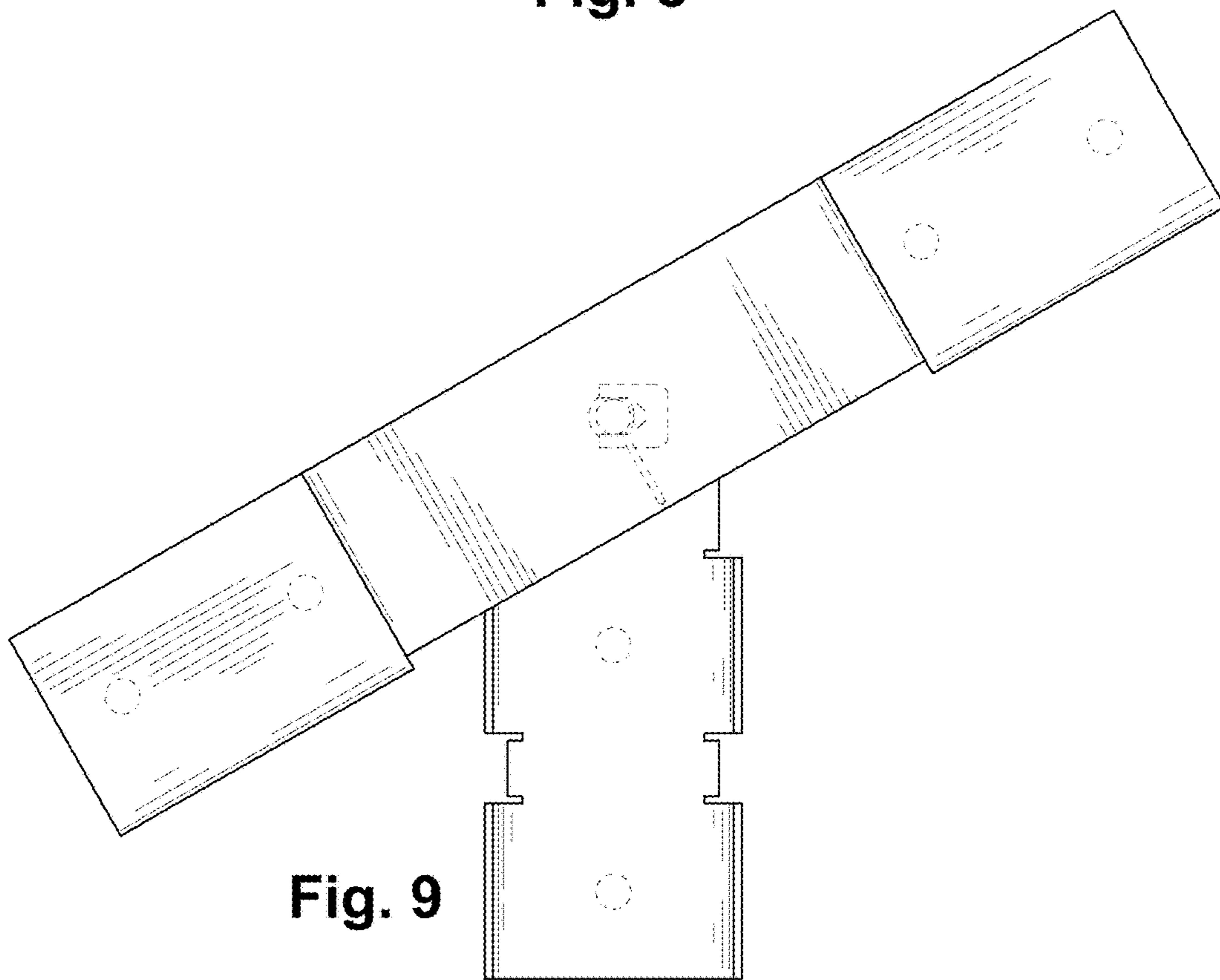


Fig. 9